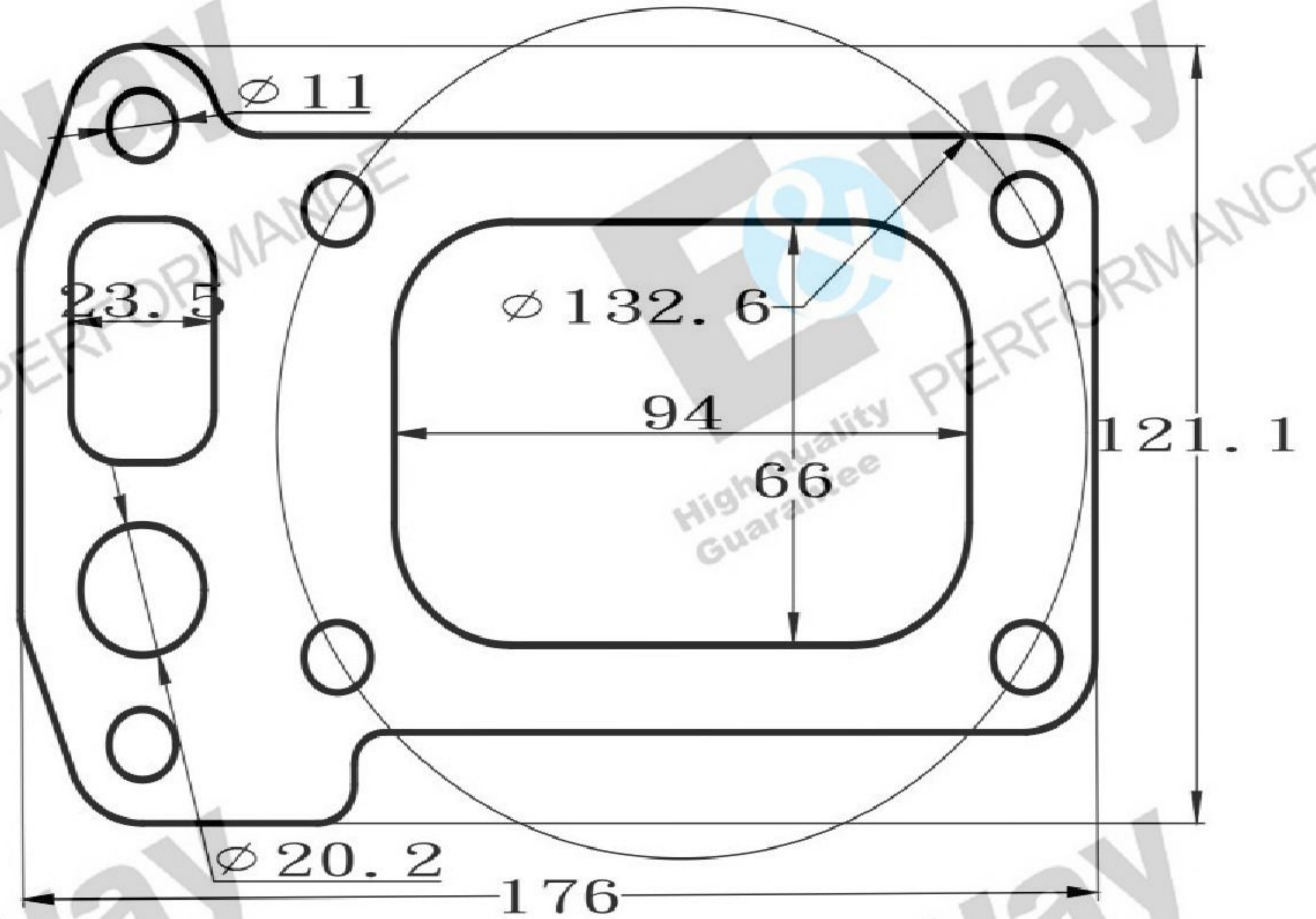


Other-Bolt Exhaust Flange/Muffler/Pipe Gasket P1

P1



Length=176/mm(6.92")

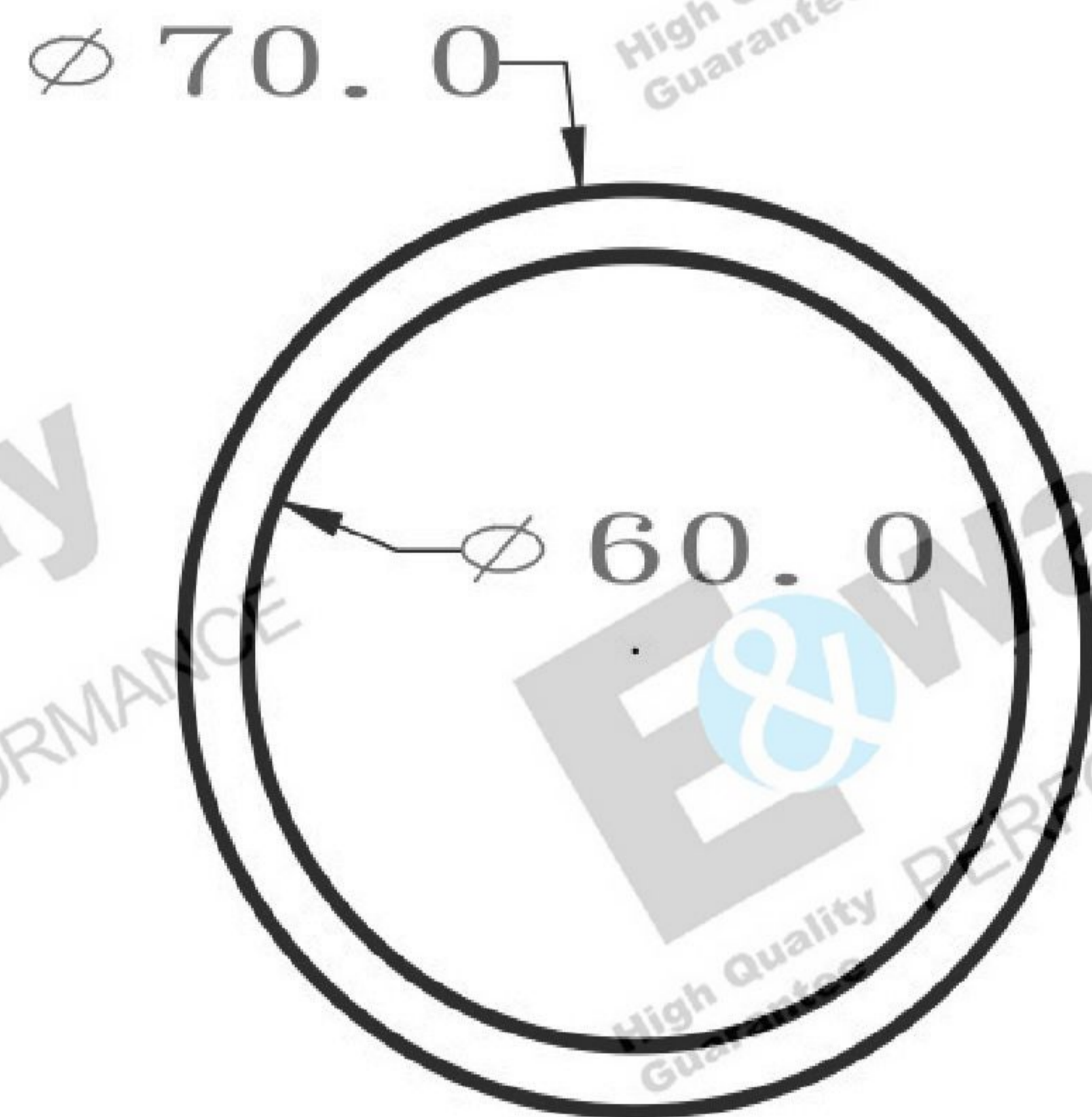
Width=121.1/mm(4.76")

Bolt Hole=11/mm(0.43")

Thickness=1.6~2.0/mm(0.06"~0.08")

Material:Graphite(Mixed Steel)+Stainless Steel(Hole)+Silicone Coated

EPO-001



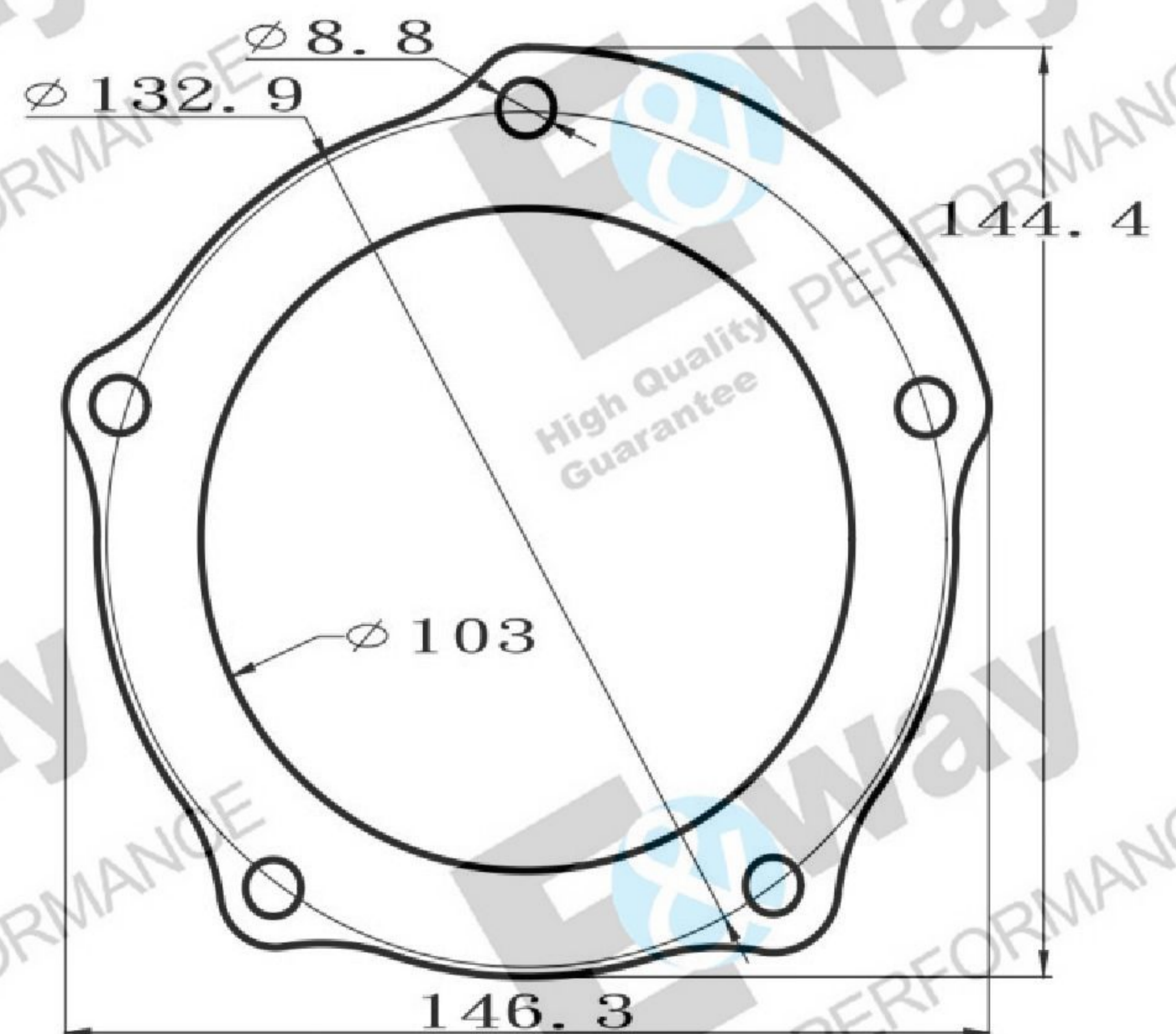
Inside Diameter(ID)=60/mm(2.36")

Outside Diameter(OD)=70/mm(2.76")

Thickness=1.6~2.0/mm(0.06"~0.08")

Material:Steel(Mixed Asbestos Free)

EPO-002



Inside Diameter(ID)=103/mm(4.05")

Bolt Circle=132.9/mm(5.23")

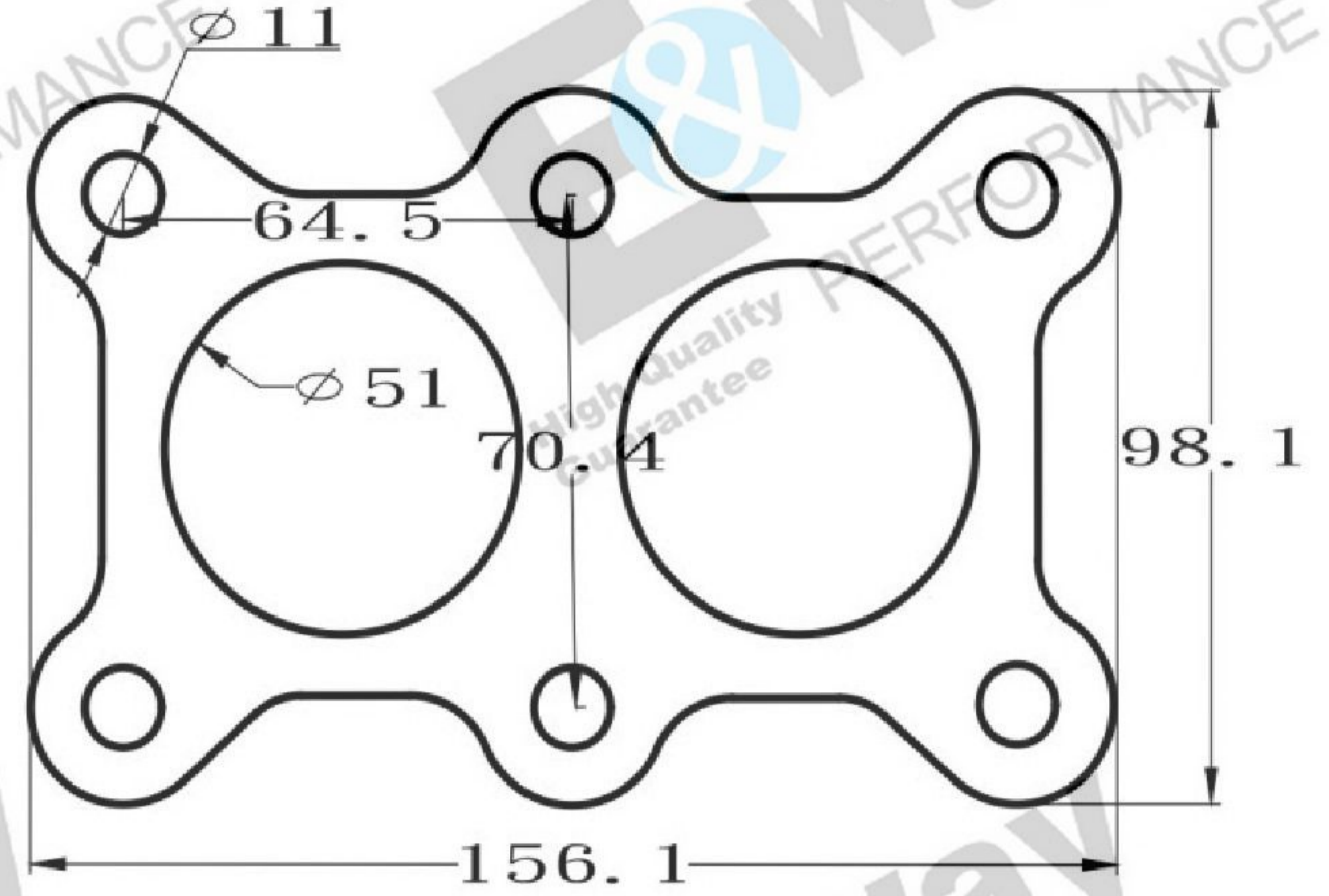
Bolt Hole=8.8/mm(0.34")

Thickness=1.6~2.0/mm(0.06"~0.08")

Material:Steel(Mixed Asbestos Free)

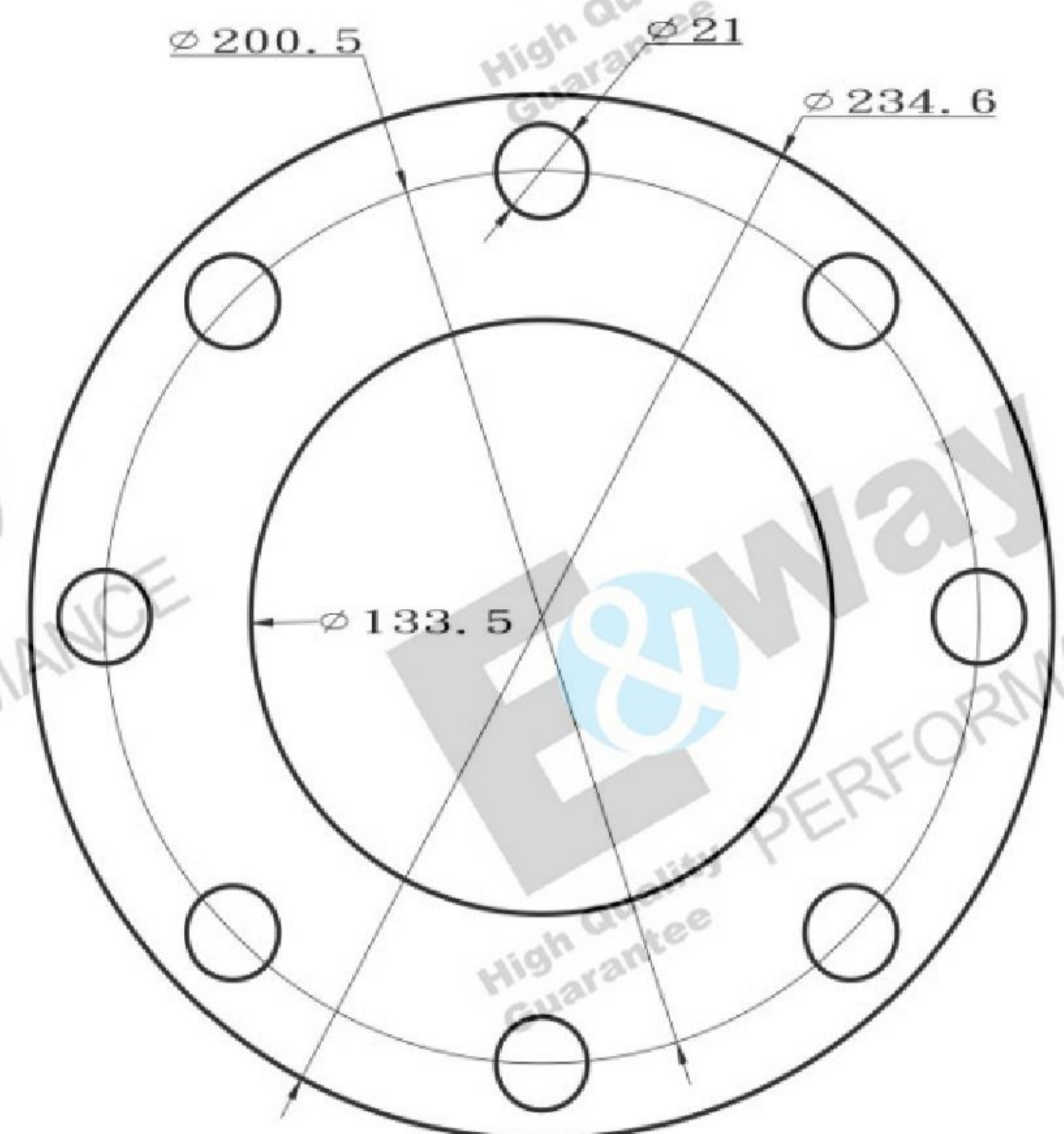
EPO-003

Other-Bolt Exhaust Flange/Muffler/Pipe Gasket P2



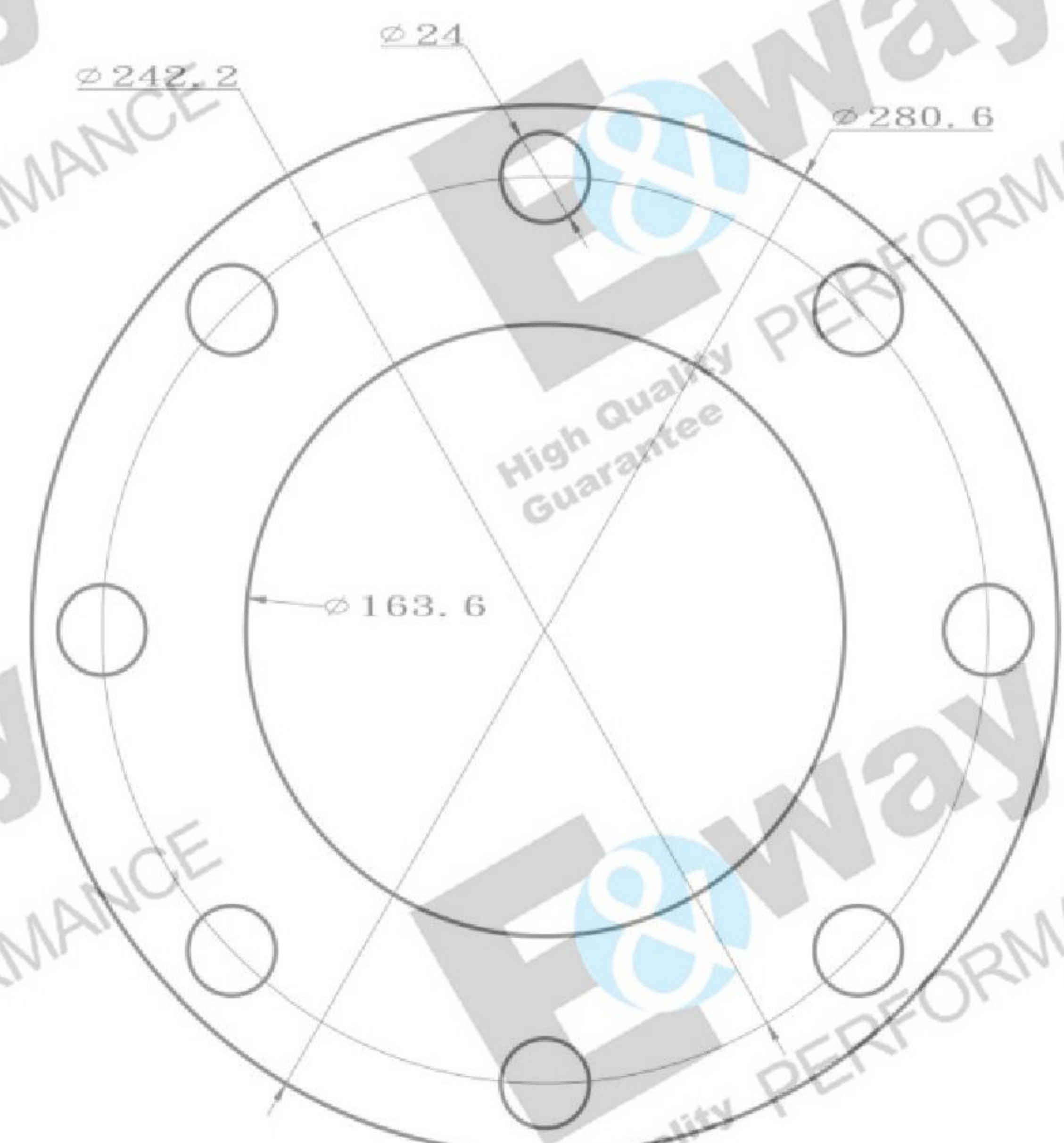
Inside Diameter(ID)=51/mm(2.00")
 Bolt To Bolt=64.5/mm(2.53")70.4/mm(2.77")
 Bolt Hole=11/mm(0.43")
 Thickness=1.6~2.0/mm(0.06"~0.08")
 Material:Steel(Mixed Asbestos Free)+Steel(2-Hole)

EPO-004



Inside Diameter(ID)=133.5/mm(5.25")
 Outside Diameter(OD)=234.6/mm(9.23")
 Bolt Circle=200.5/mm(7.89")
 Bolt Hole=21/mm(0.82")
 Thickness=1.6~2.0/mm(0.06"~0.08")
 Material:Graphite(Mixed Steel)

EPO-005



Inside Diameter(ID)=163.6/mm(6.44")
 Outside Diameter(OD)=280.6/mm(11.05")
 Bolt Circle=242.2/mm(9.53")
 Bolt Hole=24/mm(0.94")
 Thickness=1.6~2.0/mm(0.06"~0.08")
 Material:Graphite(Mixed Steel)

EPO-006

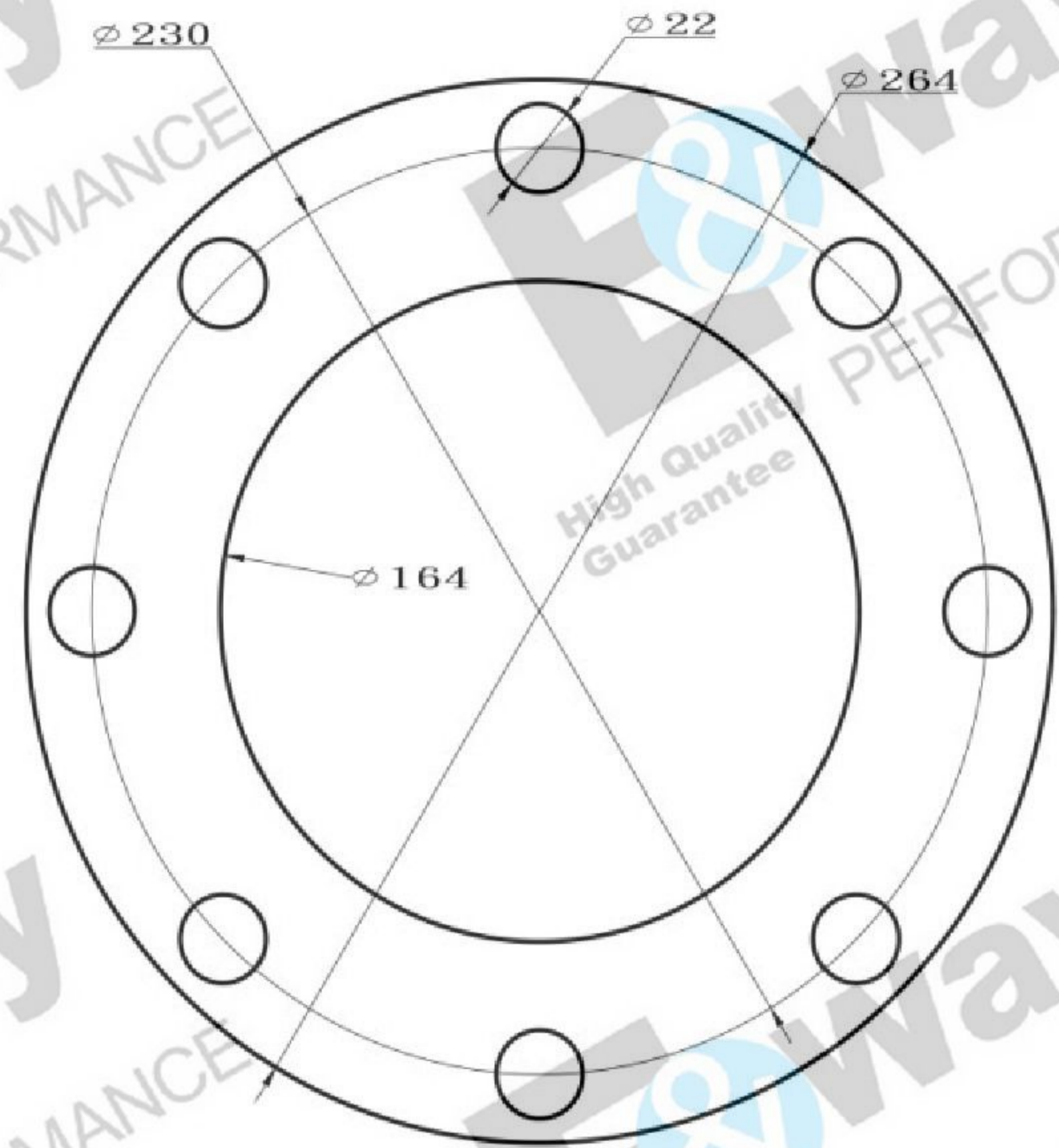
Other-Bolt Exhaust Flange/Muffler/Pipe Gasket

P3



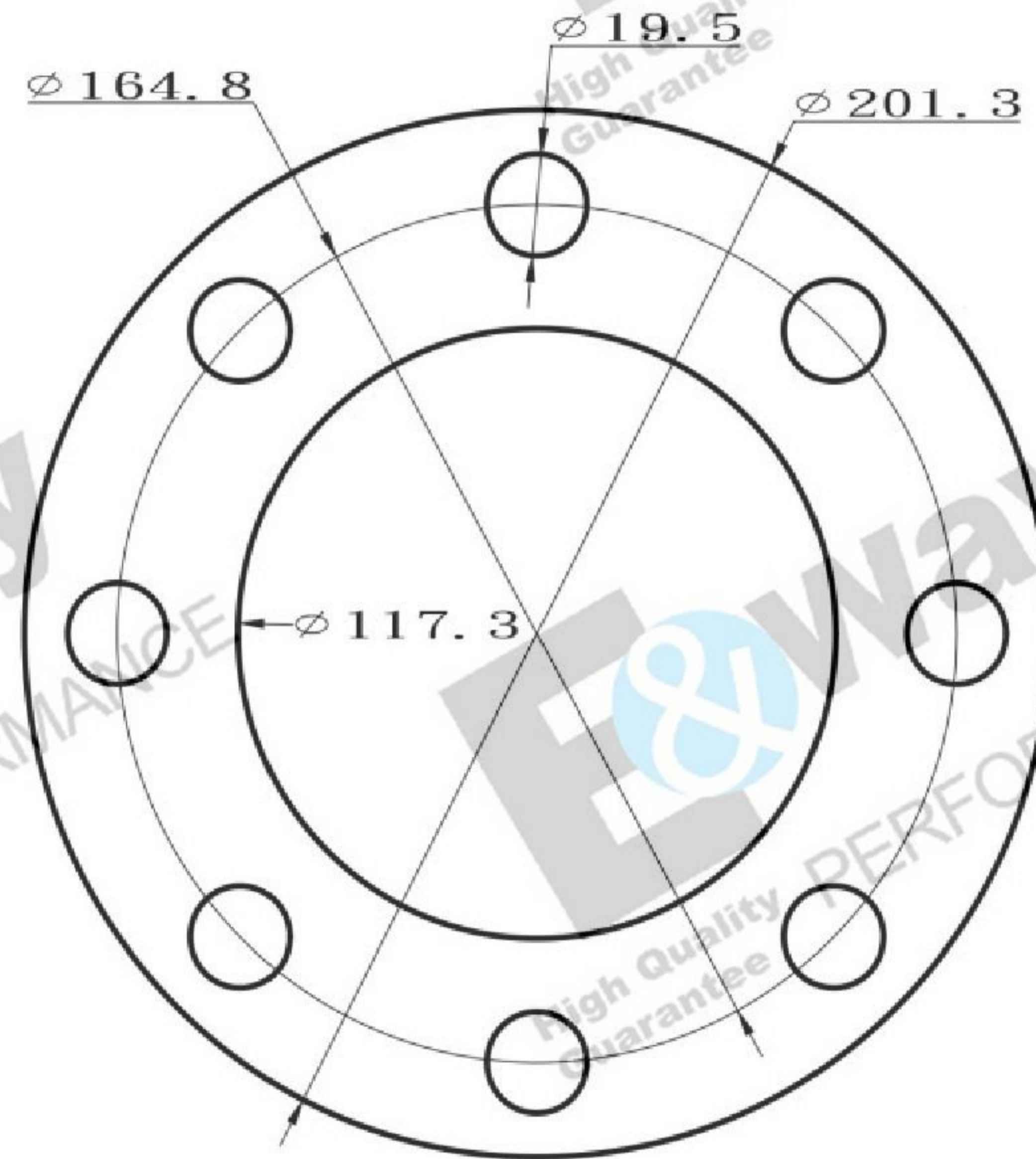
Inside Diameter(ID)=164/mm(6.45")
Outside Diameter(OD)=264/mm(10.39")
Bolt Circle=230/mm(9.05")
Bolt Hole=22/mm(0.86")
Thickness=1.6~2.0/mm(0.06"~0.08")
Material:Graphite(Mixed Steel)

EPO-007



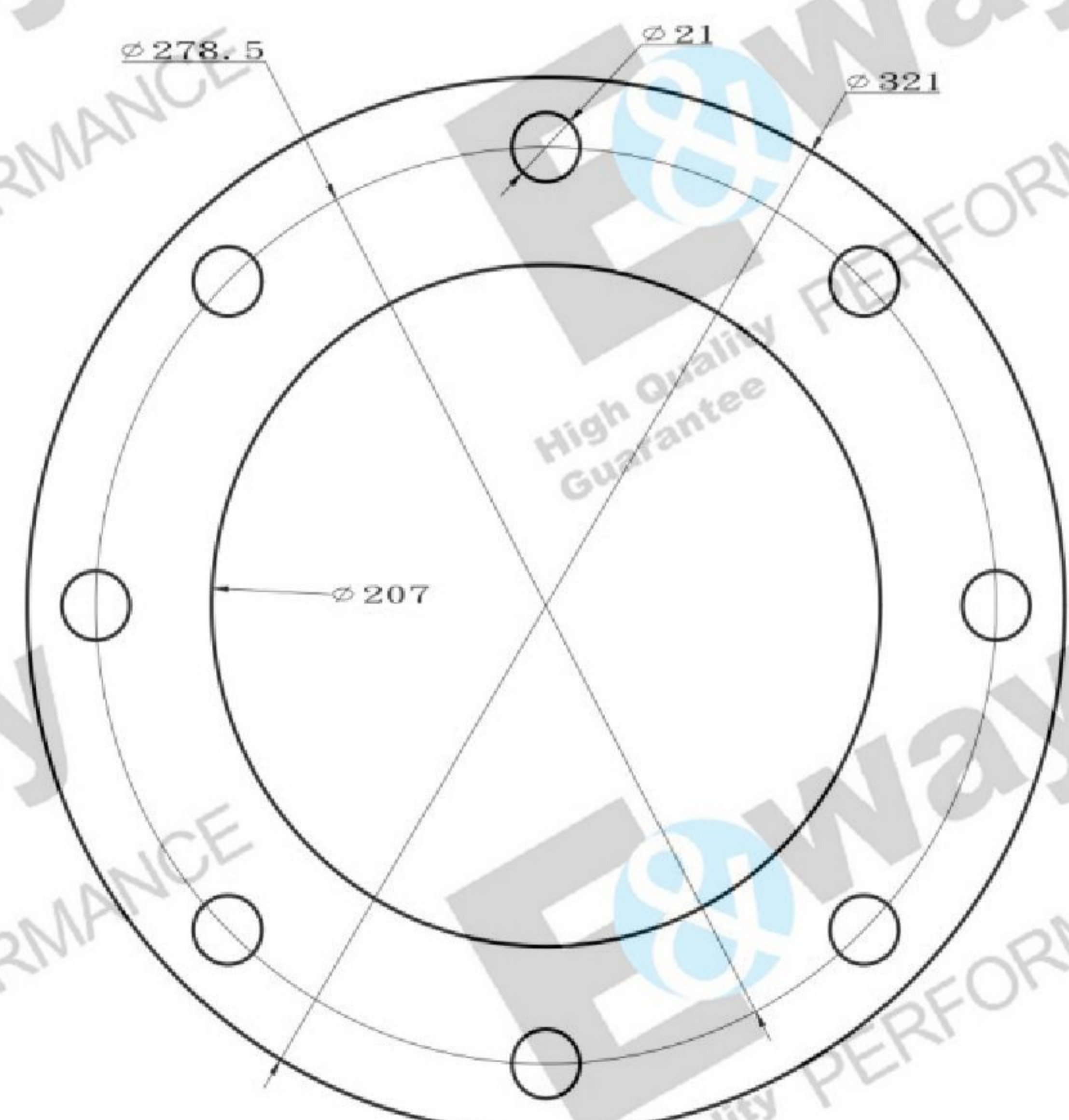
Inside Diameter(ID)=117.3/mm(4.61")
Outside Diameter(OD)=201.3/mm(7.93")
Bolt Circle=164.8/mm(6.48")
Bolt Hole=19.5/mm(0.76")
Thickness=1.6~2.0/mm(0.06"~0.08")
Material:Graphite(Mixed Steel)

EPO-008



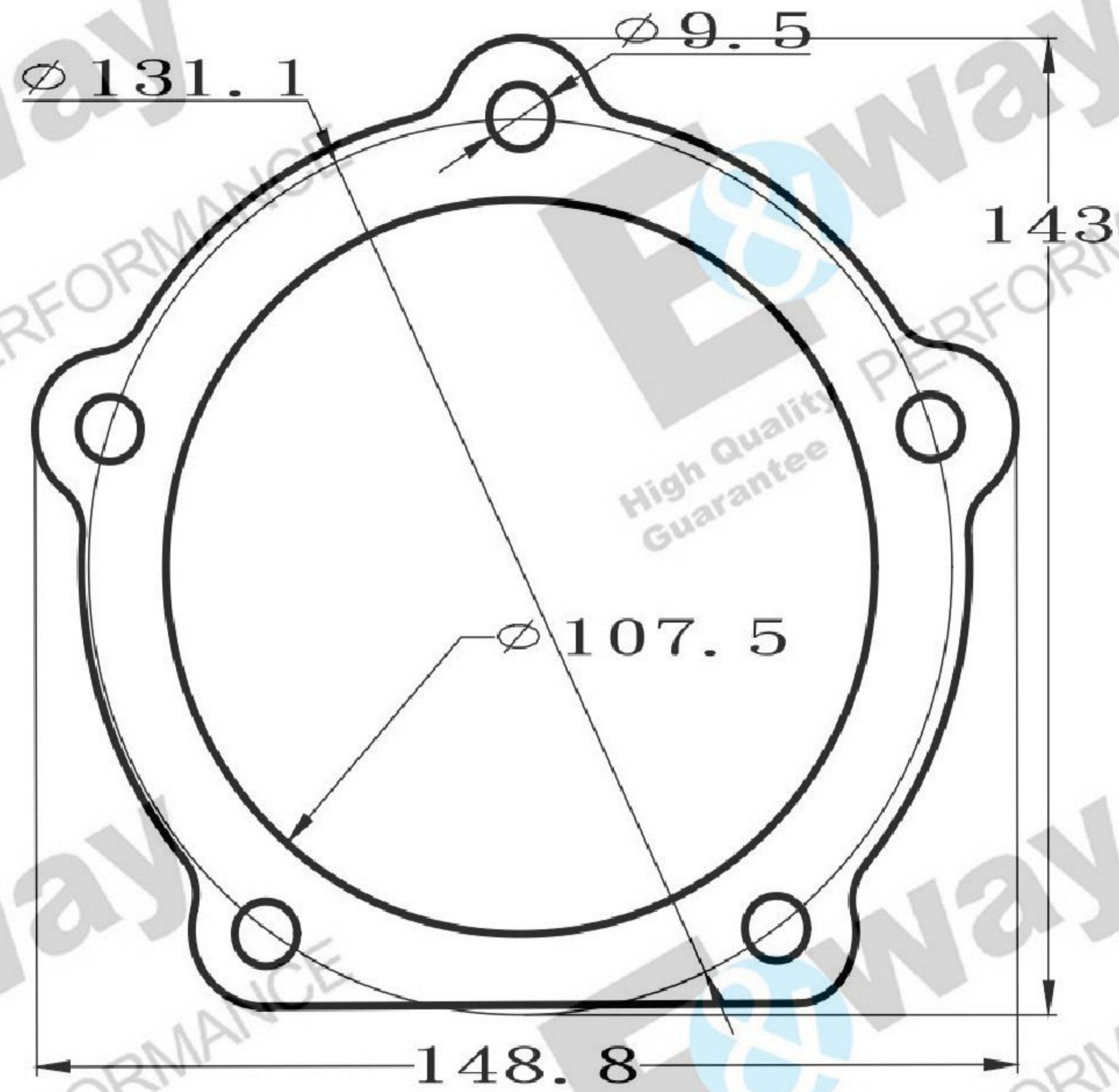
Inside Diameter(ID)=207/mm(8.14")
Outside Diameter(OD)=321/mm(12.64")
Bolt Circle=278.5/mm(10.96")
Bolt Hole=21/mm(0.82")
Thickness=1.6~2.0/mm(0.06"~0.08")
Material:Graphite(Mixed Steel)

EPO-009



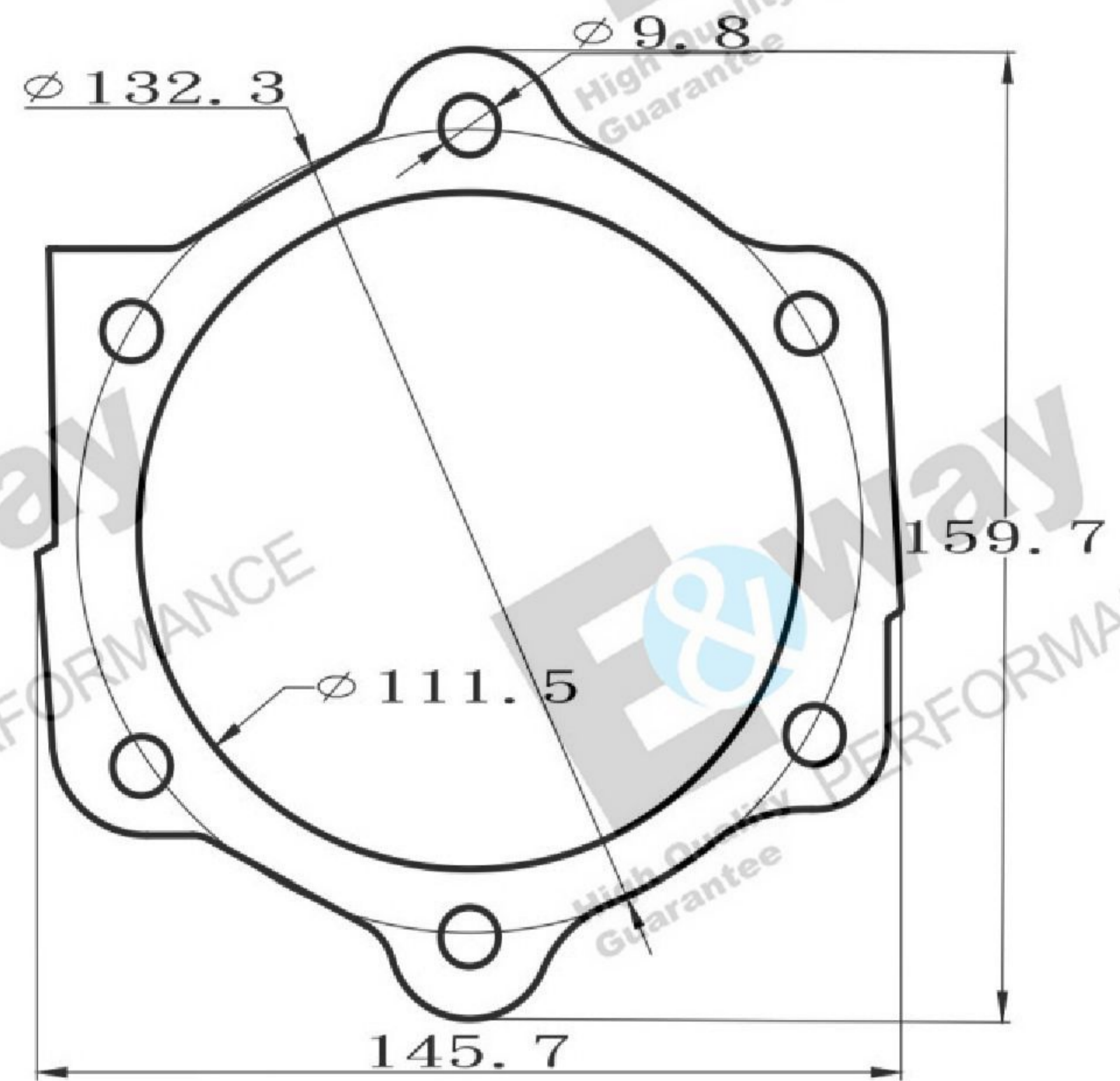
Other-Bolt Exhaust Flange/Muffler/Pipe Gasket P4

P4



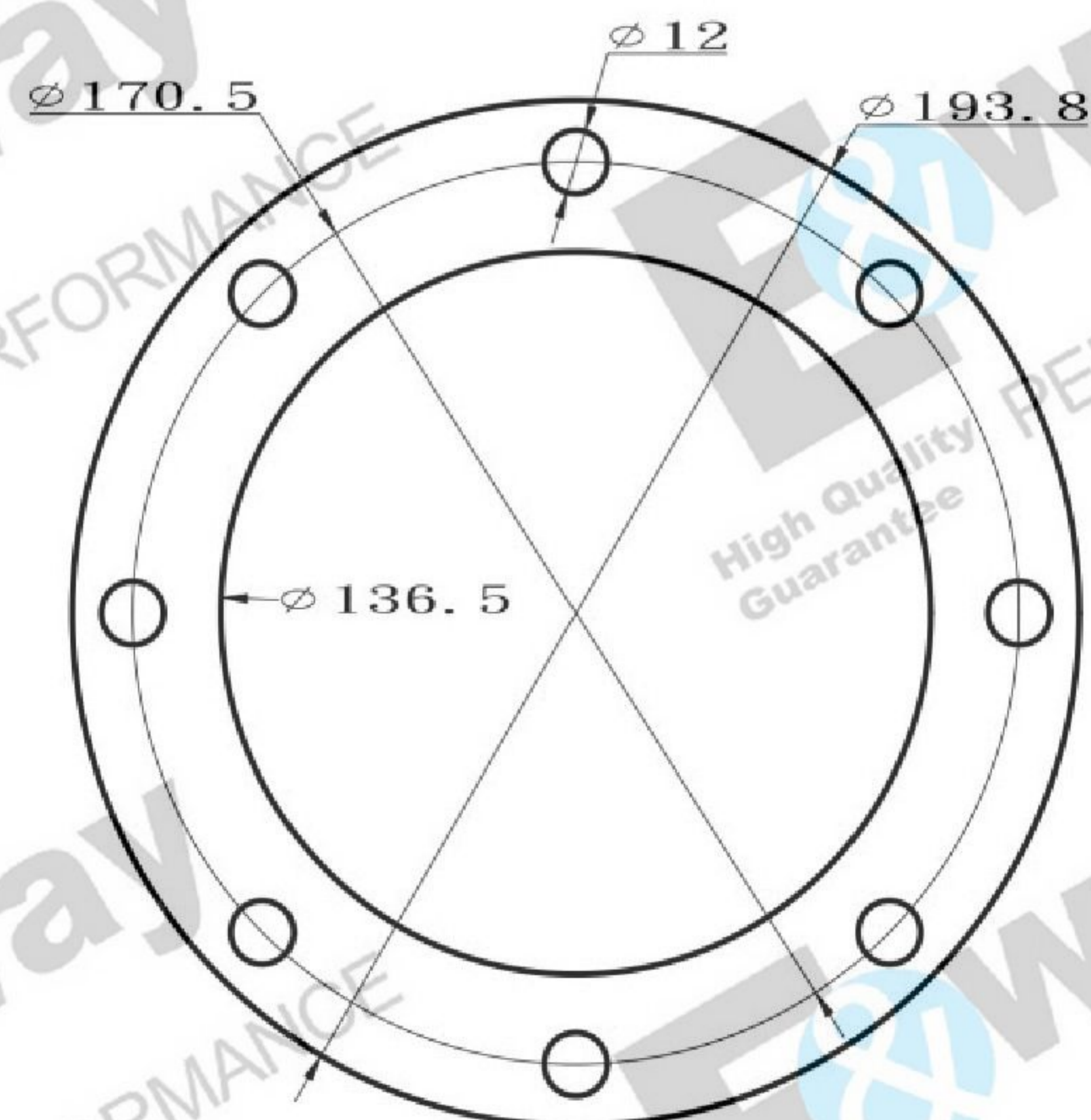
Inside Diameter(ID)=107.5/mm(4.23")
 Bolt Circle=131.1/mm(5.16")
 Bolt Hole=9.5/mm(0.37")
 Thickness=1.6~2.0/mm(0.06"~0.08")
 Material:Steel(Mixed Asbestos Free)

EPO-010



Inside Diameter(ID)=111.5/mm(4.38")
 Bolt Circle=132.3/mm(5.21")
 Bolt Hole=9.8/mm(0.38")
 Thickness=1.6~2.0/mm(0.06"~0.08")
 Material:Steel(Mixed Asbestos Free)

EPO-011

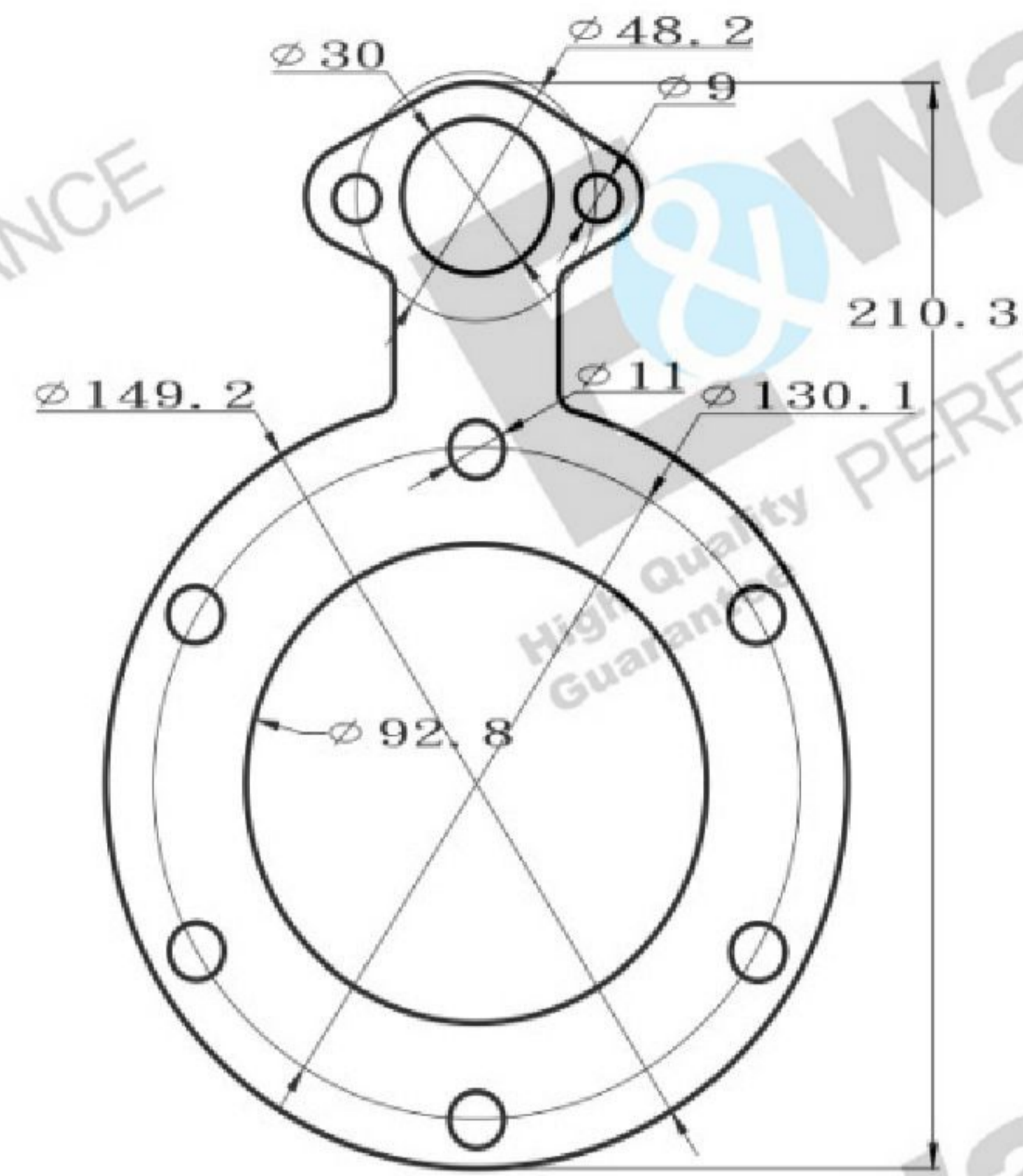


Inside Diameter(ID)=136.5/mm(5.37")
 Outside Diameter(OD)=193.8/mm(7.63")
 Bolt Circle=170.5/mm(6.71")
 Bolt Hole=12/mm(0.47")
 Thickness=1.6~2.0/mm(0.06"~0.08")
 Material:Graphite(Mixed Steel)+Stainless Steel(Hole)+Silicone Coated

EPO-012

Other-Bolt Exhaust Flange/Muffler/Pipe Gasket P5

P5



Inside Diameter(ID)=92.8/mm(3.65")

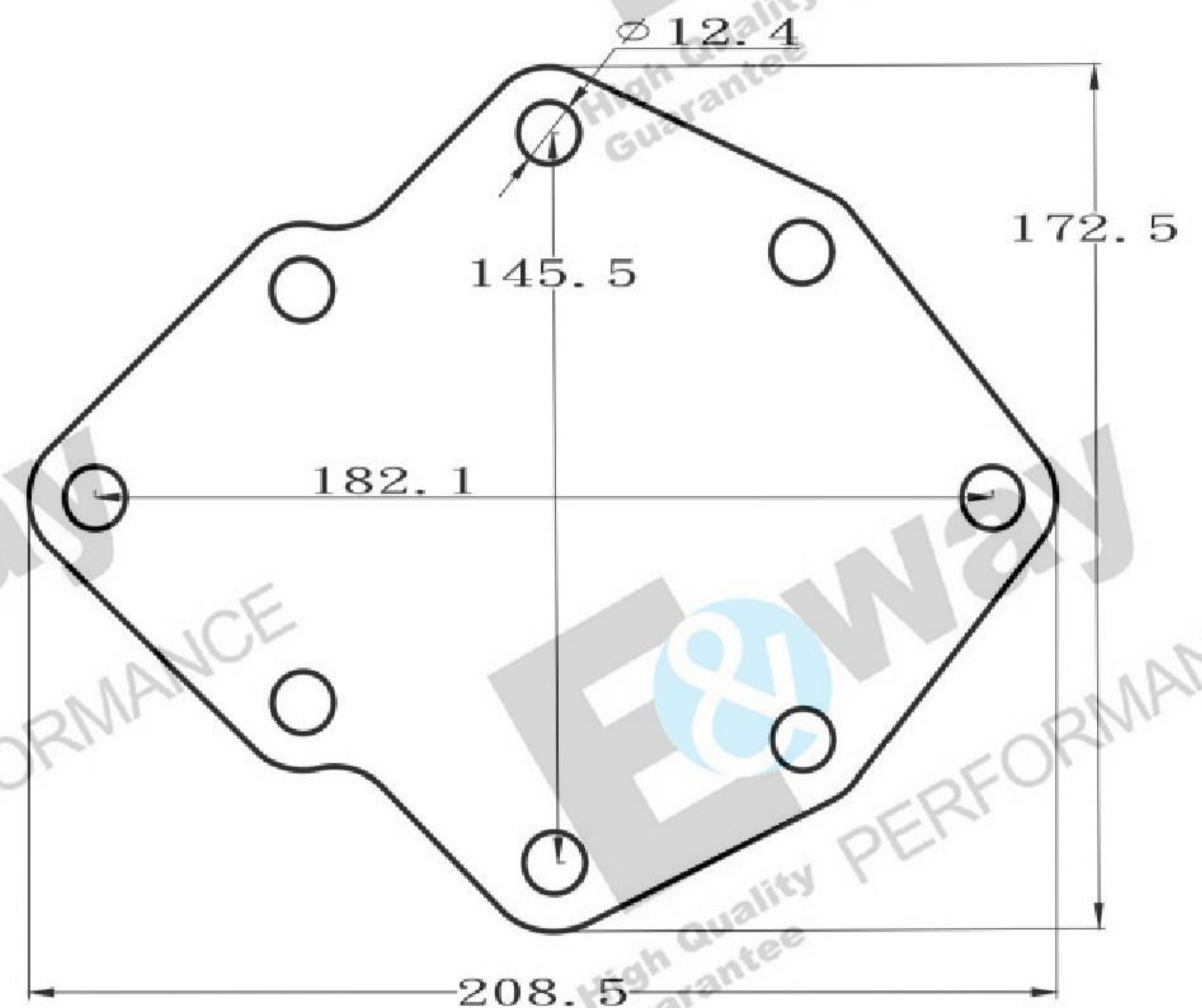
Bolt Circle=130.1/mm(5.12")

Bolt Hole=9/mm(0.35")11/mm(0.43")

Thickness=1.6~2.0/mm(0.06"~0.08")

Material:Graphite(Mixed Steel)+Stainless Steel(Hole)+Silicone Coated

EPO-013



Length=208.5/mm(8.20")

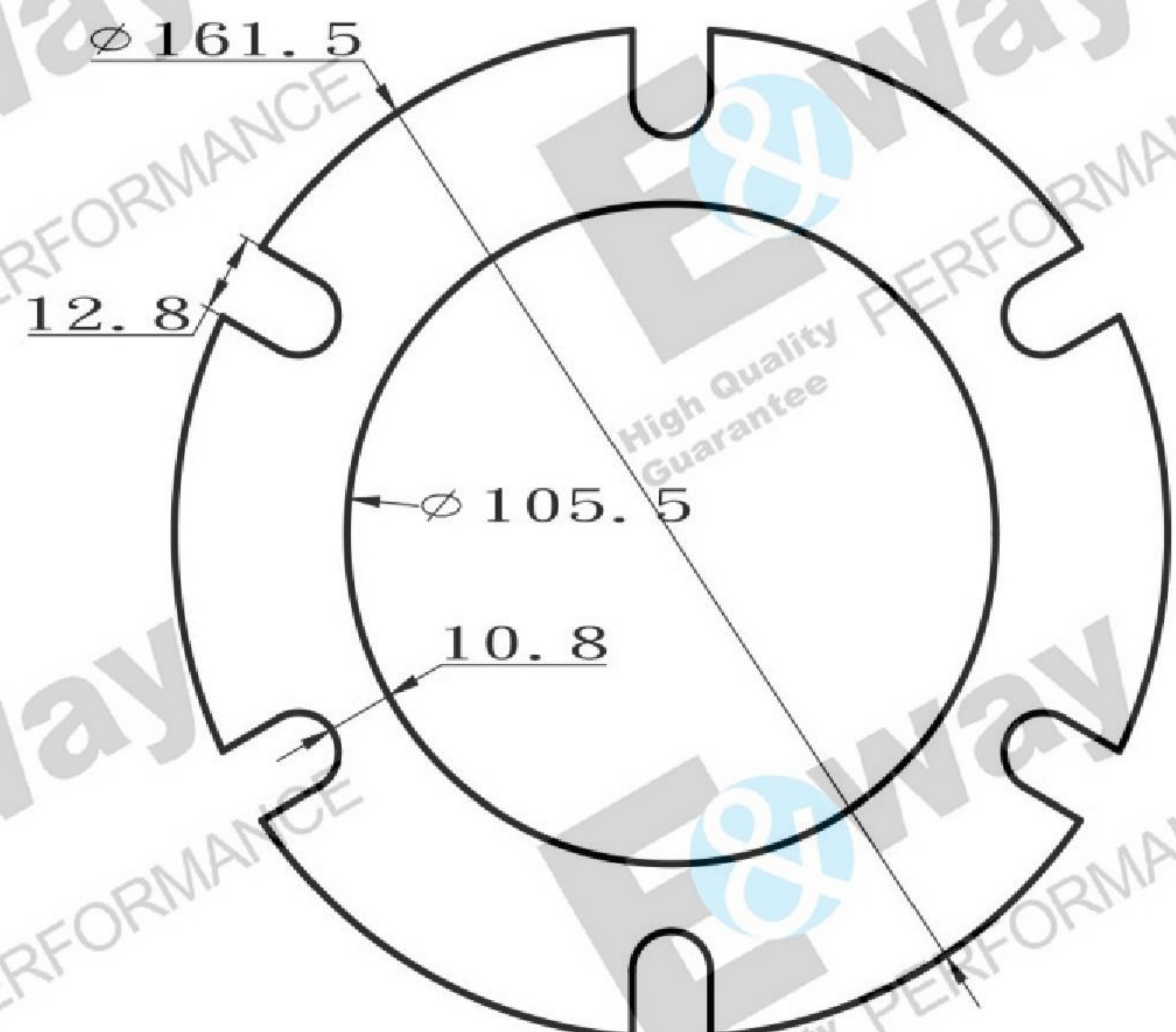
Width=172.5/mm(6.79")

Bolt Hole=12.4/mm(0.48")

Thickness=1.6~2.0/mm(0.06"~0.08")

Material:Graphite(Mixed Steel)+Steel+Silicone Coated

EPO-014



Inside Diameter(ID)=105.5/mm(4.15")

Outside Diameter(OD)=161.5/mm(6.36")

Bolt Hole=12.8/mm(0.50")

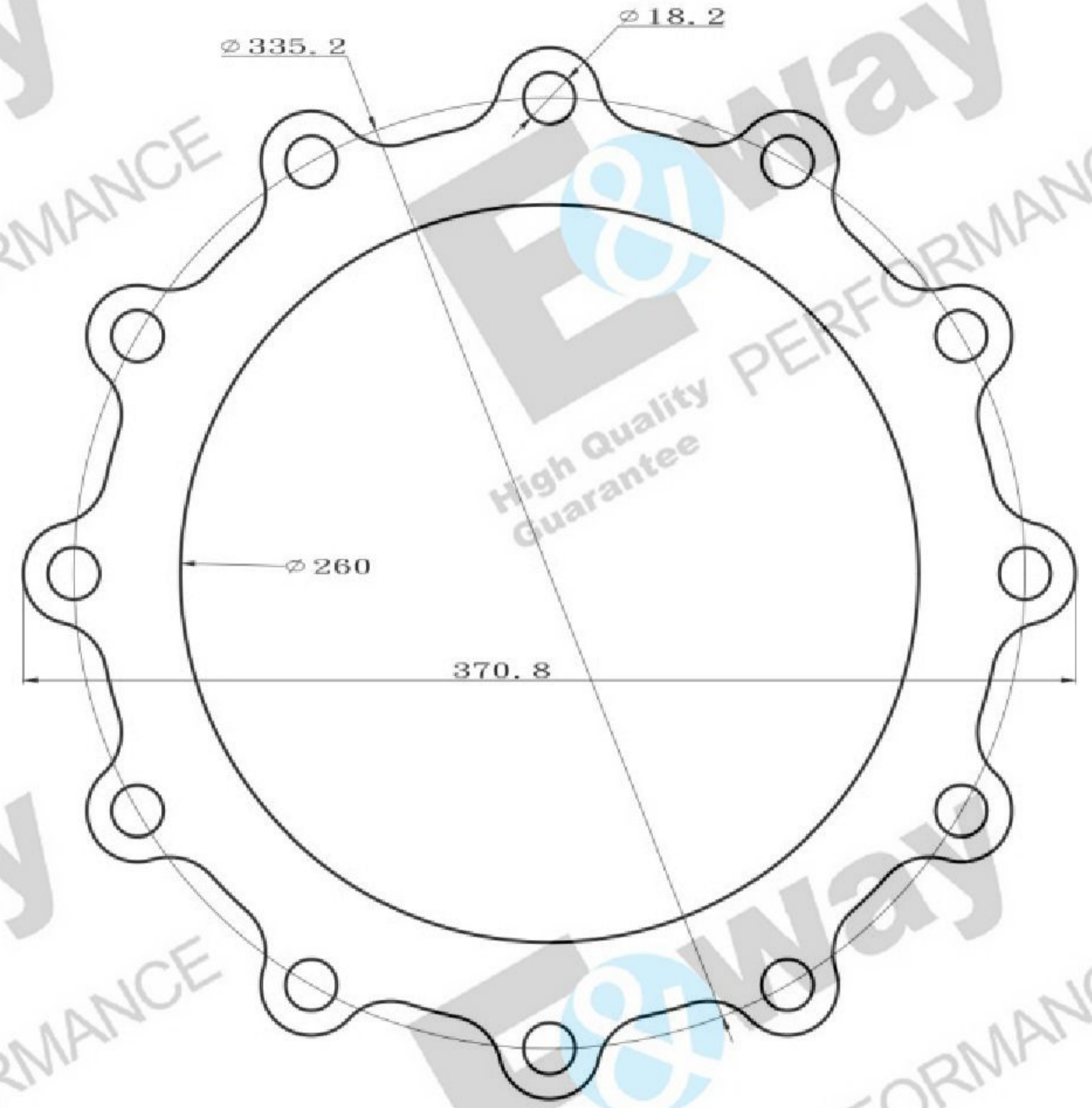
Thickness=1.6~2.0/mm(0.06"~0.08")

Material:Graphite(Mixed Steel)

EPO-015

Other-Bolt Exhaust Flange/Muffler/Pipe Gasket

P6



Inside Diameter(ID)=260/mm(10.23")
Outside Diameter(OD)=370.8/mm(14.59")
Bolt Circle=335.2/mm(13.19")
Bolt Hole=18.2/mm(0.71")
Thickness=0.3~0.4/mm(0.012"~0.016")
Material:Stainless Steel(Single-Layer)

EPO-016