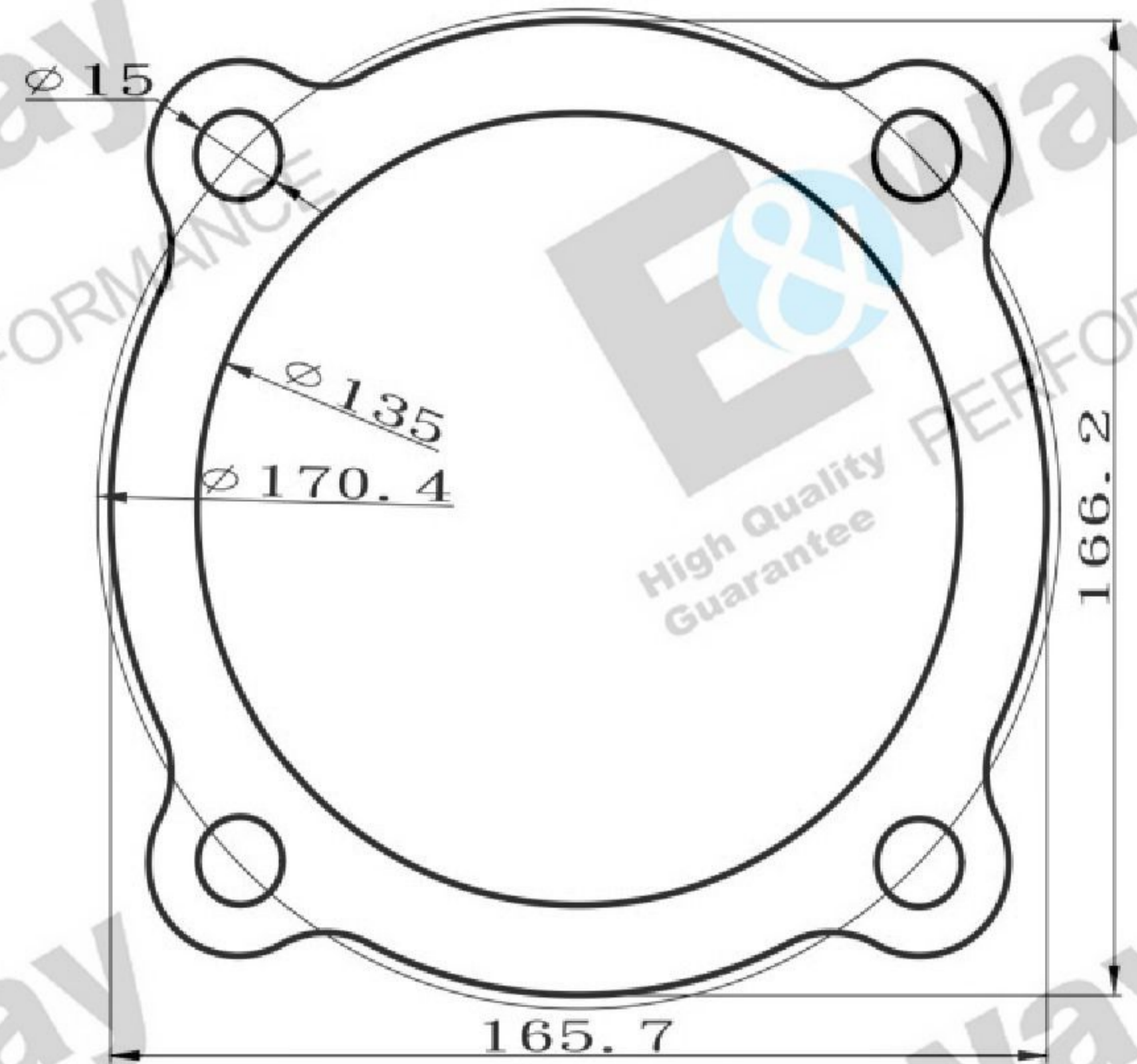


4-Bolt Exhaust Flange/Muffler/Pipe Gasket P1

P1



Inside Diameter(ID)=135/mm(5.31")

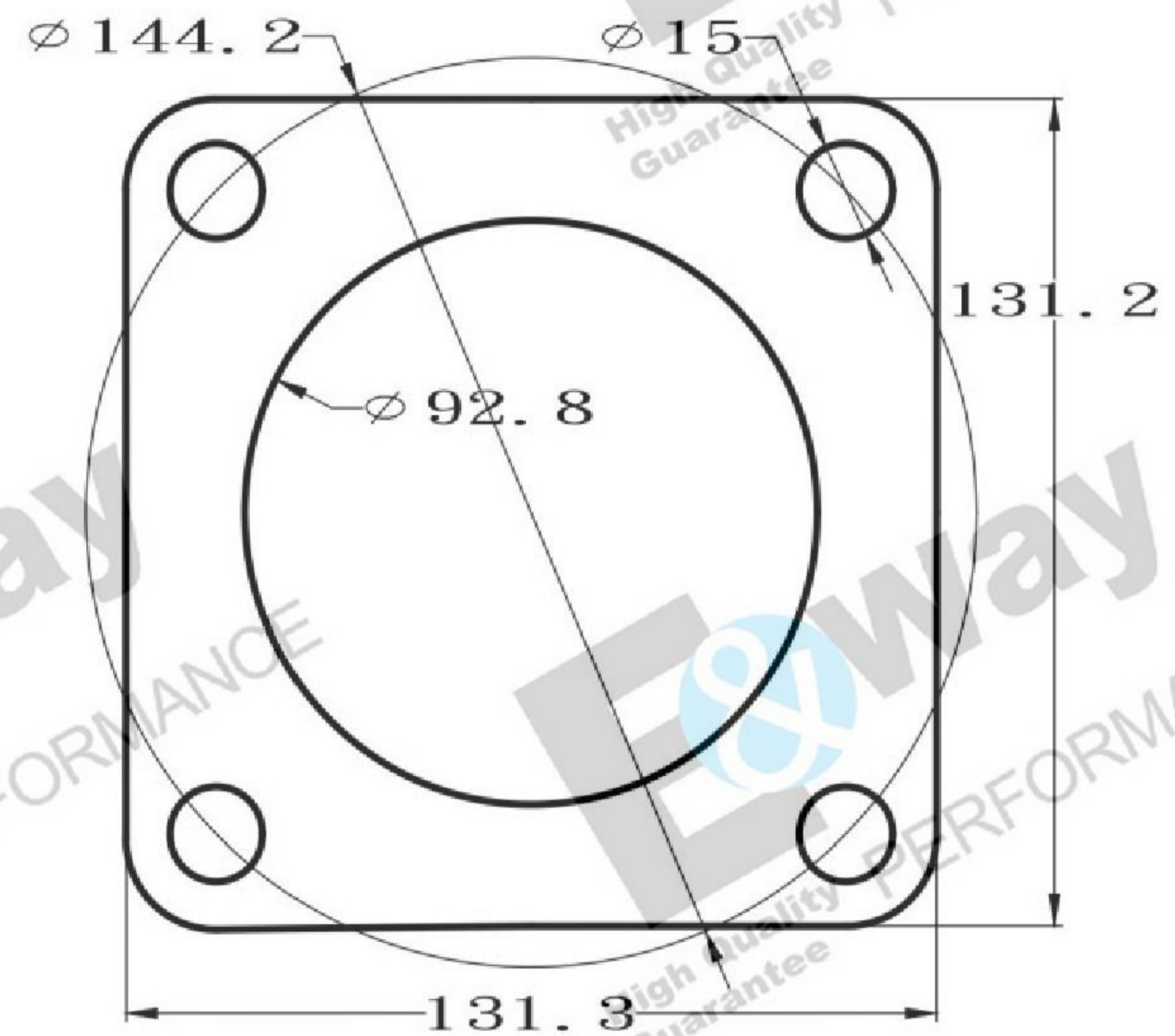
Bolt Circle=170.4/mm(6.7")

Bolt Hole=15/mm(0.59")

Thickness=1.6~2.0/mm(0.06"~0.08")

Material:Graphite(Mixed Steel)+Copper+Steel(MoS2 Coated)

EP4-001



Inside Diameter(ID)=92.8/mm(3.65")

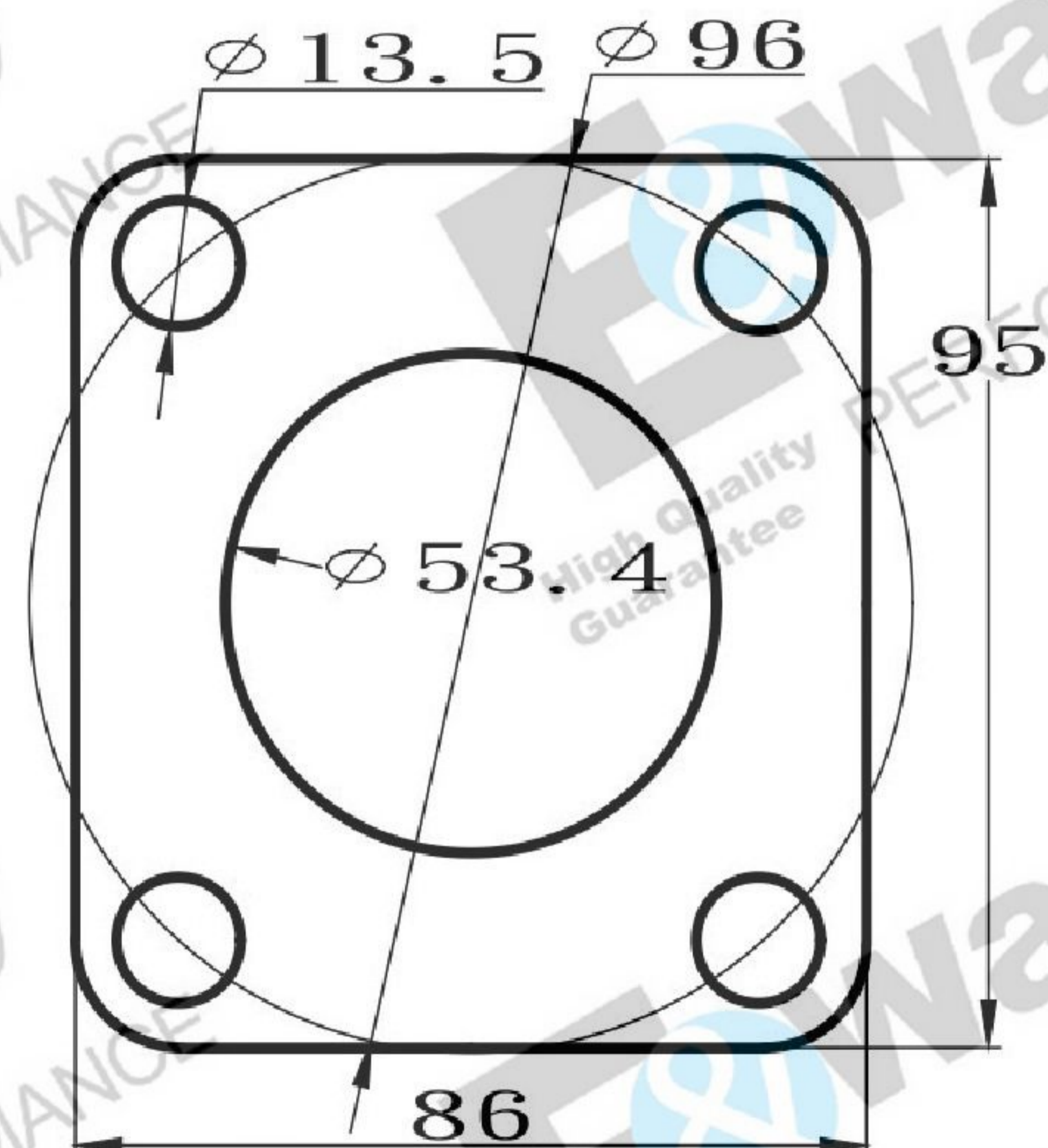
Bolt Circle=144.2/mm(5.67")

Bolt Hole=15/mm(0.59")

Thickness=1.6~2.0/mm(0.06"~0.08")

Material:Graphite(Mixed Steel)+Stainless Steel(Hole)+Copper+Steel(MoS2 Coated)

EP4-002



Inside Diameter(ID)=53.4/mm(2.1")

Bolt Circle=96/mm(3.77")

Bolt Hole=13.5/mm(0.43")

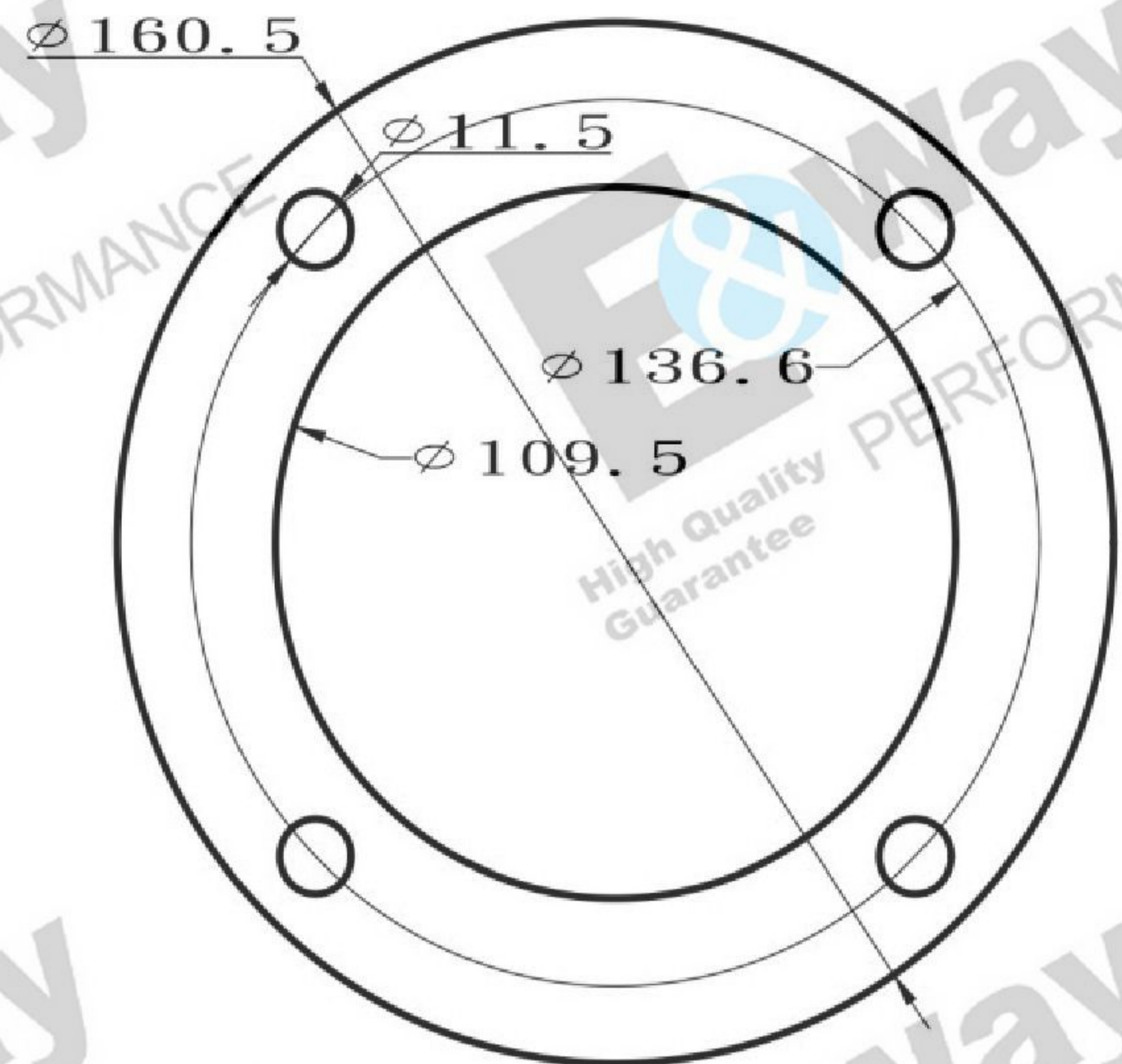
Thickness=1.6~2.0/mm(0.06"~0.08")

Material:Steel(Mixed Asbestos Free)+Stainless Steel(Hole)

EP4-003

4-Bolt Exhaust Flange/Muffler/Pipe Gasket P2

P2



Inside Diameter(ID)=109.5/mm(4.31")

Outside Diameter(OD)=160.5/mm(6.32")

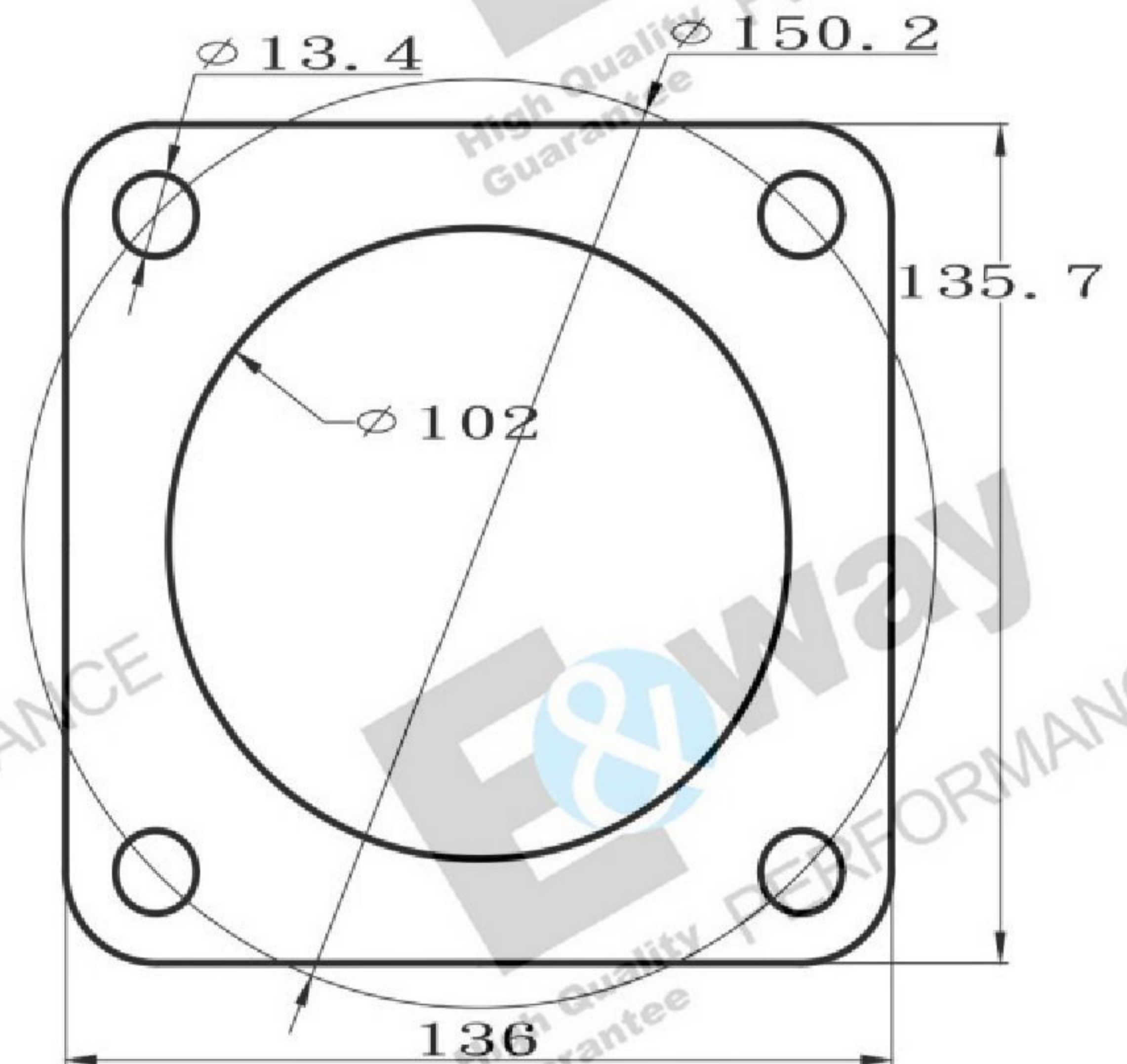
Bolt Circle=136.6/mm(5.37")

Bolt Hole=11.5/mm(0.45")

Thickness=2.4~2.6/mm(0.09"~0.10")

Material:Steel(Mixed Asbestos Free)+Steel

EP4-004



Inside Diameter(ID)=102/mm(4.0")

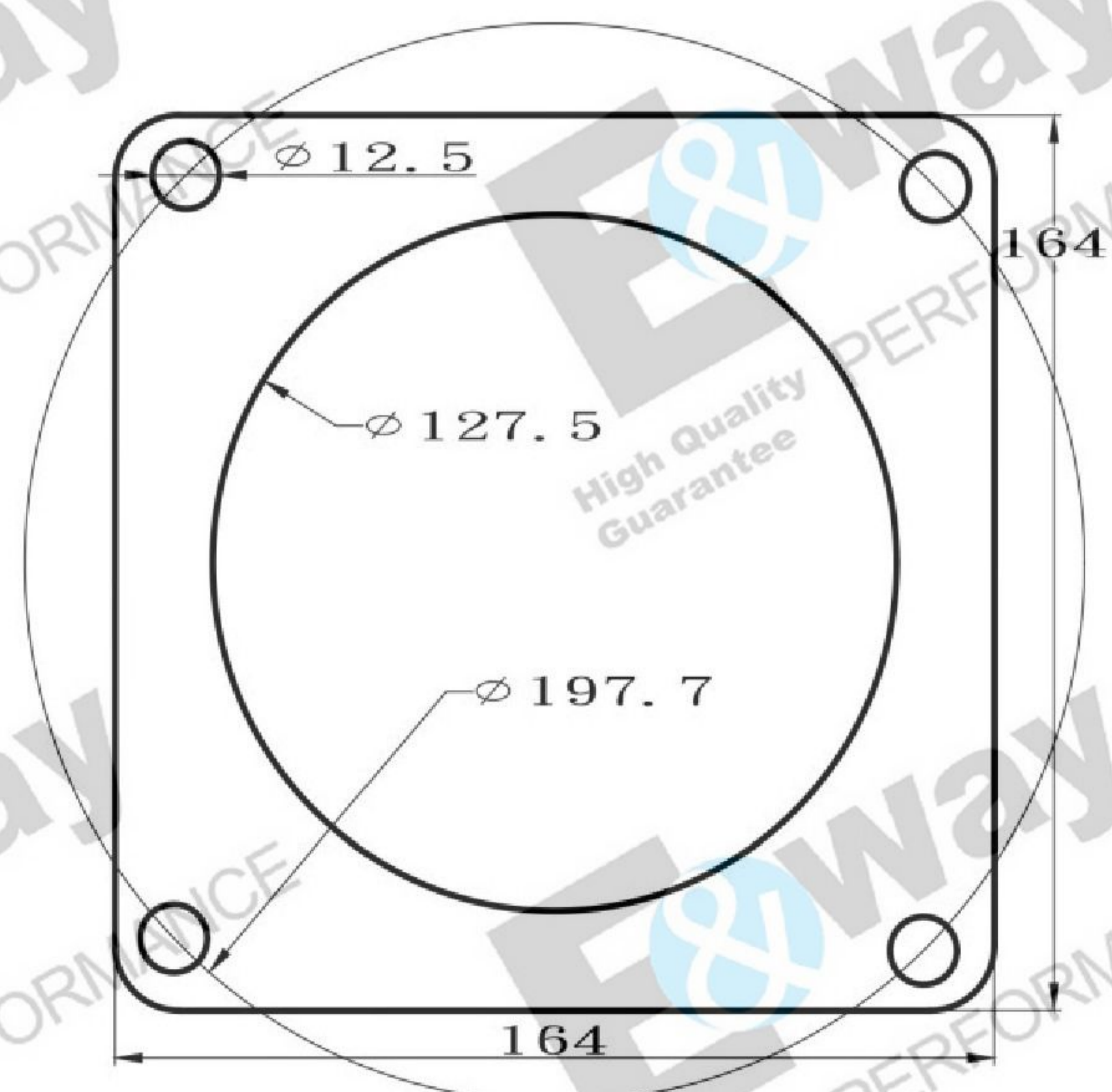
Bolt To Bolt=150.2/mm(5.91")

Bolt Hole=13.4/mm(0.52")

Thickness=1.6~2.0/mm(0.06"~0.08")

Material:Graphite(Mixed Steel)+Stainless Steel(Hole)+Copper+Steel(MoS2 Coated)

EP4-005



Inside Diameter(ID)=127.5/mm(5.02")

Bolt Circle=197.7/mm(7.78")

Bolt Hole=12.5/mm(0.49")

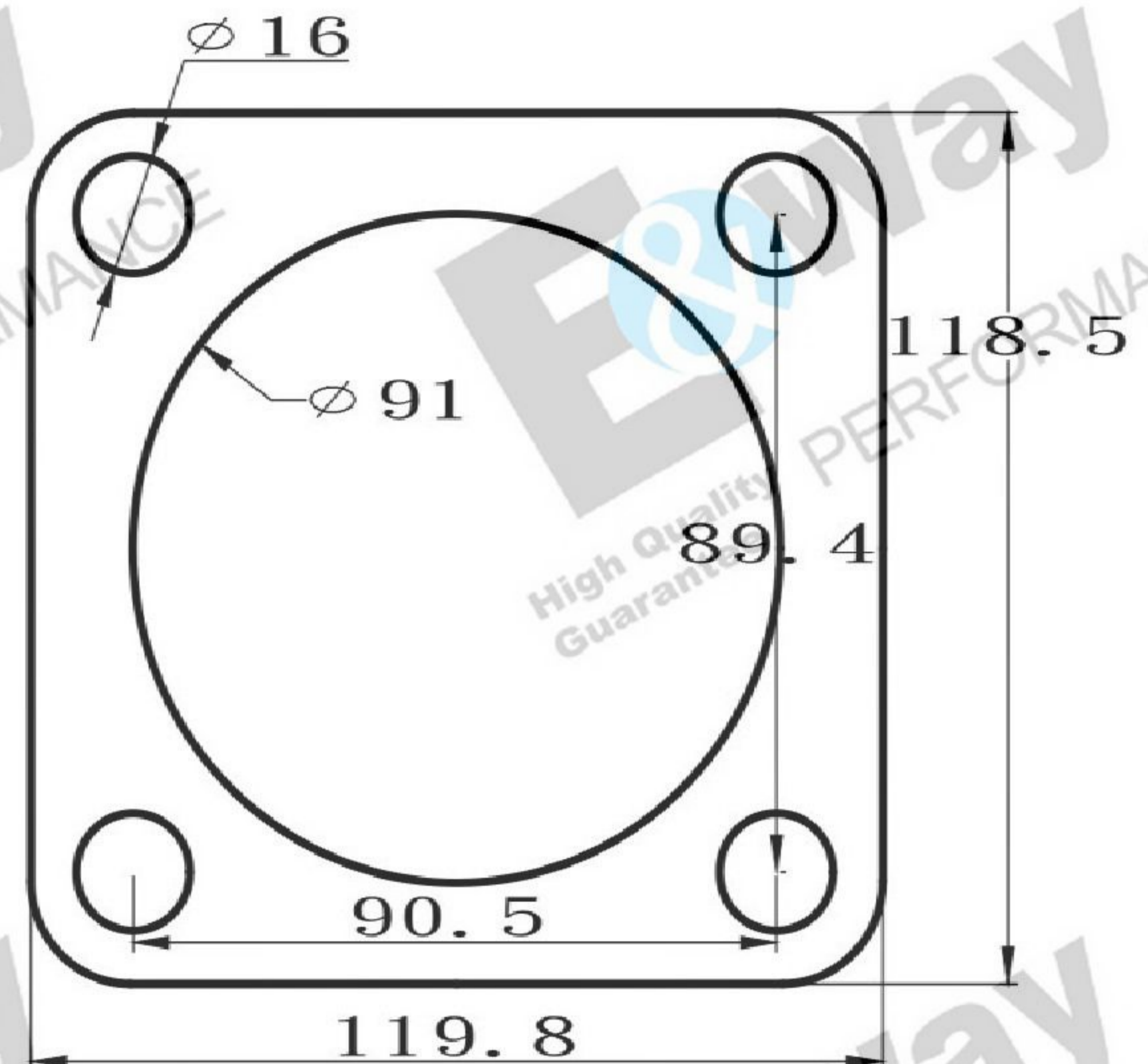
Thickness=0.4/mm(0.015")

Material:Stainless Steel(Single-Layer)

EP4-006

4-Bolt Exhaust Flange/Muffler/Pipe Gasket P3

P3



Inside Diameter(ID)=91/mm(3.58")

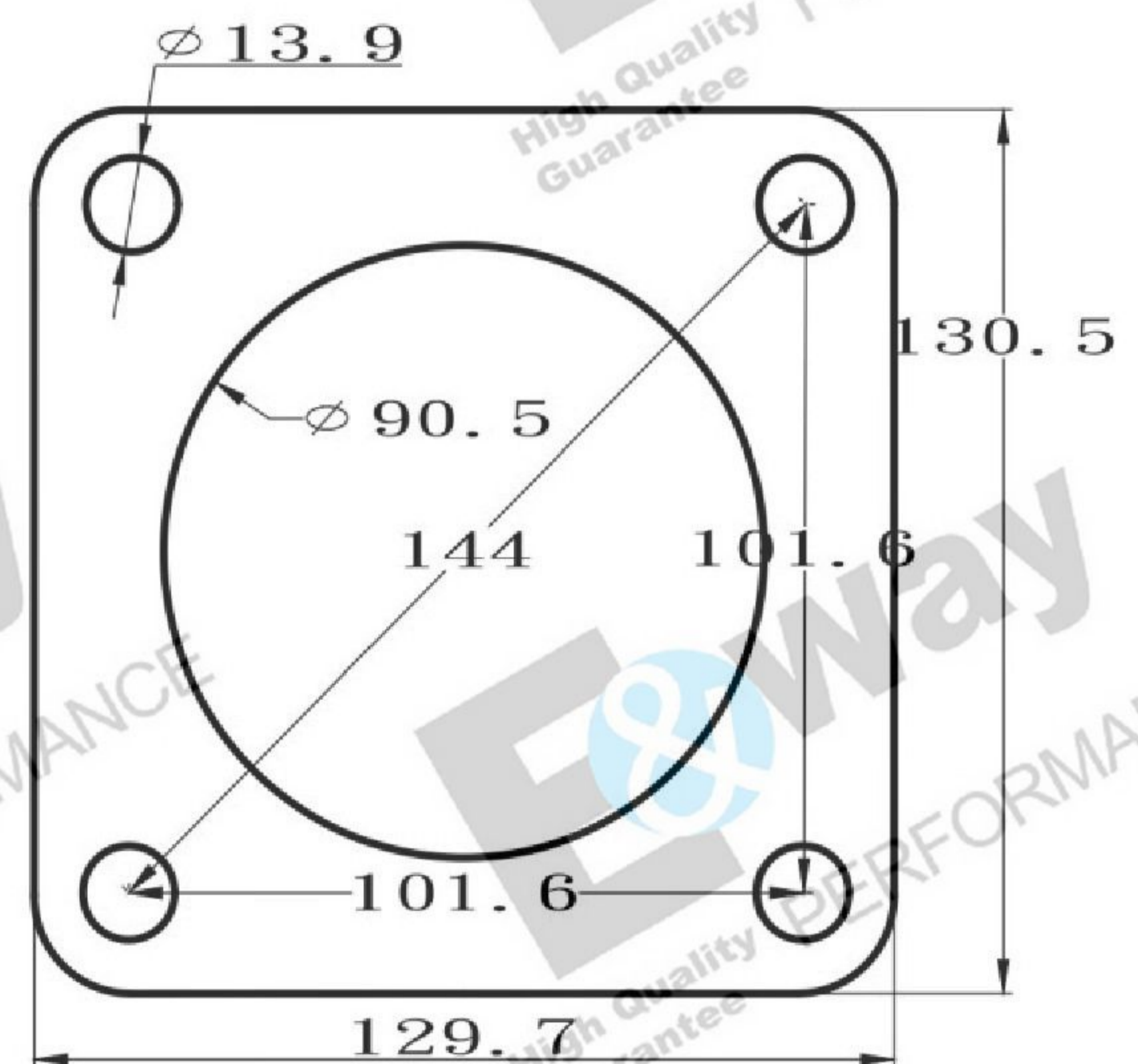
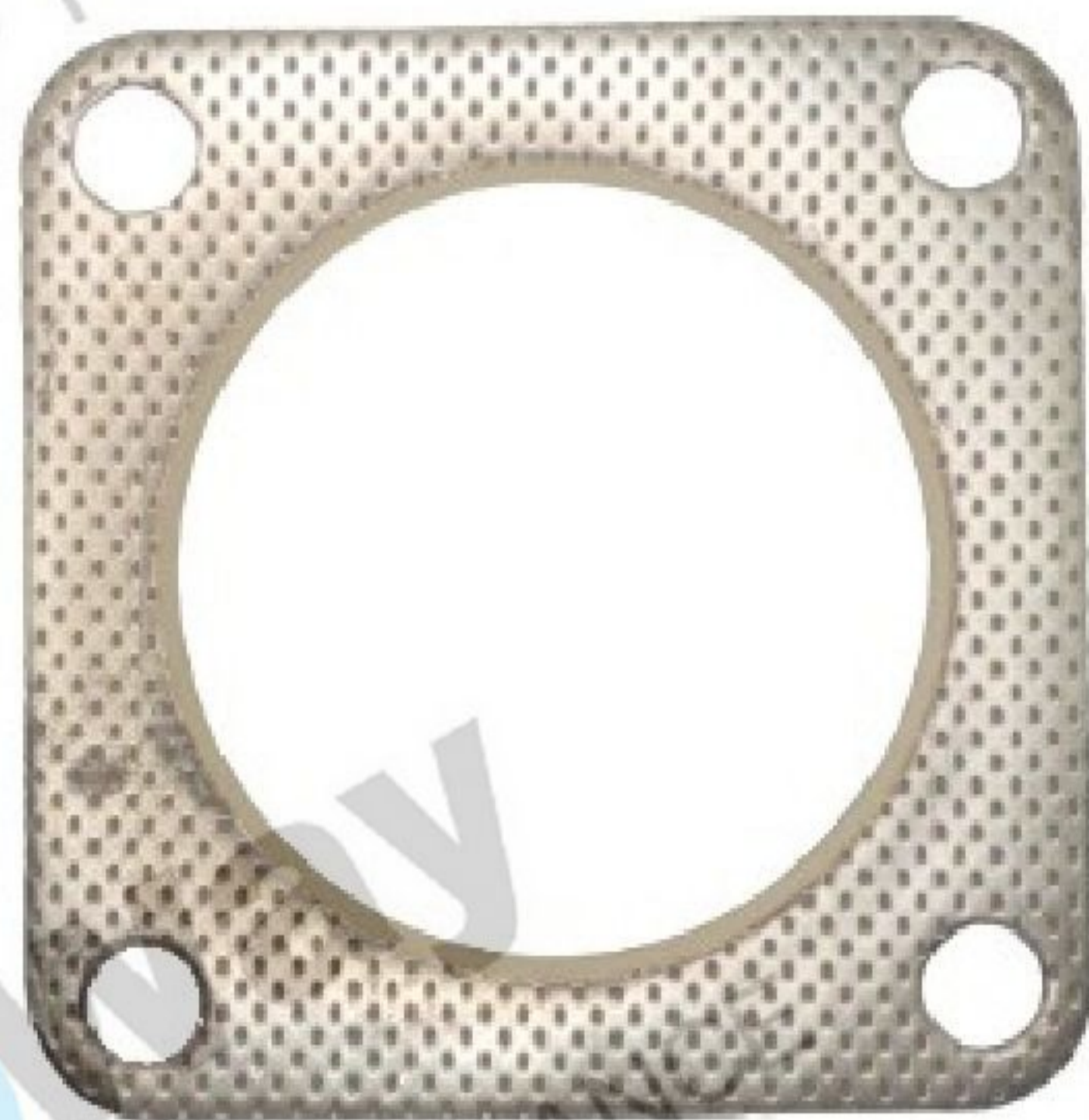
Bolt To Bolt=89.4/mm(3.5")90.5/mm(3.56")

Bolt Hole=16/mm(0.55")

Thickness=1.6~2.0/mm(0.06"~0.08")

Material:Steel(Mixed Asbestos Free)+Stainless Steel(Hole)

EP4-007



Inside Diameter(ID)=90.5/mm(3.56")

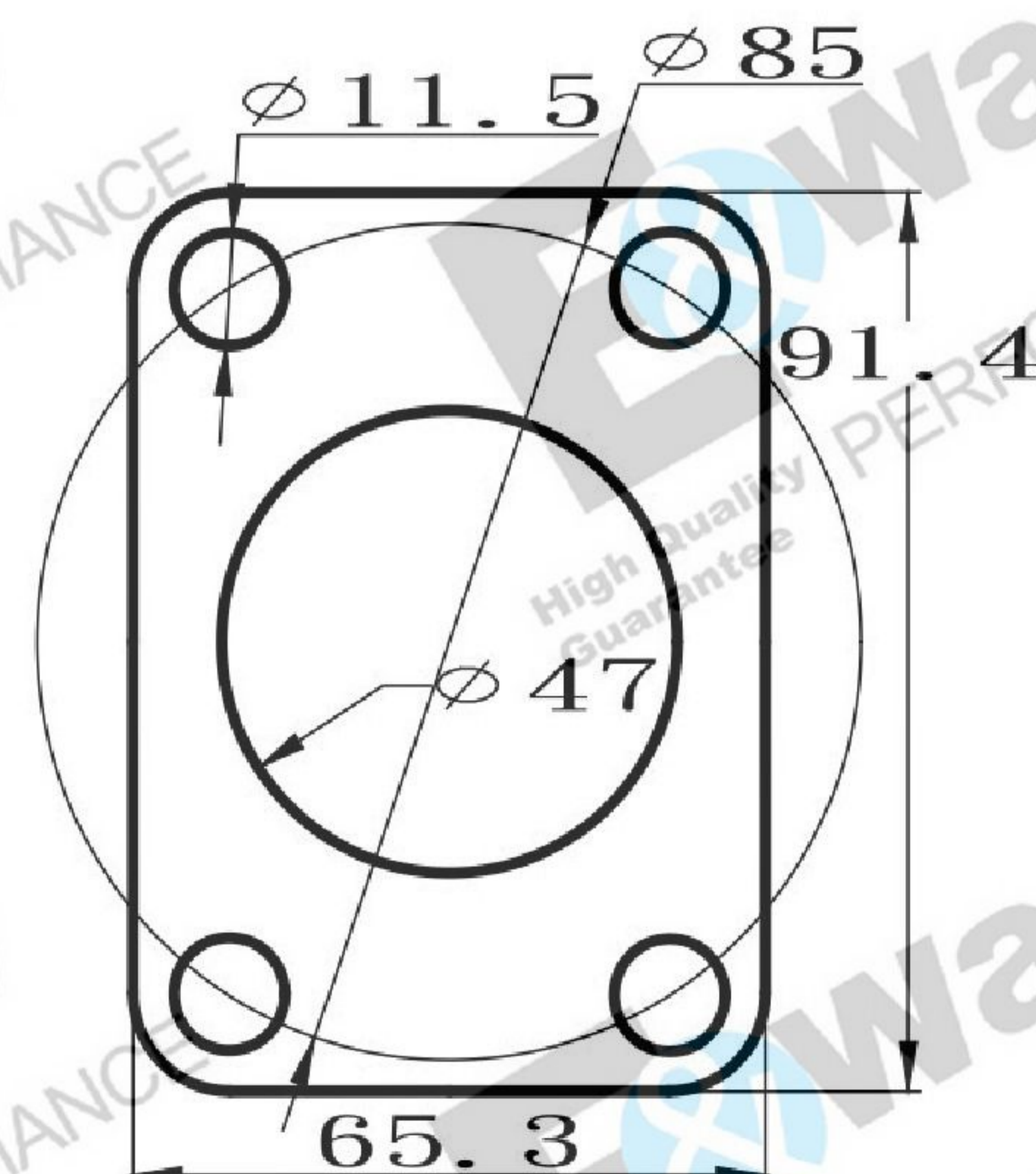
Bolt To Bolt=144/mm(5.66")101.6/mm(4")

Bolt Hole=13.9/mm(0.54")

Thickness=1.6~2.0/mm(0.06"~0.08")

Material:Steel(Mixed Asbestos Free)+Stainless Steel(Hole)

EP4-008



Inside Diameter(ID)=47/mm(1.85")

Bolt Circle=85/mm(3.34")

Bolt Hole=11.5/mm(0.45")

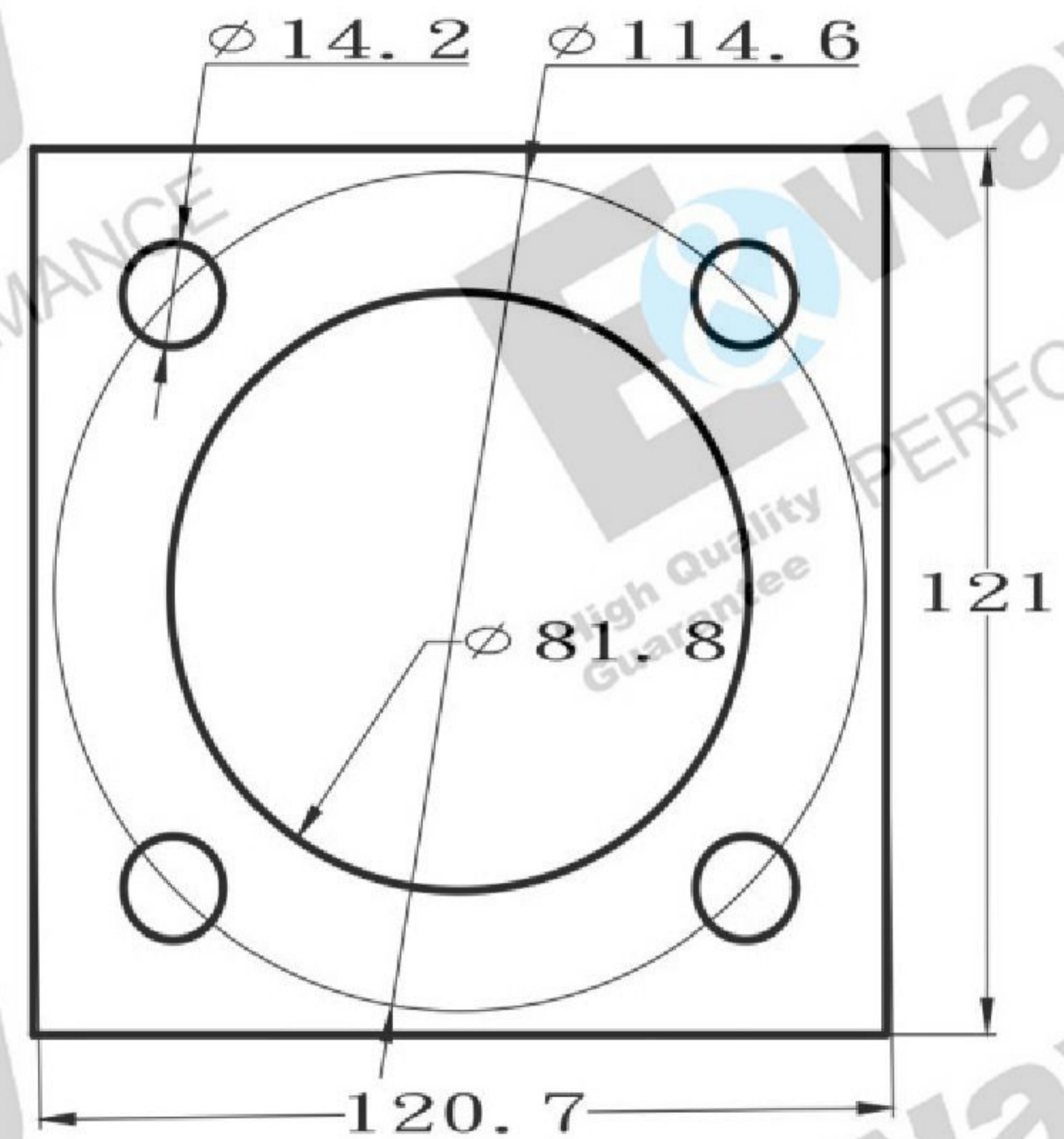
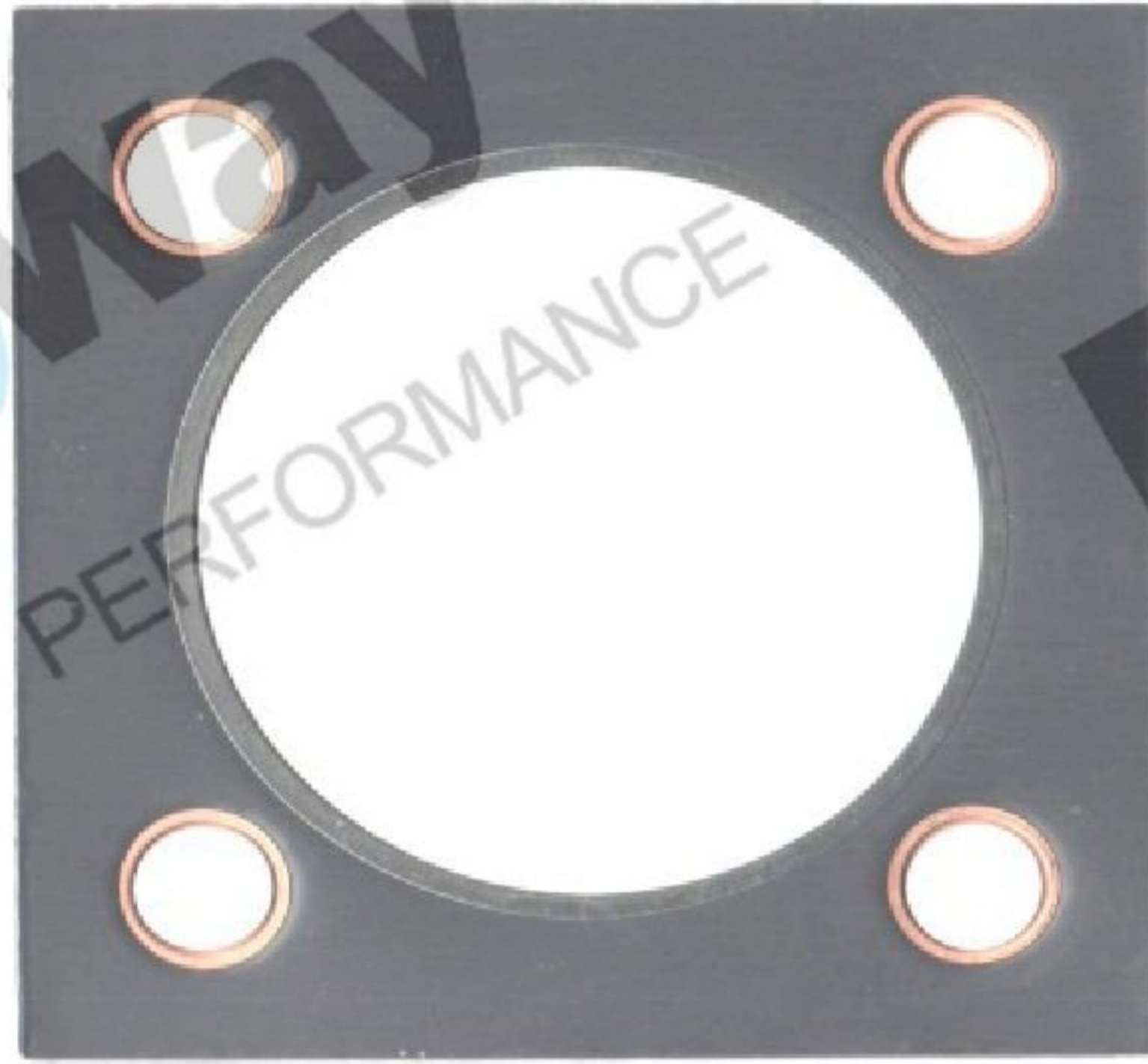
Thickness=1.6~2.0/mm(0.06"~0.08")

Material:Steel(Mixed Asbestos Free)+Stainless Steel(Hole)

EP4-009

4-Bolt Exhaust Flange/Muffler/Pipe Gasket P4

P4



Inside Diameter(ID)=81.8/mm(3.22")

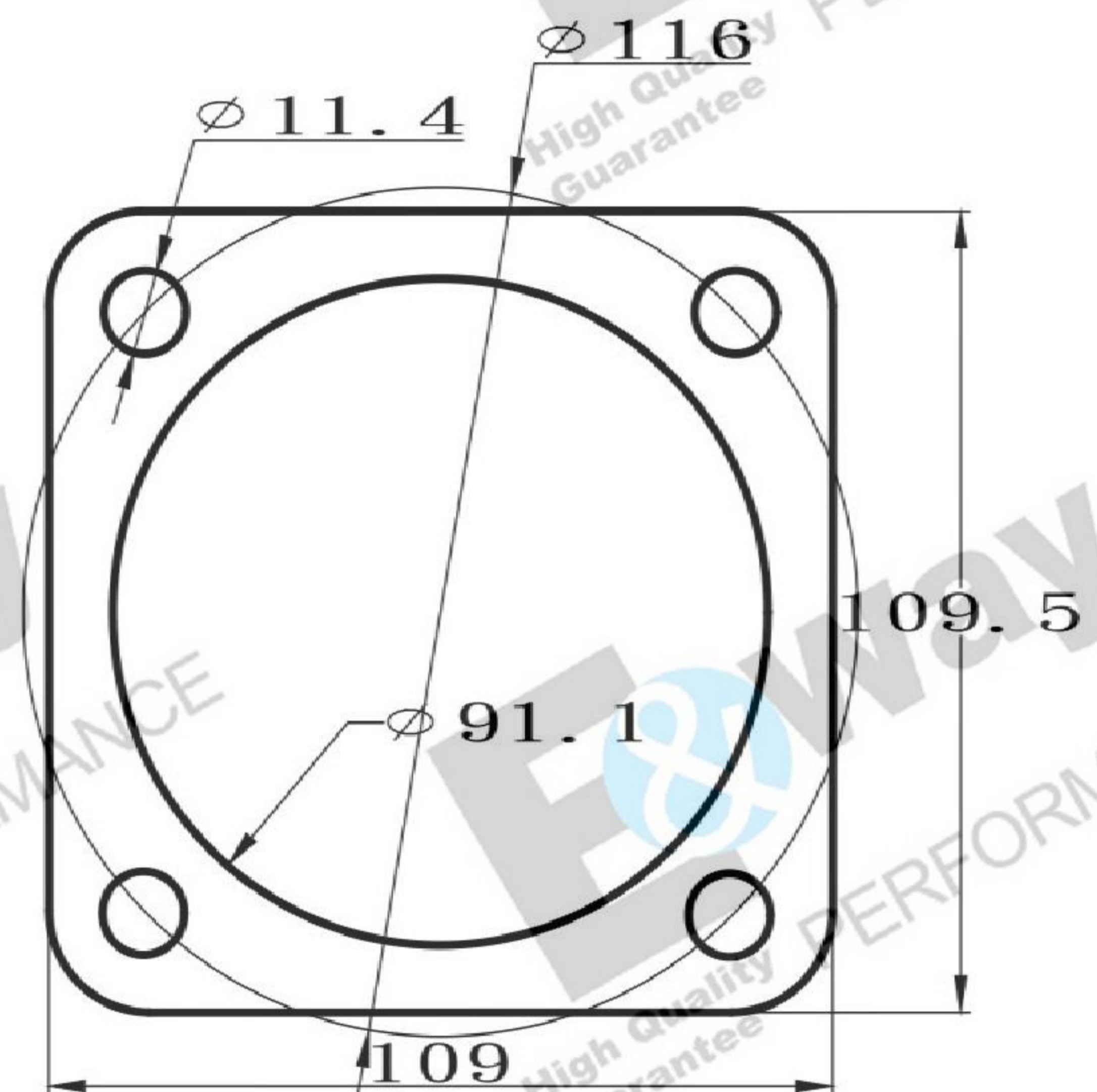
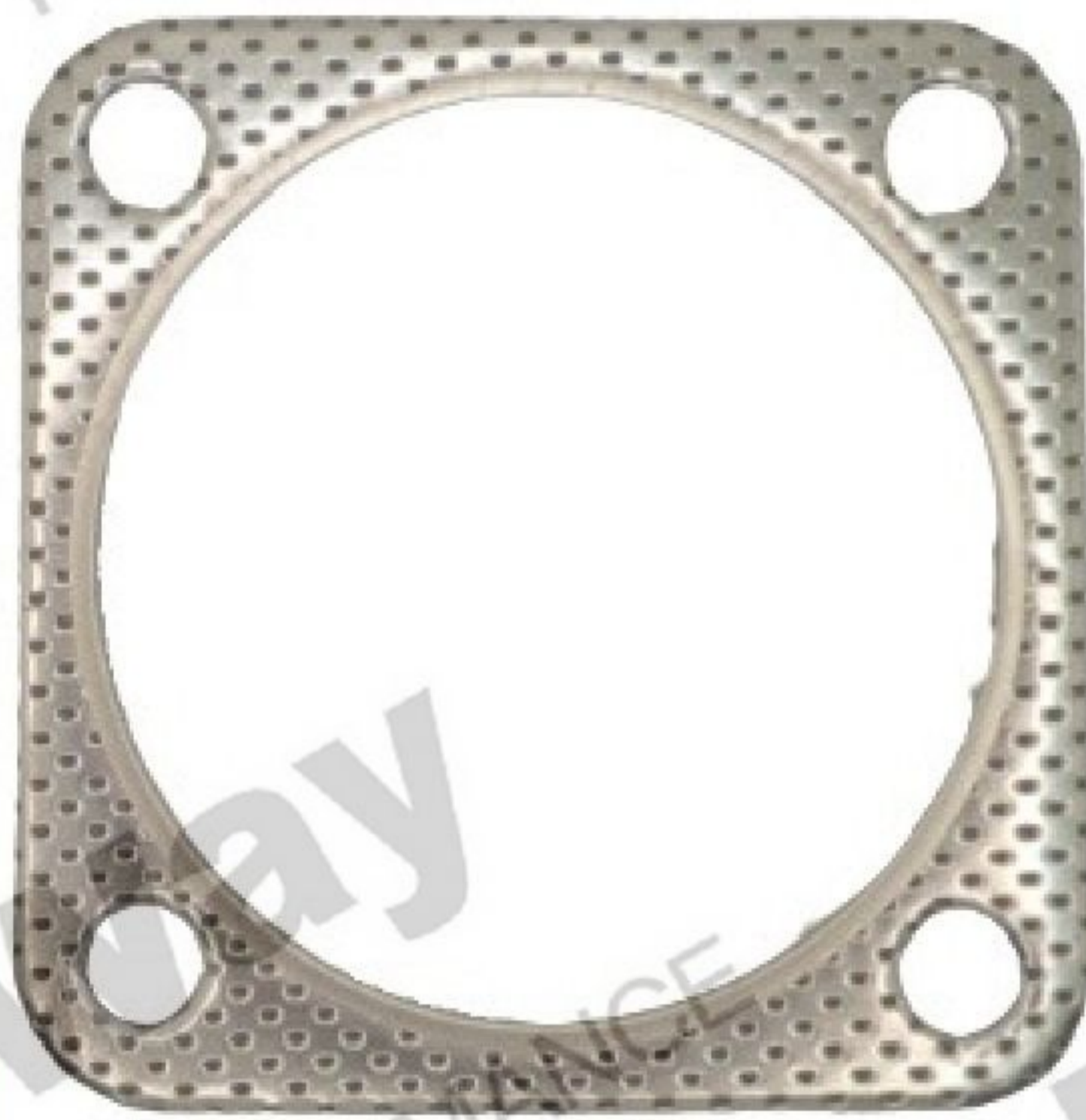
Bolt Circle=114.6/mm(4.51")

Bolt Hole=14.2/mm(0.55")

Thickness=1.6~2.0/mm(0.06"~0.08")

Material:Graphite(Mixed Steel)+Stainless Steel(Hole)+Copper+Steel(MoS₂ Coated)

EP4-010



Inside Diameter(ID)=91.1/mm(3.58")

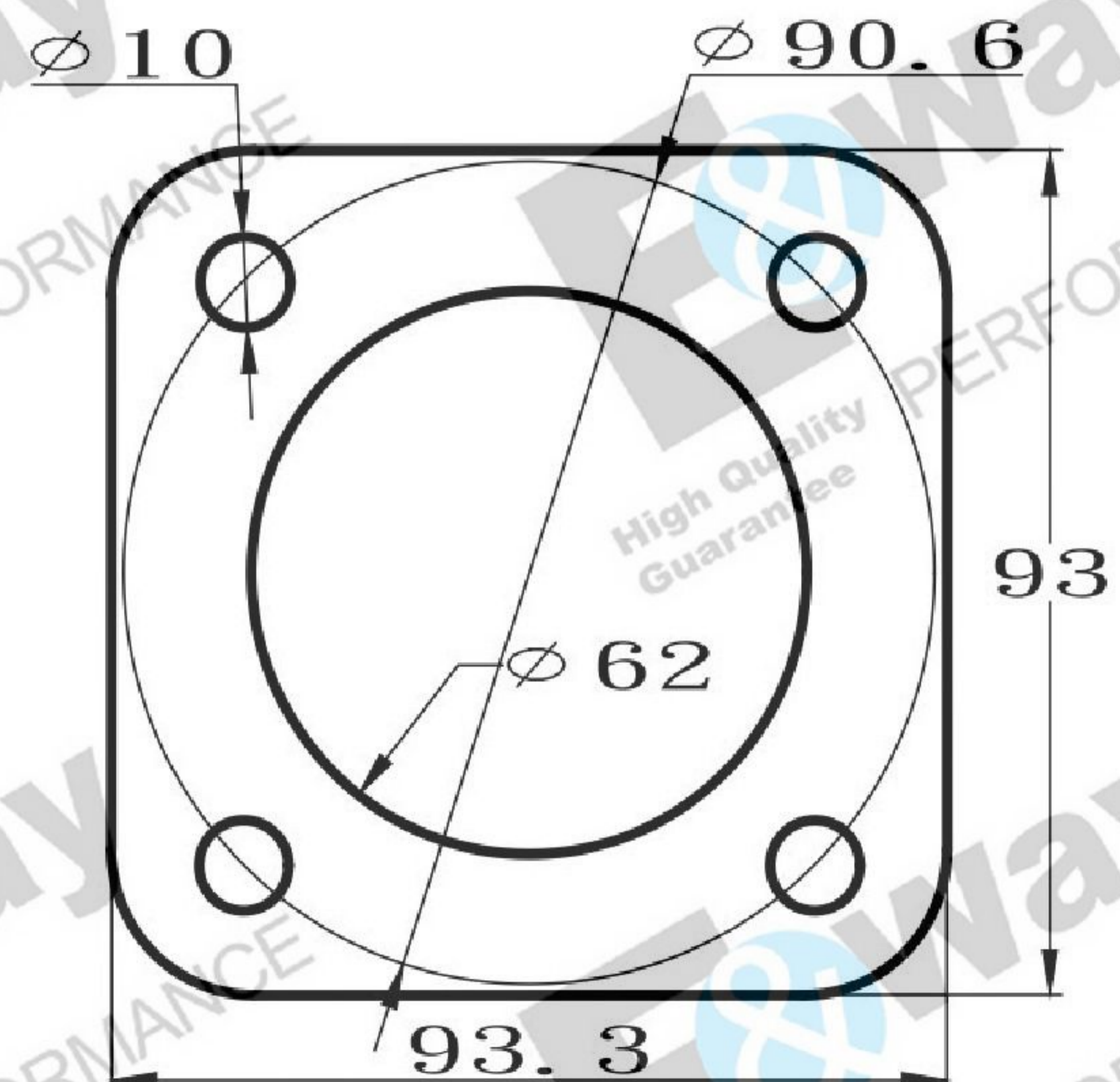
Bolt Circle=116/mm(4.56")

Bolt Hole=11.4/mm(0.44")

Thickness=1.6~2.0/mm(0.06"~0.08")

Material:Steel(Mixed Asbestos Free)+Stainless Steel(Hole)

EP4-011



Inside Diameter(ID)=62/mm(2.44")

Bolt Circle=90.6/mm(3.56")

Bolt Hole=10/mm(0.39")

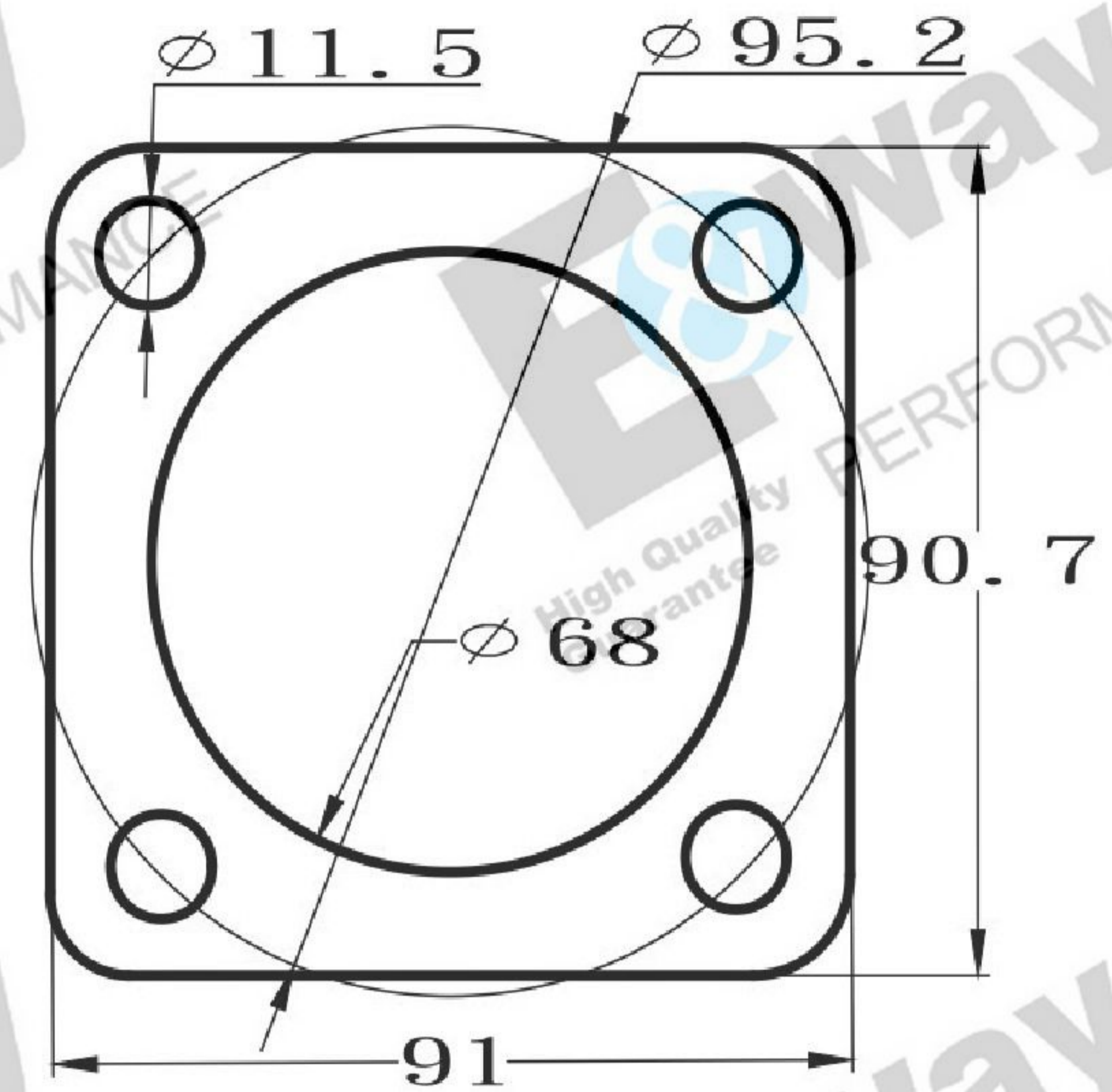
Thickness=1.6~2.0/mm(0.06"~0.08")

Material:Graphite(Mixed Steel)+Stainless Steel(Hole)+Copper+Steel(MoS₂ Coated)

EP4-012

4-Bolt Exhaust Flange/Muffler/Pipe Gasket P5

P5



Inside Diameter(ID)=68/mm(2.67")

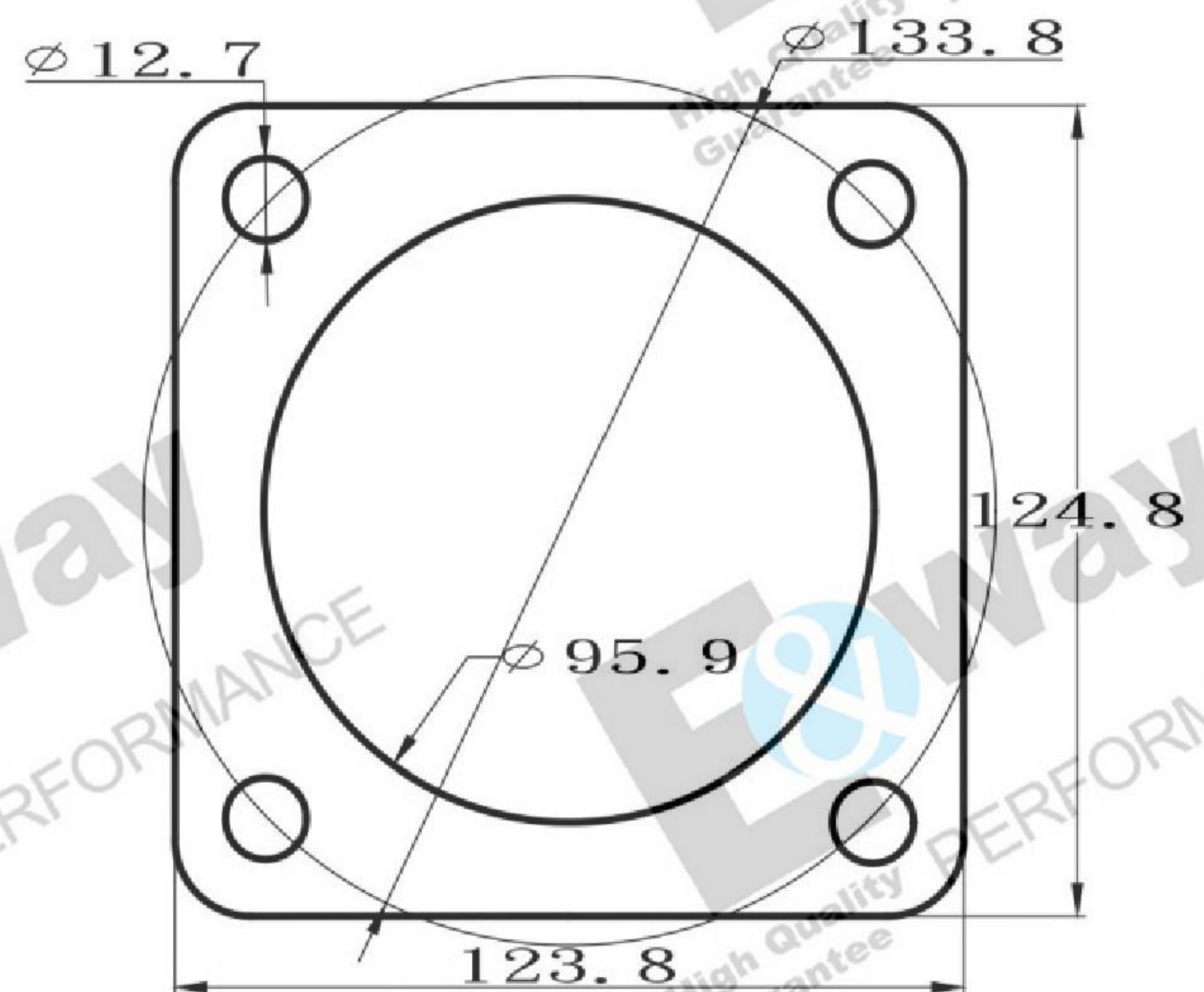
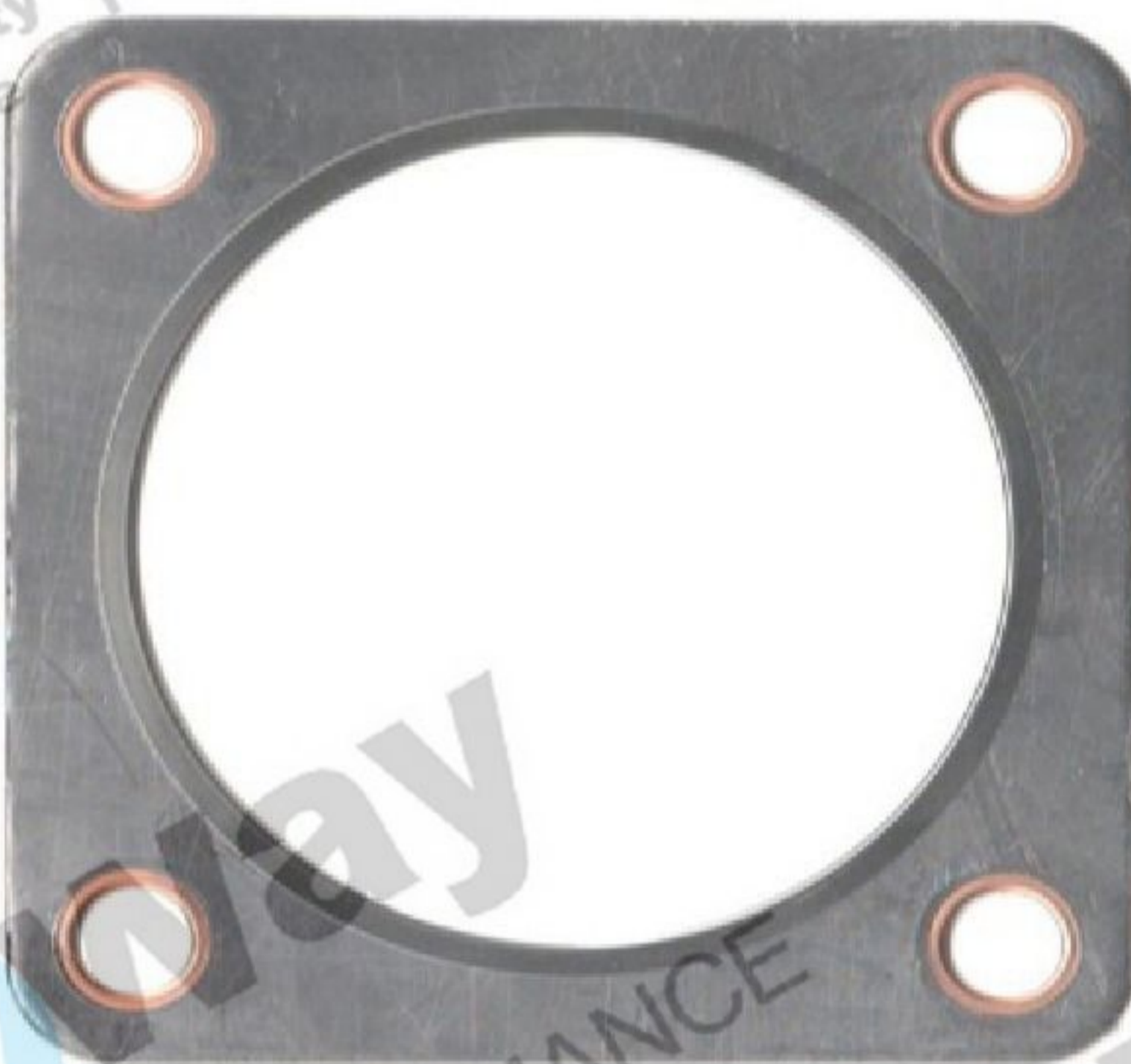
Bolt Circle=95.2/mm(3.74")

Bolt Hole=11.5/mm(0.45")

Thickness=1.6~2.0/mm(0.06"~0.08")

Material:Steel(Mixed Asbestos Free)+Stainless Steel(Hole)

EP4-013



Inside Diameter(ID)=95.9/mm(3.77")

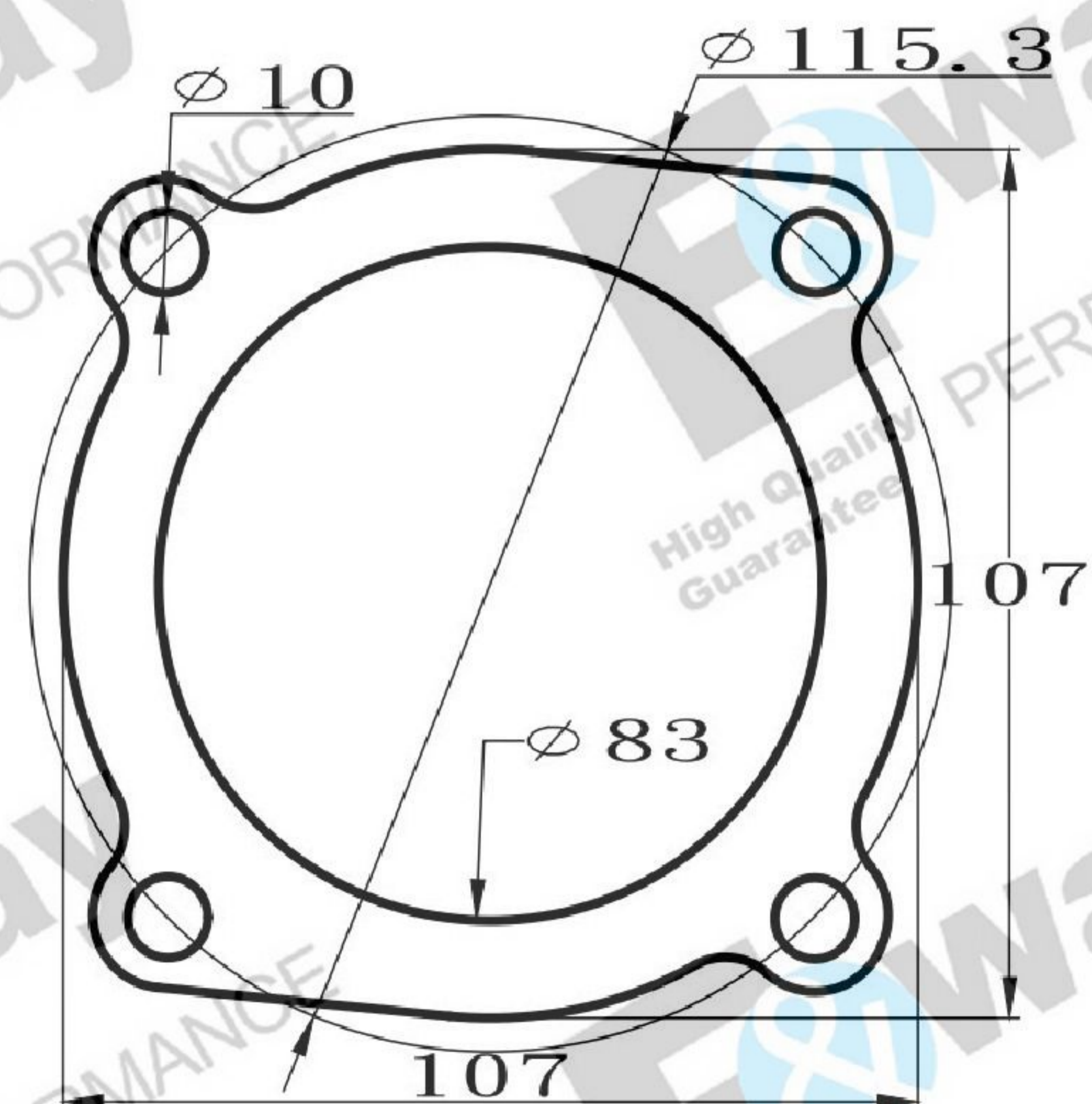
Bolt Circle=133.8/mm(5.26")

Bolt Hole=12.7/mm(0.50")

Thickness=1.0/mm(0.04")

Material:Graphite Mixed Steel(2-Layer)+Stainless Steel(Hole)+Copper

EP4-014



Inside Diameter(ID)=83/mm(3.26")

Bolt Circle=115.3/mm(4.53")

Bolt Hole=10/mm(0.39")

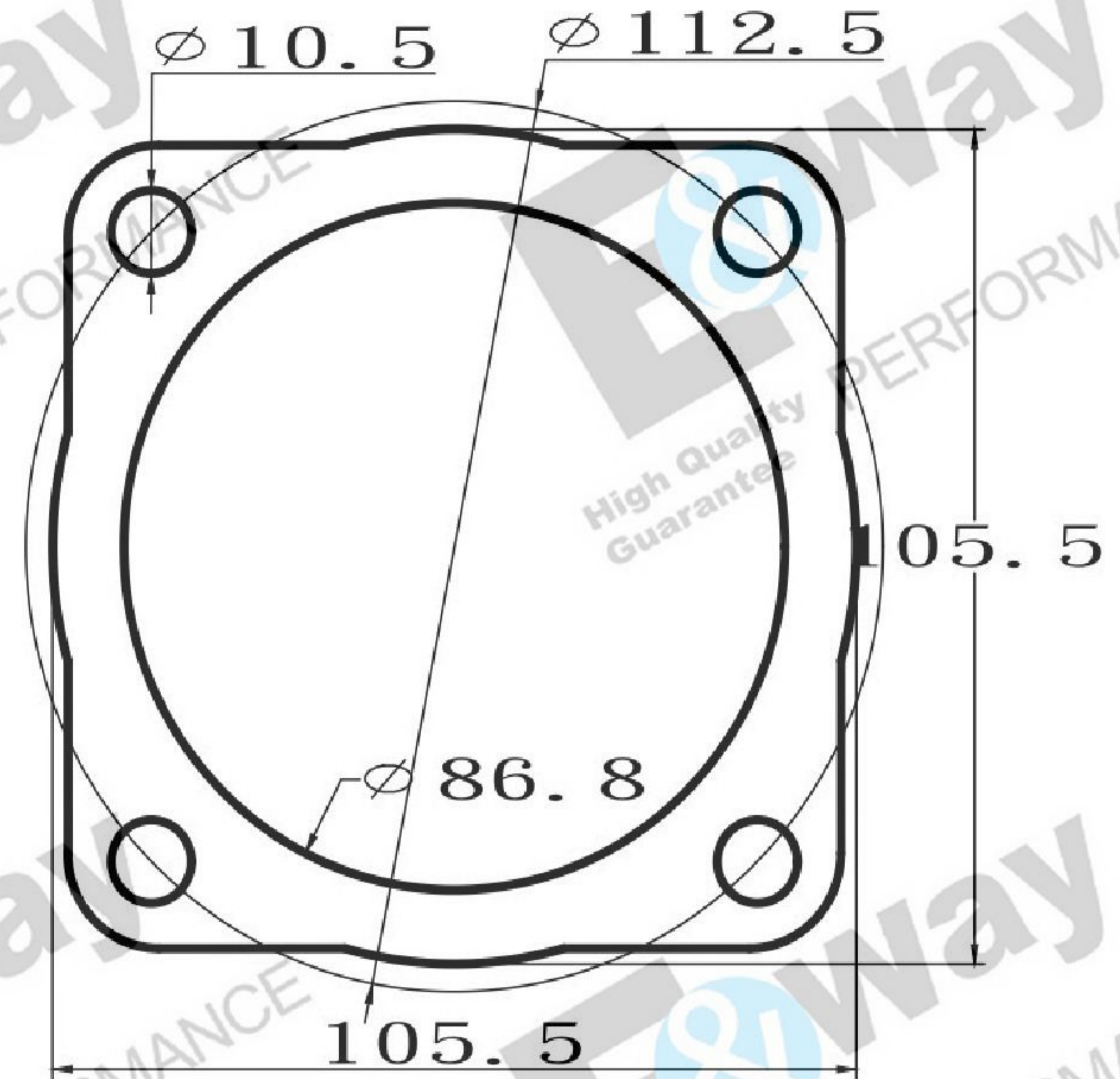
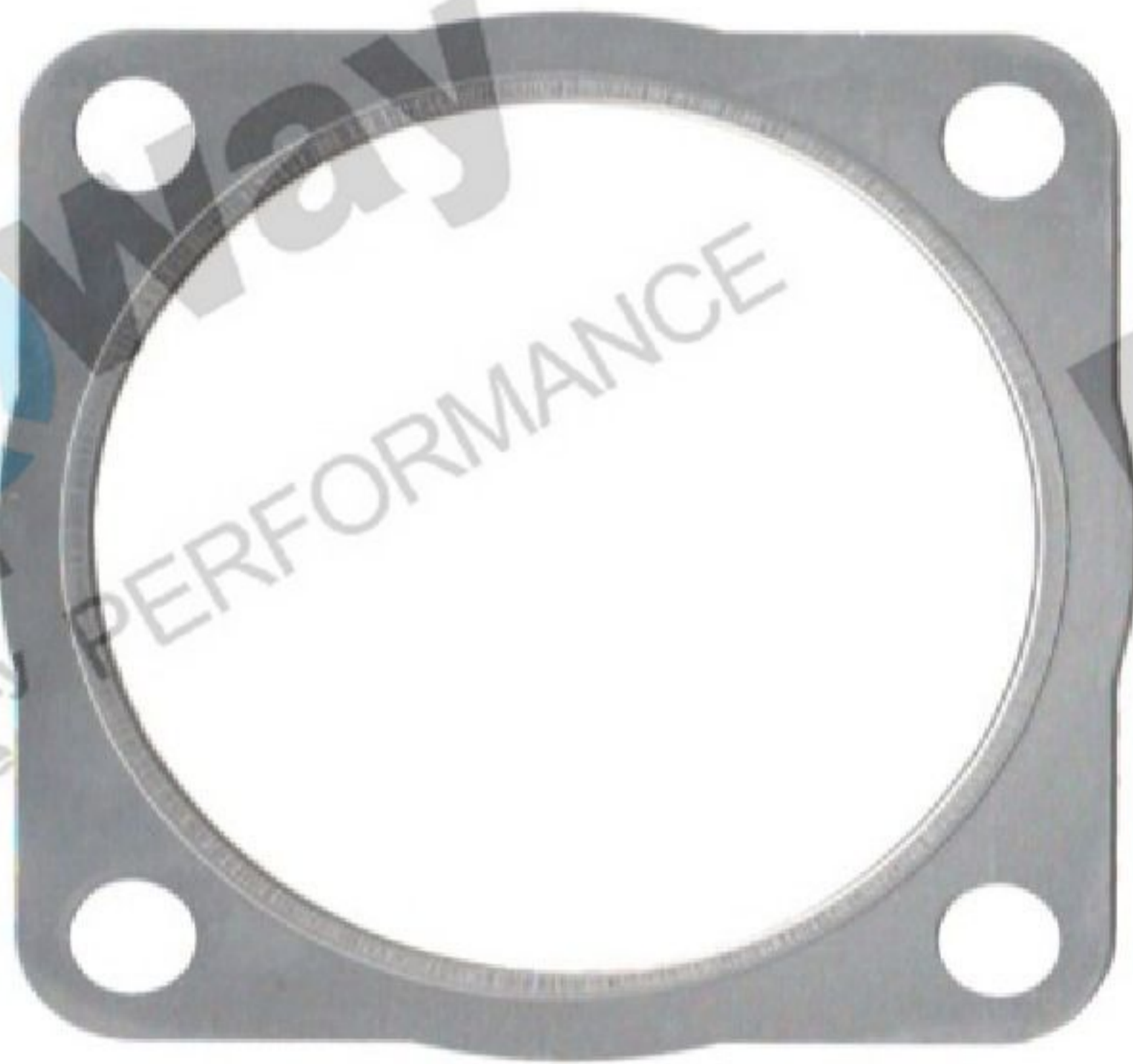
Thickness=1.6~2.0/mm(0.06"~0.08")

Material:Steel(Mixed Asbestos Free)+Copper+Stainless Steel(Hole)

EP4-015

4-Bolt Exhaust Flange/Muffler/Pipe Gasket P6

P6



Inside Diameter(ID)=86.8/mm(3.41")

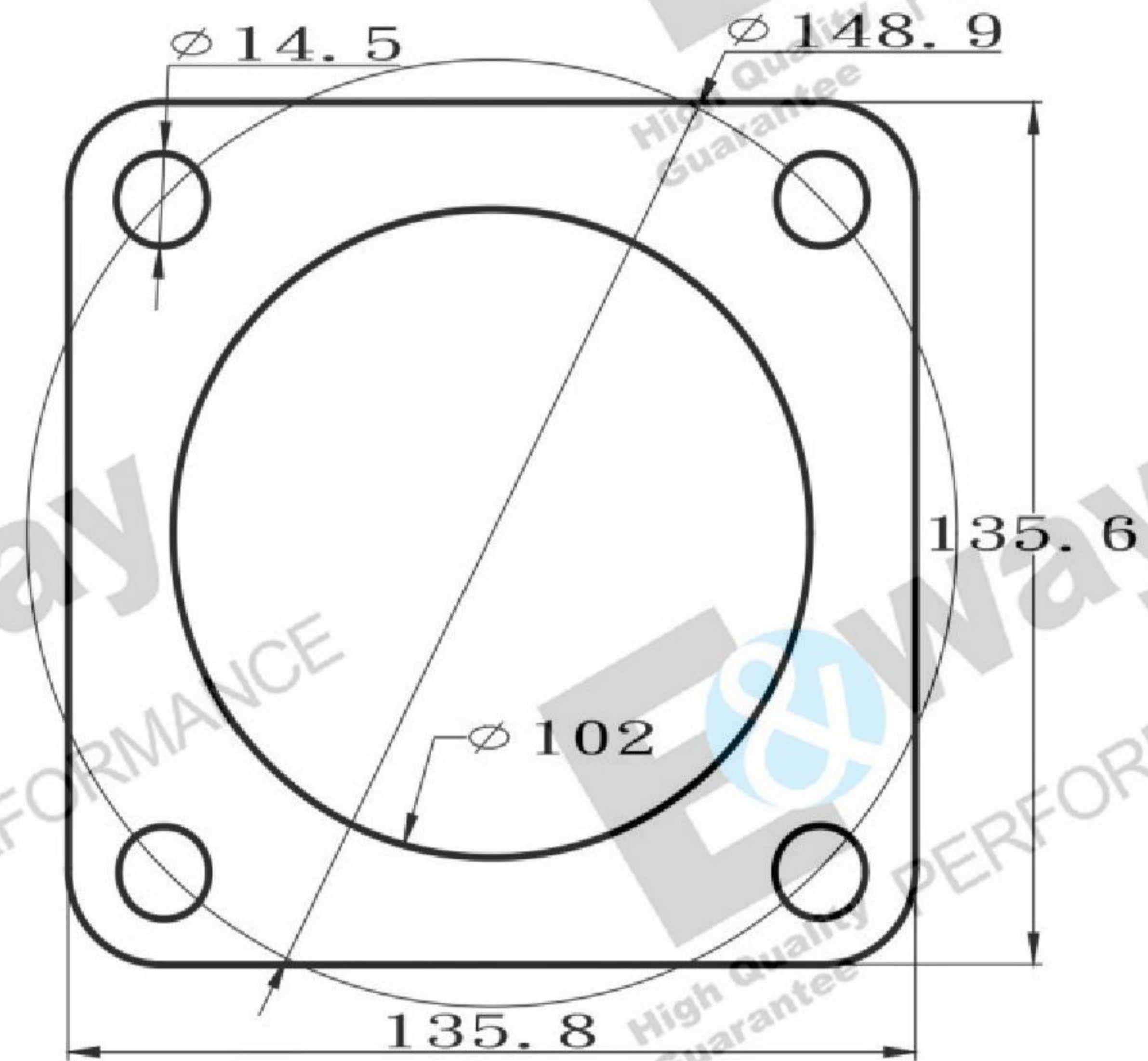
Bolt Circle=112.5/mm(4.42")

Bolt Hole=10.5/mm(0.41")

Thickness=1.5/mm(0.06")

Material:Steel(5-Layer)

EP4-016



Inside Diameter(ID)=102/mm(4.01")

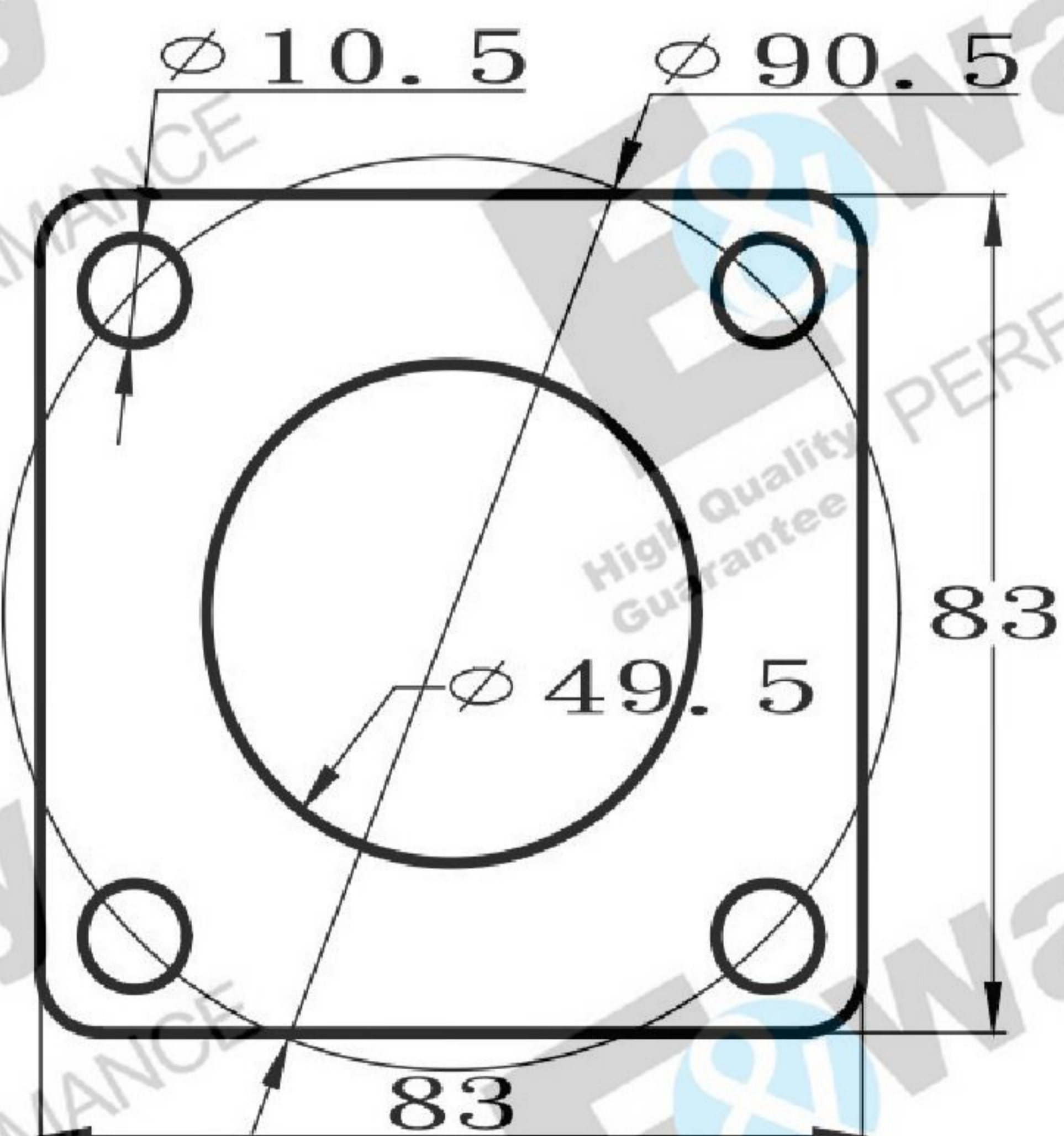
Bolt Circle=148.9/mm(5.86")

Bolt Hole=14.5/mm(0.57")

Thickness=1.6~2.0/mm(0.06"~0.08")

Material:Steel(Mixed Asbestos Free)+Stainless Steel(Hole)

EP4-017



Inside Diameter(ID)=49.5/mm(1.94")

Bolt Circle=90.5/mm(3.56")

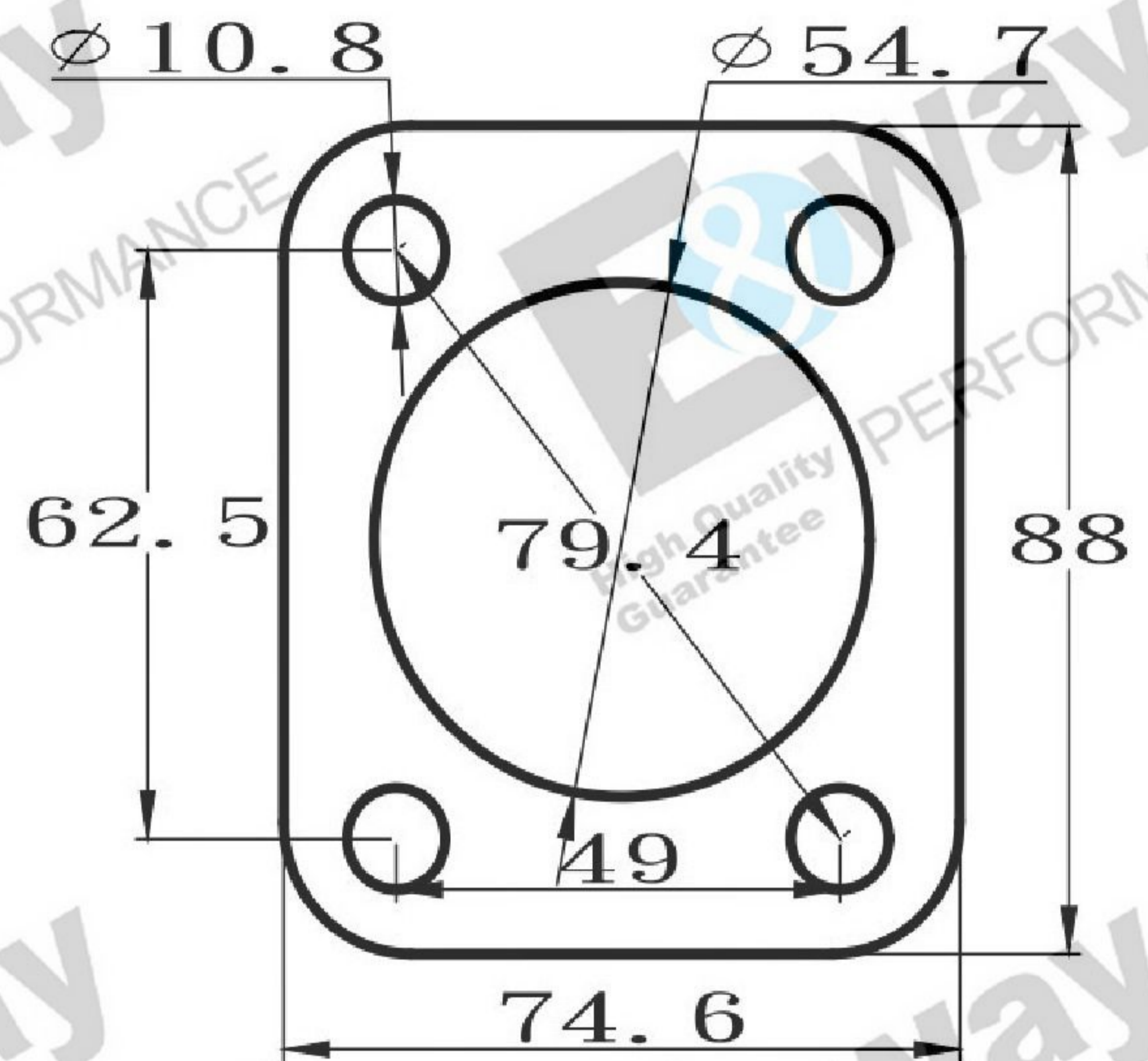
Bolt Hole=10.5/mm(0.41")

Thickness=1.6~2.0/mm(0.06"~0.08")

Material:Steel(Mixed Asbestos Free)+Stainless Steel(Hole)+Steel(MoS2 Coated)

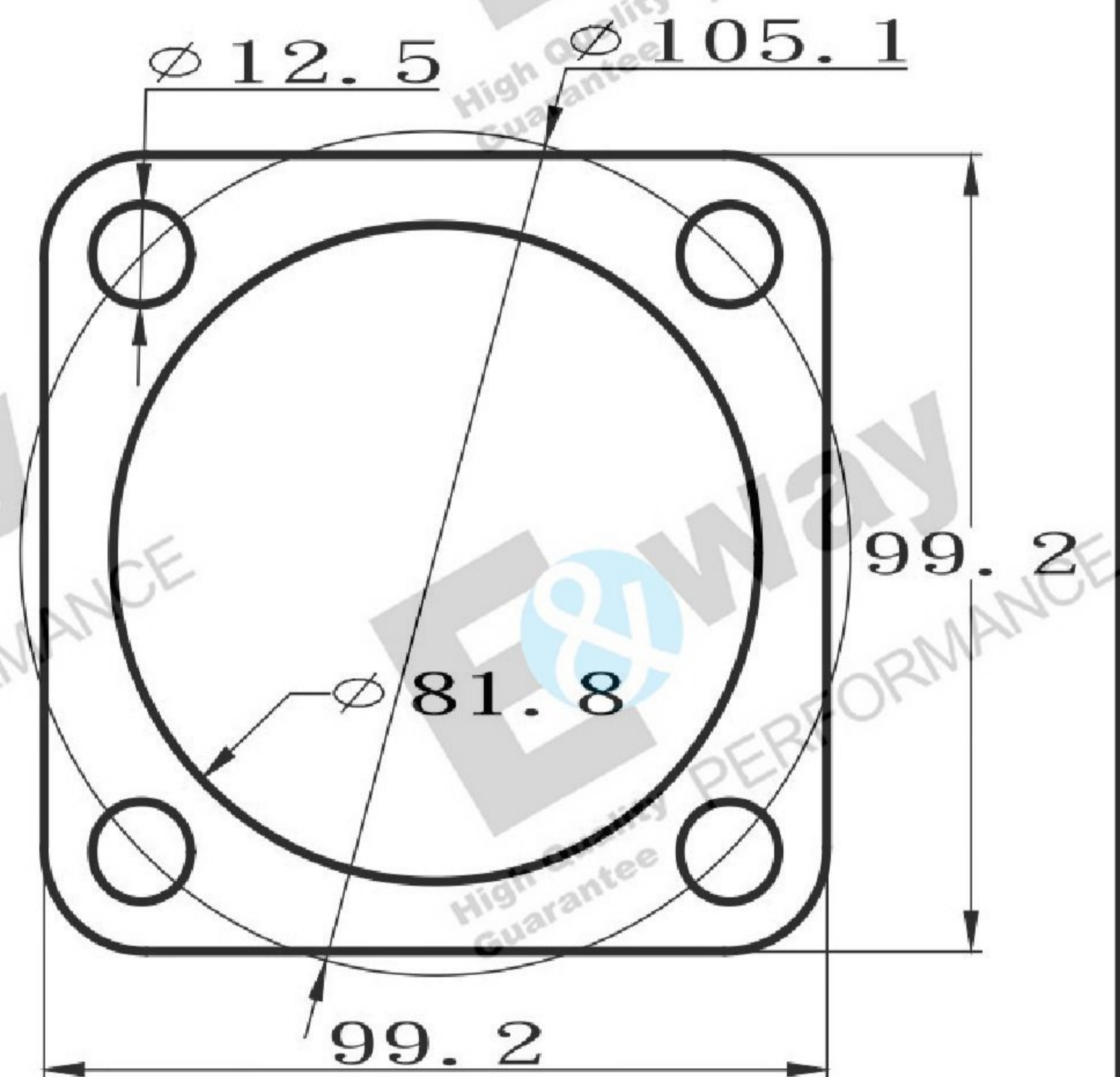
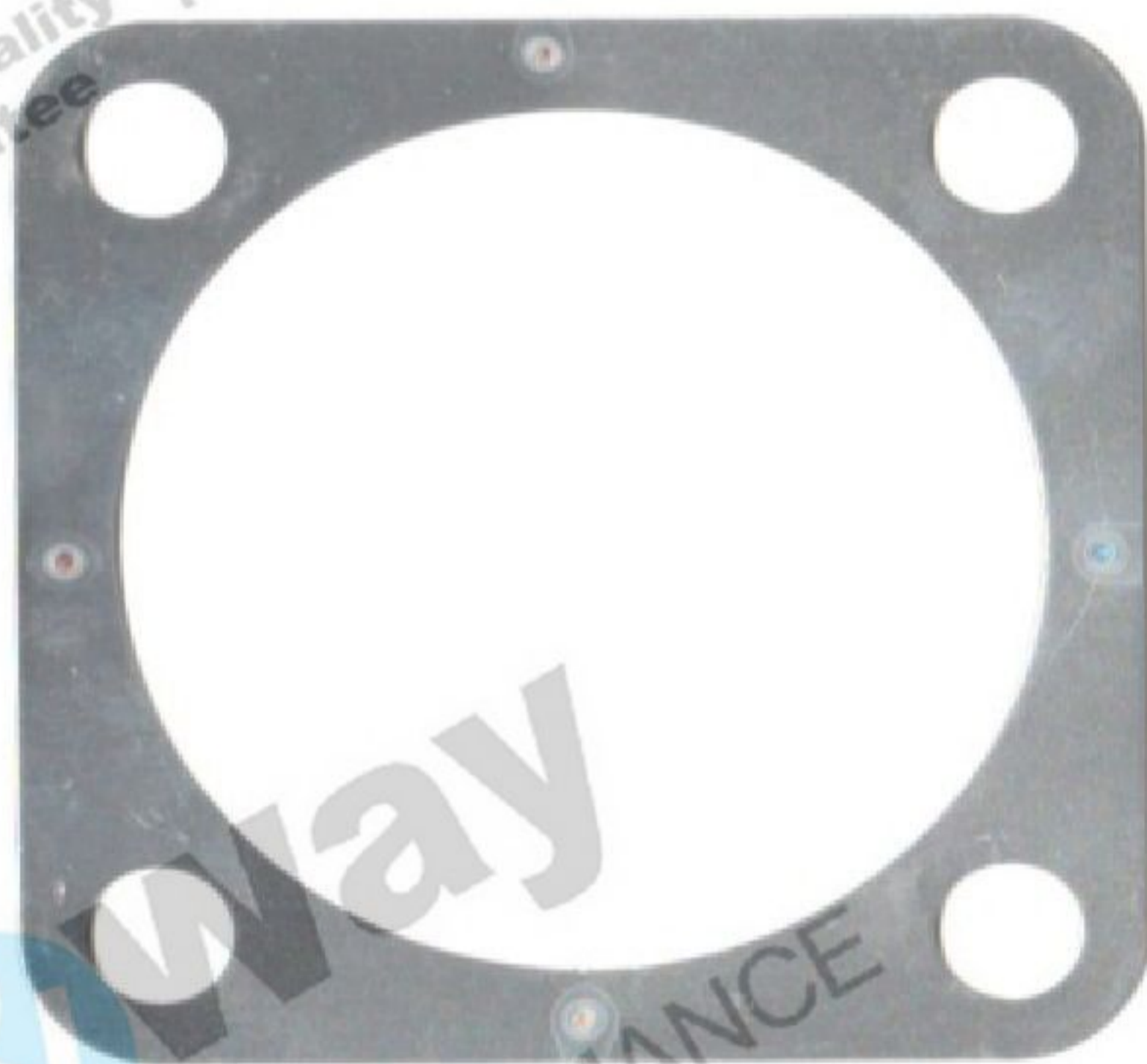
EP4-018

4-Bolt Exhaust Flange/Muffler/Pipe Gasket P7



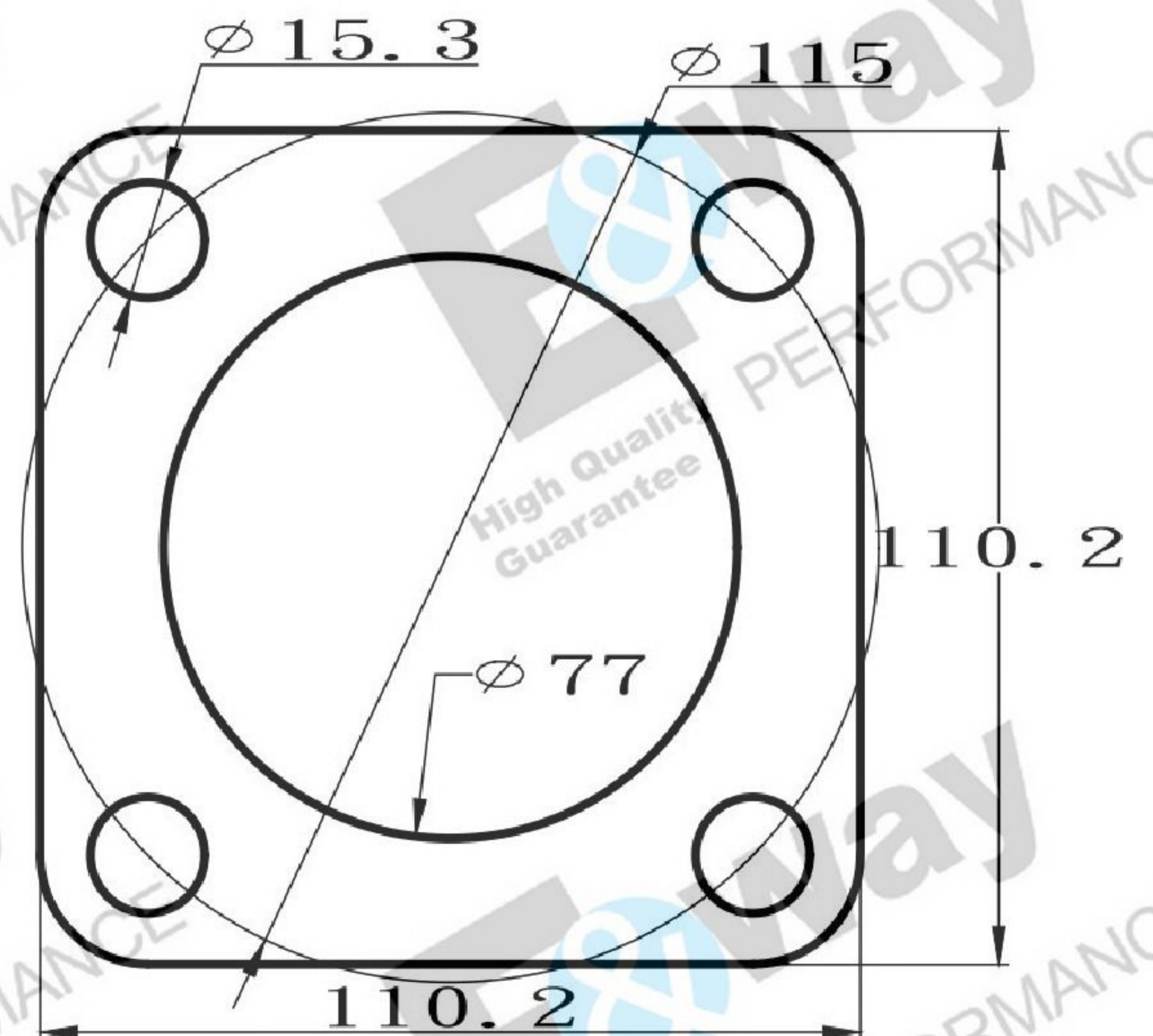
Inside Diameter(ID)=54.7/mm(2.15")
 Bolt To Bolt=62.5/mm(2.46")49/mm(1.92")
 Bolt Hole=10.8/mm(0.42")
 Thickness=1.6~2.0/mm(0.06"~0.08")
 Material:Steel(Mixed Asbestos Free)+Stainless Steel(Hole)

EP4-019



Inside Diameter(ID)=81.8/mm(3.22")
 Bolt Circle=105.1/mm(4.13")
 Bolt Hole=12.5/mm(0.49")
 Thickness=1.3/mm(0.05")
 Material:Steel(4-Layer)

EP4-020

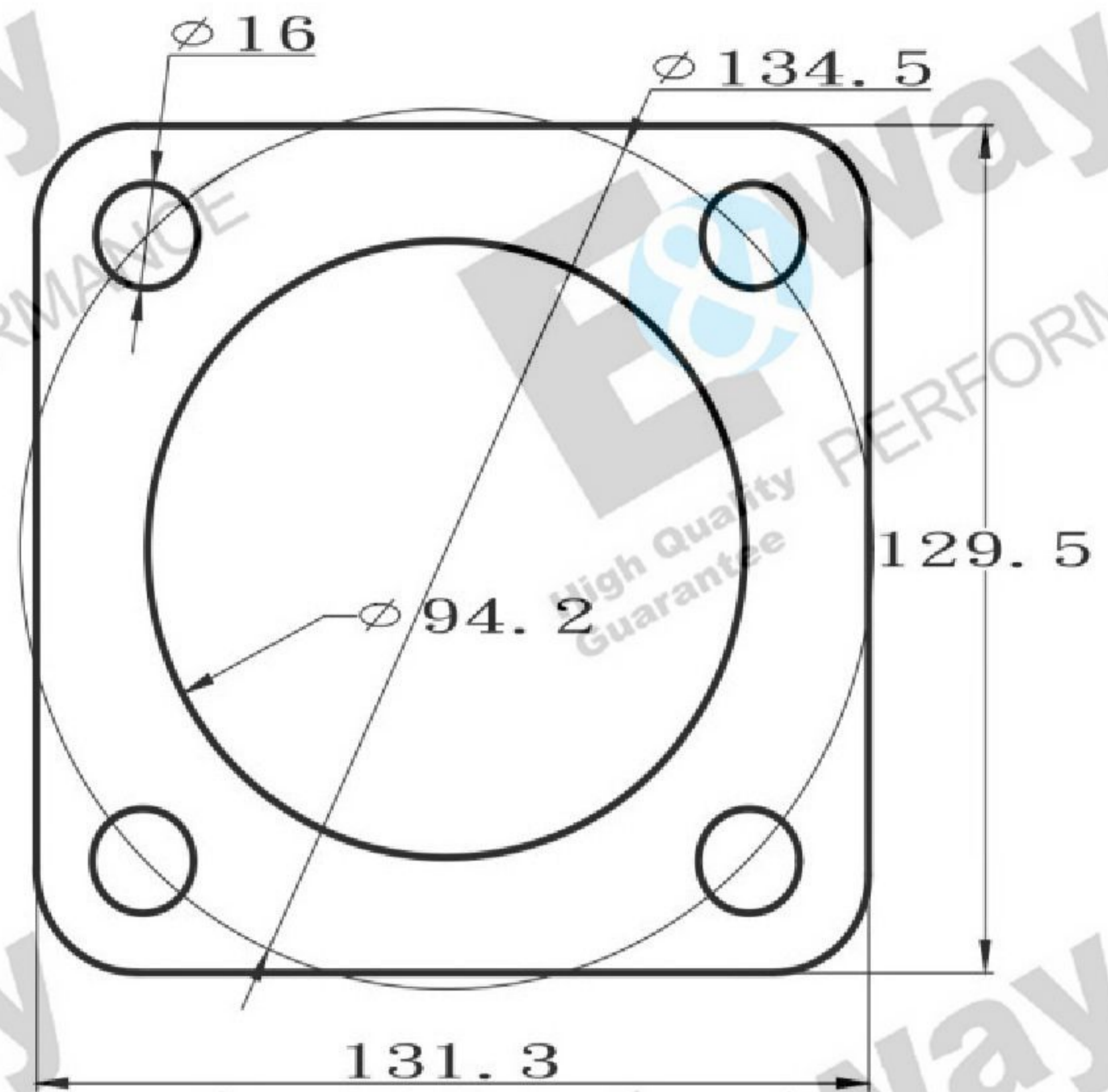


Inside Diameter(ID)=77/mm(3.03")
 Bolt Circle=115/mm(4.5")
 Bolt Hole=15.3/mm(0.6")
 Thickness=1.6~2.0/mm(0.06"~0.08")
 Material:Steel(Mixed Asbestos Free)+Stainless Steel(Hole)

EP4-021

4-Bolt Exhaust Flange/Muffler/Pipe Gasket P8

P8



Inside Diameter(ID)=94.2/mm(3.7")

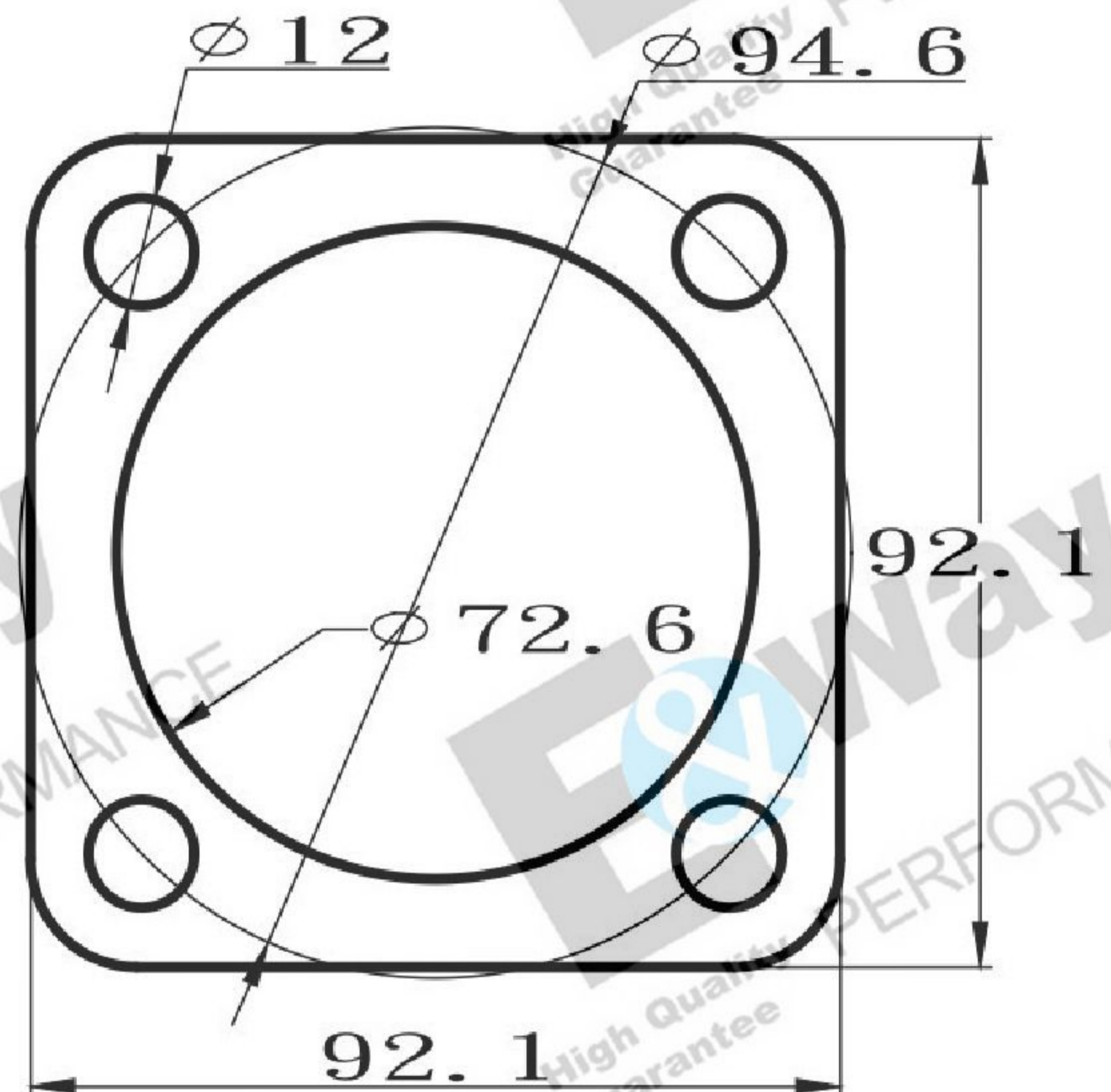
Bolt Circle=134.5/mm(5.29")

Bolt Hole=16/mm(0.62")

Thickness=1.6~2.0/mm(0.06"~0.08")

Material:Steel(Mixed Asbestos Free)+Stainless Steel(Hole)

EP4-022



Inside Diameter(ID)=72.6/mm(2.85")

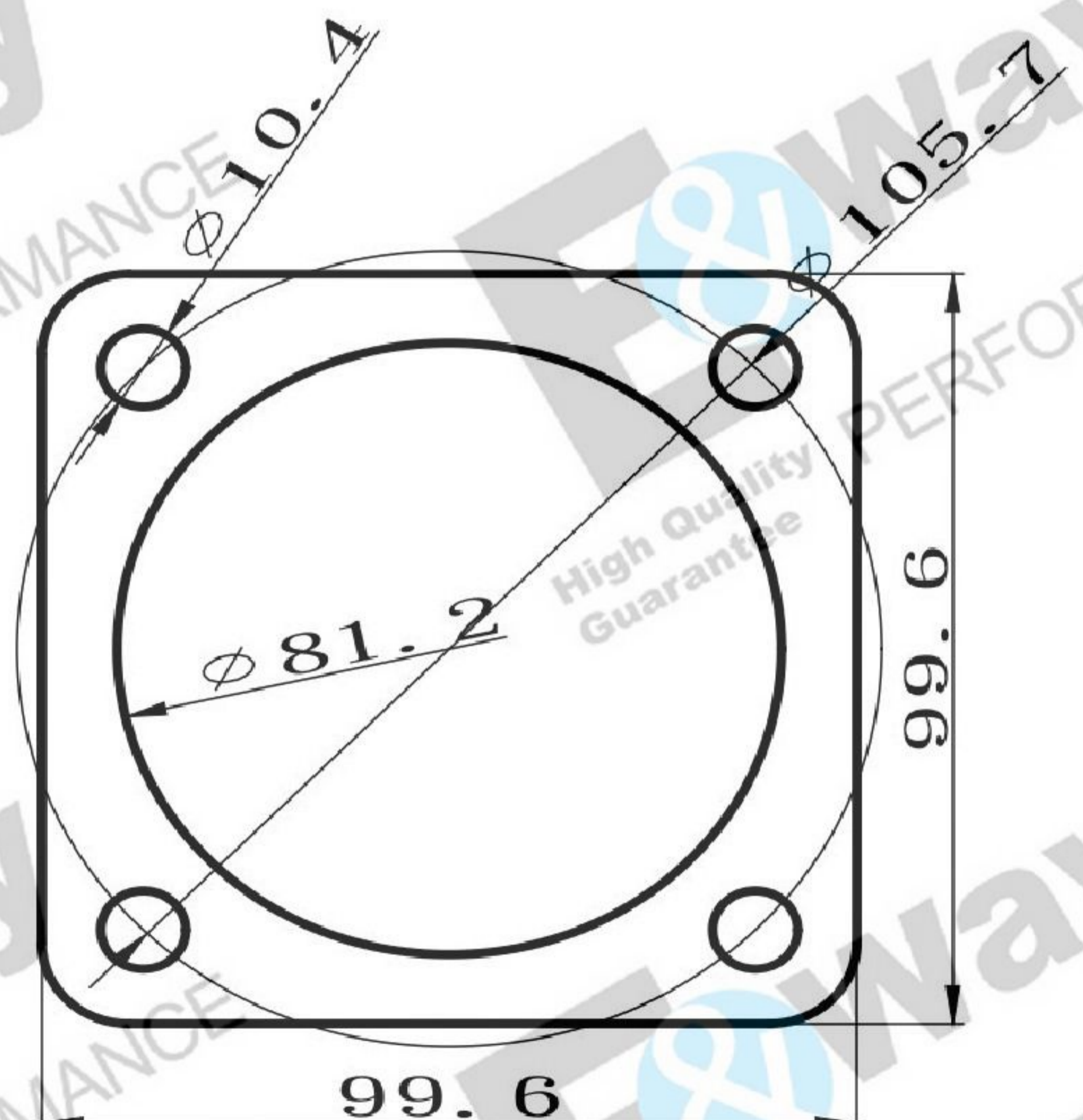
Bolt Circle=94.6/mm(3.72")

Bolt Hole=12/mm(0.47")

Thickness=1.6~2.0/mm(0.06"~0.08")

Material:Steel(Mixed Asbestos Free)+Stainless Steel(Hole)

EP4-023



Inside Diameter(ID)=81.2/mm(3.20")

Bolt Circle=105.7/mm(4.16")

Bolt Hole=10.4/mm(0.41")

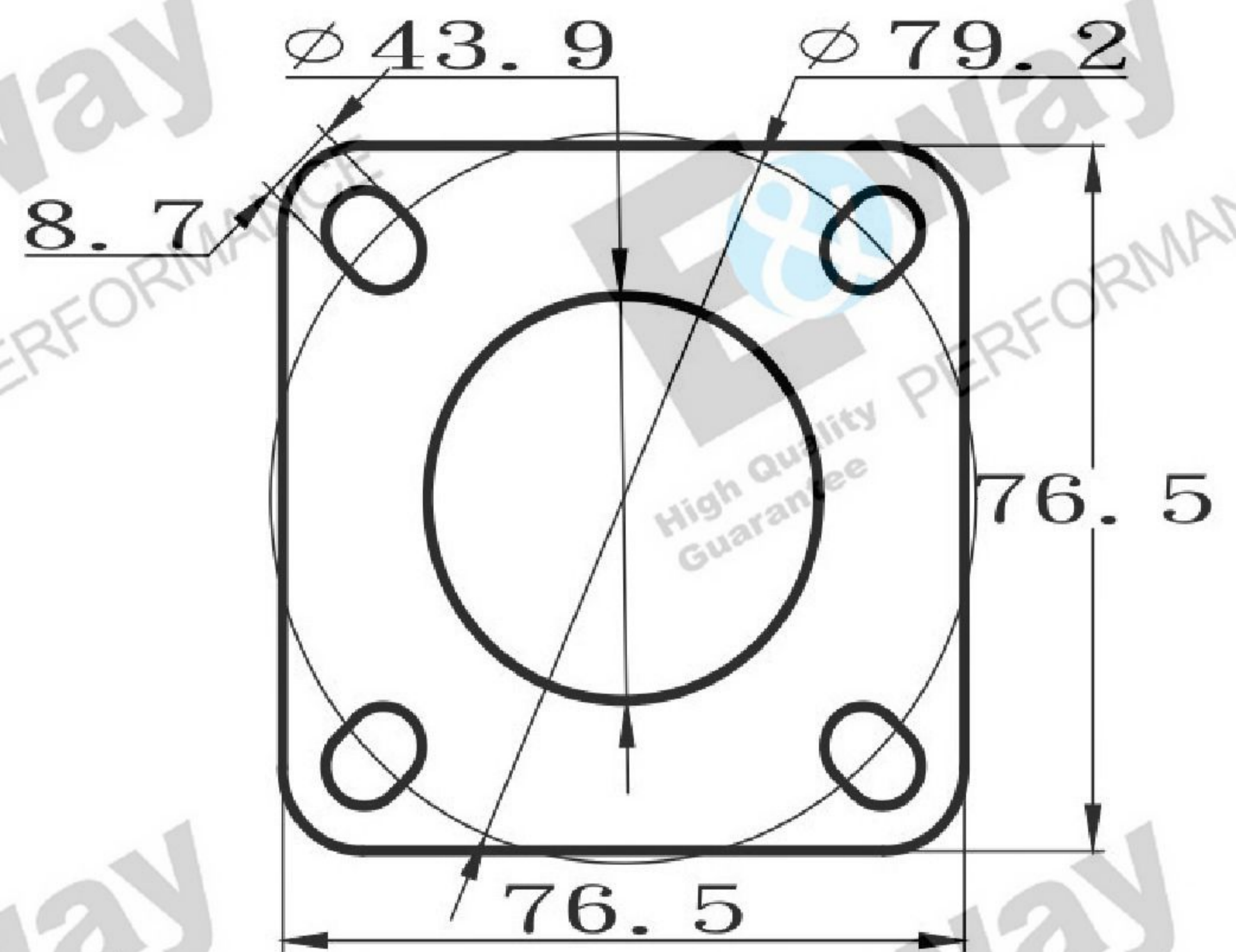
Thickness=1.6~2.0/mm(0.06"~0.08")

Material:Steel(Mixed Asbestos Free)+Stainless Steel(Hole)

EP4-024

4-Bolt Exhaust Flange/Muffler/Pipe Gasket P9

P9



Inside Diameter(ID)=43.9/mm(1.72")

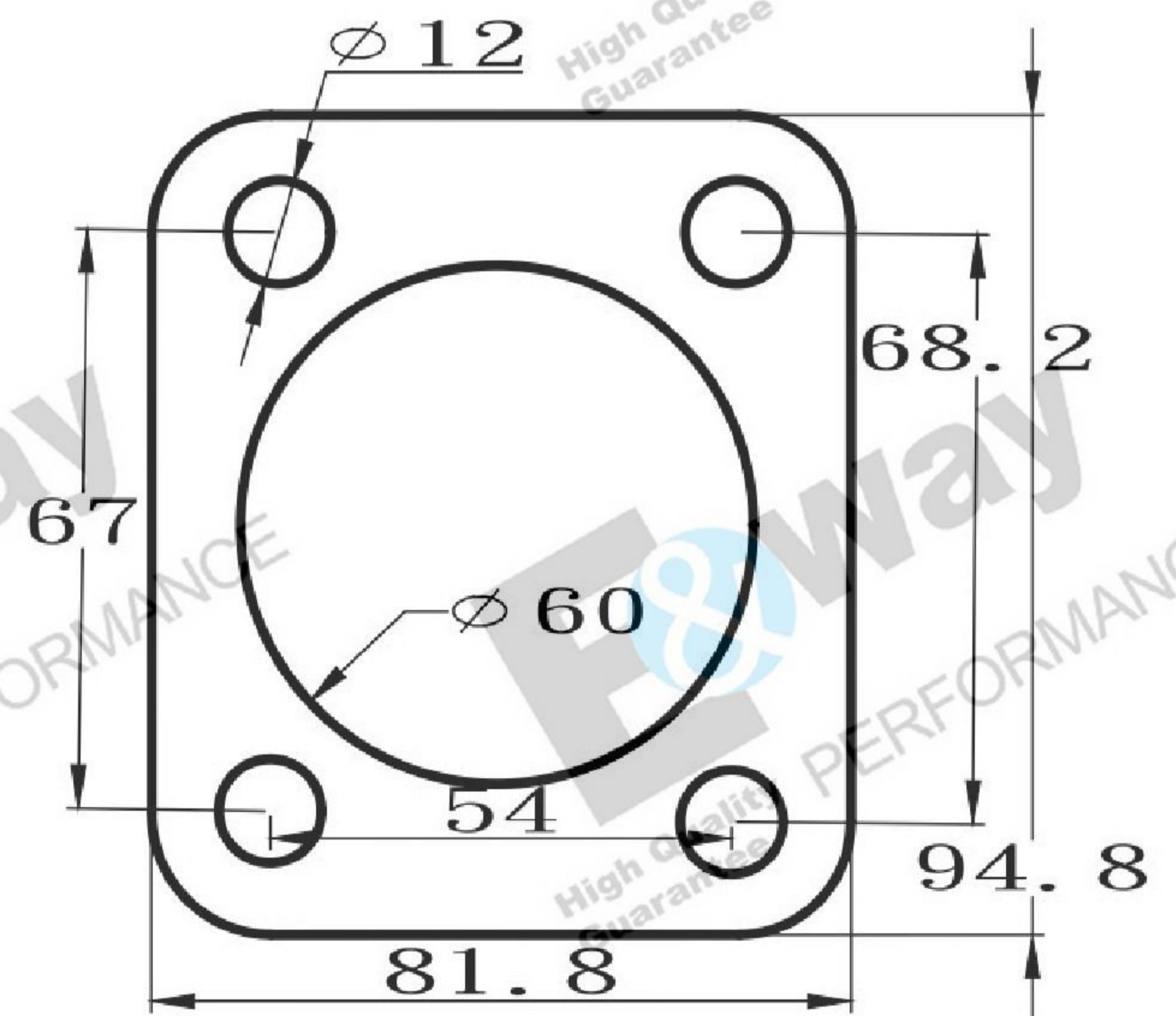
Bolt Circle=79.2/mm(3.11")

Bolt Hole=8.7/mm(0.34")

Thickness=1.6~2.0/mm(0.06"~0.08")

Material:Steel(Mixed Asbestos Free)+Stainless Steel(Hole)+Steel(MoS2 Coated)

EP4-025



Inside Diameter(ID)=60/mm(2.36")

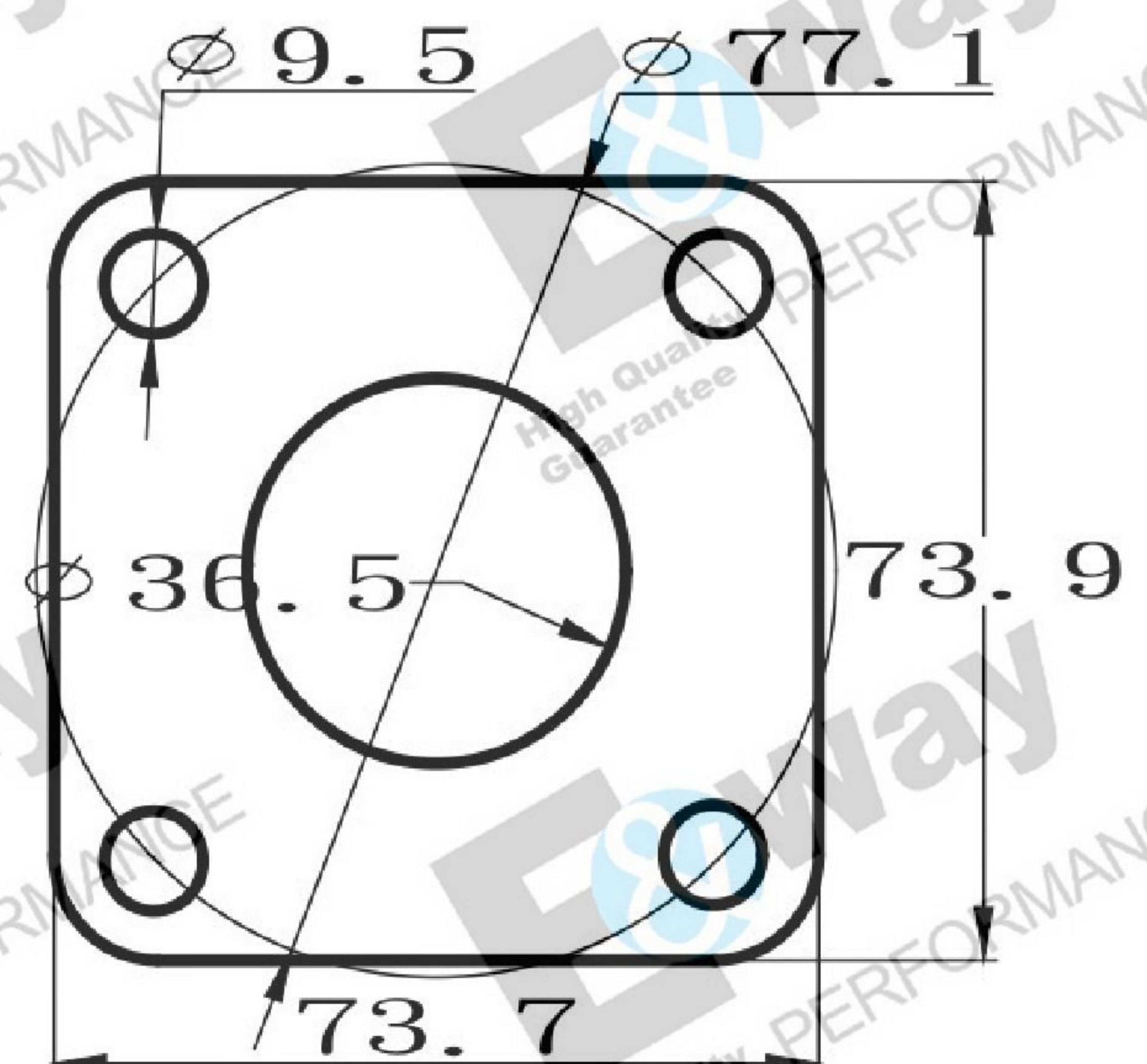
Bolt To Bolt=67/mm(2.63")68.2/mm(2.68")

Bolt Hole=12/mm(0.47")

Thickness=1.6~2.0/mm(0.06"~0.08")

Material:Steel(Mixed Asbestos Free)

EP4-026



Inside Diameter(ID)=36.5/mm(1.43")

Bolt Circle=77.1/mm(3.05")

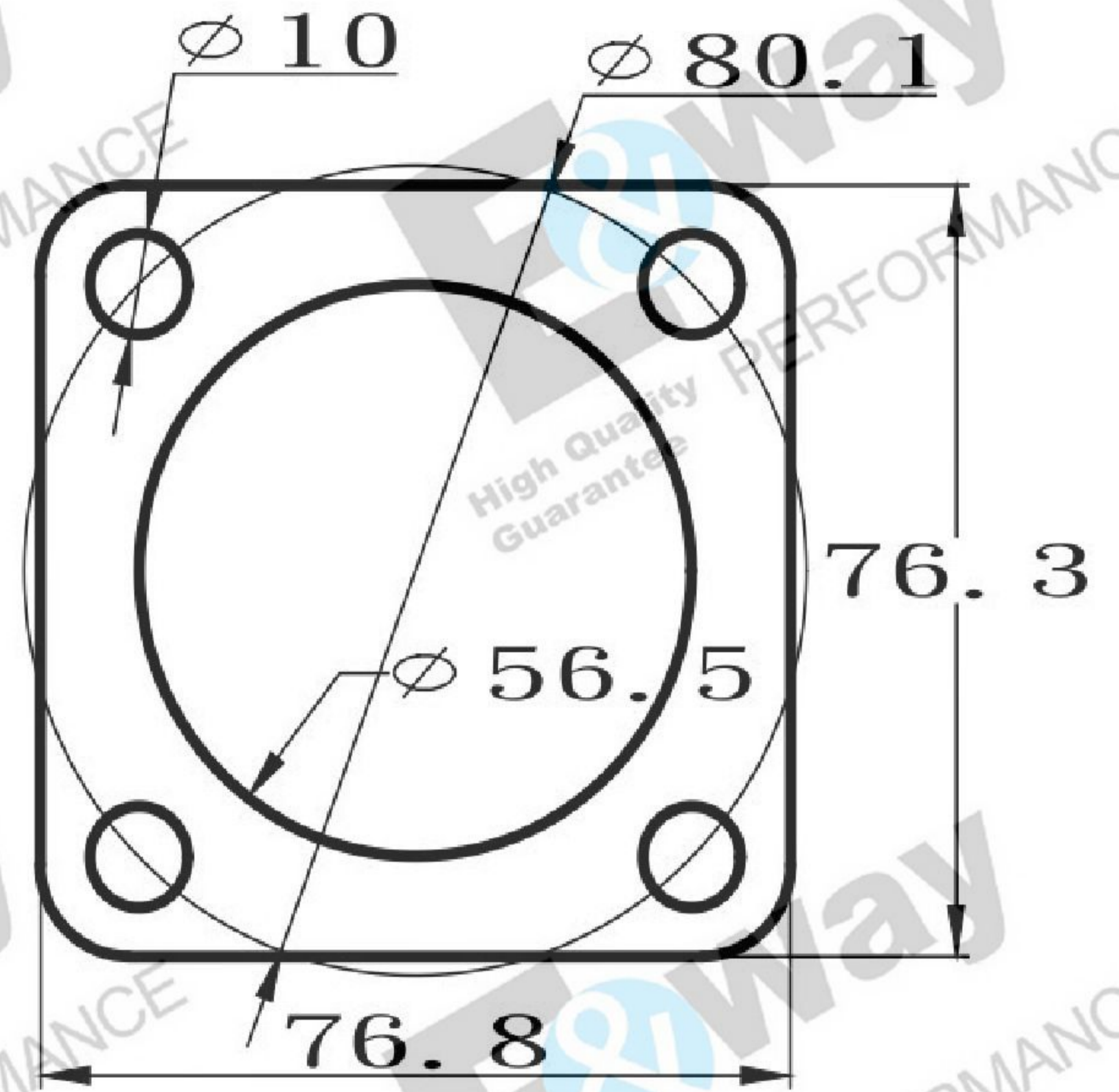
Bolt Hole=9.5/mm(0.37")

Thickness=1.6~2.0/mm(0.06"~0.08")

Material:Steel(Mixed Asbestos Free)

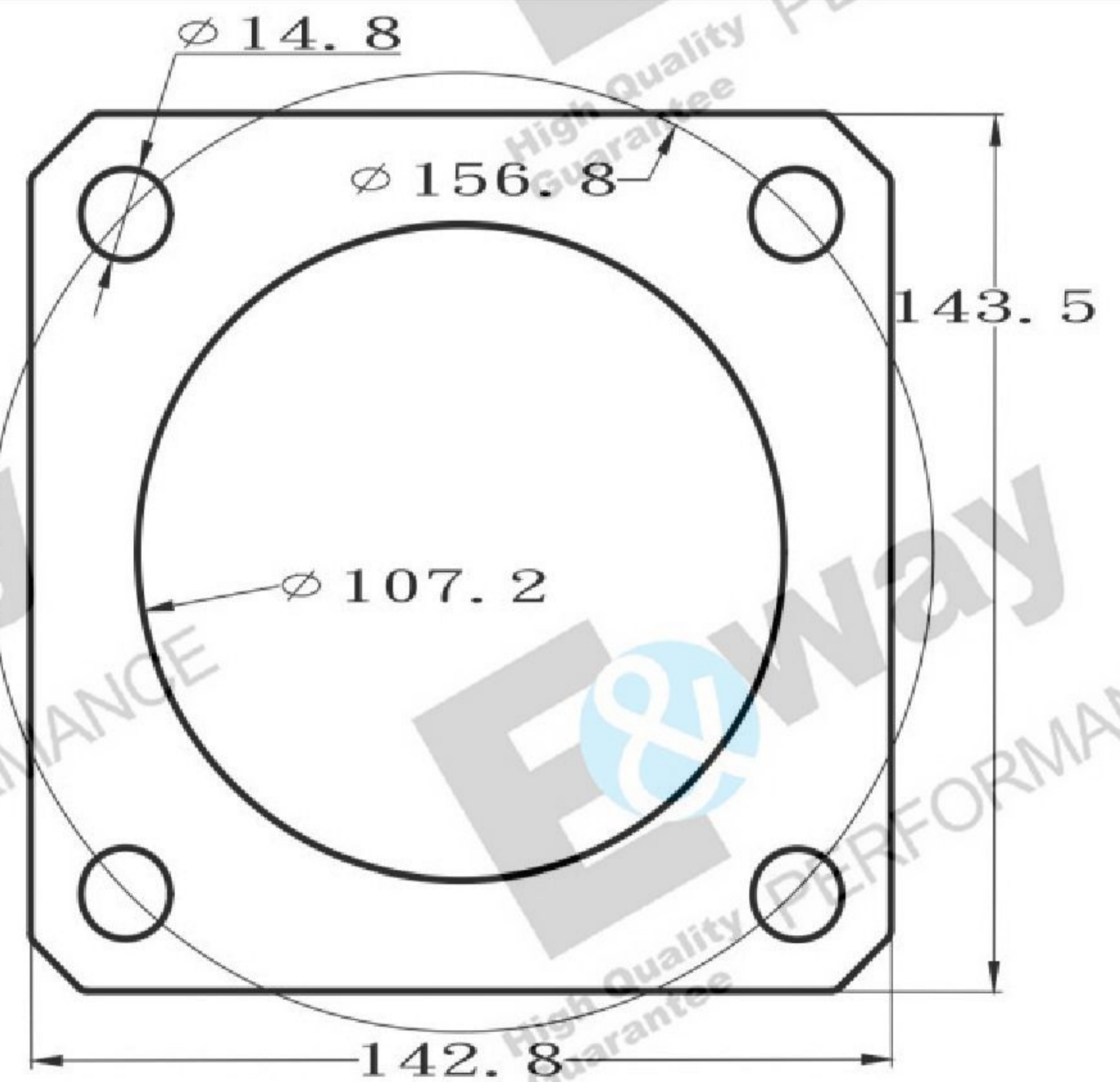
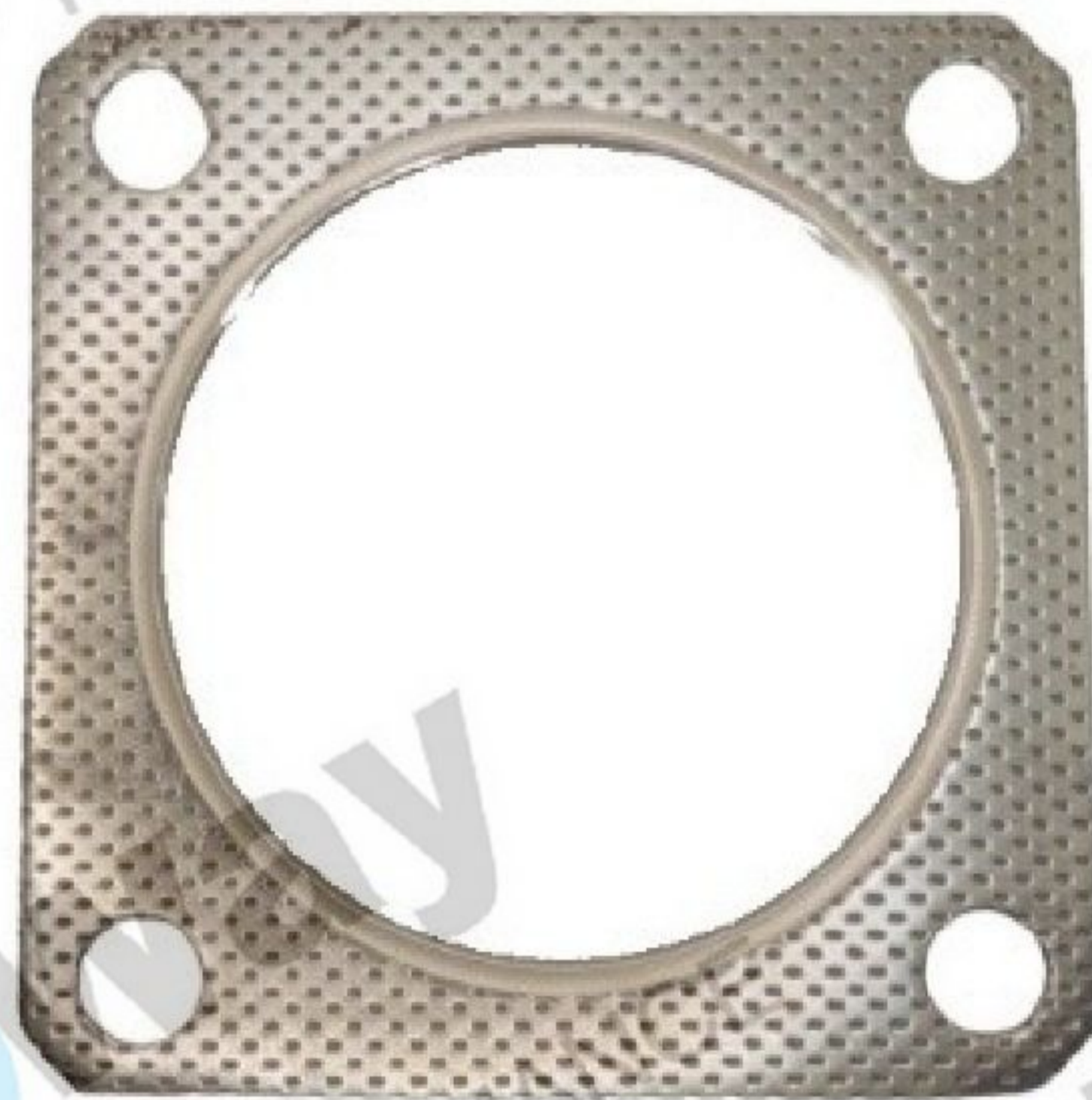
EP4-027

4-Bolt Exhaust Flange/Muffler/Pipe Gasket P10



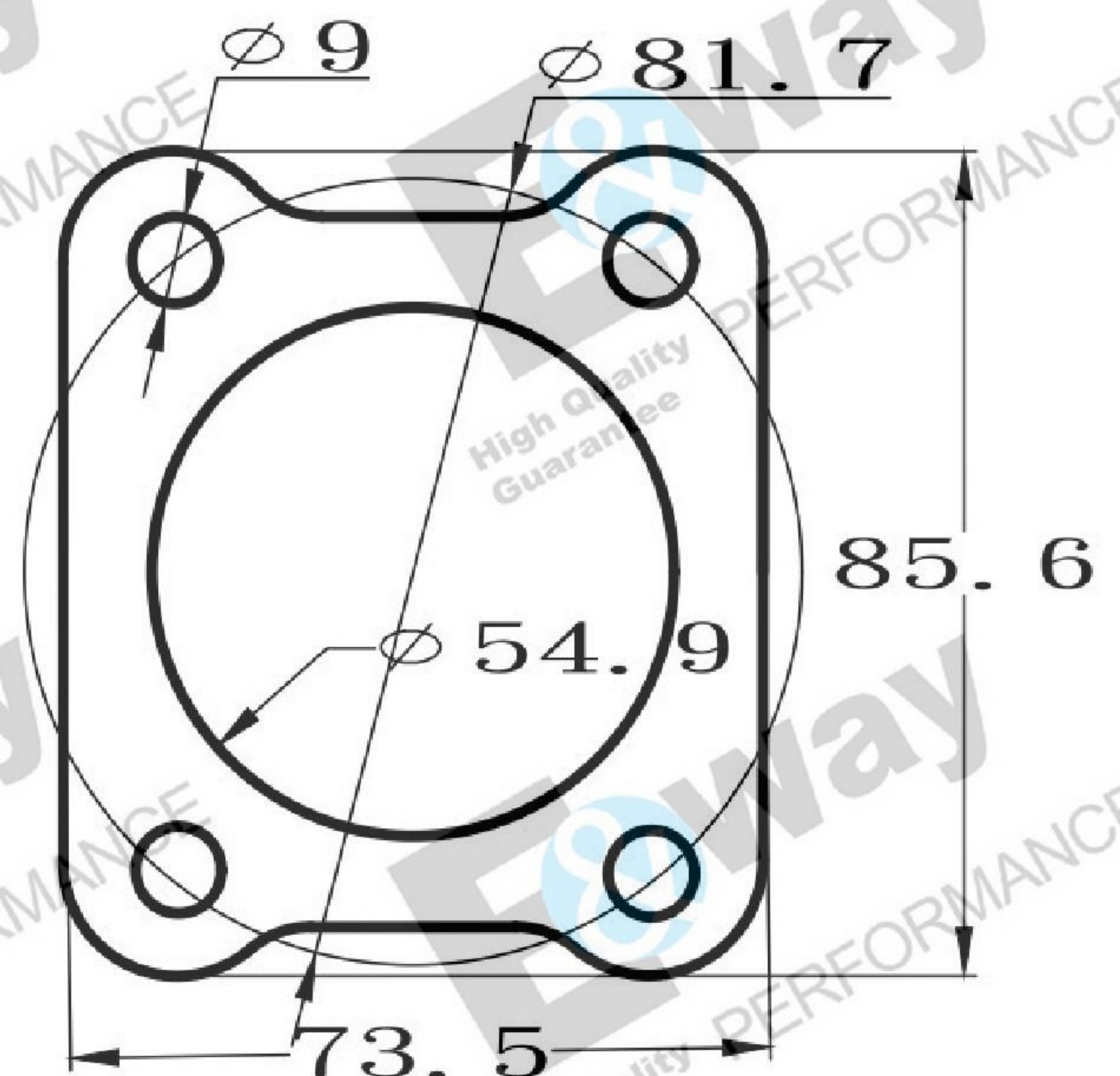
Inside Diameter(ID)=56.5/mm(2.22")
 Bolt Circle=80.1/mm(3.15")
 Bolt Hole=10/mm(0.39")
 Thickness=1.6~2.0/mm(0.06"~0.08")
 Material:Steel(Mixed Asbestos Free)

EP4-028



Inside Diameter(ID)=107.2/mm(4.22")
 Bolt Circle=156.8/mm(6.17")
 Bolt Hole=14.8/mm(0.58")
 Thickness=1.6~2.0/mm(0.06"~0.08")
 Material:Steel(Mixed Asbestos Free)+Stainless Steel(Hole)

EP4-029

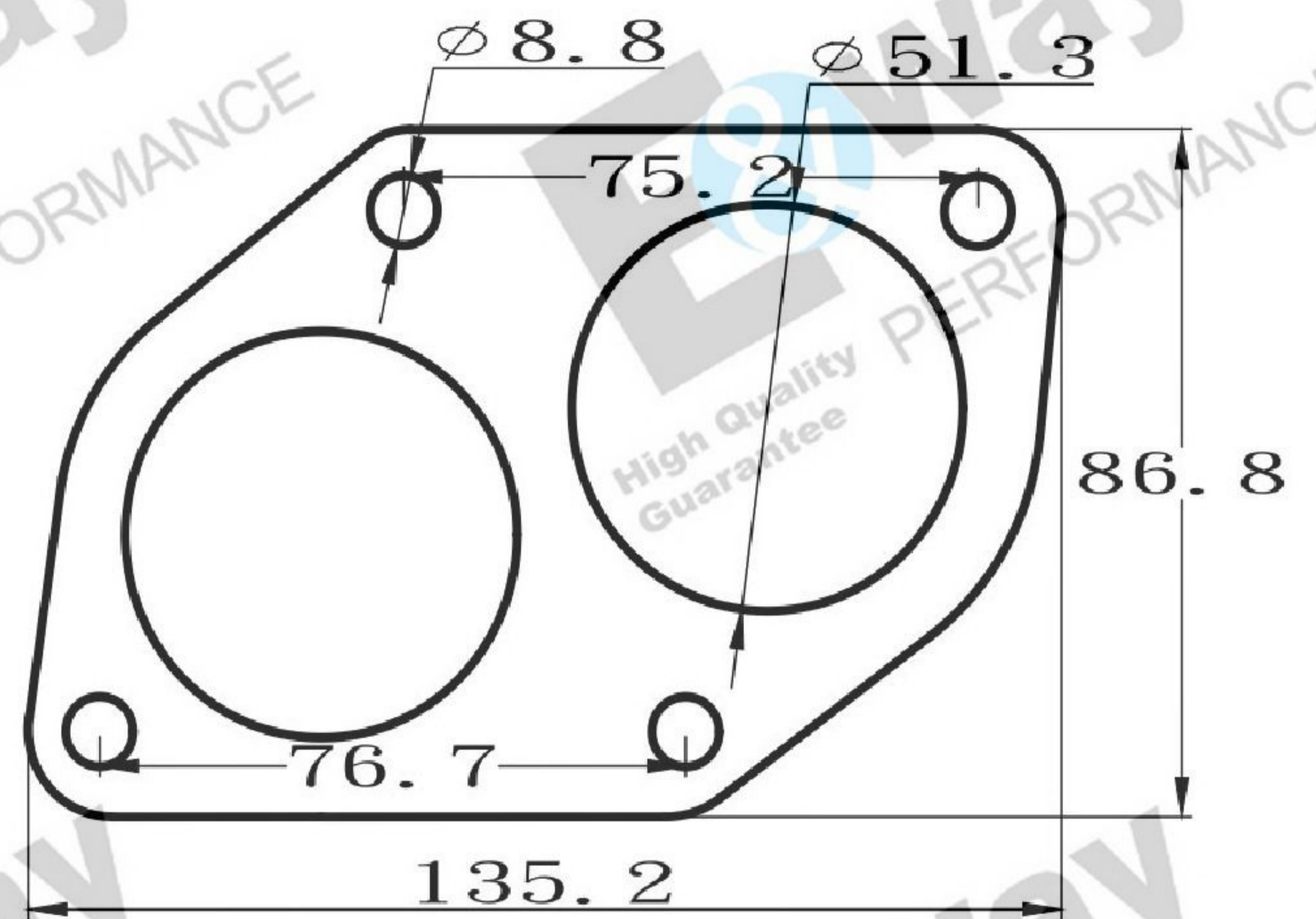


Inside Diameter(ID)=54.9/mm(2.16")
 Bolt Circle=81.7/mm(3.21")
 Bolt Hole=9/mm(0.35")
 Thickness=1.6~2.0/mm(0.06"~0.08")
 Material:Steel(Mixed Asbestos Free)

EP4-030

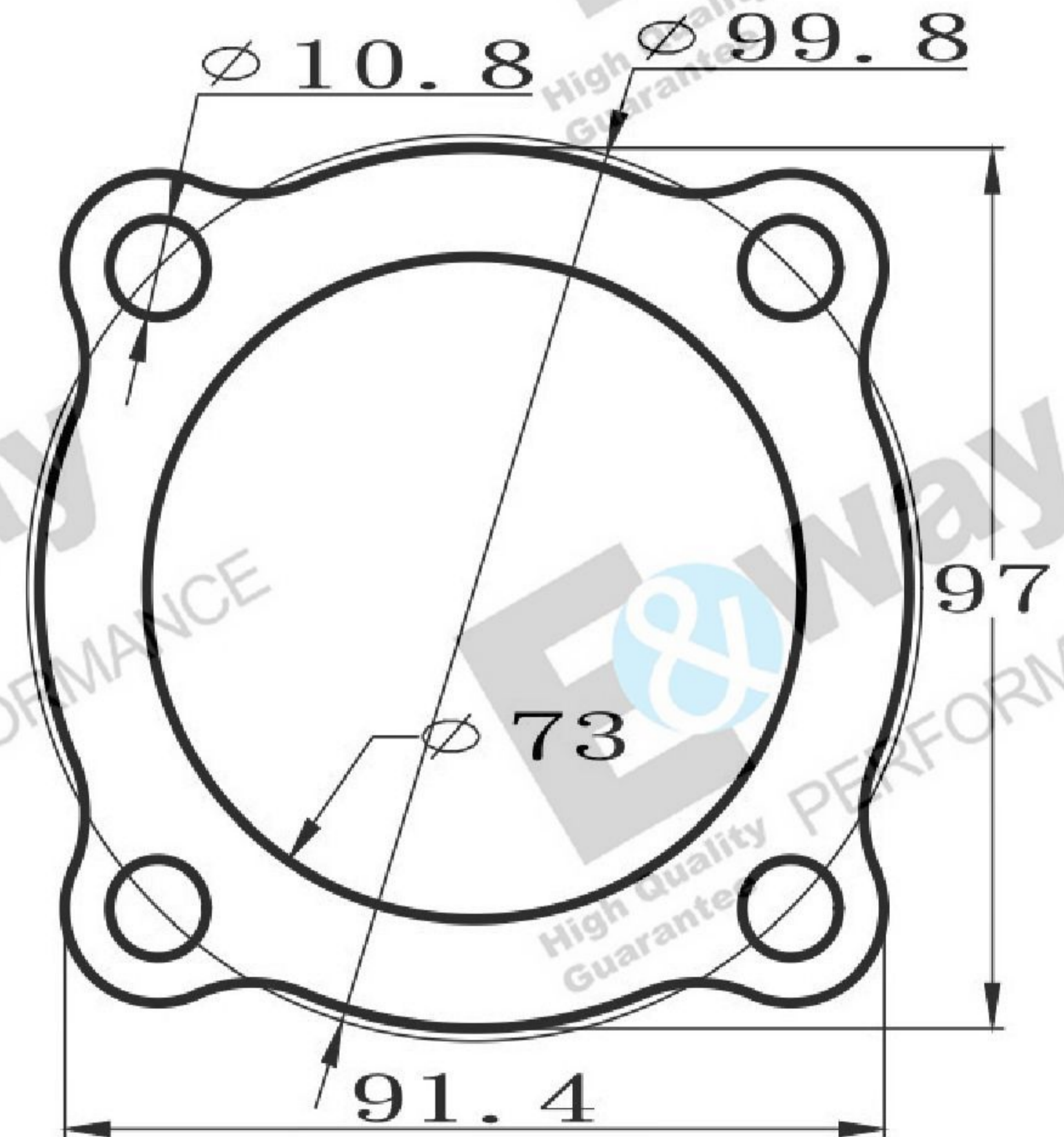
4-Bolt Exhaust Flange/Muffler/Pipe Gasket P11

P11



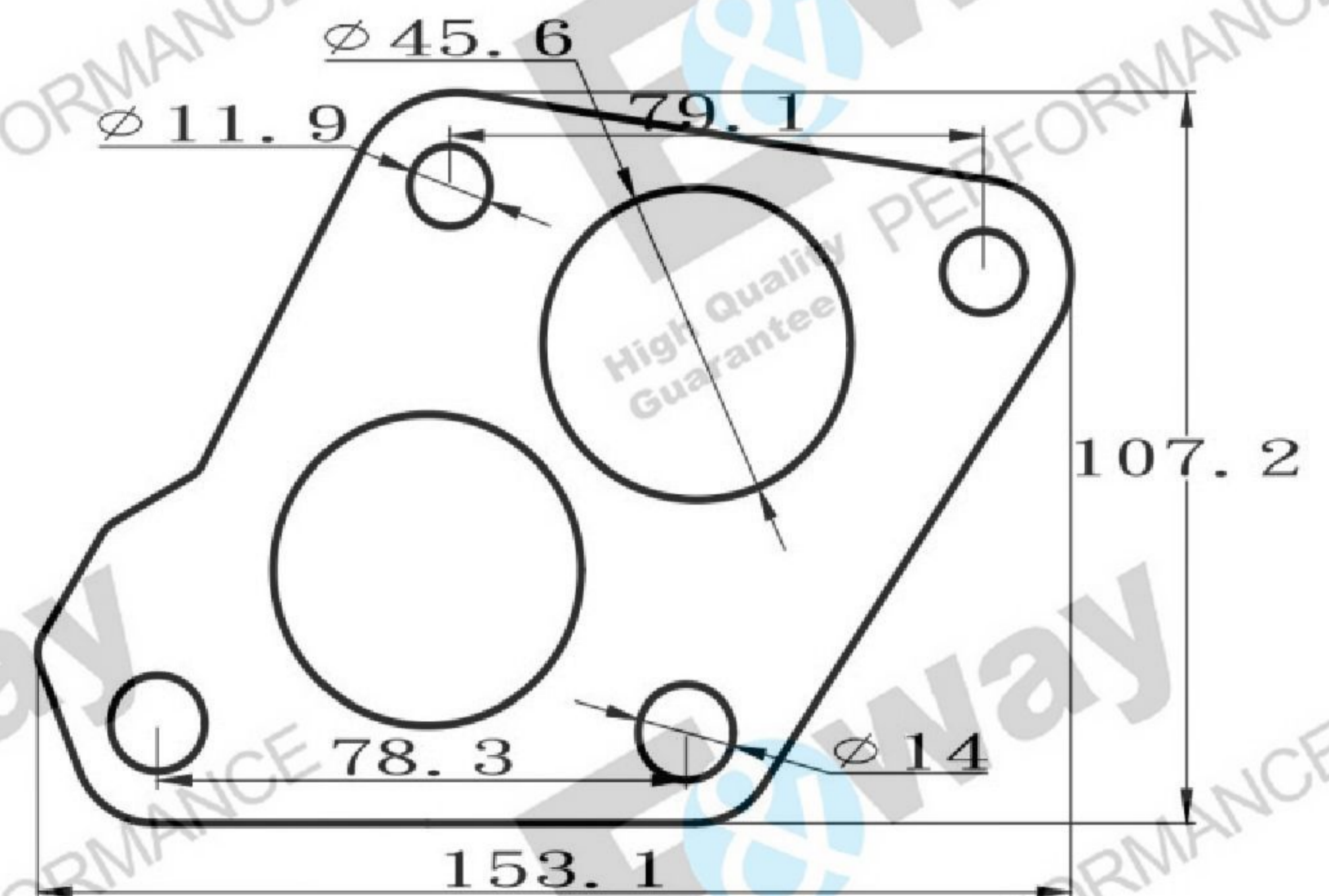
Inside Diameter(ID)=51.3/mm(2.01")
 Bolt to Bolt=75.2/mm(2.96")76.7/mm(3.01")
 Bolt Hole=8.8/mm(0.34")
 Thickness=1.6~2.0/mm(0.06"~0.08")
 Material:Steel(Mixed Asbestos Free)

EP4-031



Inside Diameter(ID)=73/mm(2.87")
 Bolt Circle=99.8/mm(3.92")
 Bolt Hole=10.8/mm(0.42")
 Thickness=0.77/mm(0.03")
 Material:Steel(3-Layer)

EP4-032

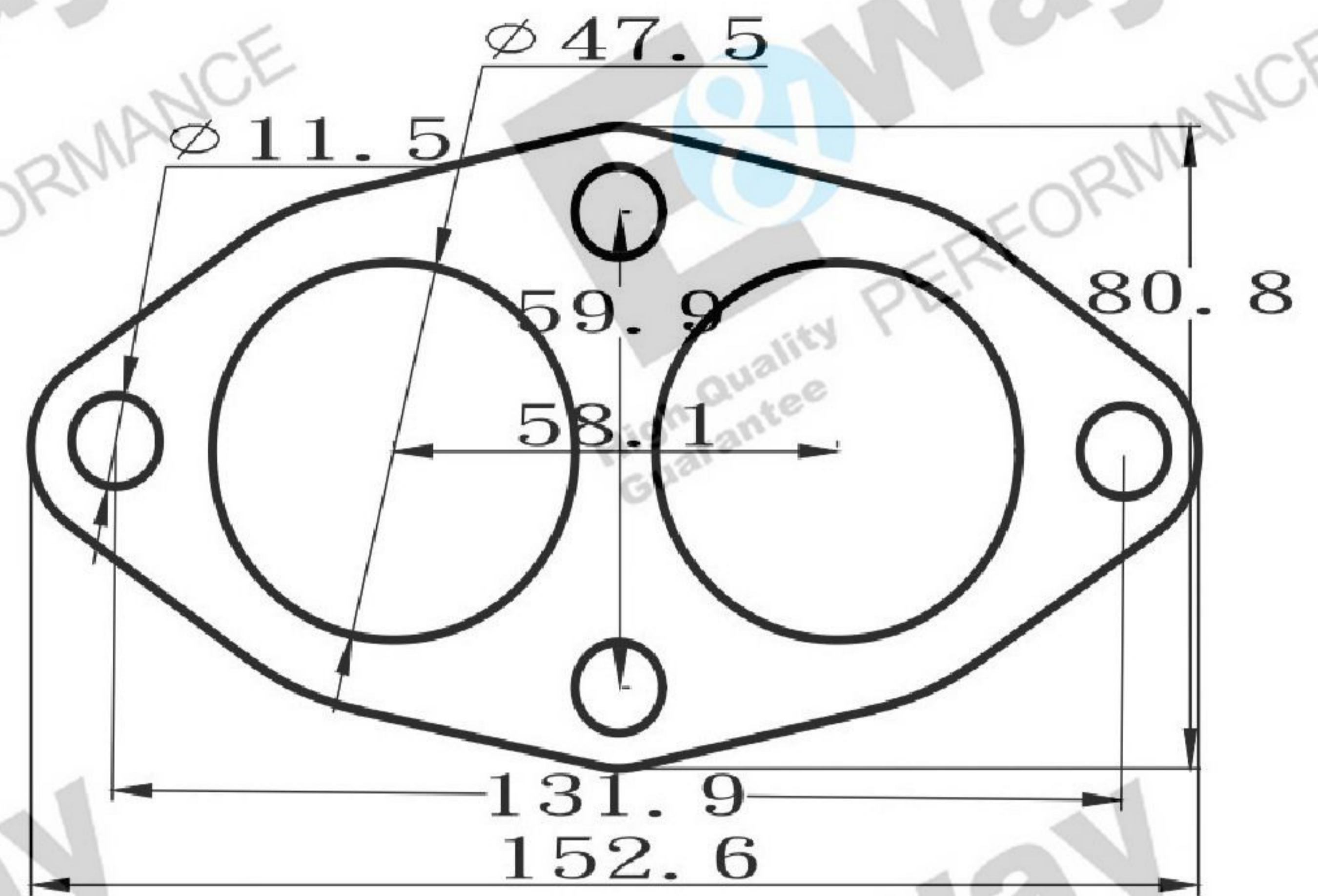


Inside Diameter(ID)=45.6/mm(2.18")
 Bolt To Bolt=79.1/mm(3.11")78.3/mm(3.08")
 Bolt Hole=11.9/mm(0.46")
 Thickness=1.6~2.0/mm(0.06"~0.08")
 Material:Steel(Mixed Asbestos Free)

EP4-033

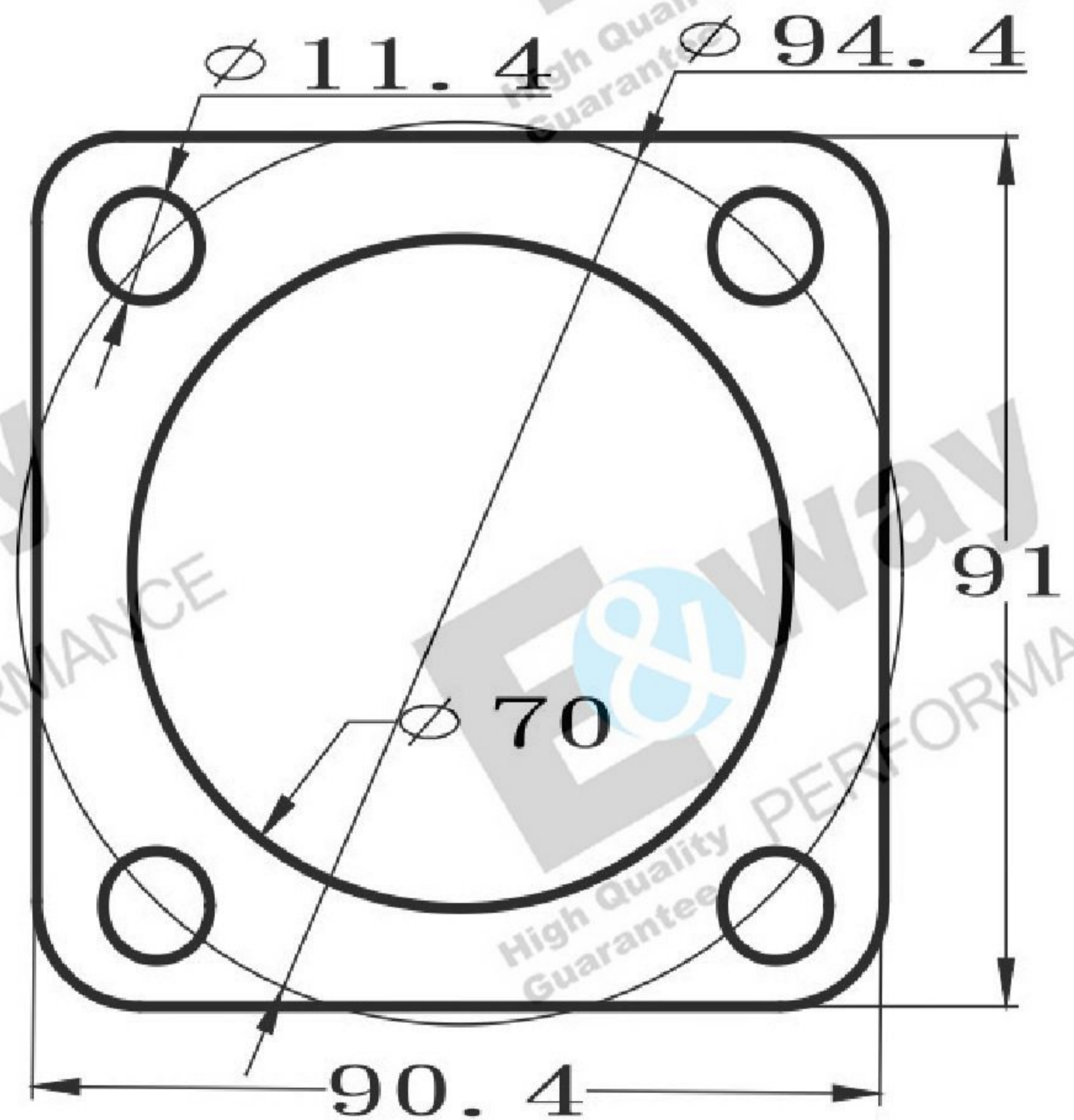
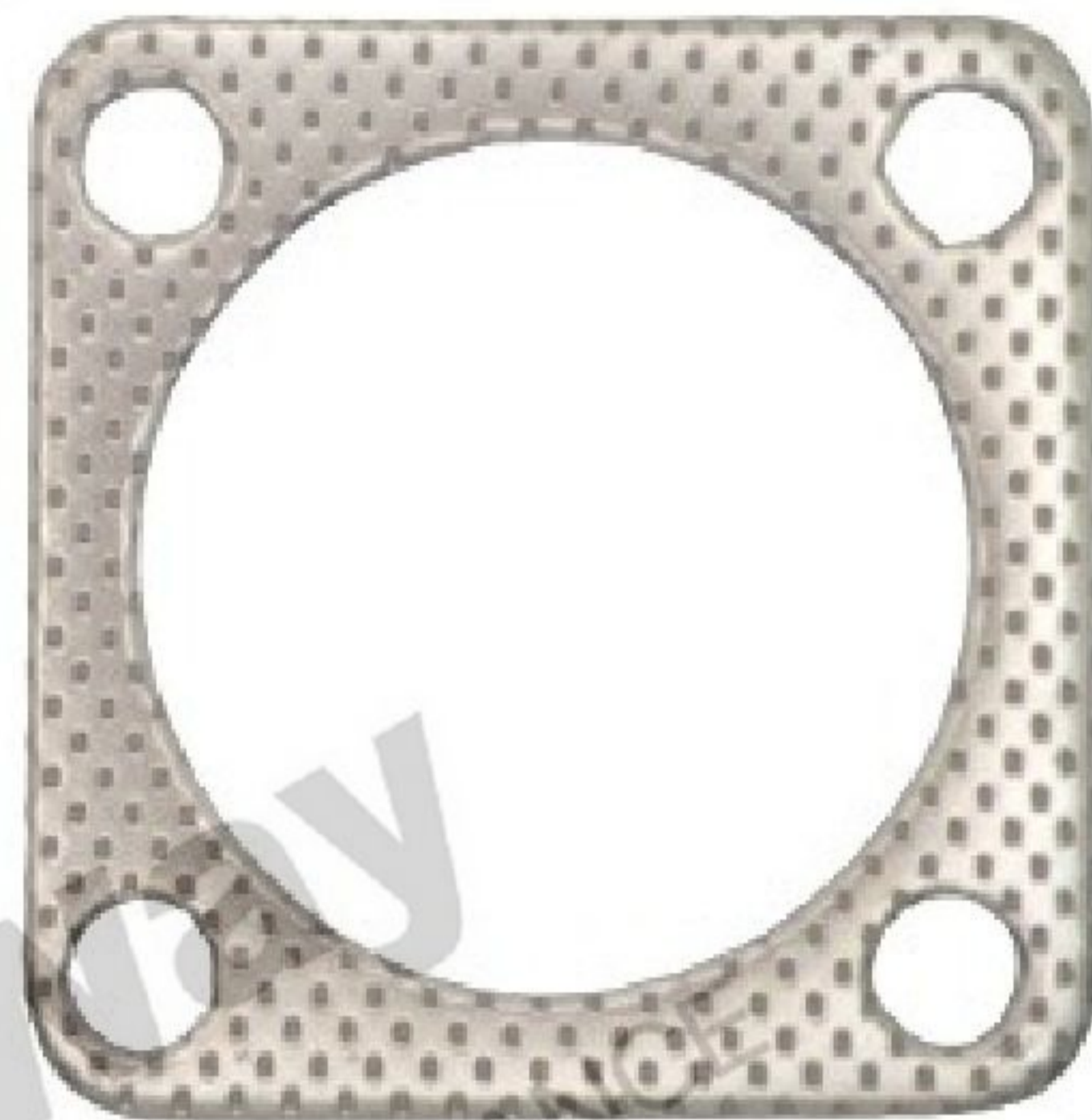
4-Bolt Exhaust Flange/Muffler/Pipe Gasket P12

P12



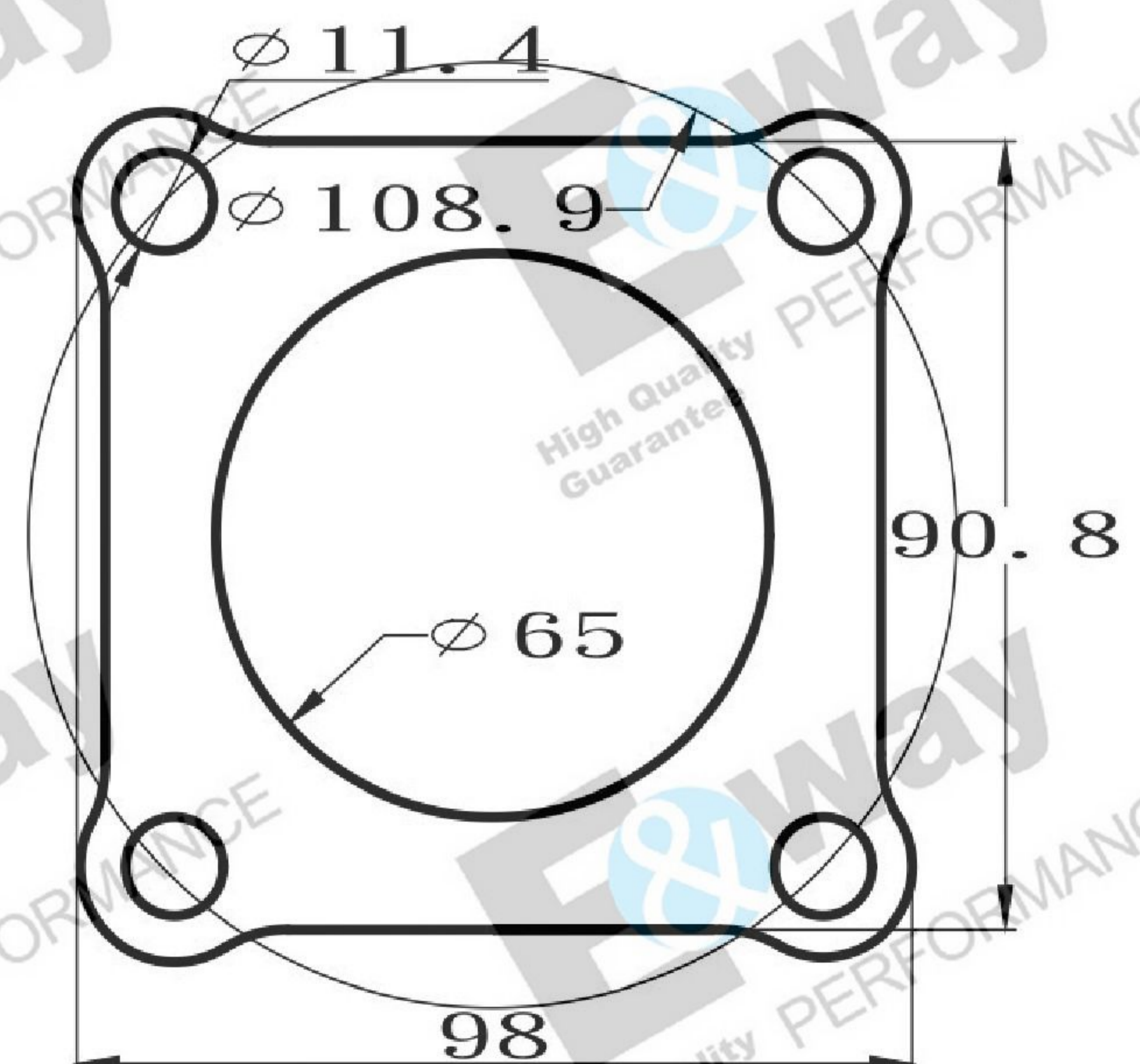
Inside Diameter(ID)=47.5/mm(1.87")
 Bolt To Bolt=131.9/mm(5.19") 59.9/mm(2.35")
 Bolt Hole=11.5/mm(0.45")
 Thickness=1.6~2.0/mm(0.06"~0.08")
 Material:Steel(Mixed Asbestos Free)

EP4-034



Inside Diameter(ID)=70/mm(2.75")
 Bolt Circle=94.4/mm(3.71")
 Bolt Hole=11.4/mm(0.44")
 Thickness=1.6~2.0/mm(0.06"~0.08")
 Material:Steel(Mixed Asbestos Free)

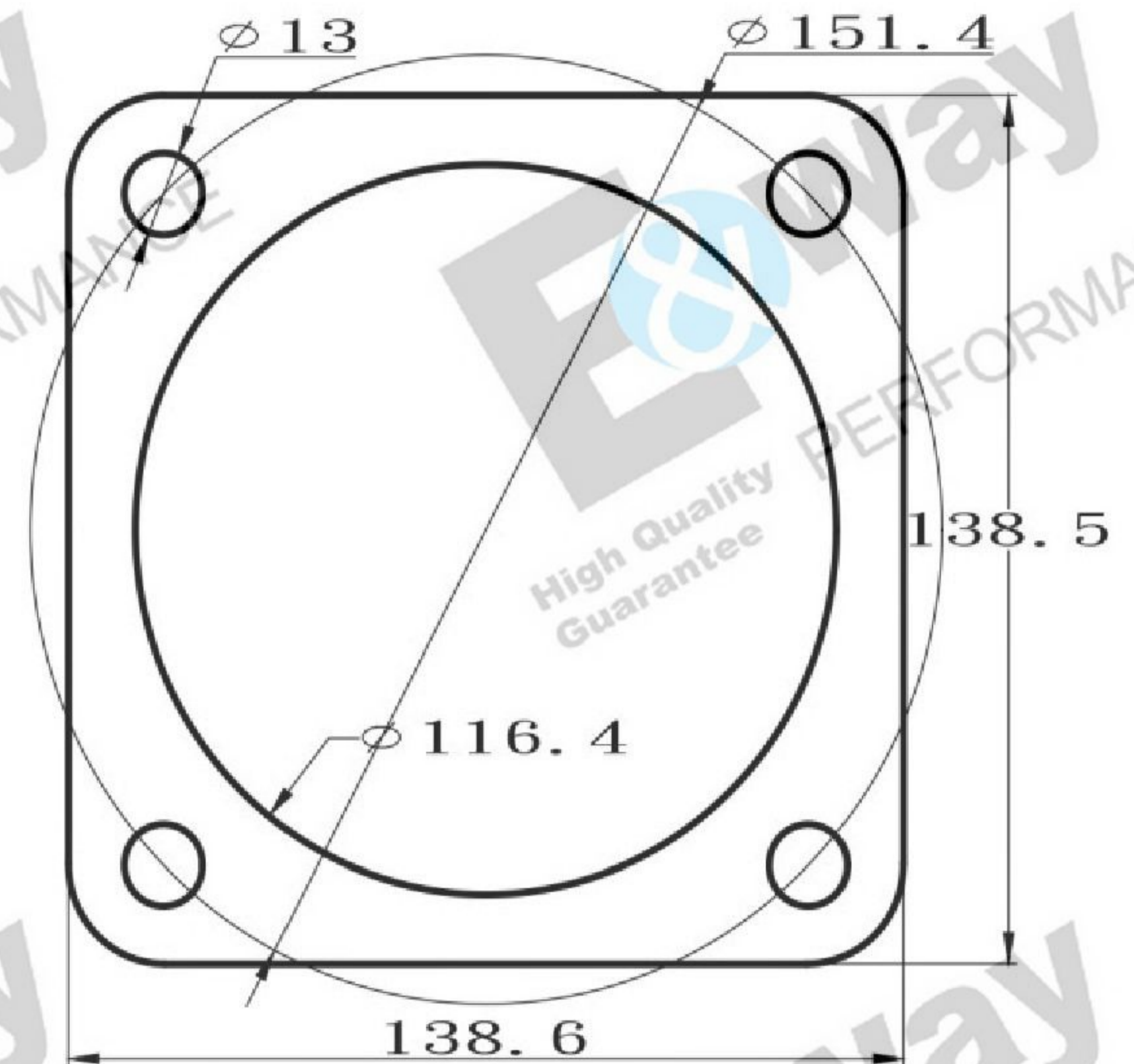
EP4-035



Inside Diameter(ID)=65/mm(2.55")
 Bolt Circle=108.9/mm(4.28")
 Bolt Hole=11.4/mm(0.44")
 Thickness=1.6~2.0/mm(0.06"~0.08")
 Material:Steel(Mixed Asbestos Free)

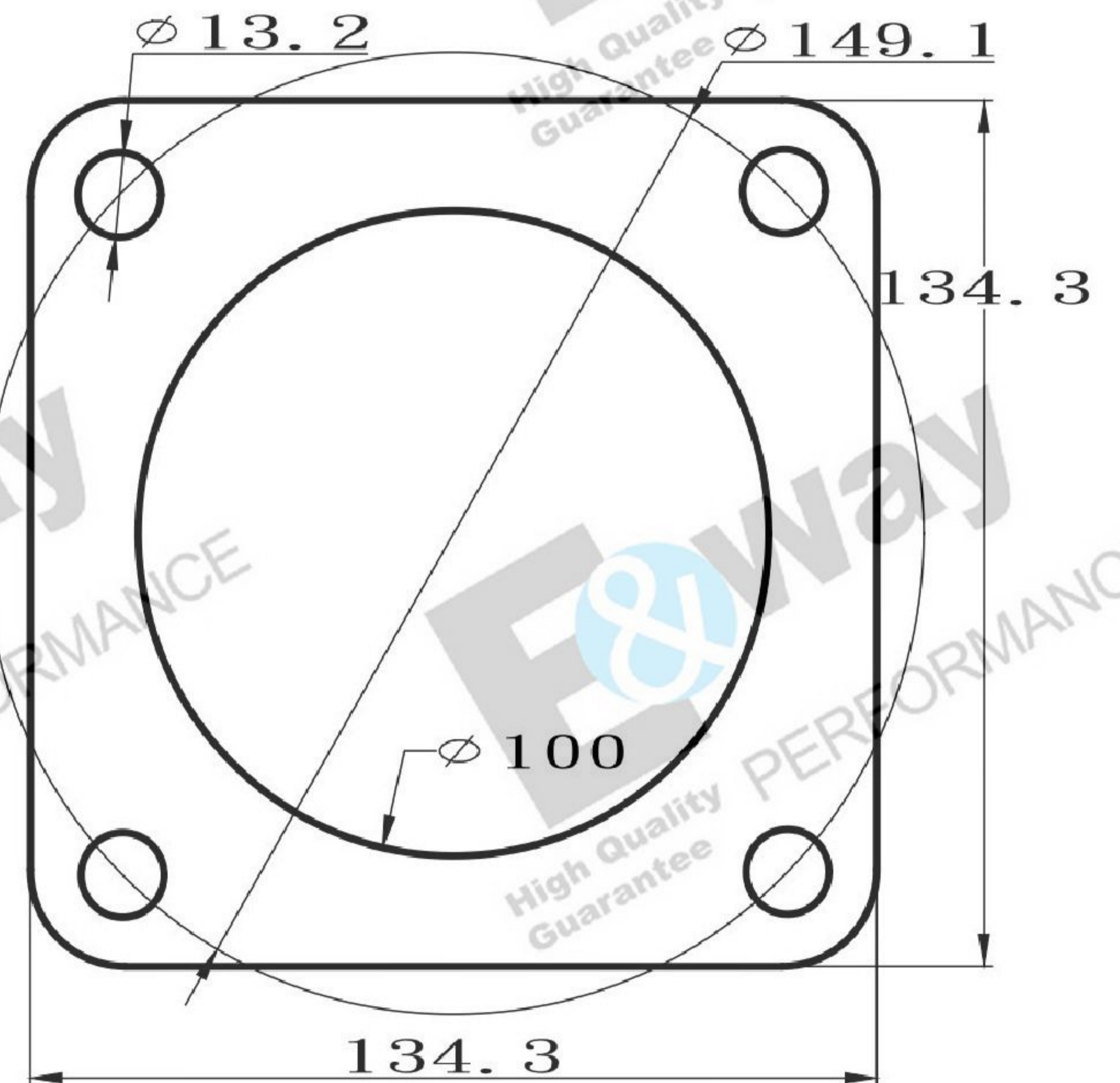
EP4-036

4-Bolt Exhaust Flange/Muffler/Pipe Gasket P13



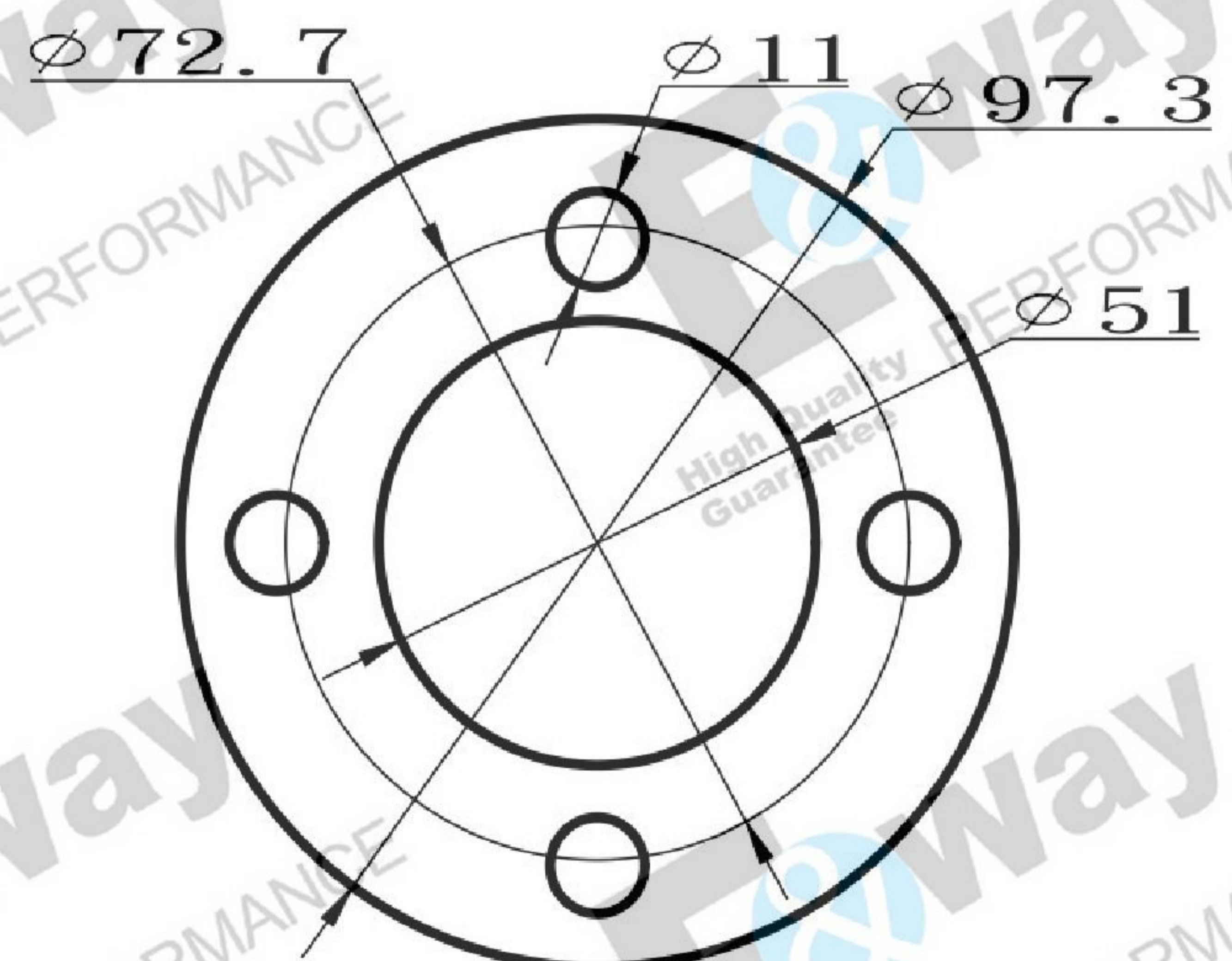
Inside Diameter(ID)=116.4/mm(4.58")
 Bolt Circle=151.4/mm(5.96")
 Bolt Hole=13/mm(0.51")
 Thickness=1.6~2.0/mm(0.06"~0.08")
 Material:Steel(Mixed Asbestos Free)+Stainless Steel(Hole)

EP4-037



Inside Diameter(ID)=100/mm(3.93")
 Bolt Circle=149.1/mm(5.87")
 Bolt Hole=13.2/mm(0.51")
 Thickness=2.0/mm(0.08")
 Material:Stainless Steel(5-Layer)

EP4-038

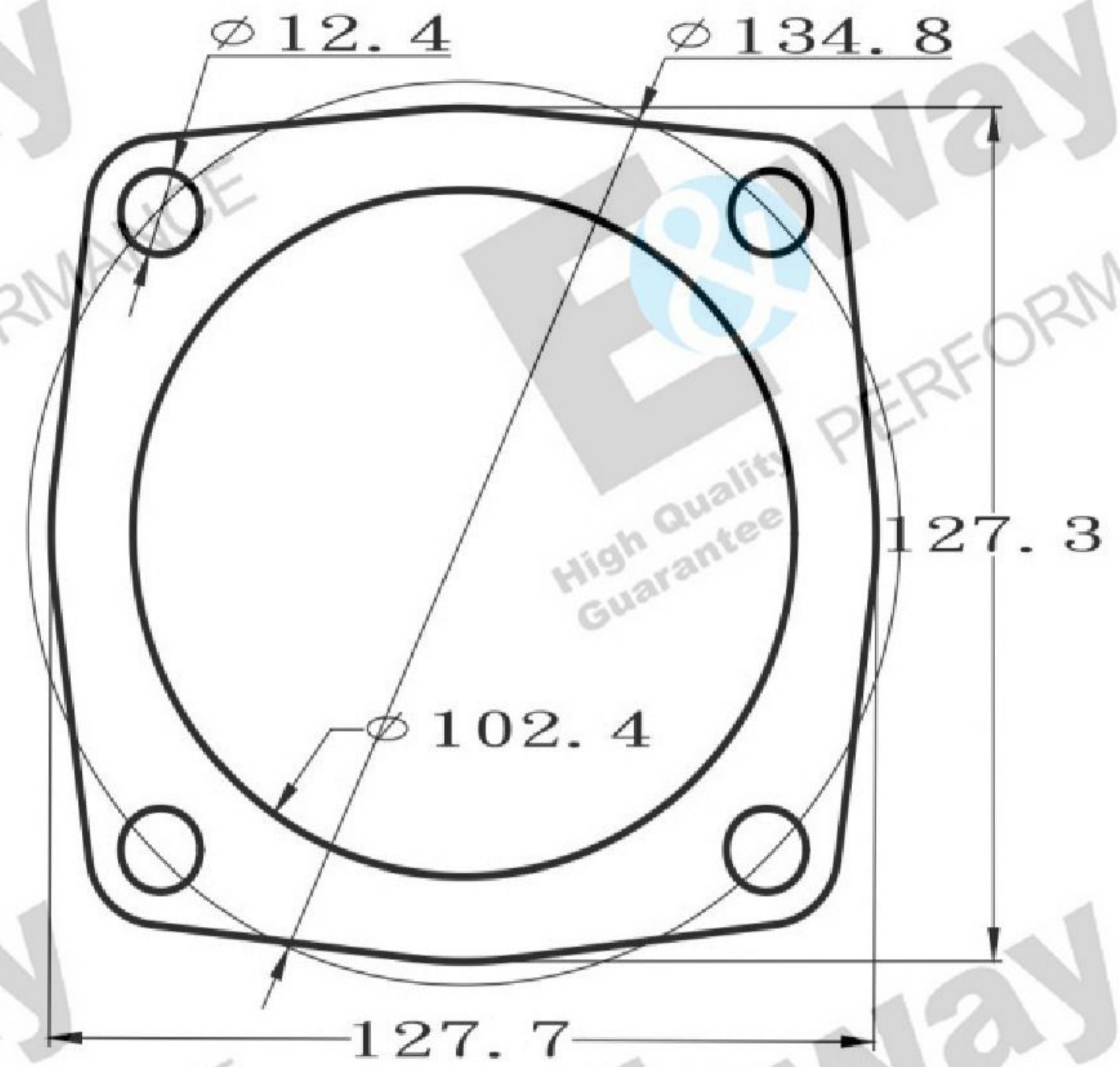


Inside Diameter(ID)=51/mm(2.01")
 Outside Diameter(OD)=97.3/mm(3.83")
 Bolt Circle=72.7/mm(2.86")
 Bolt Hole=11/mm(0.43")
 Thickness=1.6~2.0/mm(0.06"~0.08")
 Material:Steel+Graphite(Mixed Steel)+Steel+Stainless Steel(Hole)

EP4-039

4-Bolt Exhaust Flange/Muffler/Pipe Gasket P14

P14



Inside Diameter(ID)=102.4/mm(4.03")

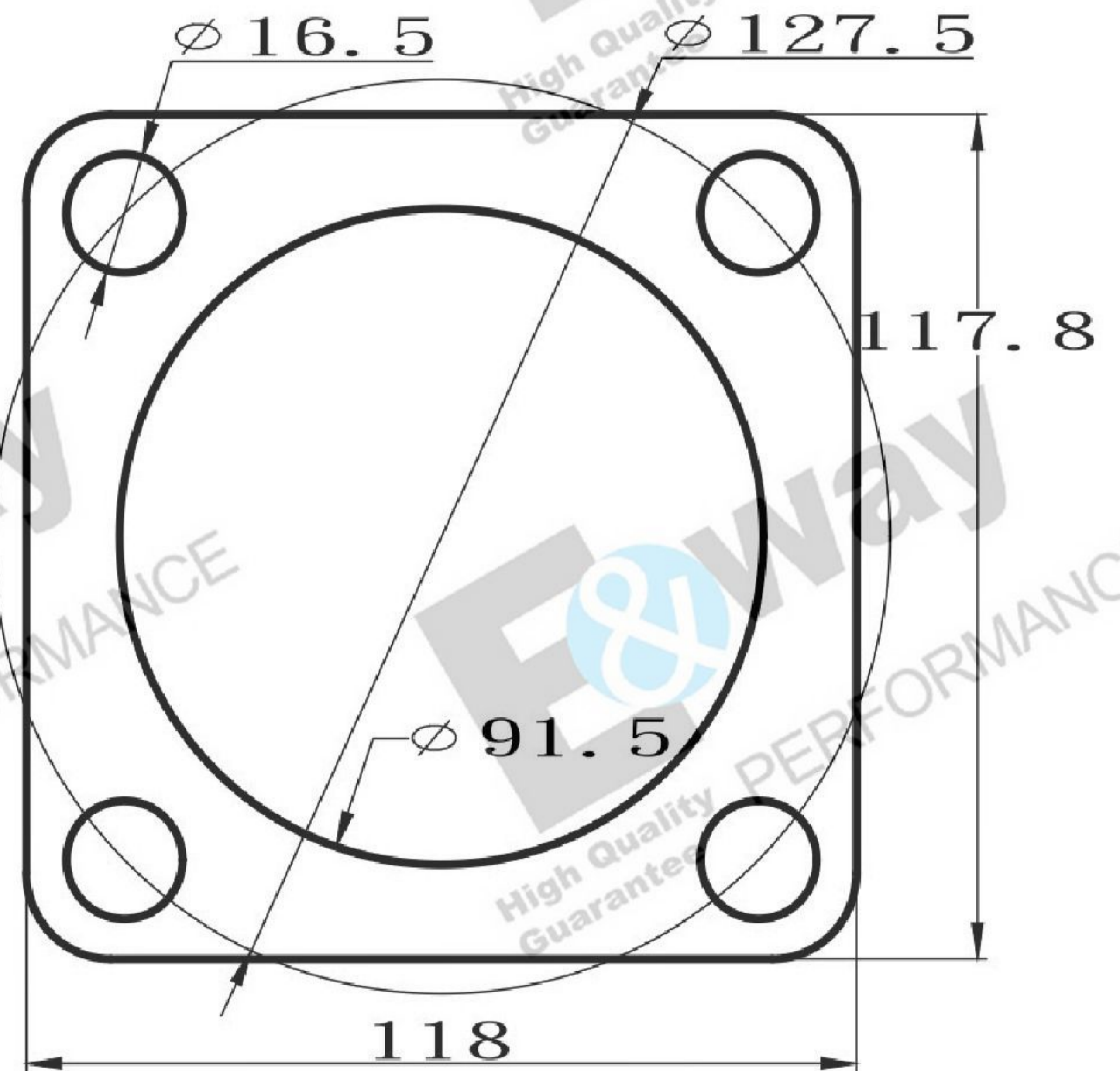
Bolt Circle=134.8/mm(5.3")

Bolt Hole=12.4/mm(0.48")

Thickness=1.6~2.0/mm(0.06"~0.08")

Material:Steel(Mixed Asbestos Free)+Stainless Steel(Hole)

EP4-040



Inside Diameter(ID)=91.5/mm(3.6")

Bolt Circle=127.5/mm(5")

Bolt Hole=16.5/mm(0.64")

Thickness=1.6~2.0/mm(0.06"~0.08")

Material:Steel(Mixed Asbestos Free)

EP4-041