

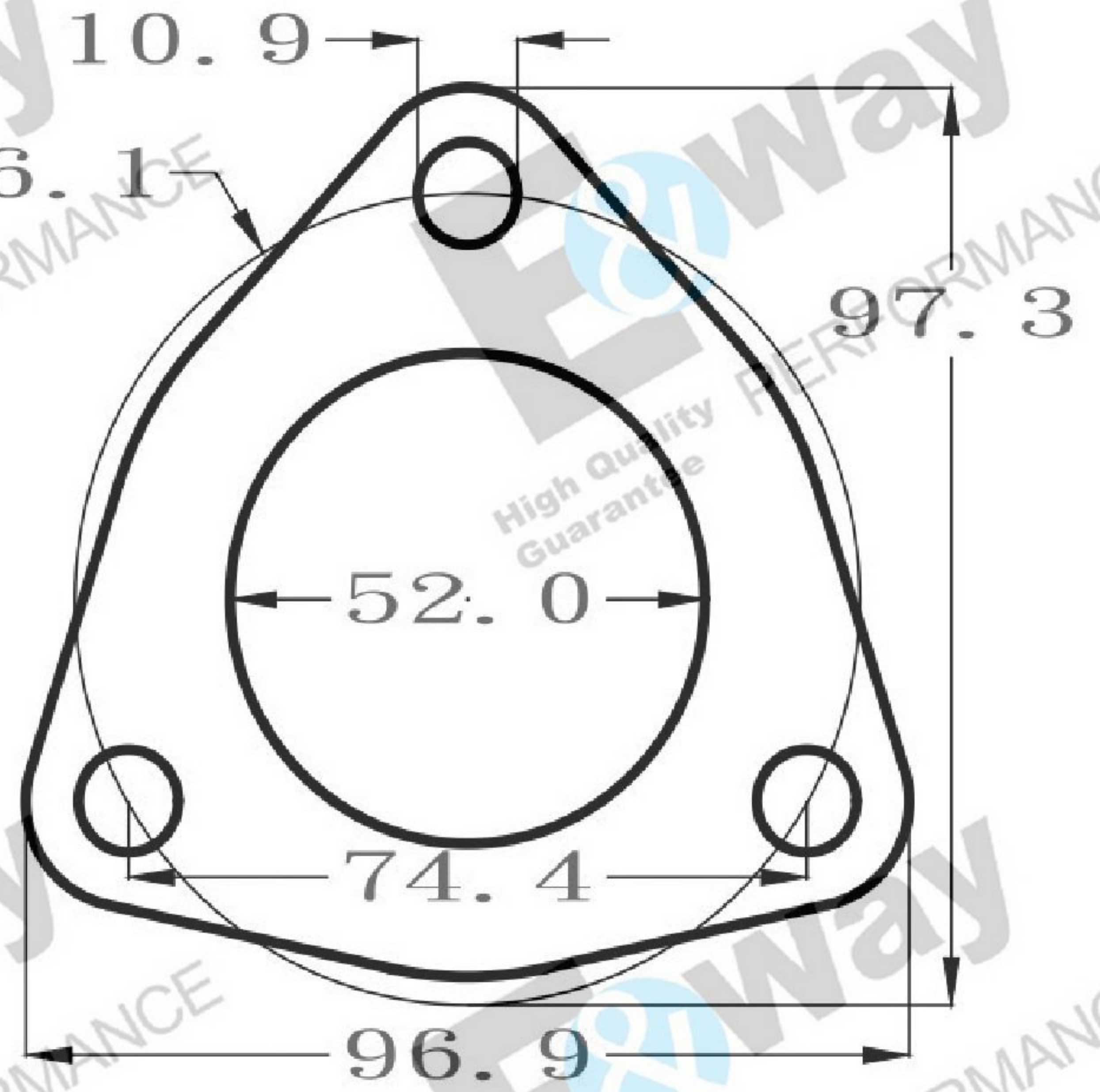
# 3-Bolt Exhaust Flange/Muffler/Pipe Gasket P1

P1



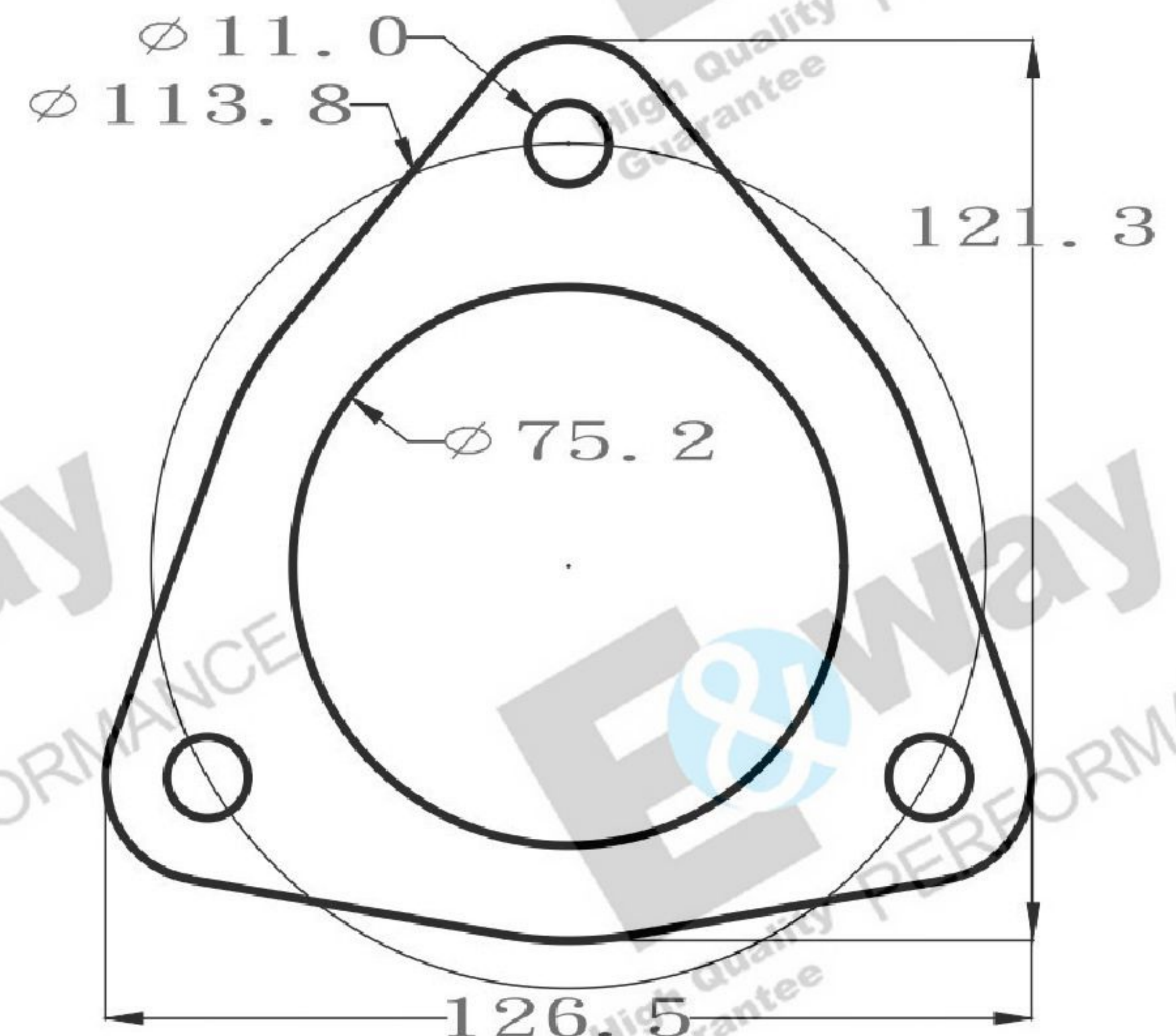
Inside Diameter(ID)=52/mm(2.04")  
Bolt Circle=86.1/mm(3.38")  
Bolt Hole=10.9/mm(0.42")  
Thickness=1.0/mm(0.04")  
Material:Stainless Steel(3-Layer)

**EP3-001**



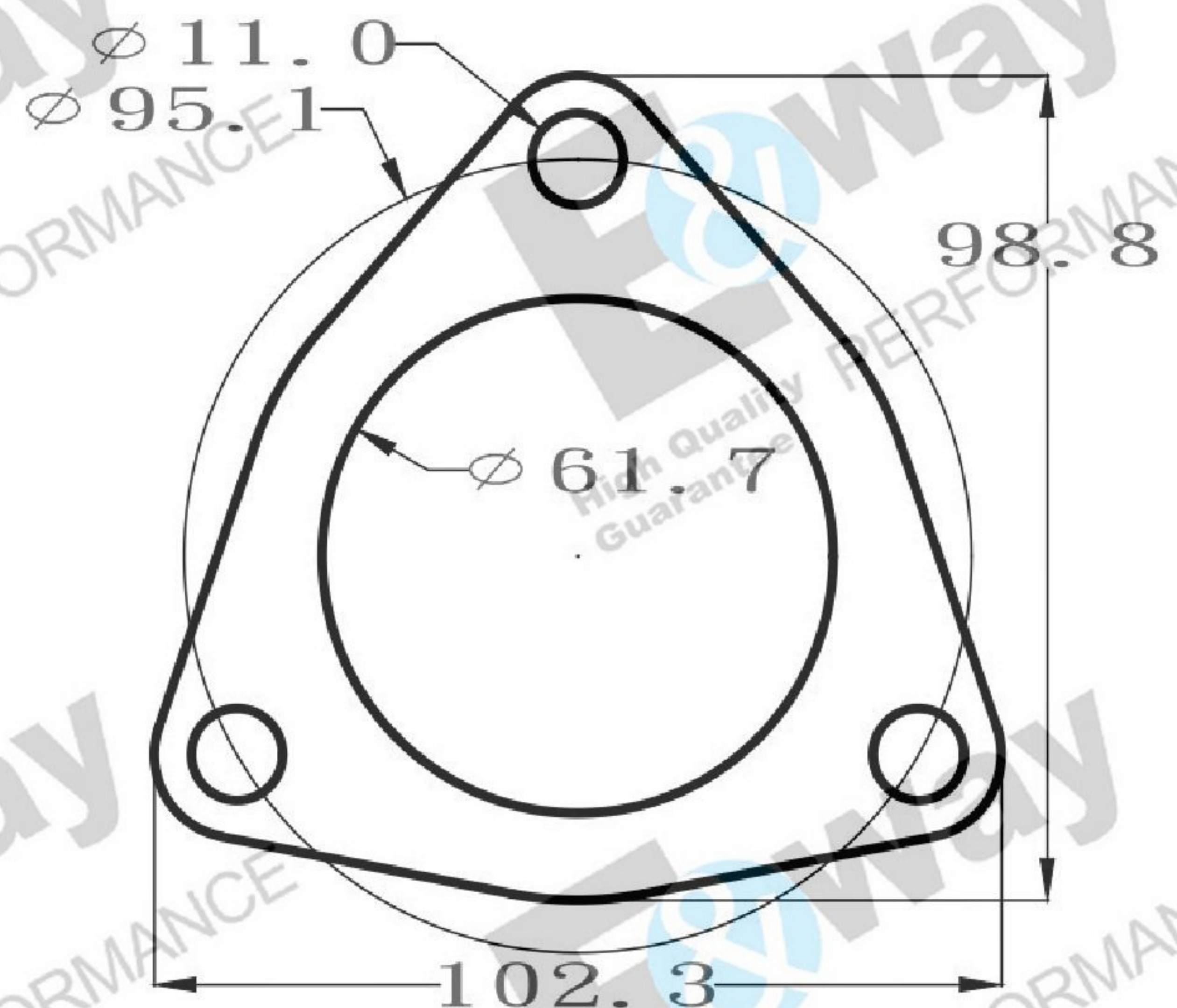
Inside Diameter(ID)=75.2/mm(2.96")  
Bolt Circle=113.8/mm(4.48")  
Bolt Hole=11/mm(0.43")  
Thickness=1.6~2.0/mm(0.06"~0.08")  
Material:Steel(Mixed Asbestos Free)+Steel(Hole)

**EP3-002**

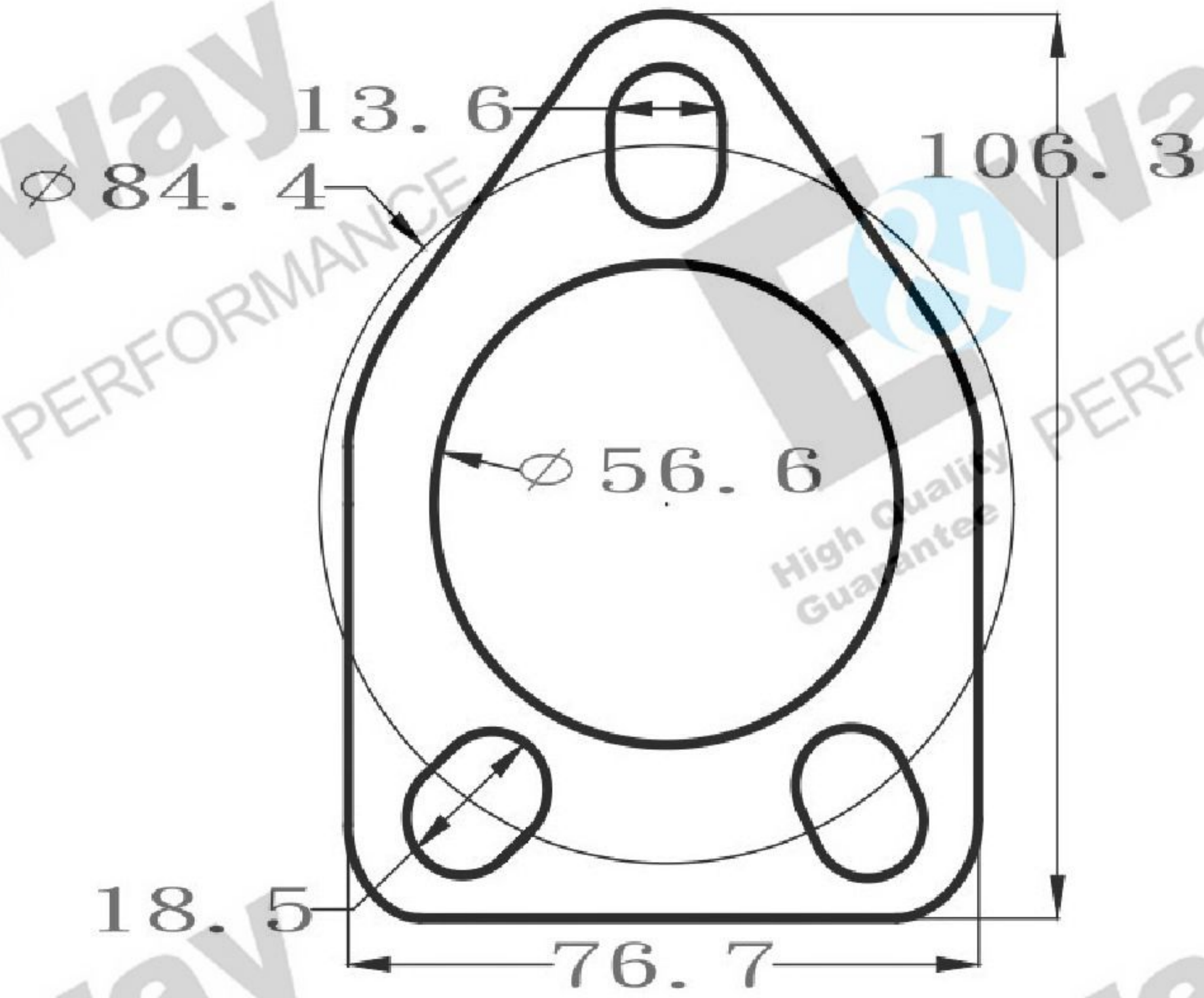


Inside Diameter(ID)=61.7/mm(2.42")  
Bolt Circle=95.1/mm(3.74")  
Bolt Hole=11/mm(0.43")  
Thickness=1.6~2.0/mm(0.06"~0.08")  
Material:Steel(Mixed Asbestos Free)+Steel(Hole)

**EP3-003**

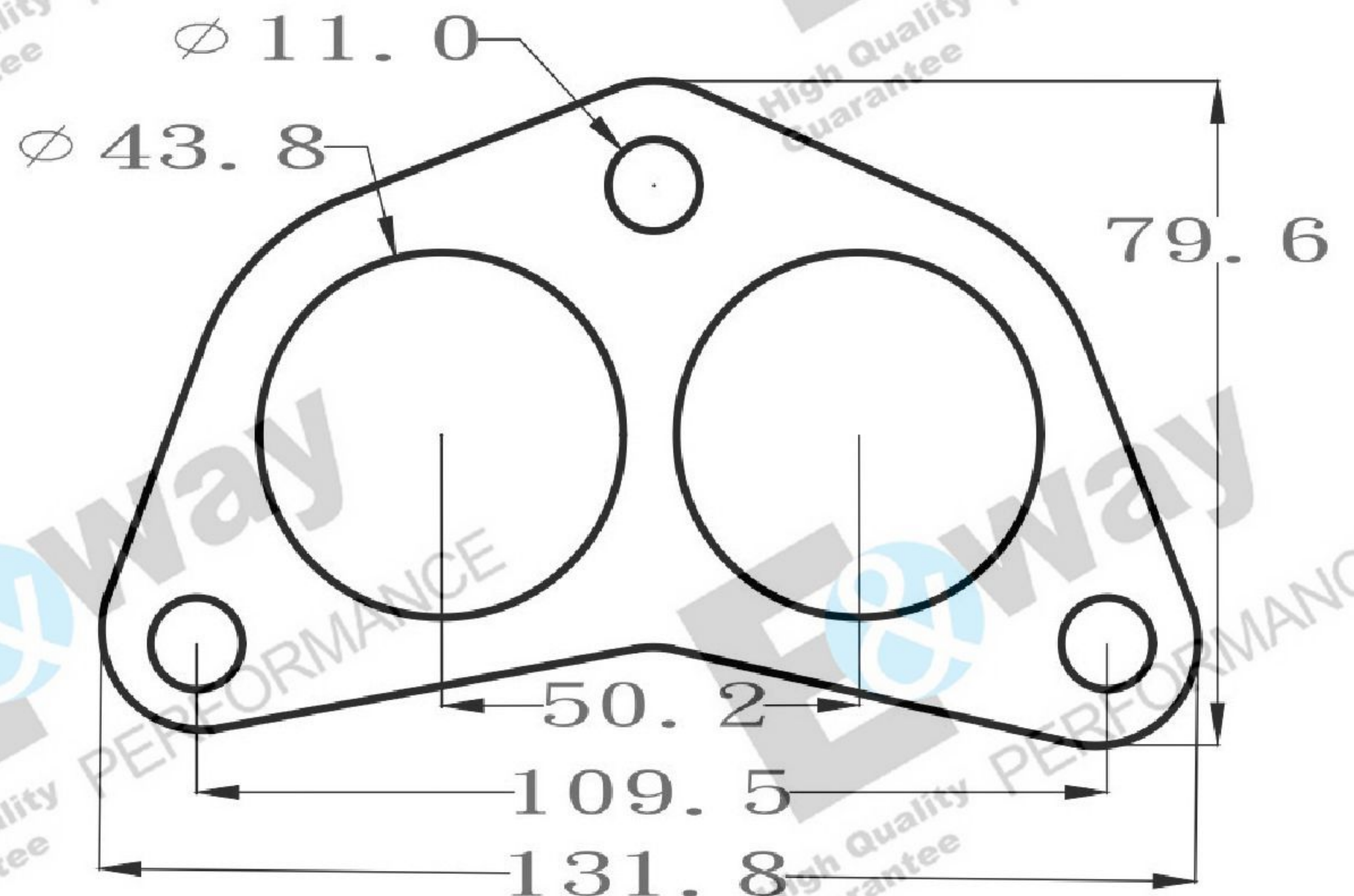






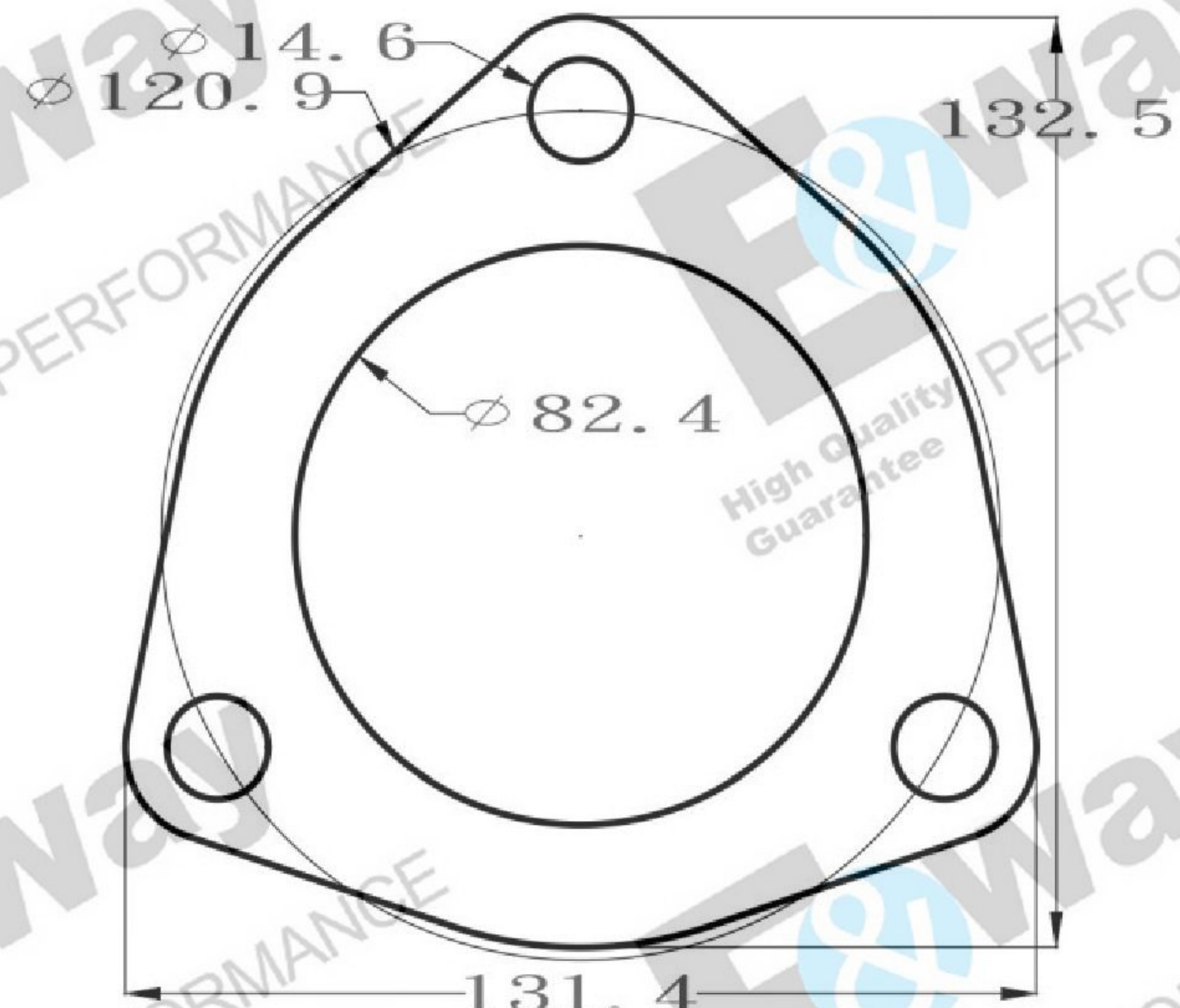
Inside Diameter(ID)=56.6/mm(2.22")  
 Bolt Circle=84.4/mm(3.32")  
 Bolt Hole=13.6/mm(0.53")  
 Thickness=1.6~2.0/mm(0.06"~0.08")  
 Material:Steel(Mixed Asbestos Free)+Stainless Steel(Hole)

**EP3-004**



Inside Diameter(ID)=43.8/mm(1.72")  
 Bolt Circle=109.5/mm(4.31")  
 Bolt Hole=11/mm(0.43")  
 Thickness=1.6~2.0/mm(0.06"~0.08")  
 Material:Steel(Mixed Asbestos Free)+Stainless Steel(2-Hole)

**EP3-005**



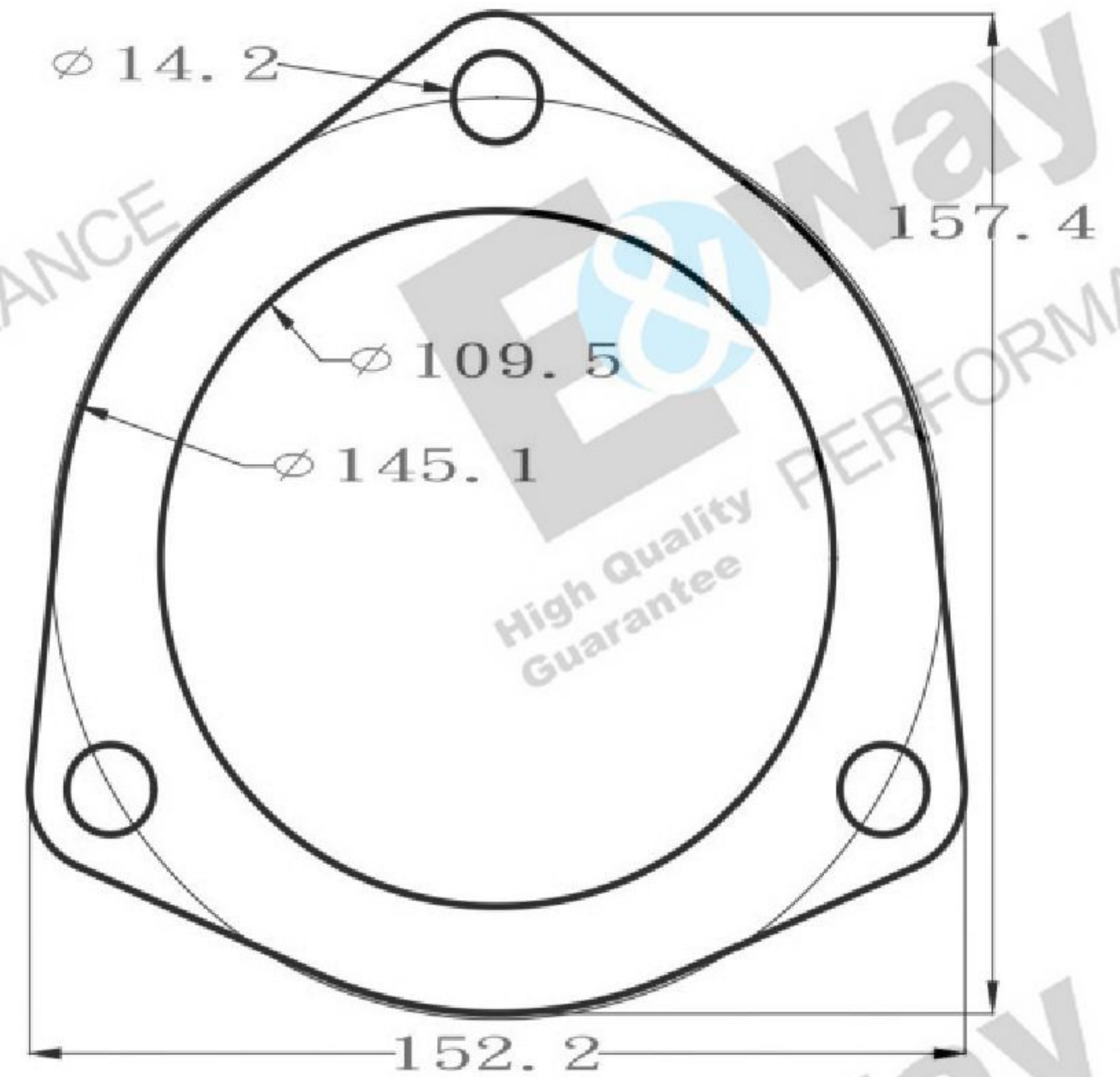
Inside Diameter(ID)=82.4/mm(3.24")  
 Bolt Circle=120.9/mm(4.76")  
 Bolt Hole=14.6/mm(0.57")  
 Thickness=1.6~2.0/mm(0.06"~0.08")  
 Material:Steel(Mixed Asbestos Free)+Stainless Steel(Hole)

**EP3-006**



# 3-Bolt Exhaust Flange/Muffler/Pipe Gasket P3

P3



Inside Diameter(ID)=109.5/mm(4.31")

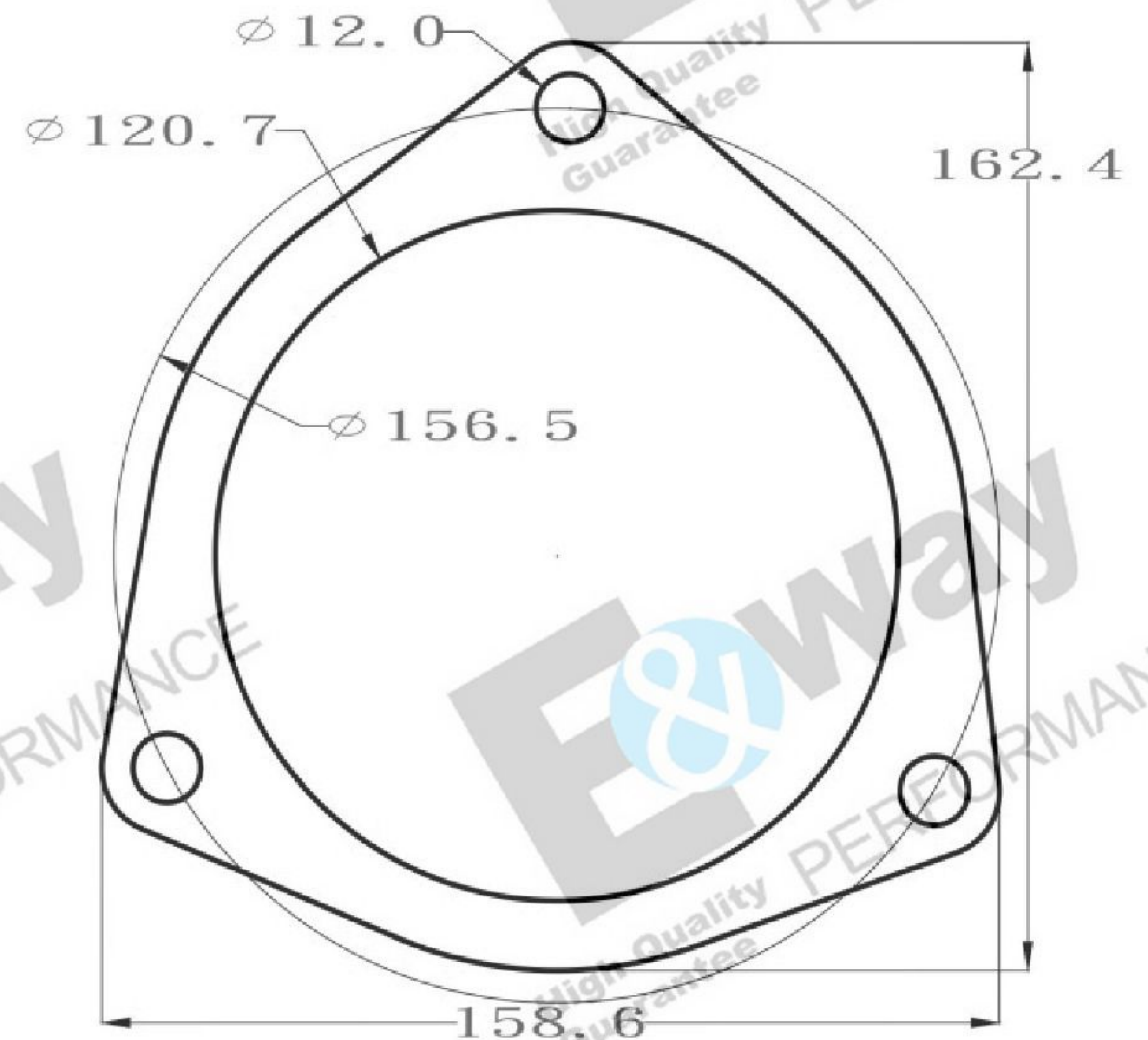
Bolt Circle=145.1/mm(5.71")

Bolt Hole=14.2/mm(0.55")

Thickness=1.6~2.0/mm(0.06"~0.08")

Material:Graphite(Mixed Steel)+Stainless Steel(Hole)+Copper+Steel(MoS<sub>2</sub> Coated)

**EP3-007**



Inside Diameter(ID)=120.7/mm(4.75")

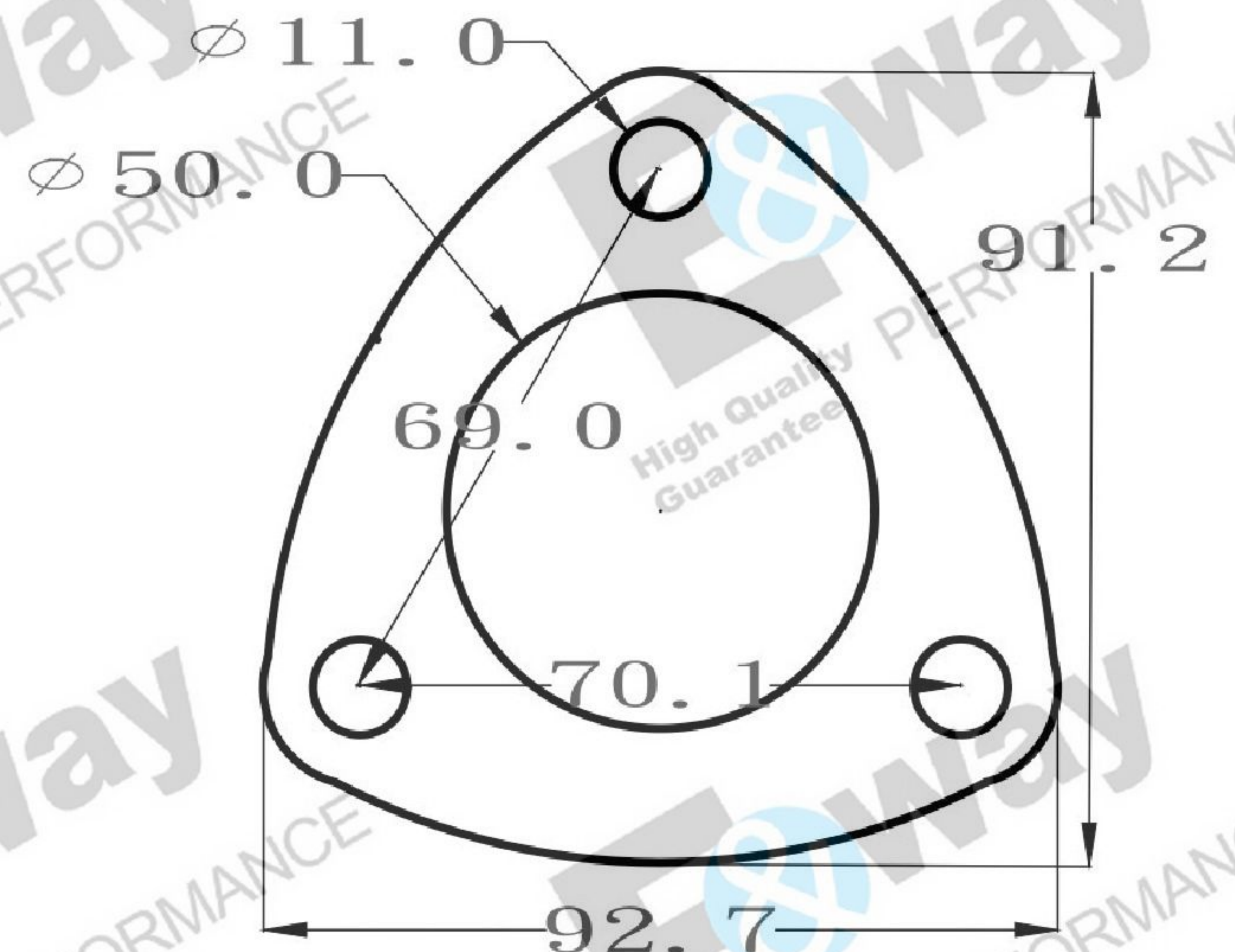
Bolt Circle=156.5/mm(6.16")

Bolt Hole=12/mm(0.47")

Thickness=1.6~2.0/mm(0.06"~0.08")

Material:Graphite(Mixed Steel)+Stainless Steel(Hole)+Copper+Steel(MoS<sub>2</sub> Coated)

**EP3-008**



Inside Diameter(ID)=50/mm(1.96")

Bolt To Bolt=69/mm(2.71")70.1/mm(2.75")

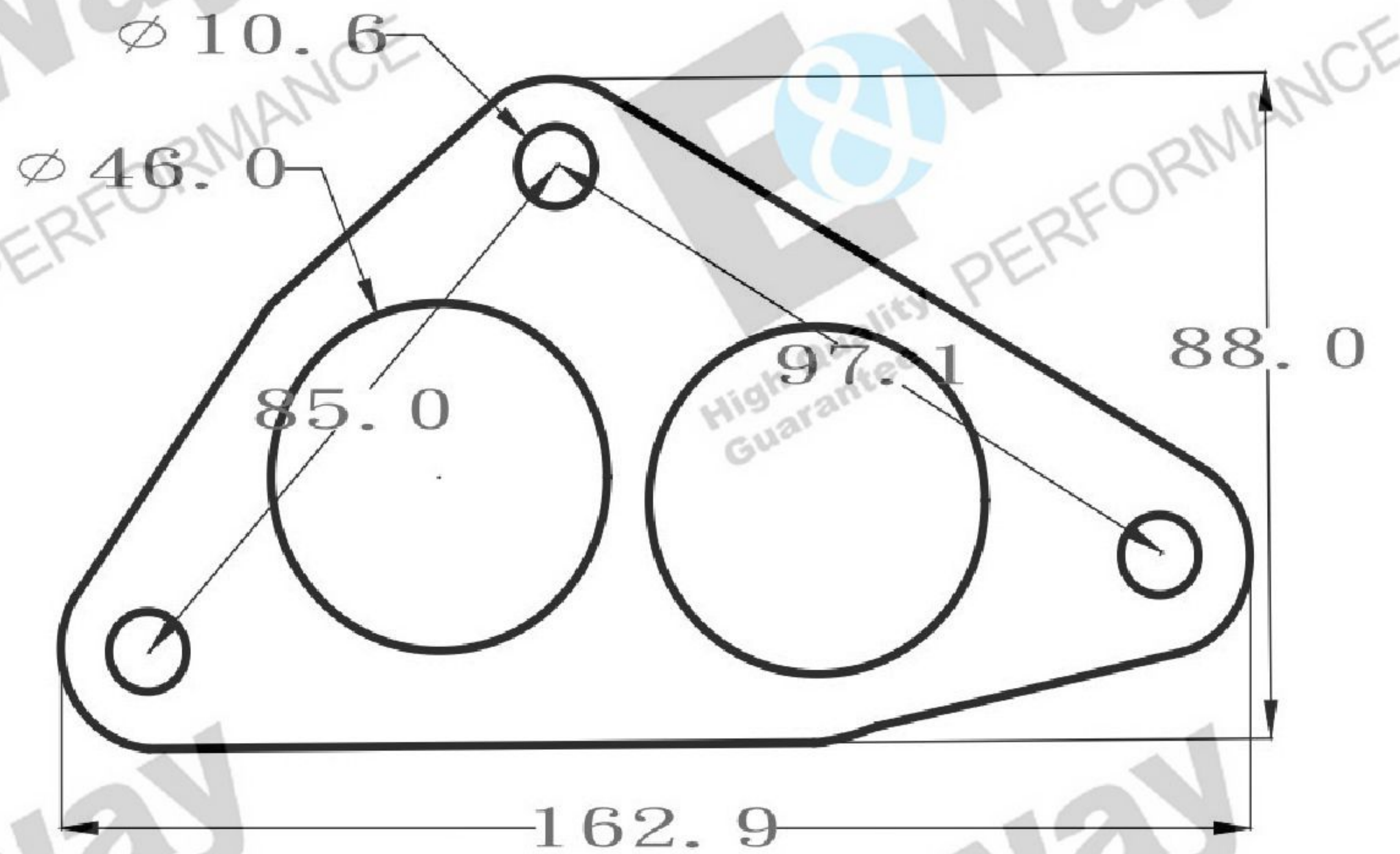
Bolt Hole=11/mm(0.43")

Thickness=1.6~2.0/mm(0.06"~0.08")

Material:Steel(Mixed Asbestos Free)+Stainless Steel(Hole)

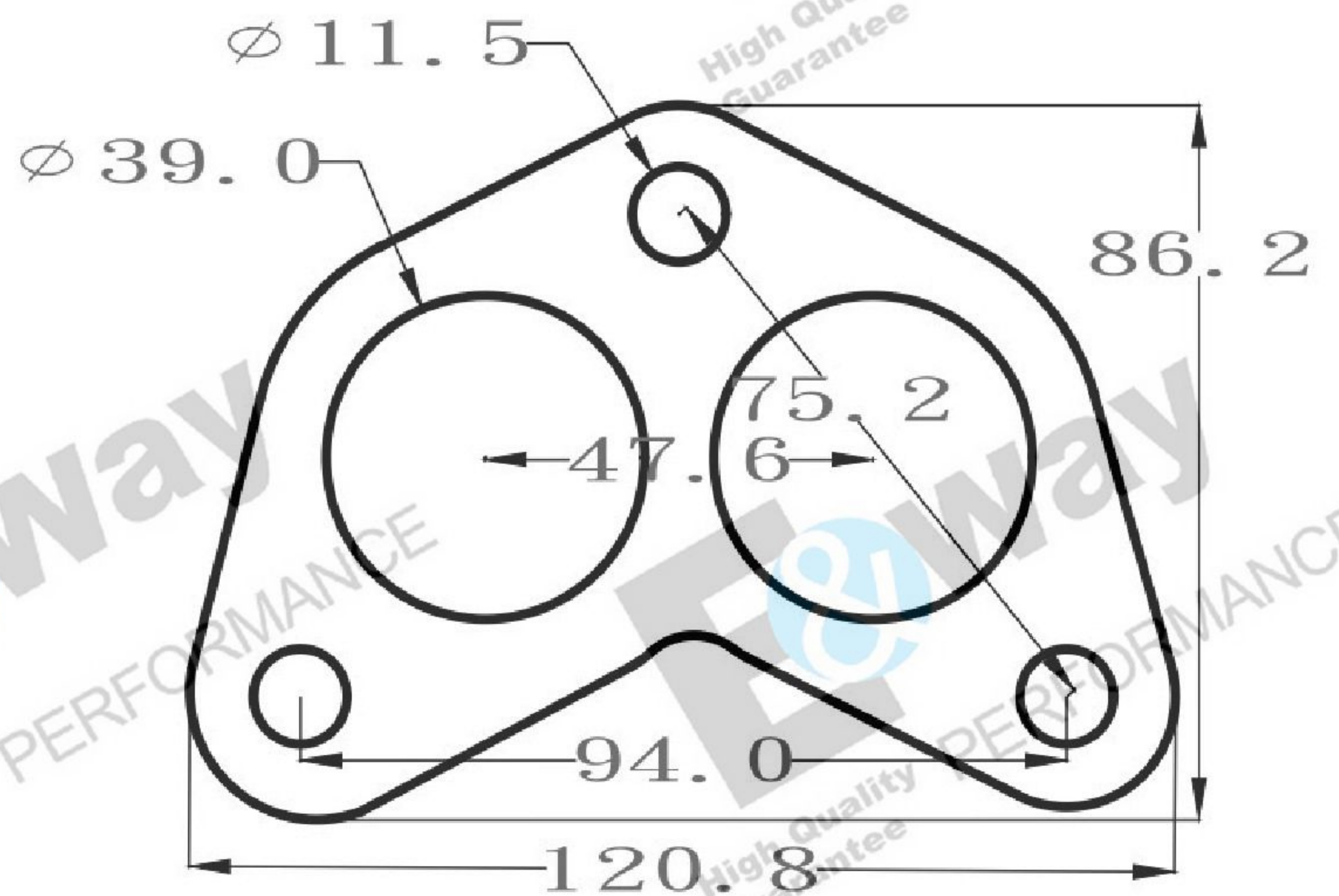
**EP3-009**





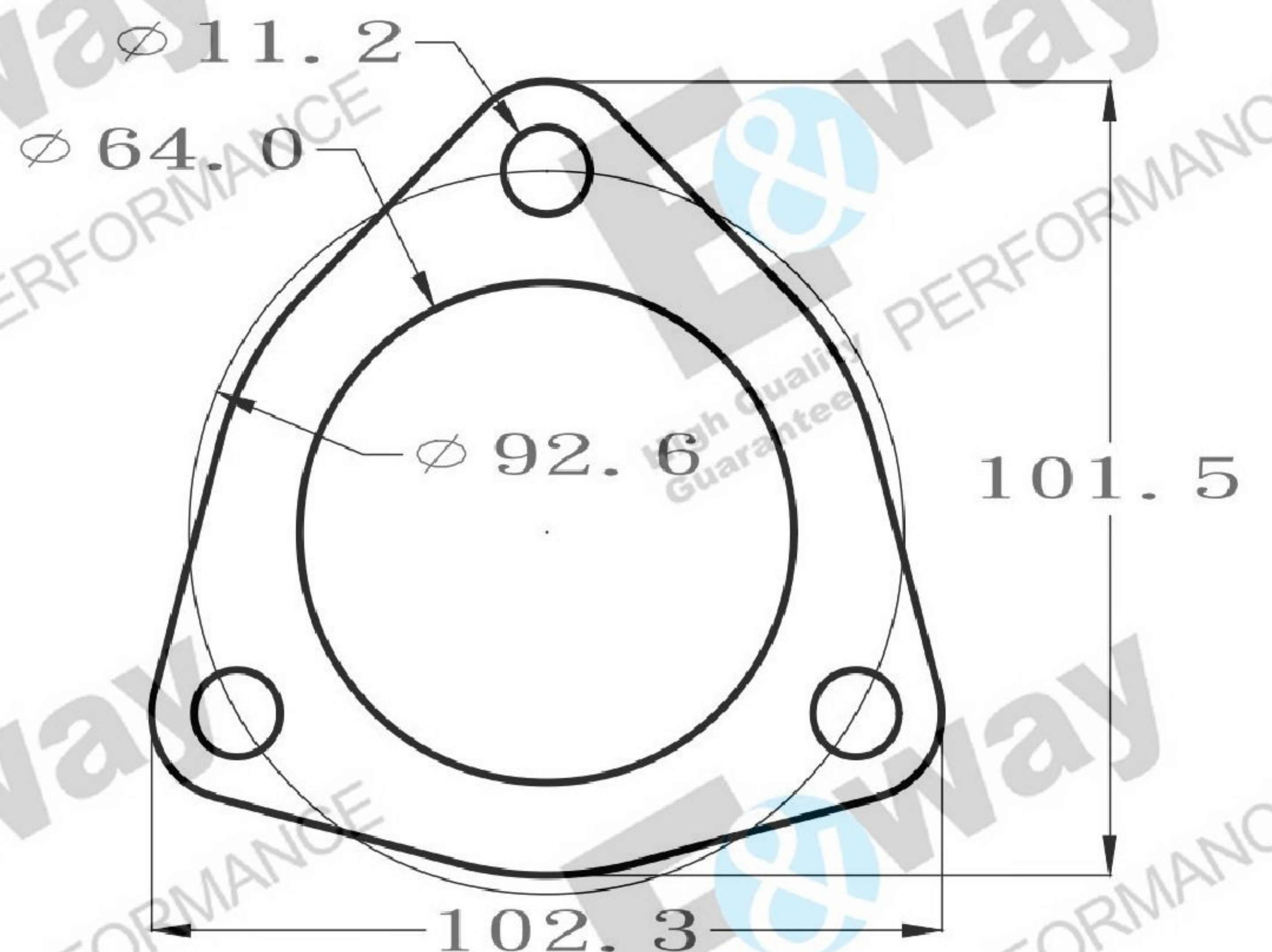
Inside Diameter(ID)=46/mm(1.81")  
 Bolt Circle=85/mm(3.34") 97.1/mm(3.82")  
 Bolt Hole=10.6/mm(0.41")  
 Thickness=1.6~2.0/mm(0.06"~0.08")  
 Material:Steel(Mixed Asbestos Free)

**EP3-010**



Inside Diameter(ID)=39/mm(1.53")  
 Bolt Circle=94/mm(3.70") 75.2/mm(2.96")  
 Bolt Hole=11.5/mm(0.45")  
 Thickness=1.6~2.0/mm(0.06"~0.08")  
 Material:Graphite(Mixed Steel)+Stainless Steel(2-Hole)

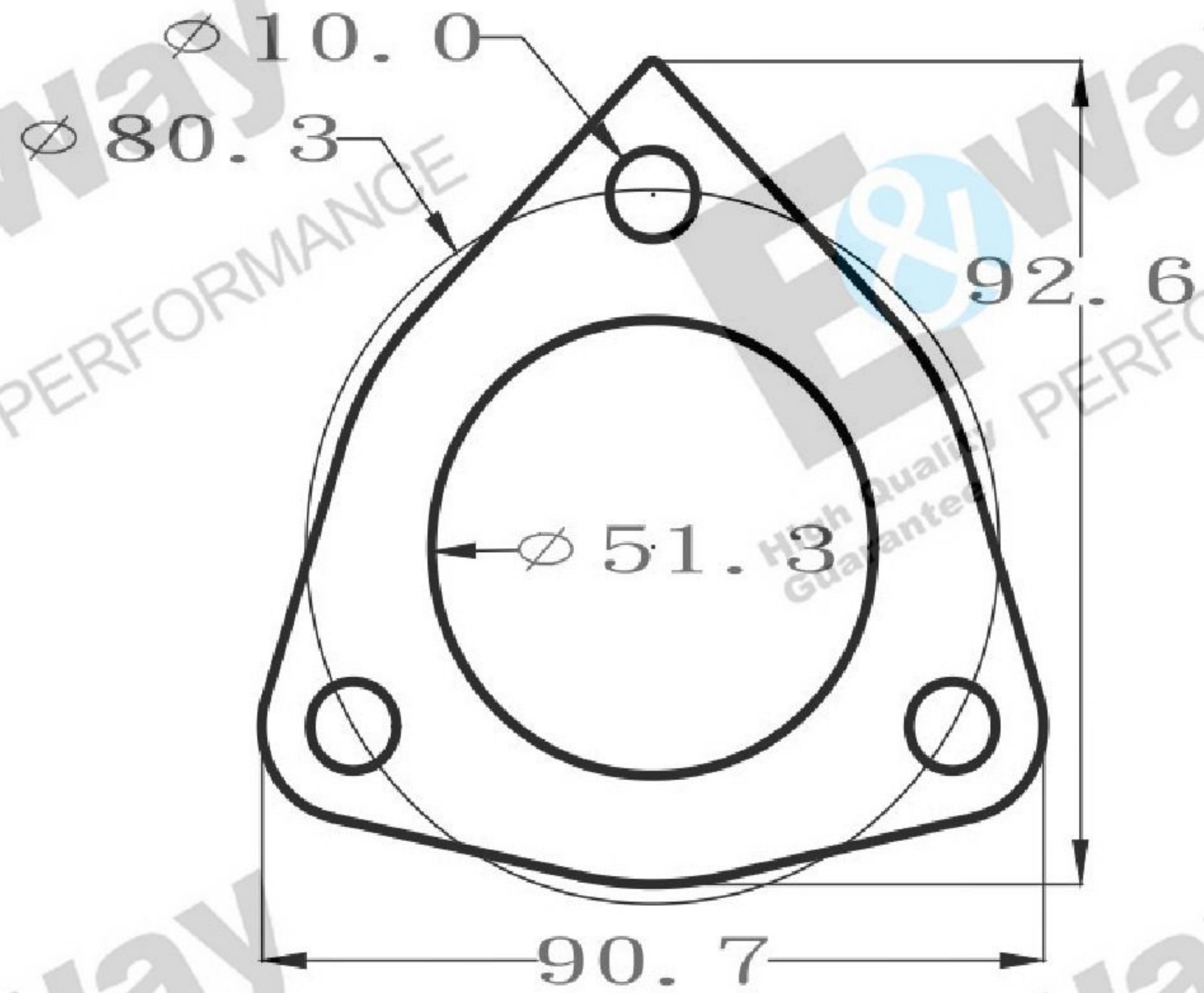
**EP3-011**



Inside Diameter(ID)=64/mm(2.51")  
 Bolt Circle=92.6/mm(3.64")  
 Bolt Hole=11.2/mm(0.44")  
 Thickness=1.6~2.0/mm(0.06"~0.08")  
 Material:Steel(Mixed Asbestos Free)+Copper+Stainless Steel(Hole)

**EP3-012**





Inside Diameter(ID)=51.3/mm(2.01")

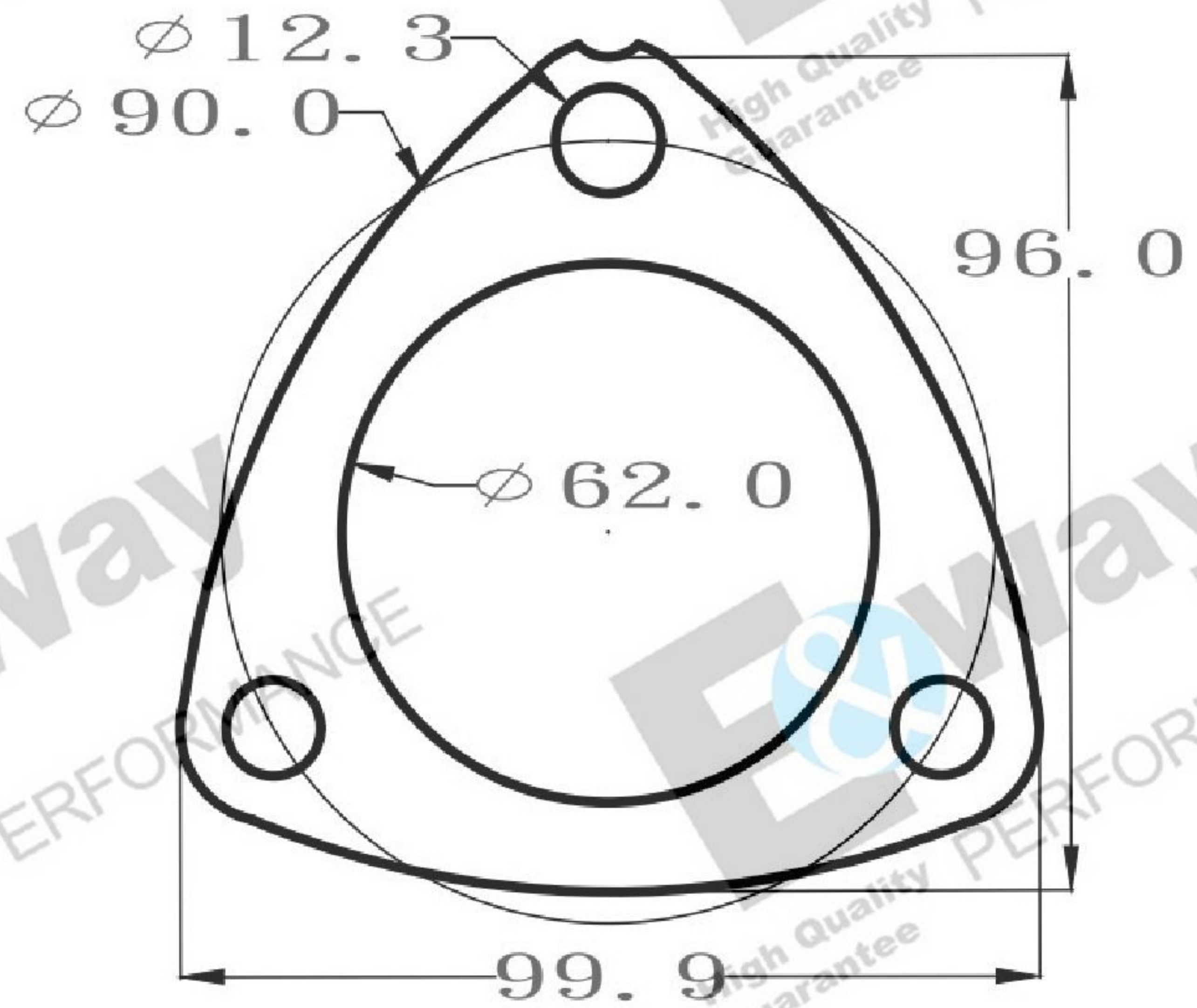
Bolt Circle=80.3/mm(3.16")

Bolt Hole=10/mm(0.39")

Thickness=1.6~2.0/mm(0.06"~0.08")

Material:Steel(Mixed Asbestos Free)+Copper+Stainless Steel(Hole)

**EP3-013**



Inside Diameter(ID)=62/mm(2.44")

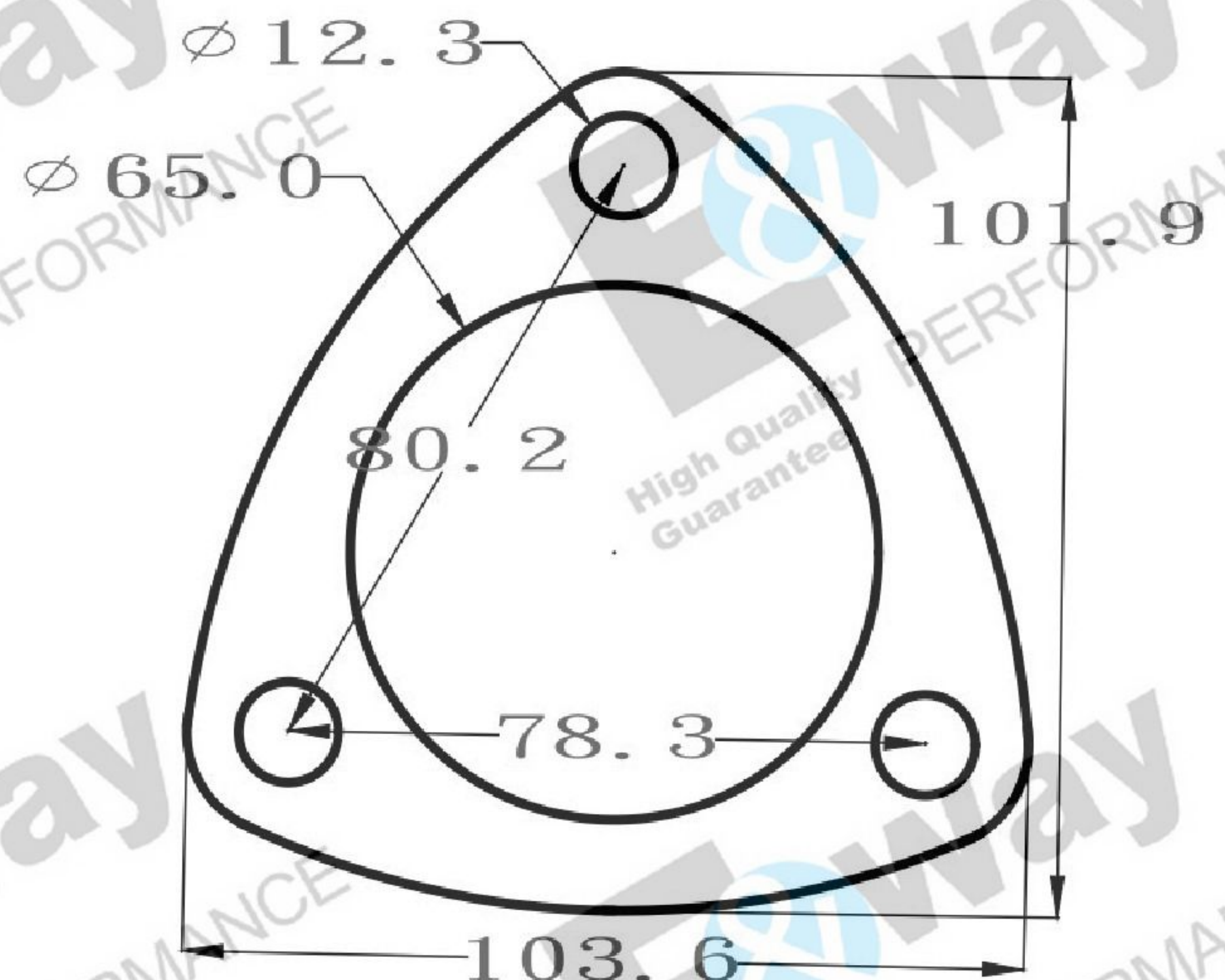
Bolt Circle=90/mm(3.54")

Bolt Hole=12.3/mm(0.48")

Thickness=1.6~2.0/mm(0.06"~0.08")

Material:Steel(Mixed Asbestos Free)+Steel(Hole)+Copper+Steel(MoS2 Coated)

**EP3-014**



Inside Diameter(ID)=65/mm(2.55")

Bolt To Bolt=80.2/mm(3.16") 78.3/mm(3.08")

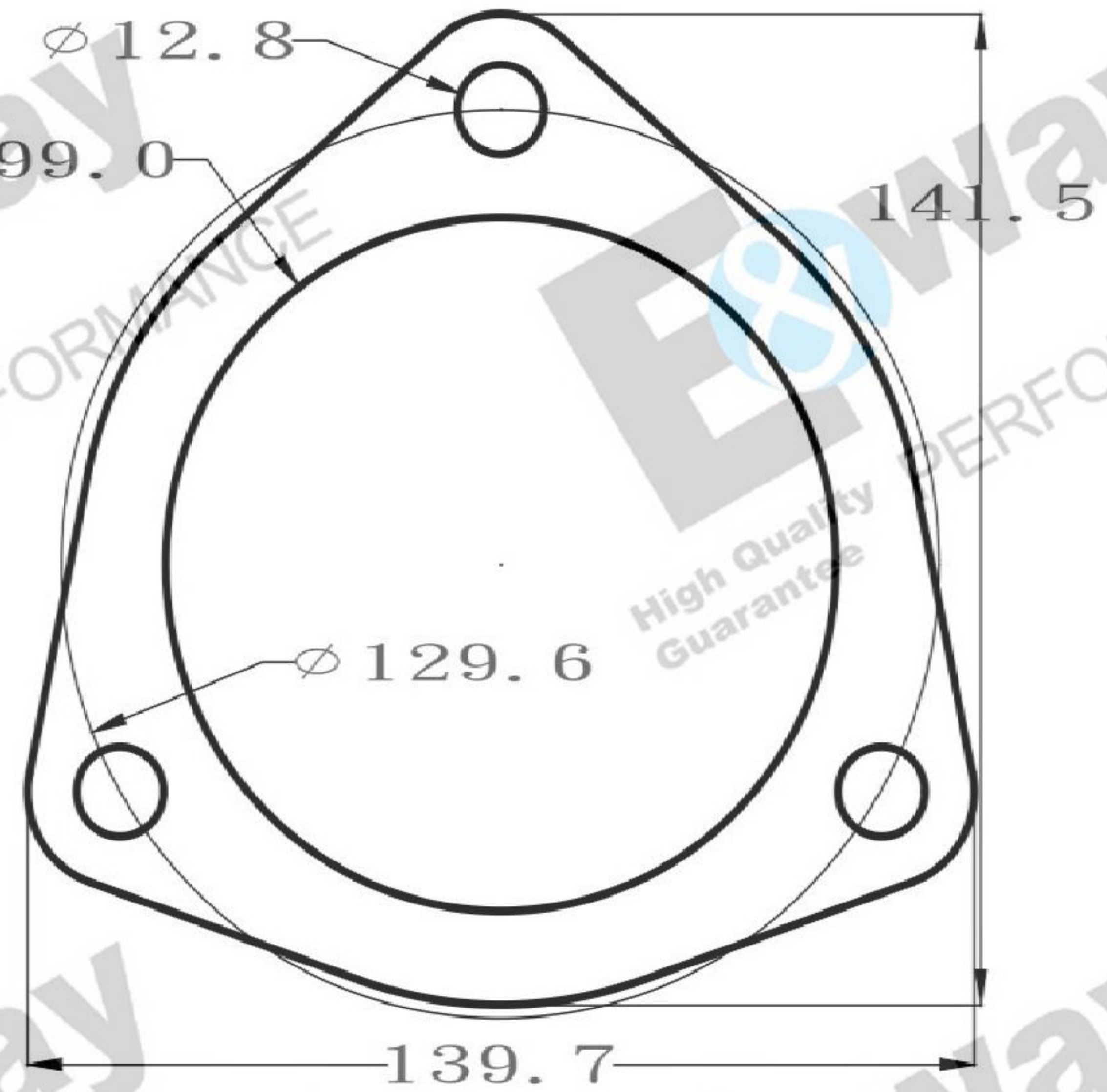
Bolt Hole=12.3/mm(0.48")

Thickness=1.6~2.0/mm(0.06"~0.08")

Material:Steel(Mixed Asbestos Free)+Stainless Steel(Hole)

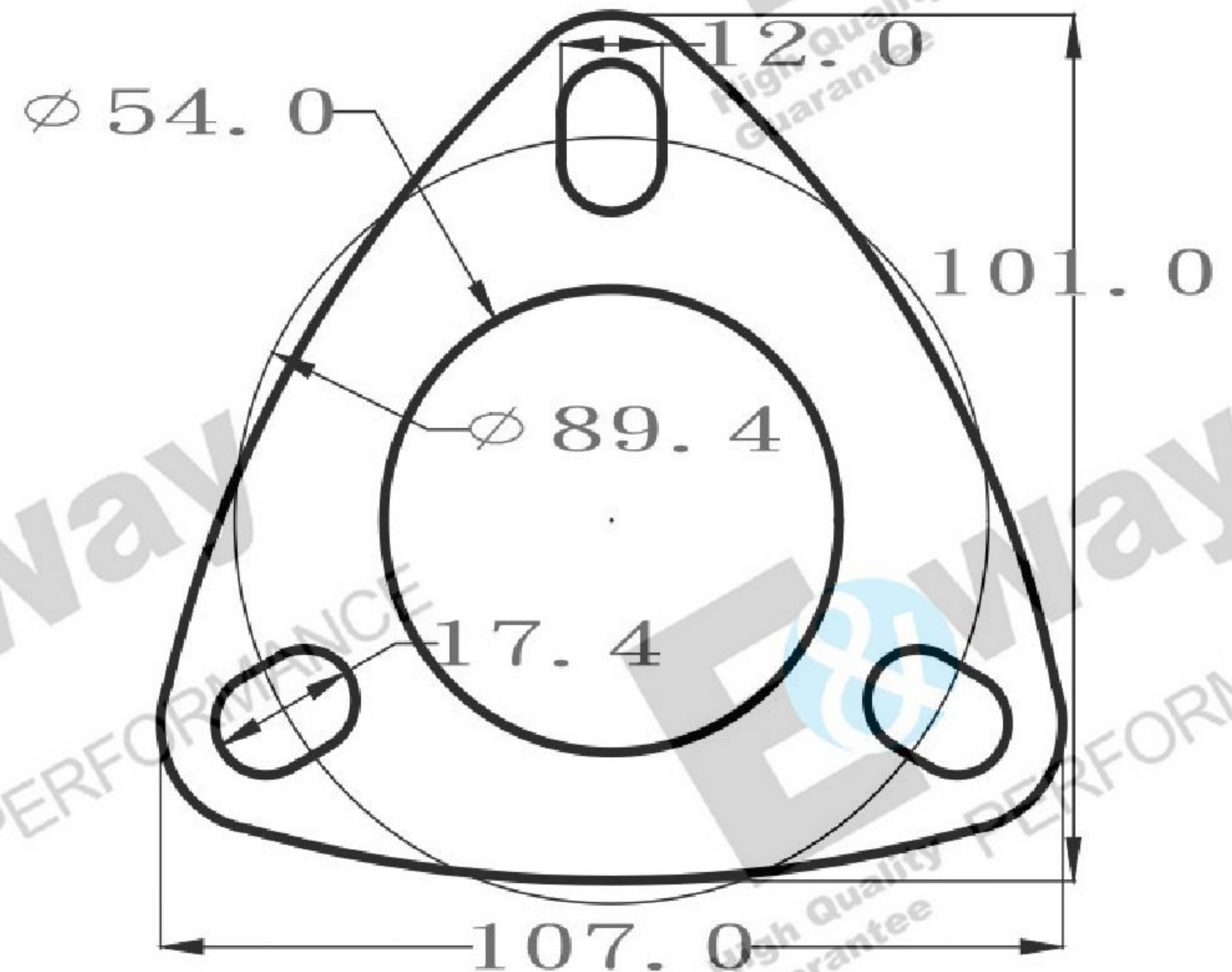
**EP3-015**





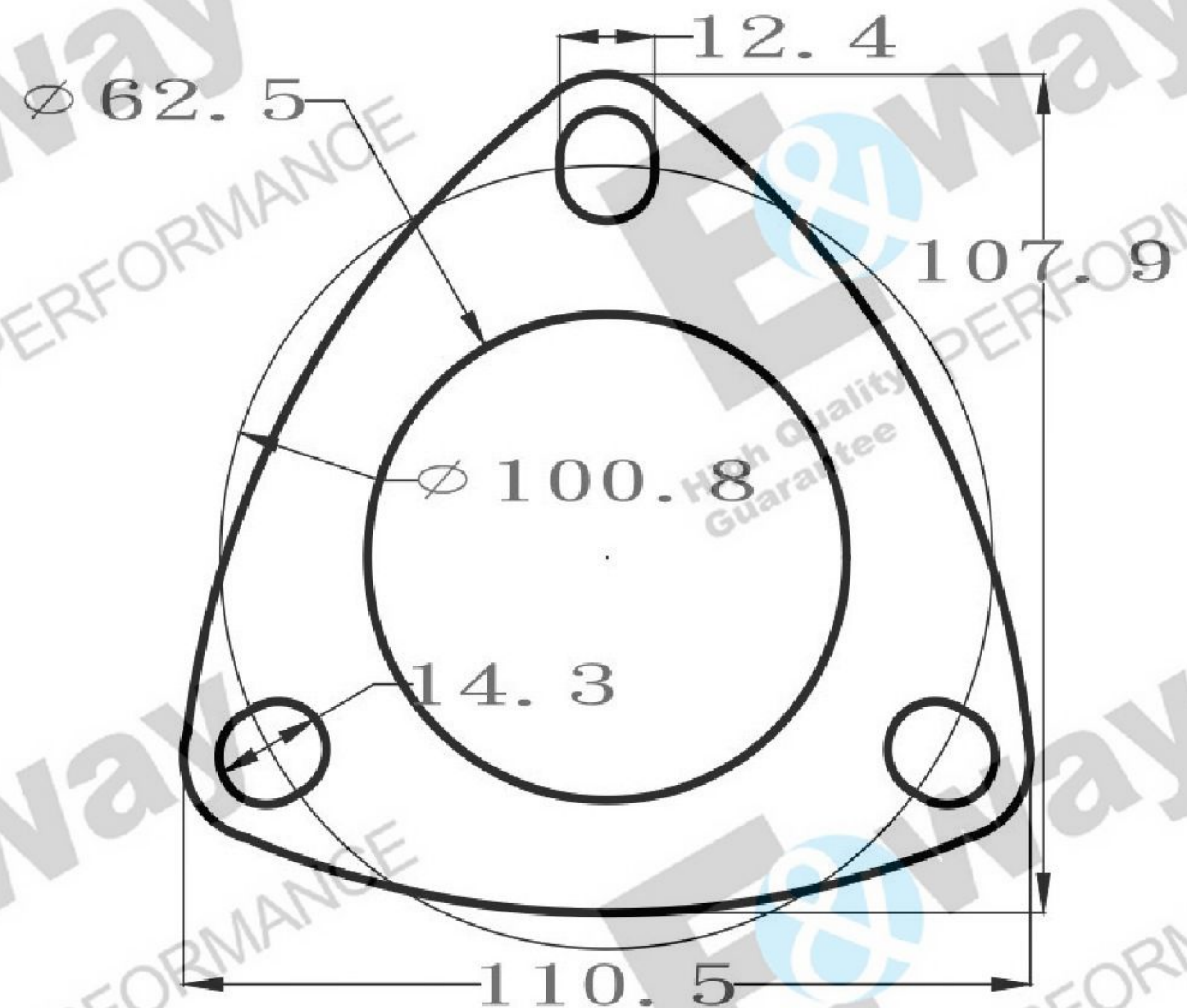
Inside Diameter(ID)=99/mm(3.89")  
 Bolt Circle=129.6/mm(5.10")  
 Bolt Hole=12.8/mm(0.50")  
 Thickness=1.6~2.0/mm(0.06"~0.08")  
 Material:Steel(Mixed Asbestos Free)+Stainless Steel(Hole)

**EP3-016**



Inside Diameter(ID)=54/mm(2.12")  
 Bolt Circle=89.4/mm(3.51")  
 Bolt Hole=12/mm(0.47")  
 Thickness=1.6~2.0/mm(0.06"~0.08")  
 Material:Steel(Mixed Asbestos Free)

**EP3-017**



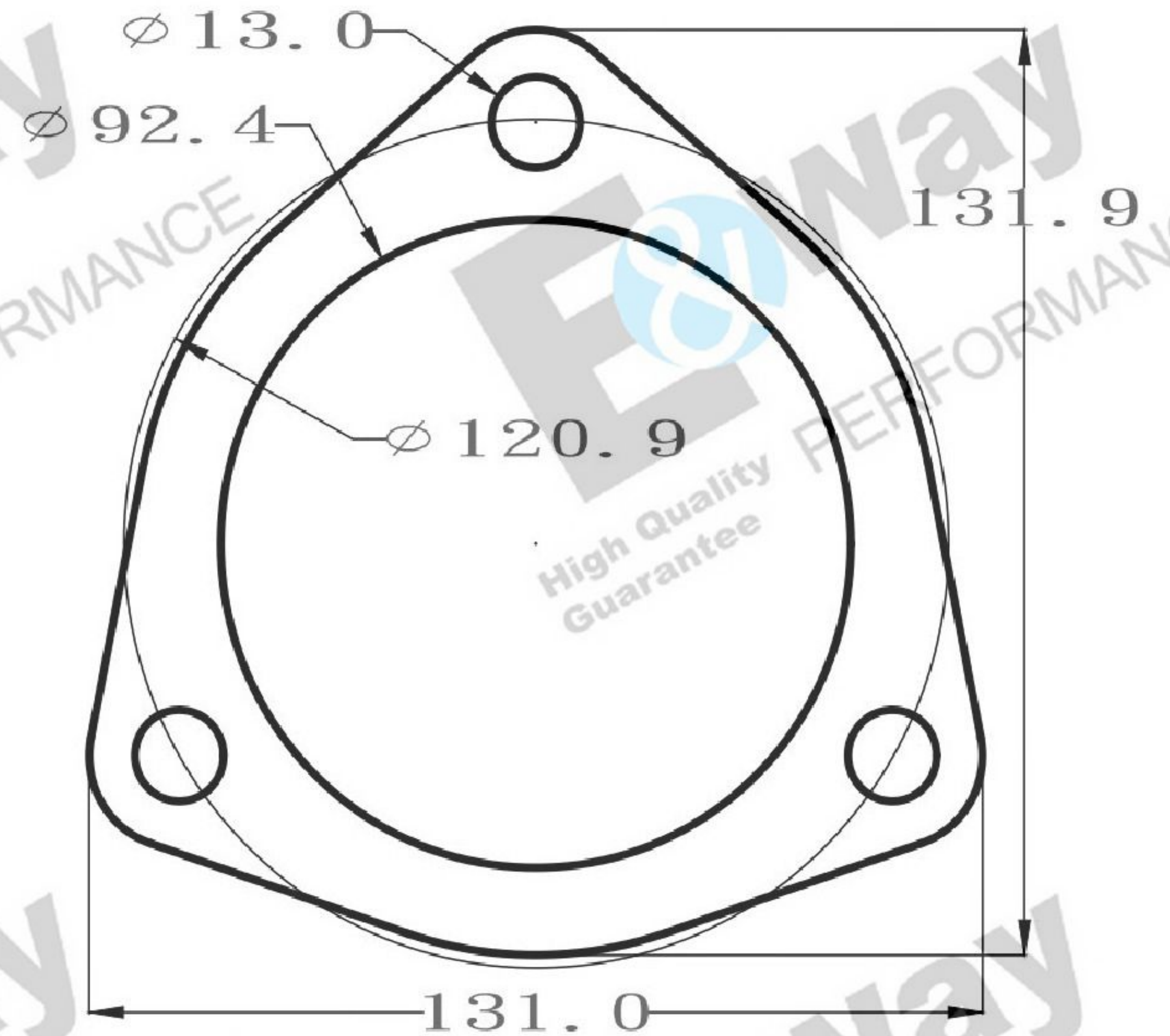
Inside Diameter(ID)=62.5/mm(2.46")  
 Bolt Circle=100.8/mm(3.97")  
 Bolt Hole=12.4/mm(0.48")  
 Thickness=1.6~2.0/mm(0.06"~0.08")  
 Material:Steel(Mixed Asbestos Free)+Stainless Steel(Hole)

**EP3-018**



# 3-Bolt Exhaust Flange/Muffler/Pipe Gasket P7

P7



Inside Diameter(ID)=92.4/mm(3.63")

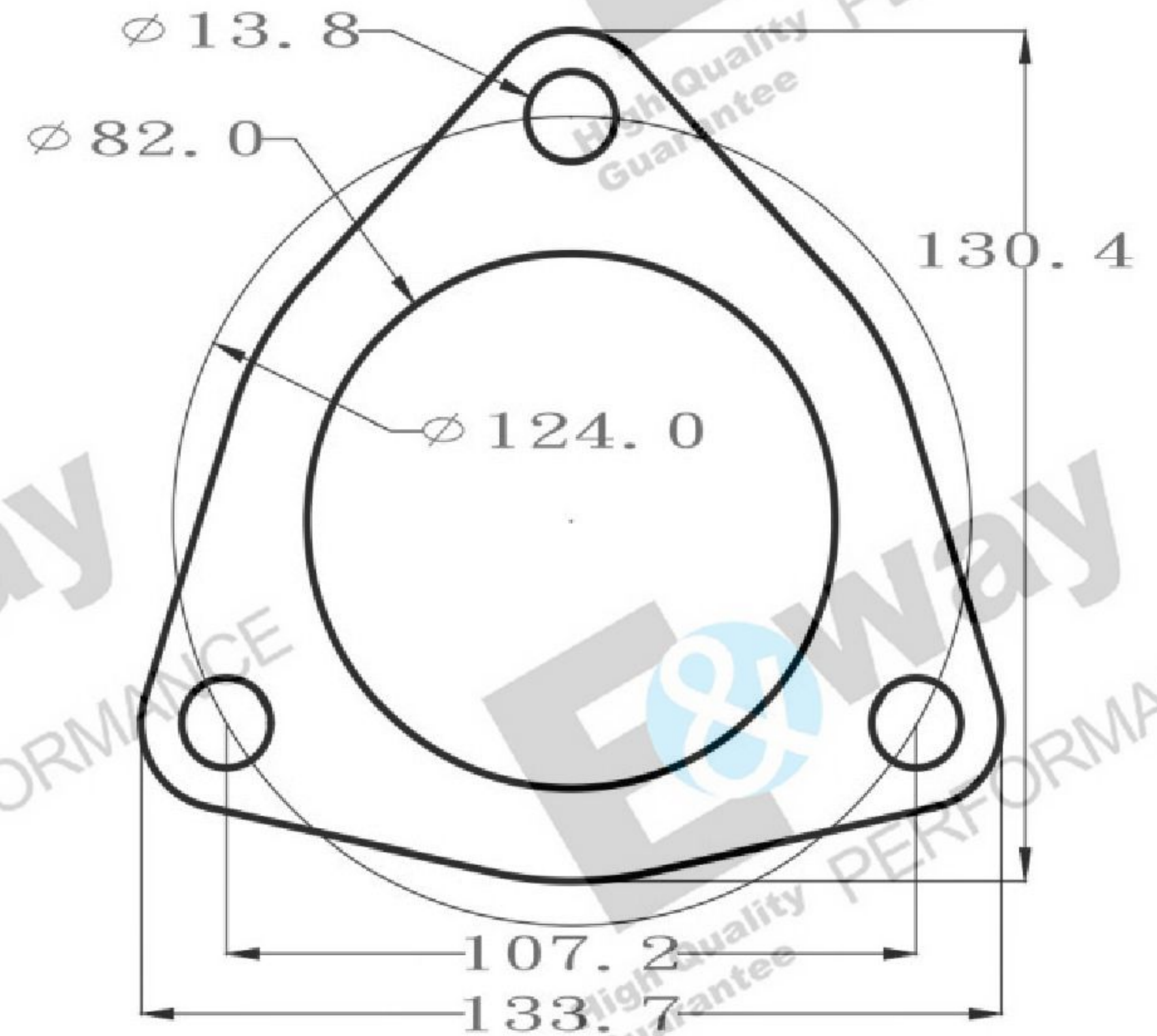
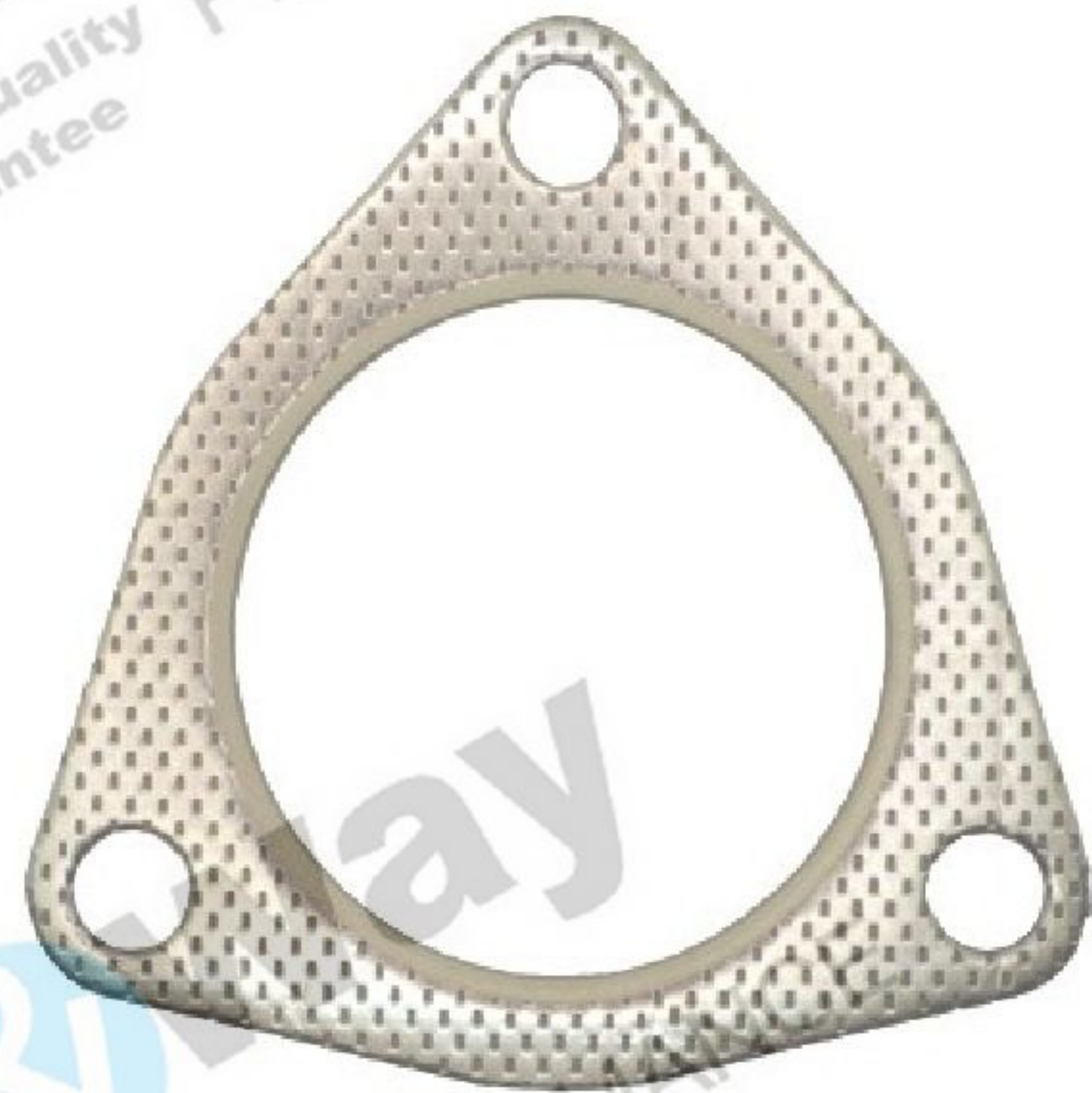
Bolt Circle=120.9/mm(4.76")

Bolt Hole=13/mm(0.51")

Thickness=1.6~2.0/mm(0.06"~0.08")

Material:Steel(Mixed Asbestos Free)+Stainless Steel(Hole)

**EP3-019**



Inside Diameter(ID)=82/mm(3.22")

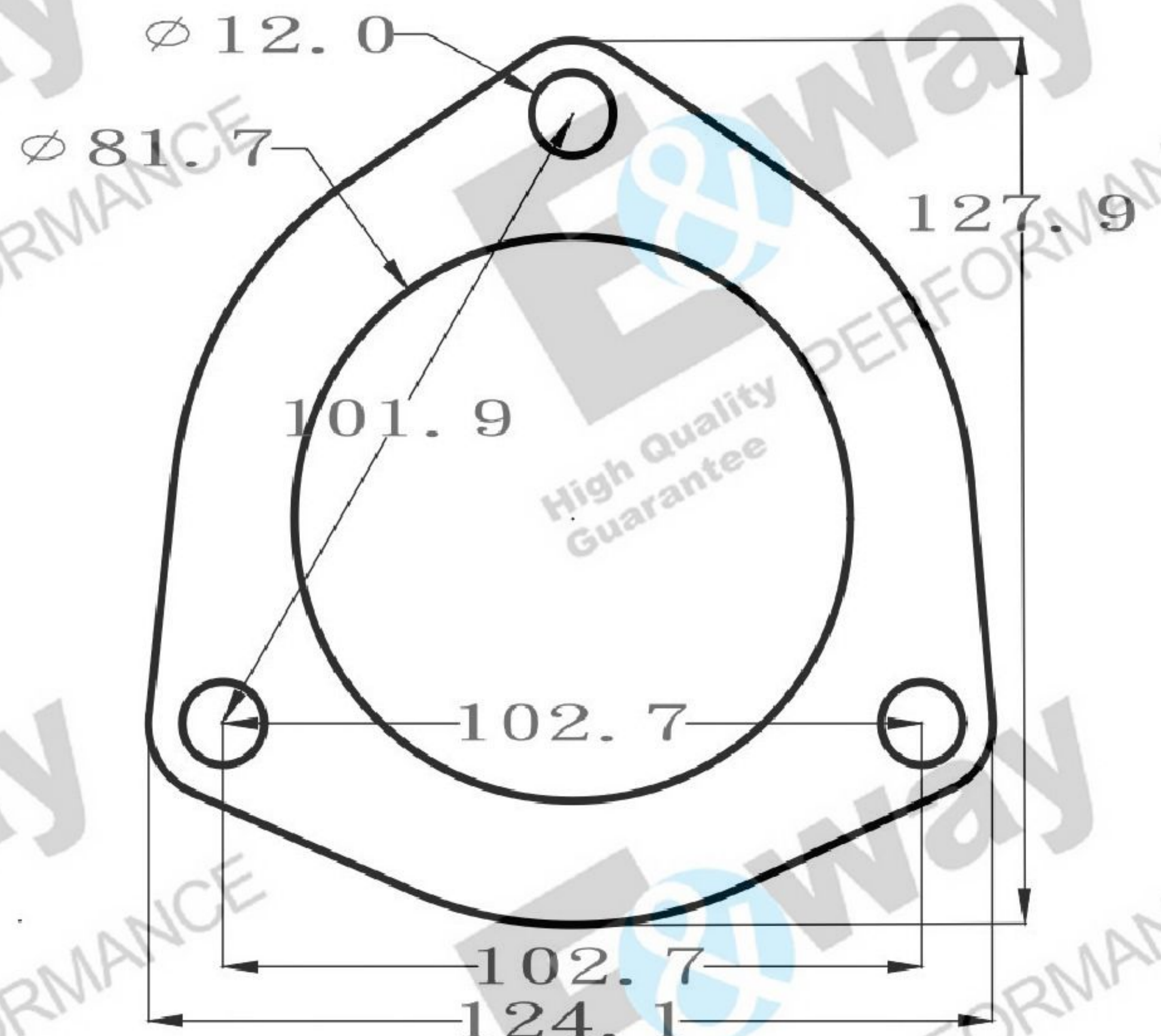
Bolt Circle=124/mm(4.88")

Bolt Hole=13.8/mm(0.54")

Thickness=1.6~2.0/mm(0.06"~0.08")

Material:Steel(Mixed Asbestos Free)+Stainless Steel(Hole)

**EP3-020**



Inside Diameter(ID)=81.7/mm(3.21")

Bolt To Bolt=101.9/mm(4.01")102.7/mm(4.04")

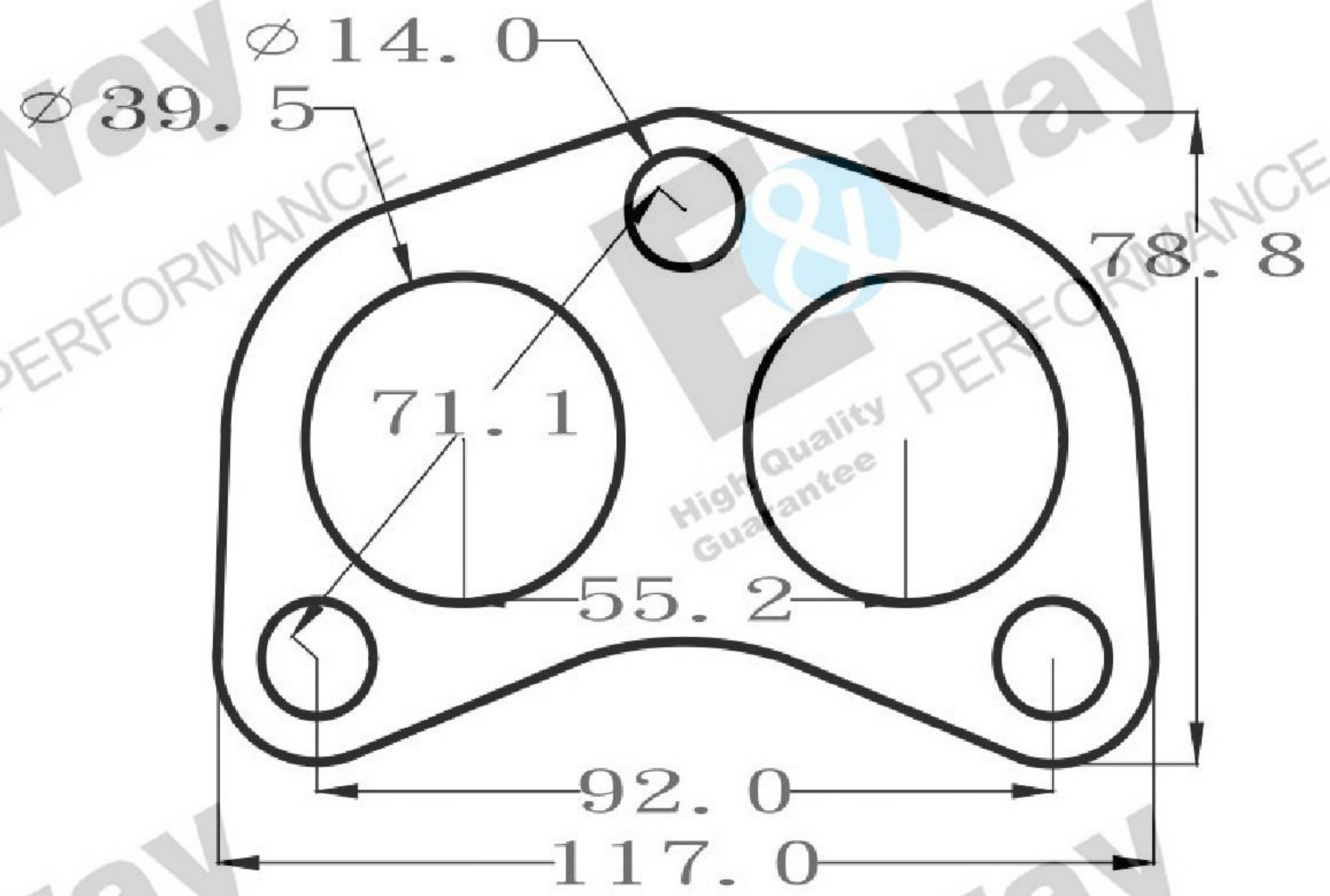
Bolt Hole=12/mm(0.47")

Thickness=1.6~2.0/mm(0.06"~0.08")

Material:Steel(Mixed Asbestos Free)+Stainless Steel(Hole)

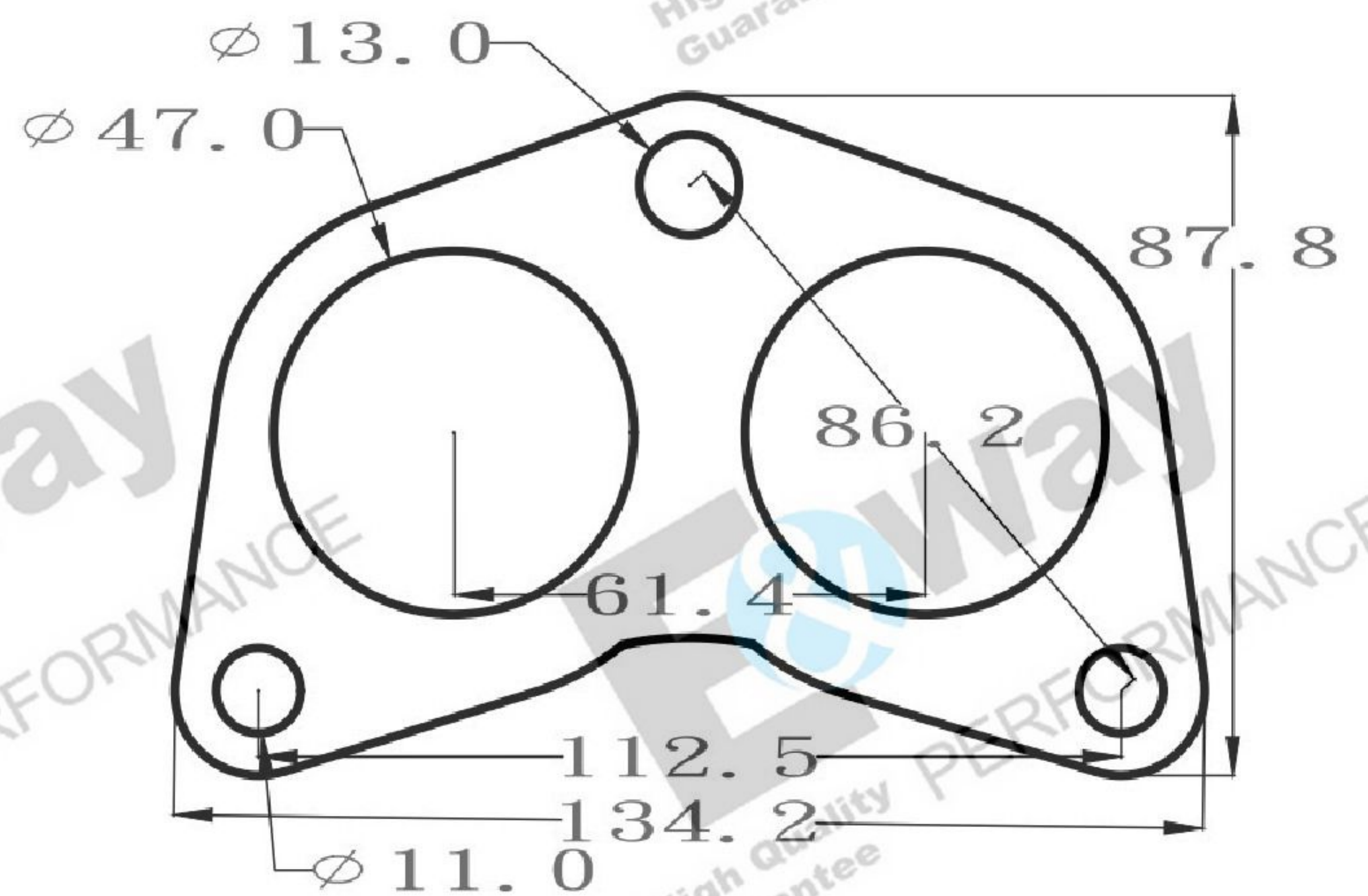
**EP3-021**





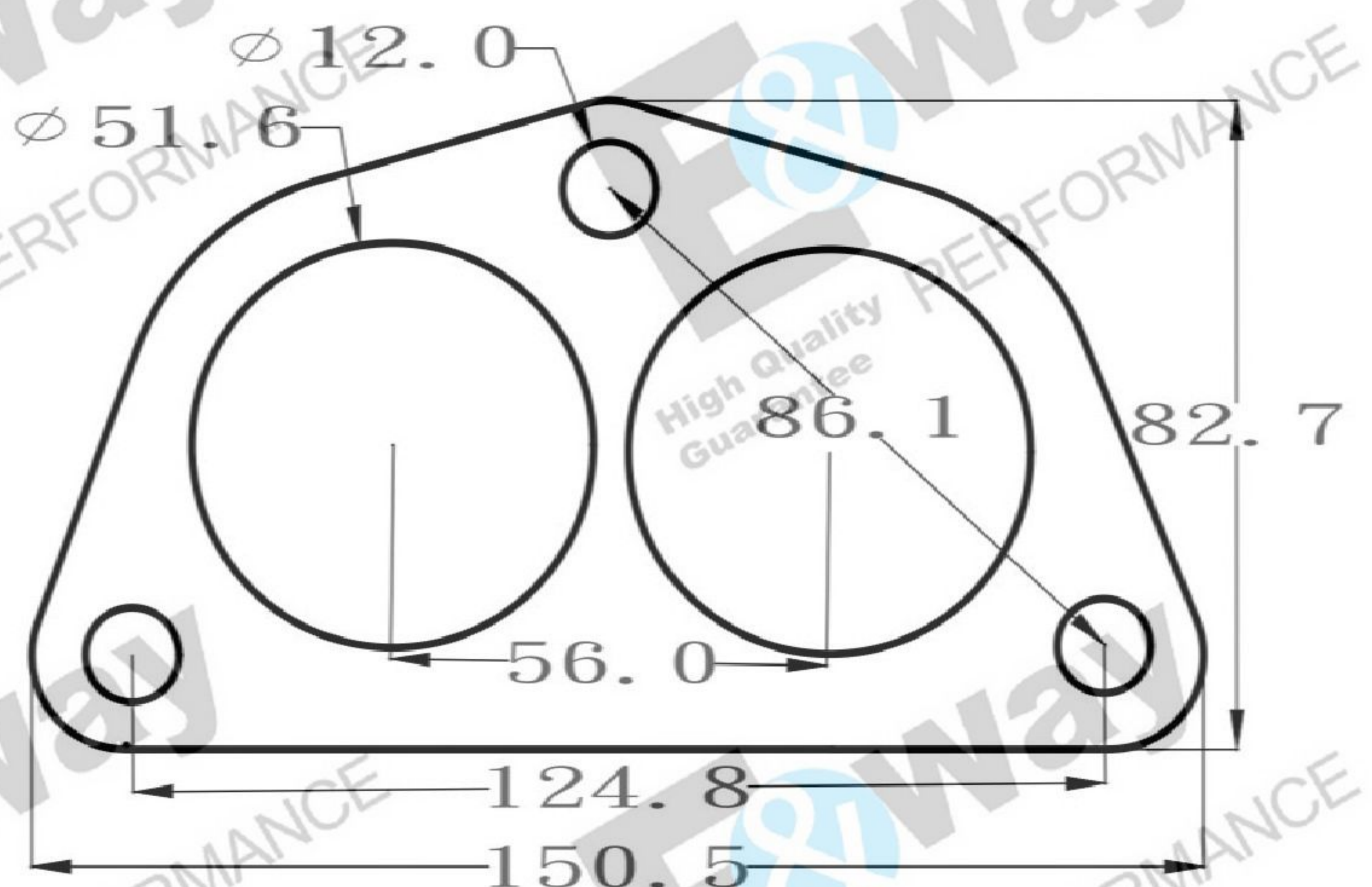
Inside Diameter(ID)=39.5/mm(1.55")  
 Bolt Circle=92/mm(3.62")71.1/mm(2.79")  
 Bolt Hole=14/mm(0.55")  
 Thickness=1.6~2.0/mm(0.06"~0.08")  
 Material:Steel(Mixed Asbestos Free)+Stainless Steel(2-Hole)

## EP3-022



Inside Diameter(ID)=47/mm(1.85")  
 Bolt Circle=112.5/mm(4.42")86.2/mm(3.39")  
 Bolt Hole=13/mm(0.51")  
 Thickness=1.6~2.0/mm(0.06"~0.08")  
 Material:Graphite(Mixed Steel)+Stainless Steel(2-Hole)+Copper+Steel(MoS2 Coated)

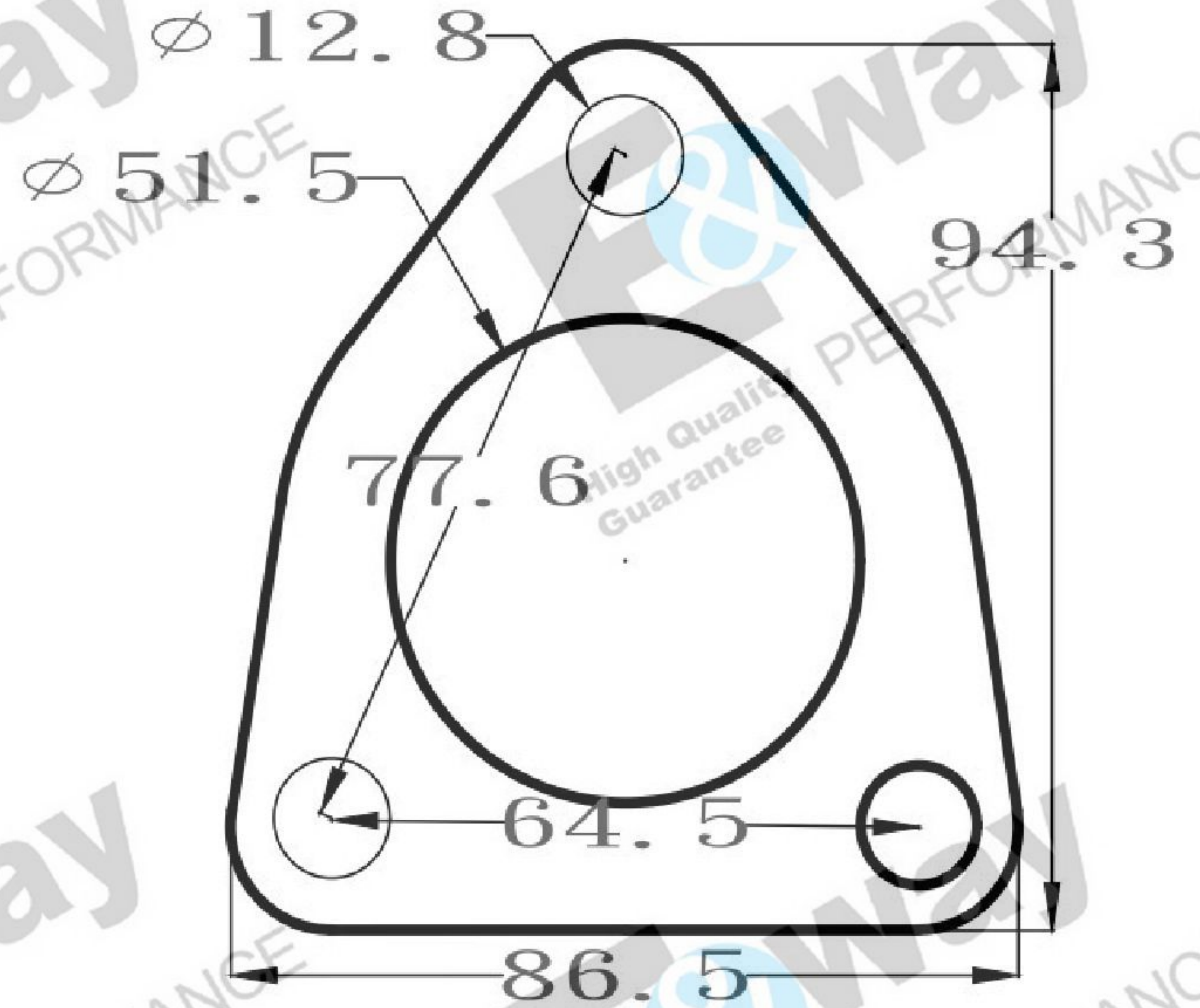
## EP3-023



Inside Diameter(ID)=51.6/mm(2.03")  
 Bolt Circle=86.1/mm(3.38")  
 Bolt Hole=12/mm(0.47")  
 Thickness=1.6~2.0/mm(0.06"~0.08")  
 Material:Steel(Mixed Asbestos Free)+Stainless Steel(2-Hole)

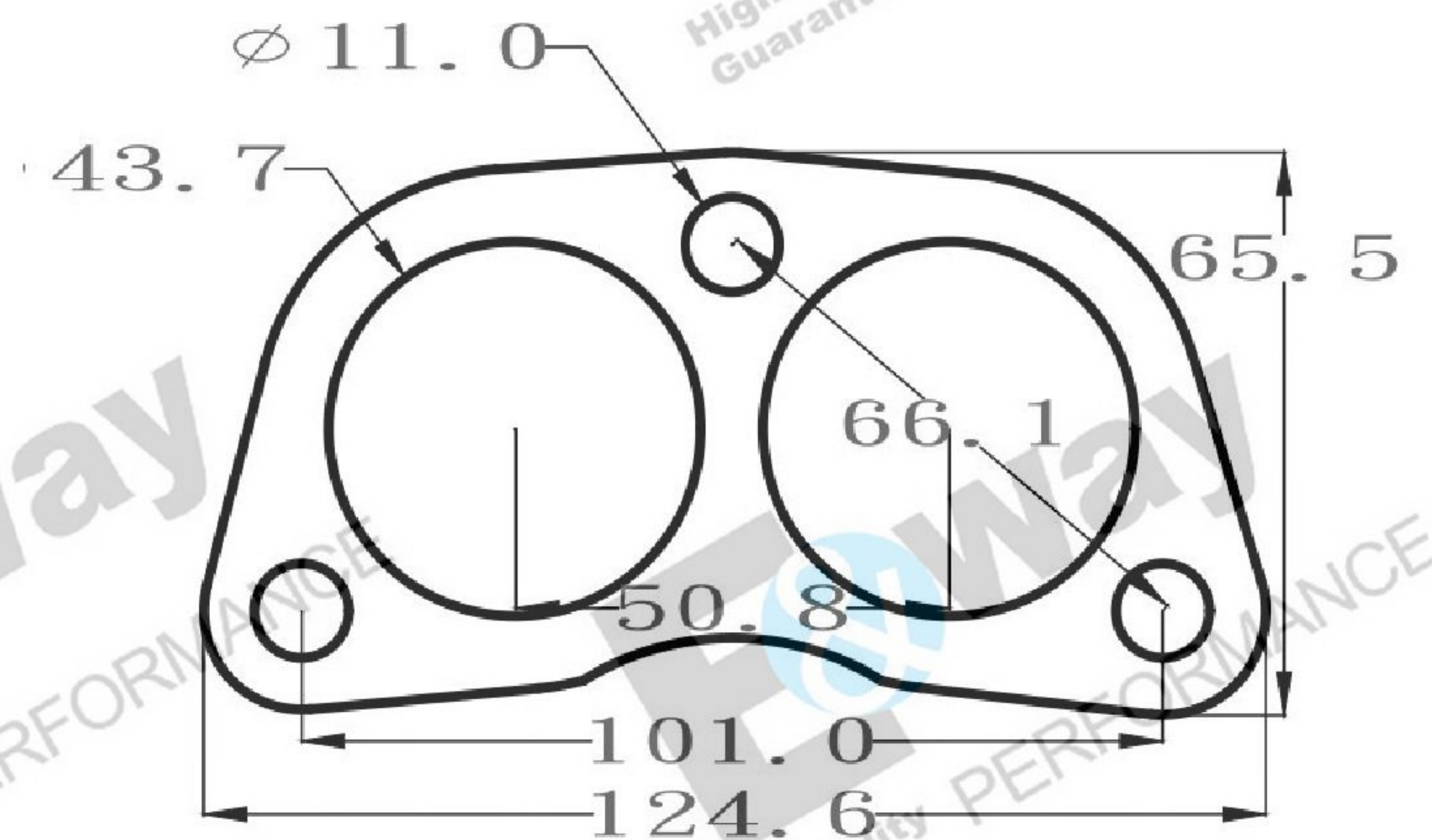
## EP3-024





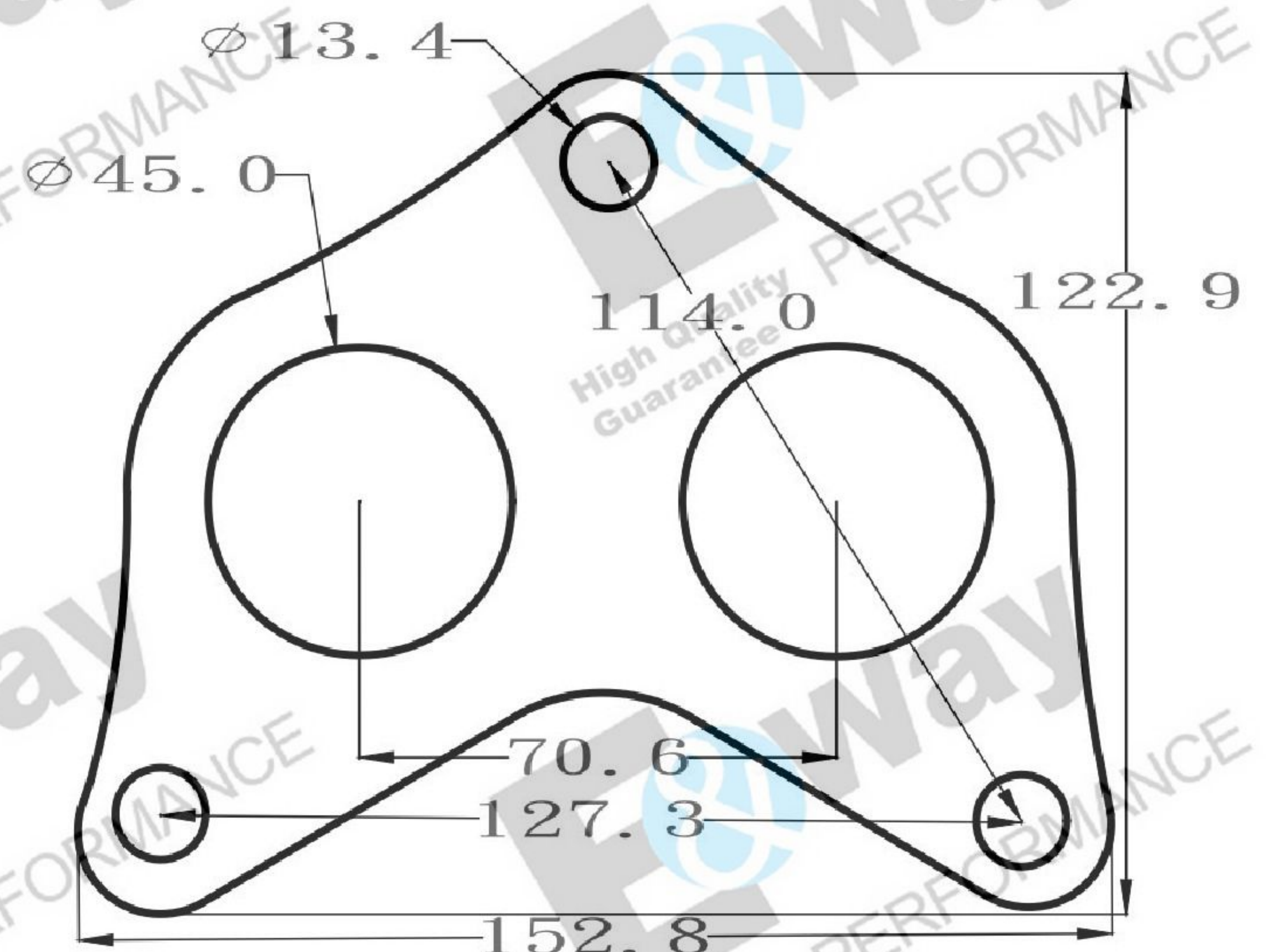
Inside Diameter(ID)=51.5/mm(2.07")  
 Bolt To Bolt=77.6/mm(3.05")64.5/mm(2.54)  
 Bolt Hole=12.8/mm(0.5")  
 Thickness=1.6~2.0/mm(0.06"~0.08")  
 Material:Steel(Mixed Asbestos Free)

## EP3-025



Inside Diameter(ID)=43.7/mm(1.72")  
 Bolt To Bolt=66.1/mm(2.60")101/mm(3.97")  
 Bolt Hole=11/mm(0.43")  
 Thickness=1.6~2.0/mm(0.06"~0.08")  
 Material:Steel(Mixed Asbestos Free)+Stainless Steel(2-Hole)

## EP3-026



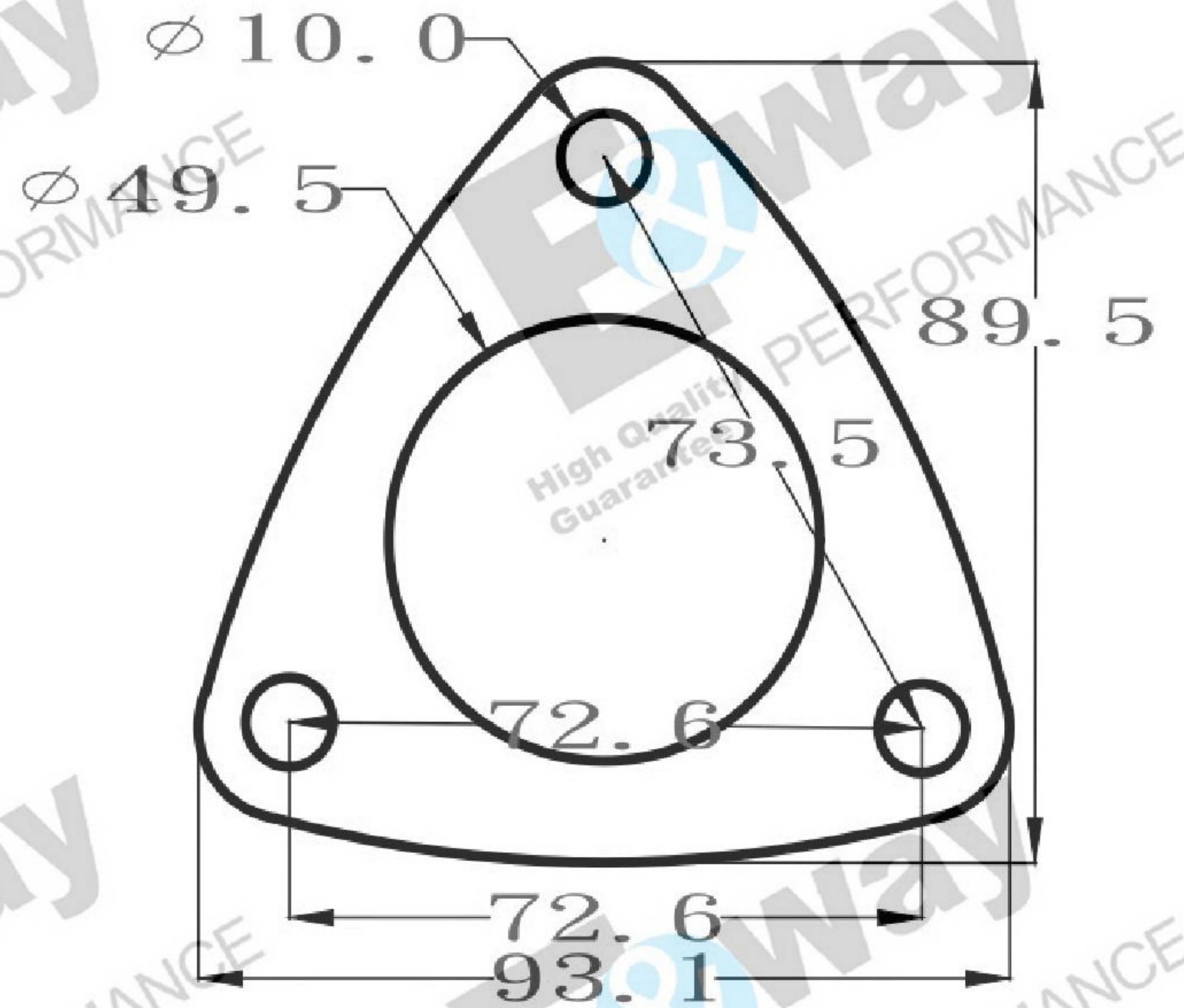
Inside Diameter(ID)=45/mm(1.77")  
 Bolt To Bolt=114/mm(4.48")127.3/mm(5.01")  
 Bolt Hole=13.4/mm(0.52")  
 Thickness=1.6~2.0/mm(0.06"~0.08")  
 Material:Steel(Mixed Asbestos Free)

## EP3-027



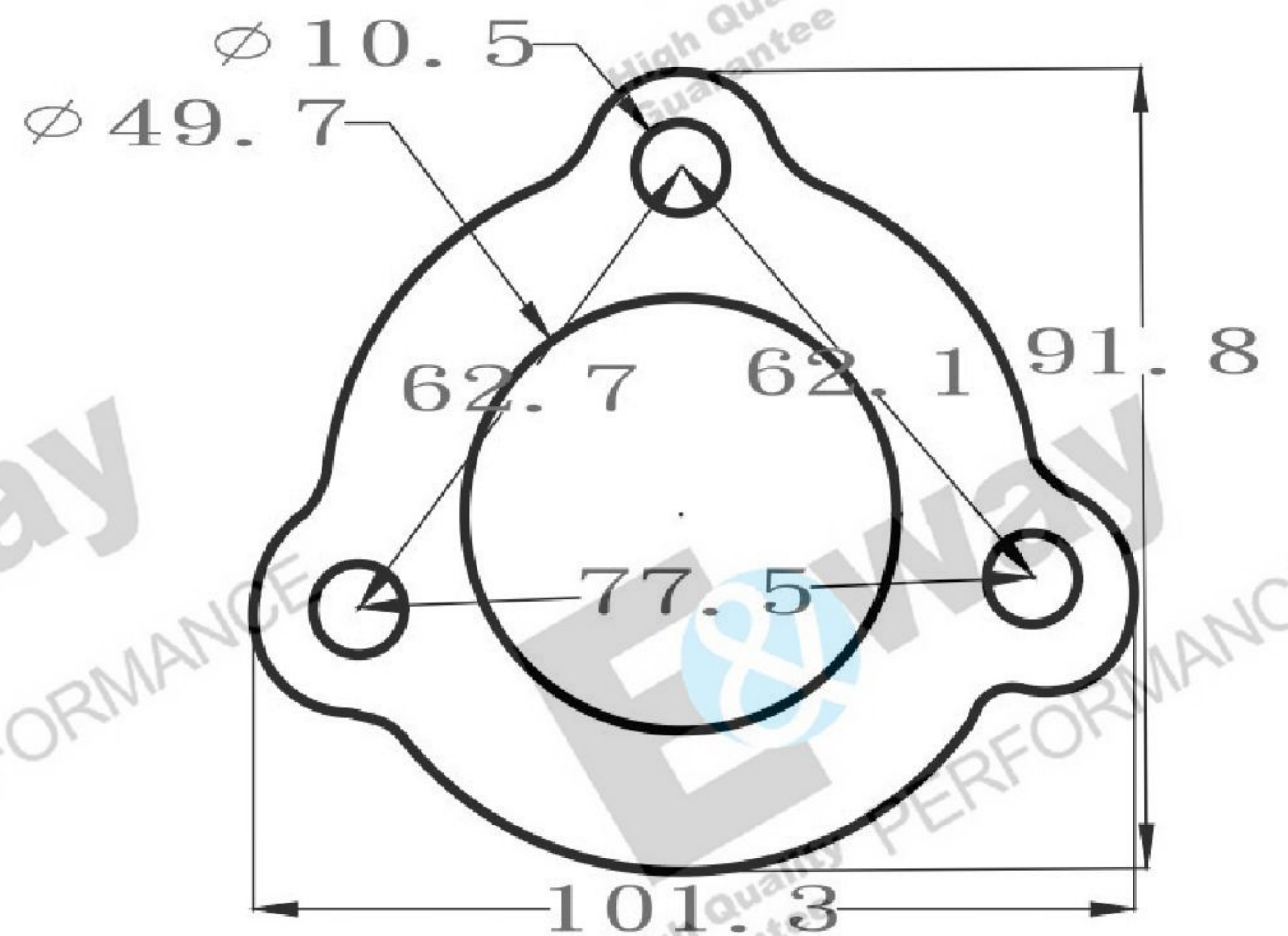
# 3-Bolt Exhaust Flange/Muffler/Pipe Gasket P10

P10



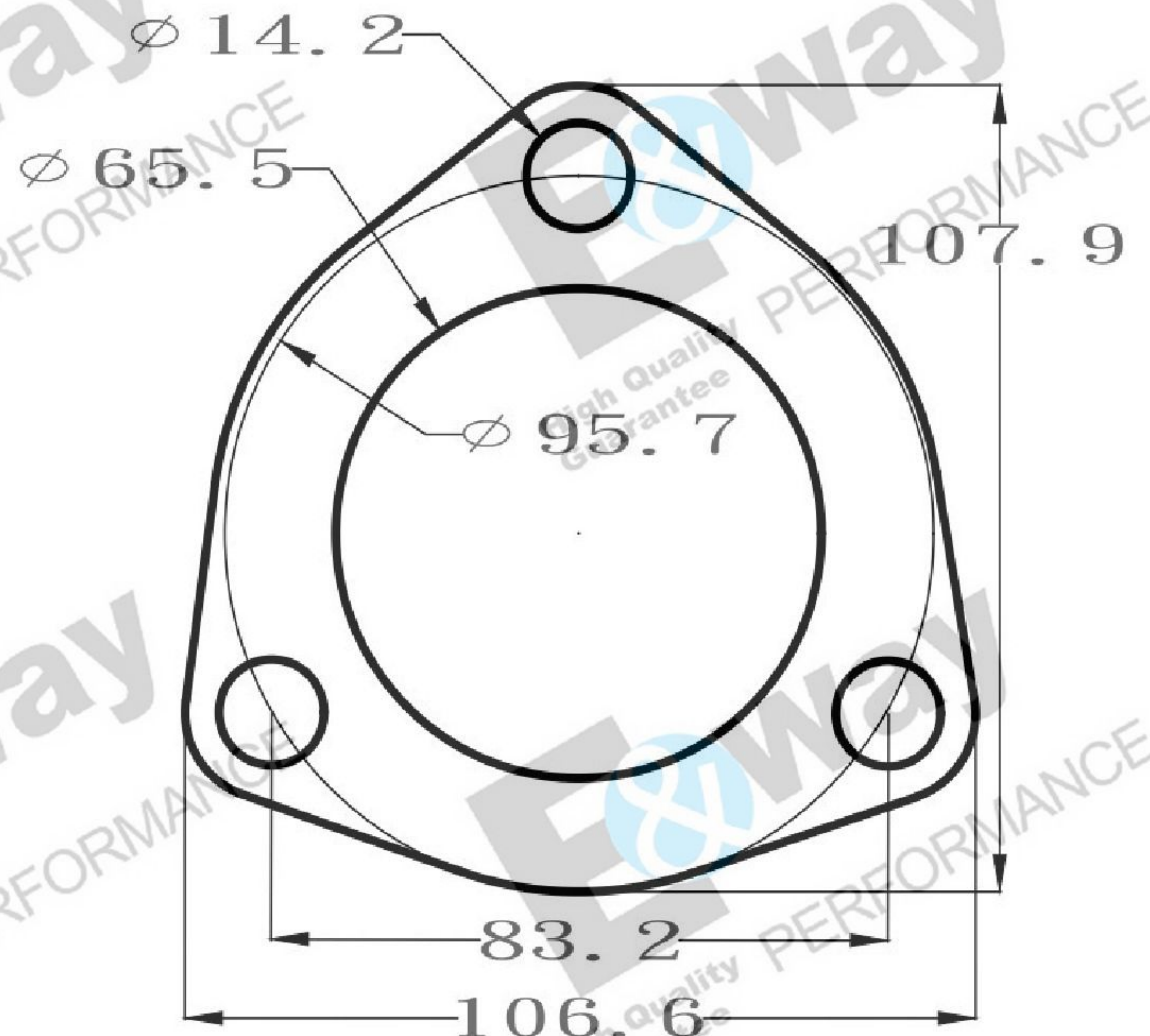
Inside Diameter(ID)=49.5/mm(1.94")  
 Bolt To Bolt=73.5/mm(2.89")72.6/mm(2.86")  
 Bolt Hole=10/mm(0.39")  
 Thickness=1.6~2.0/mm(0.06"~0.08")  
 Material:Steel(Mixed Asbestos Free)

**EP3-028**



Inside Diameter(ID)=49.7/mm(1.95")  
 Bolt To Bolt=62.7/mm(2.47")77.5/mm(3.05")  
 Bolt Hole=10.5/mm(0.41")  
 Thickness=1.6~2.0/mm(0.06"~0.08")  
 Material:Steel(Mixed Asbestos Free)+Stainless Steel(Hole)

**EP3-029**



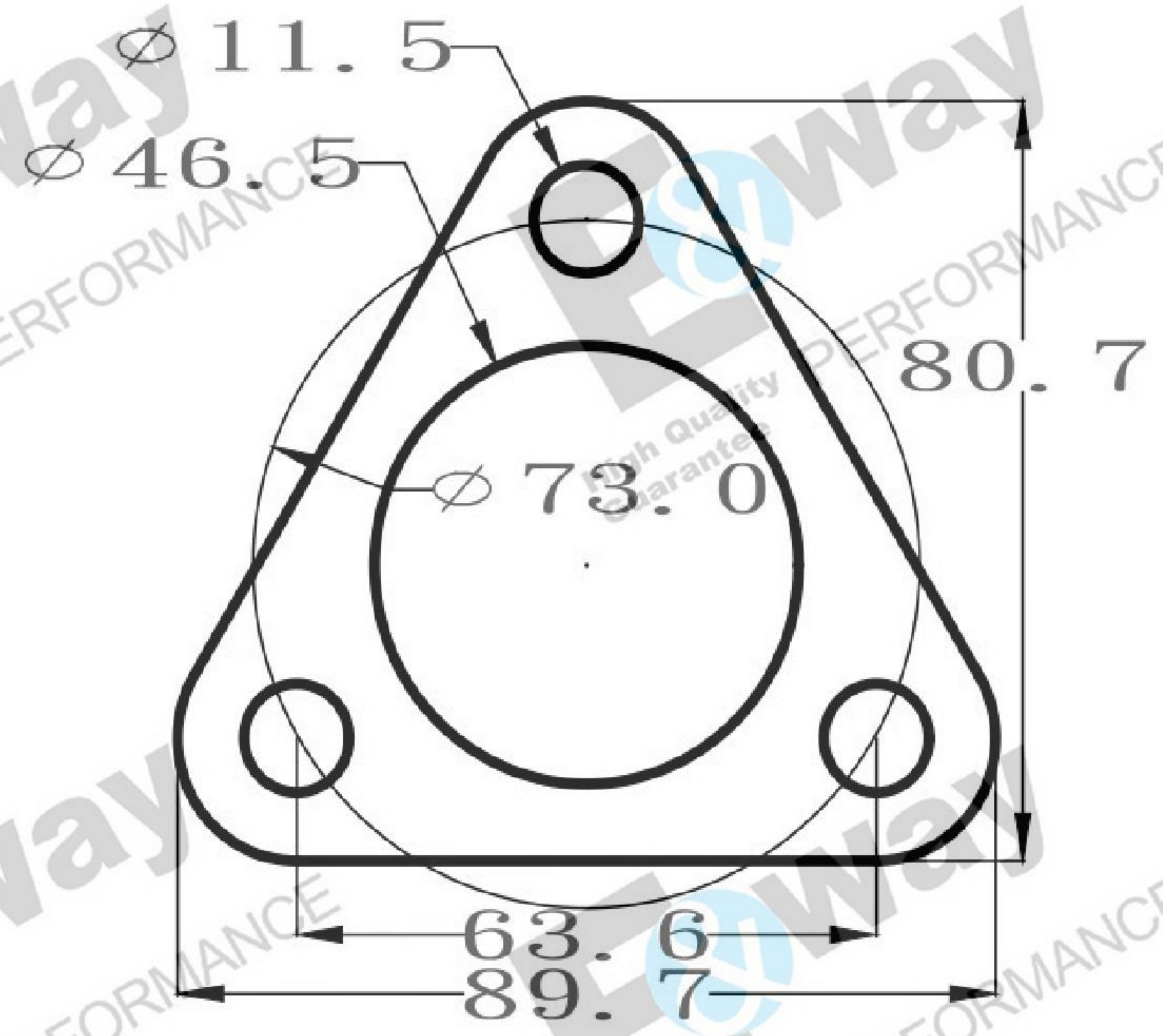
Inside Diameter(ID)=65.5/mm(2.57")  
 Bolt Circle=95.7/mm(3.77")  
 Bolt Hole=14.2/mm(0.55")  
 Thickness=1.6~2.0/mm(0.06"~0.08")  
 Material:Steel(Mixed Asbestos Free)

**EP3-030**



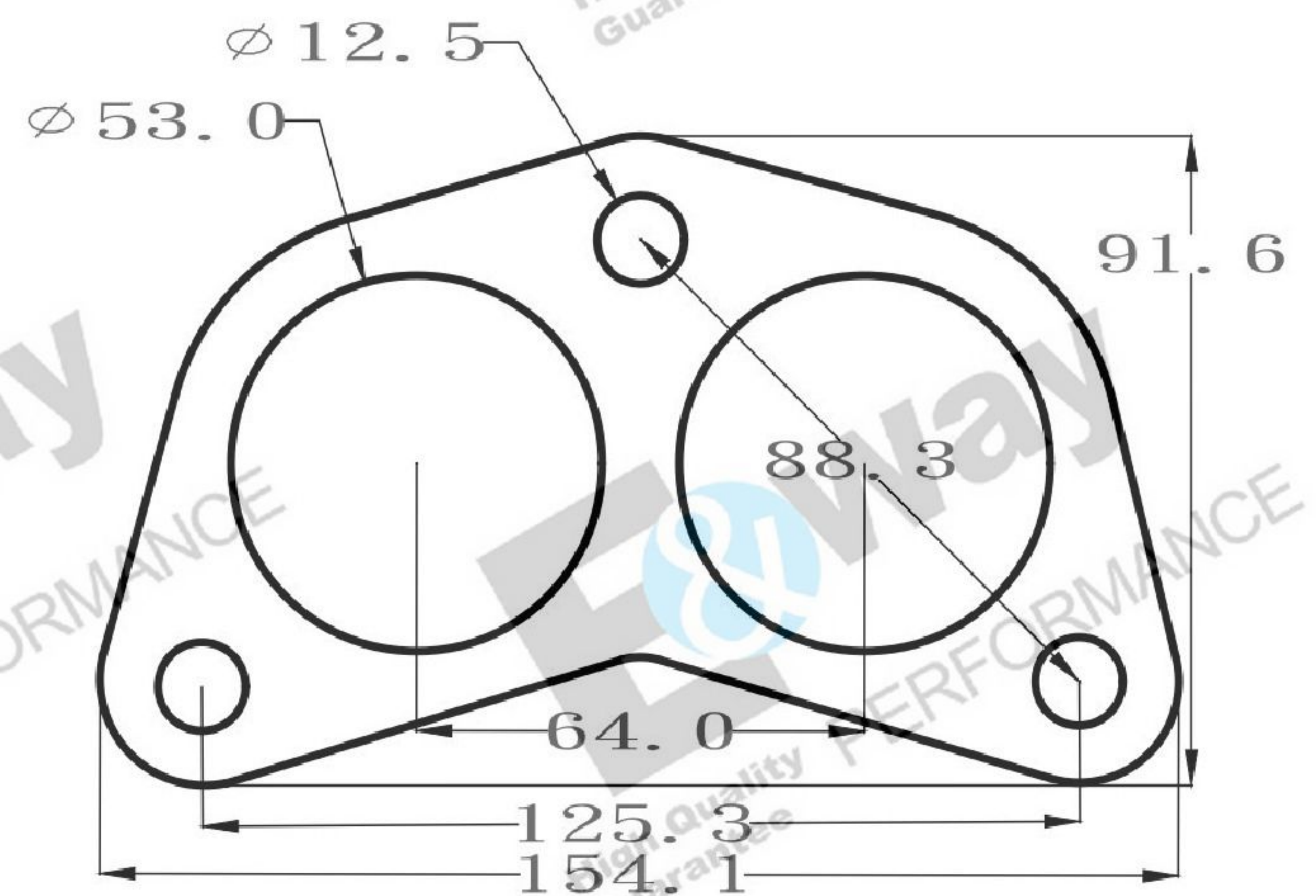
# 3-Bolt Exhaust Flange/Muffler/Pipe Gasket P11

P11



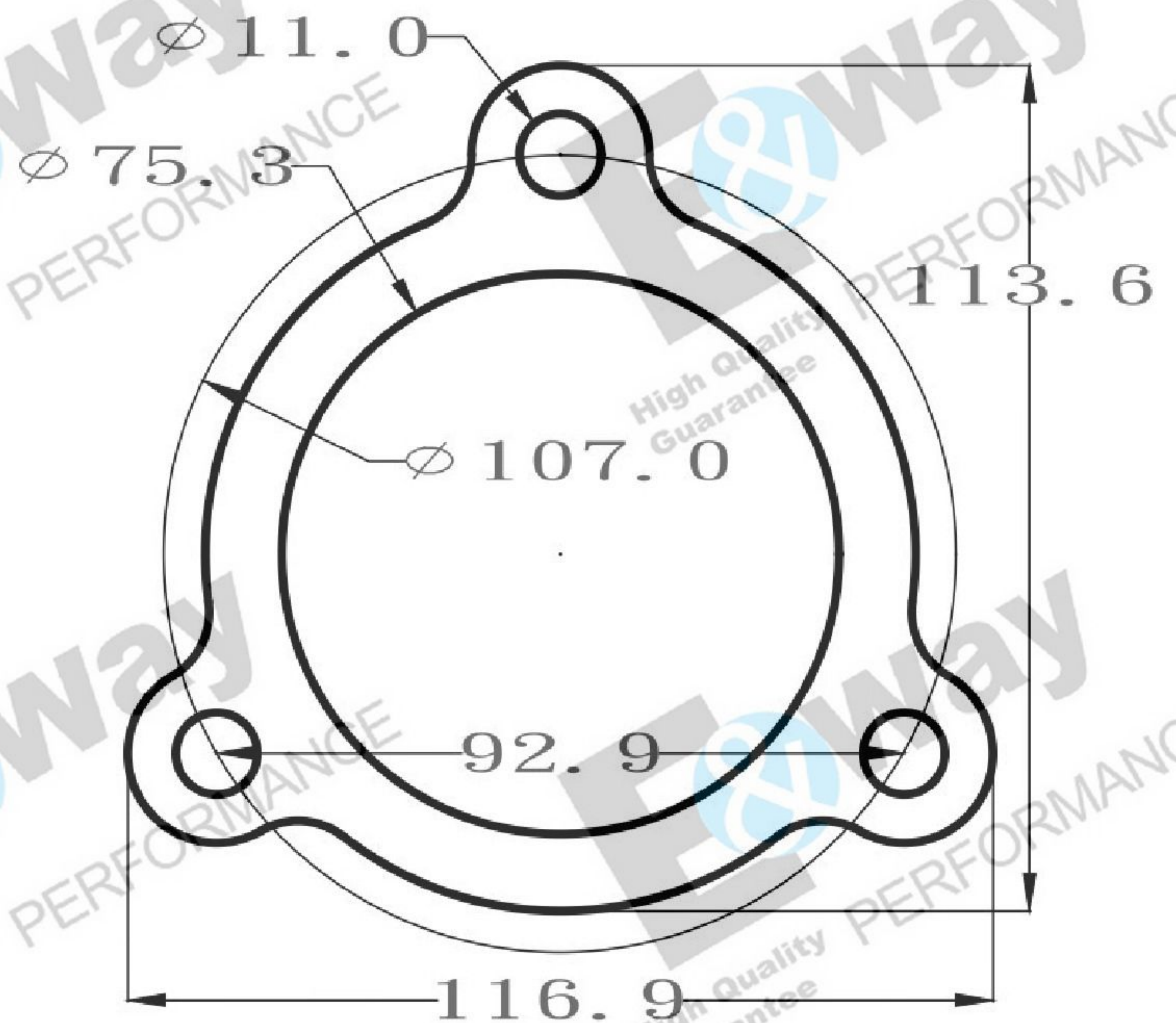
Inside Diameter(ID)=46.5/mm(1.83")  
 Bolt Circle=73/mm(2.87")  
 Bolt Hole=11.5/mm(0.45")  
 Thickness=1.6~2.0/mm(0.06"~0.08")  
 Material:Steel(Mixed Asbestos Free)

**EP3-031**



Inside Diameter(ID)=53/mm(2.08")  
 Bolt To Bolt=88.3/mm(3.47")125.3/mm(4.93")  
 Bolt Hole=12.5/mm(0.49")  
 Thickness=1.6~2.0/mm(0.06"~0.08")  
 Material:Steel(Mixed Asbestos Free)

**EP3-032**



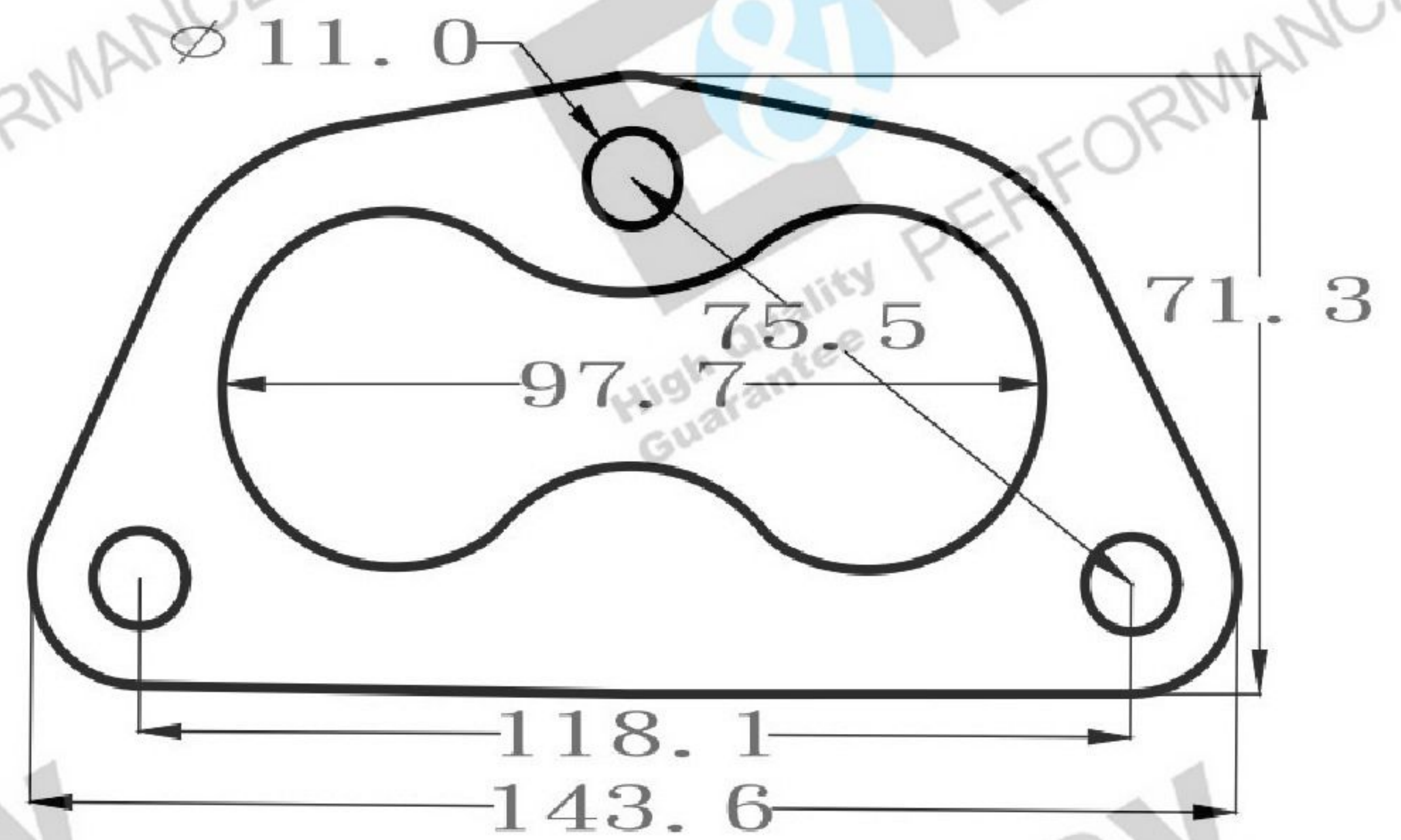
Inside Diameter(ID)=75.3/mm(2.96")  
 Bolt Circle=107/mm(4.21")  
 Bolt Hole=11/mm(0.43")  
 Thickness=0.6/mm(0.02")  
 Material:Stainless Steel(2-Layer)

**EP3-033**



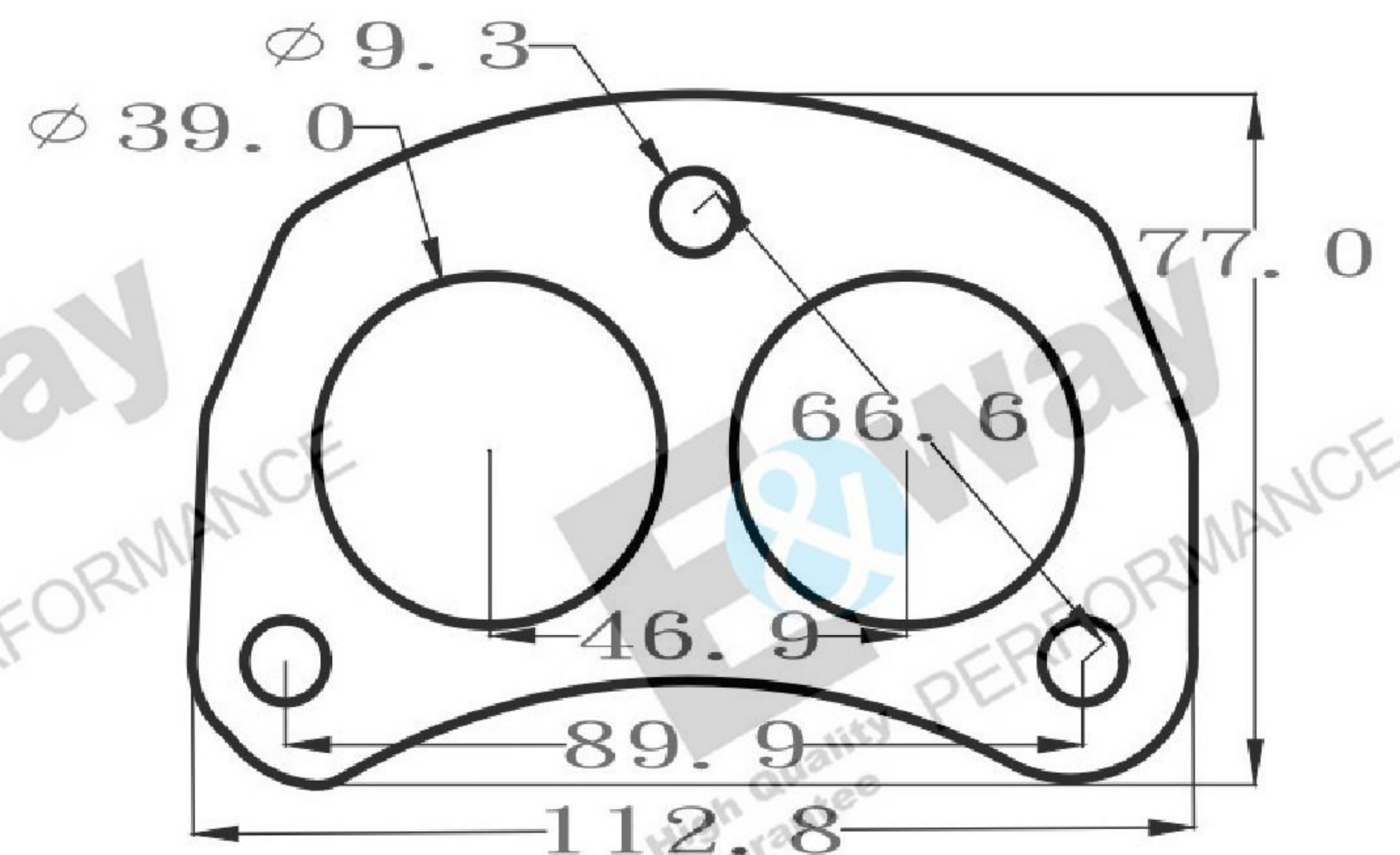
# 3-Bolt Exhaust Flange/Muffler/Pipe Gasket P12

P12



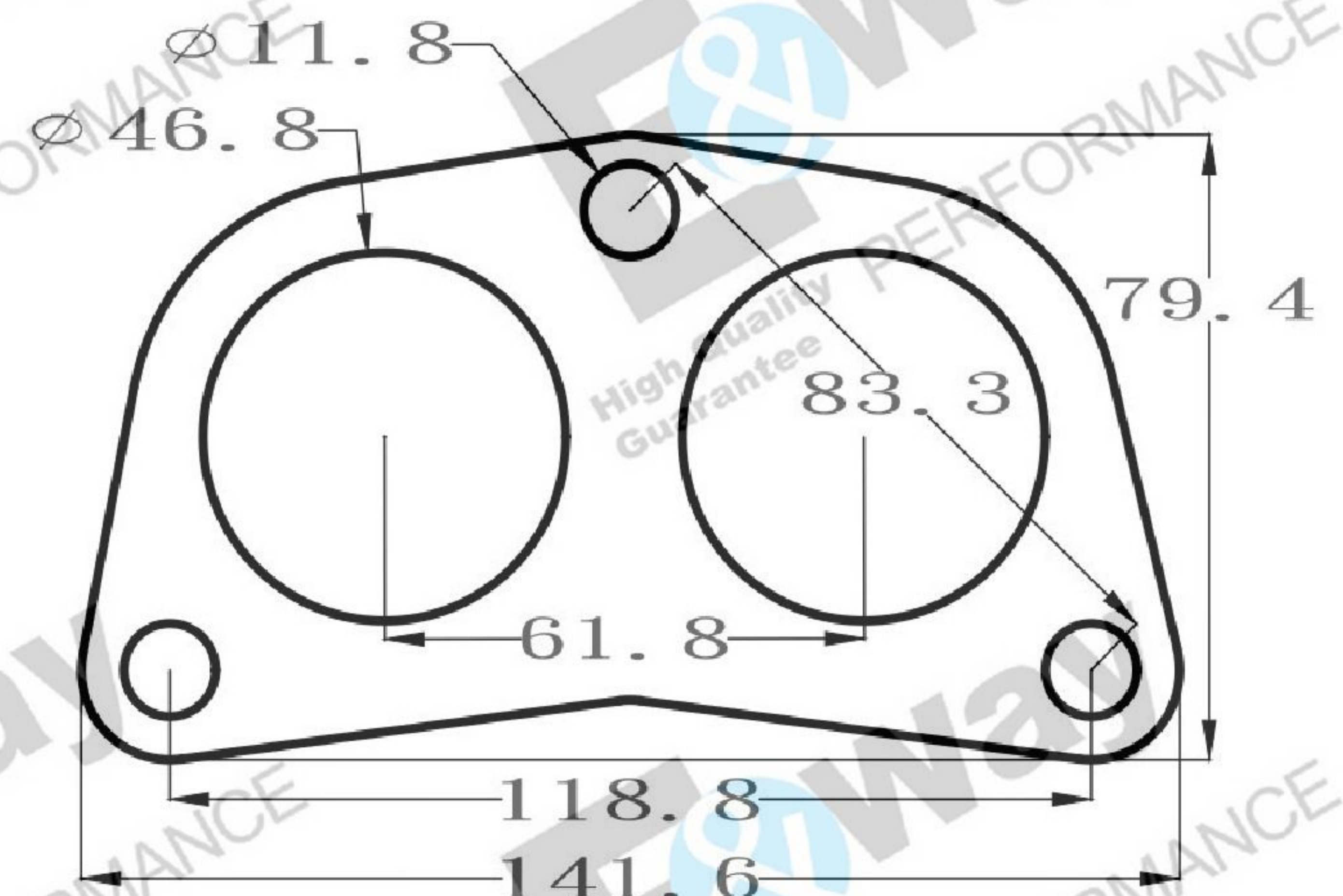
Inside Diameter(ID)=97.7/mm(3.84")  
 Bolt To Bolt=75.5/mm(2.97")118.1/mm(4.65")  
 Bolt Hole=11/mm(0.43")  
 Thickness=1.6~2.0/mm(0.06"~0.08")  
 Material:Steel(Mixed Asbestos Free)

**EP3-034**



Inside Diameter(ID)=39/mm(1.53")  
 Bolt To Bolt=66.6/mm(2.62")89.9/mm(3.54")  
 Bolt Hole=9.3/mm(0.36")  
 Thickness=1.6~2.0/mm(0.06"~0.08")  
 Material:Graphite(Mixed Steel)+Stainless Steel(2-Hole)

**EP3-035**



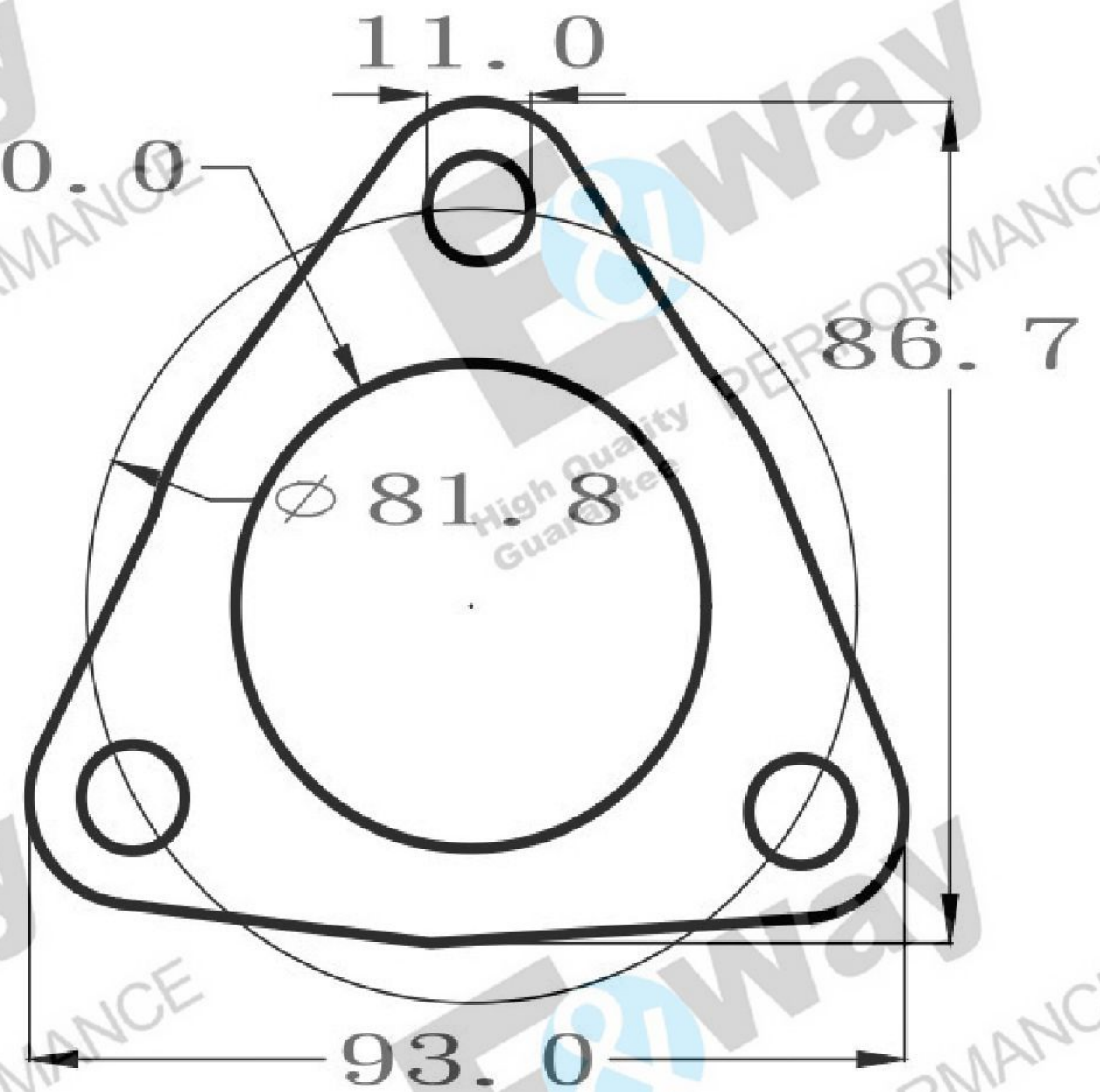
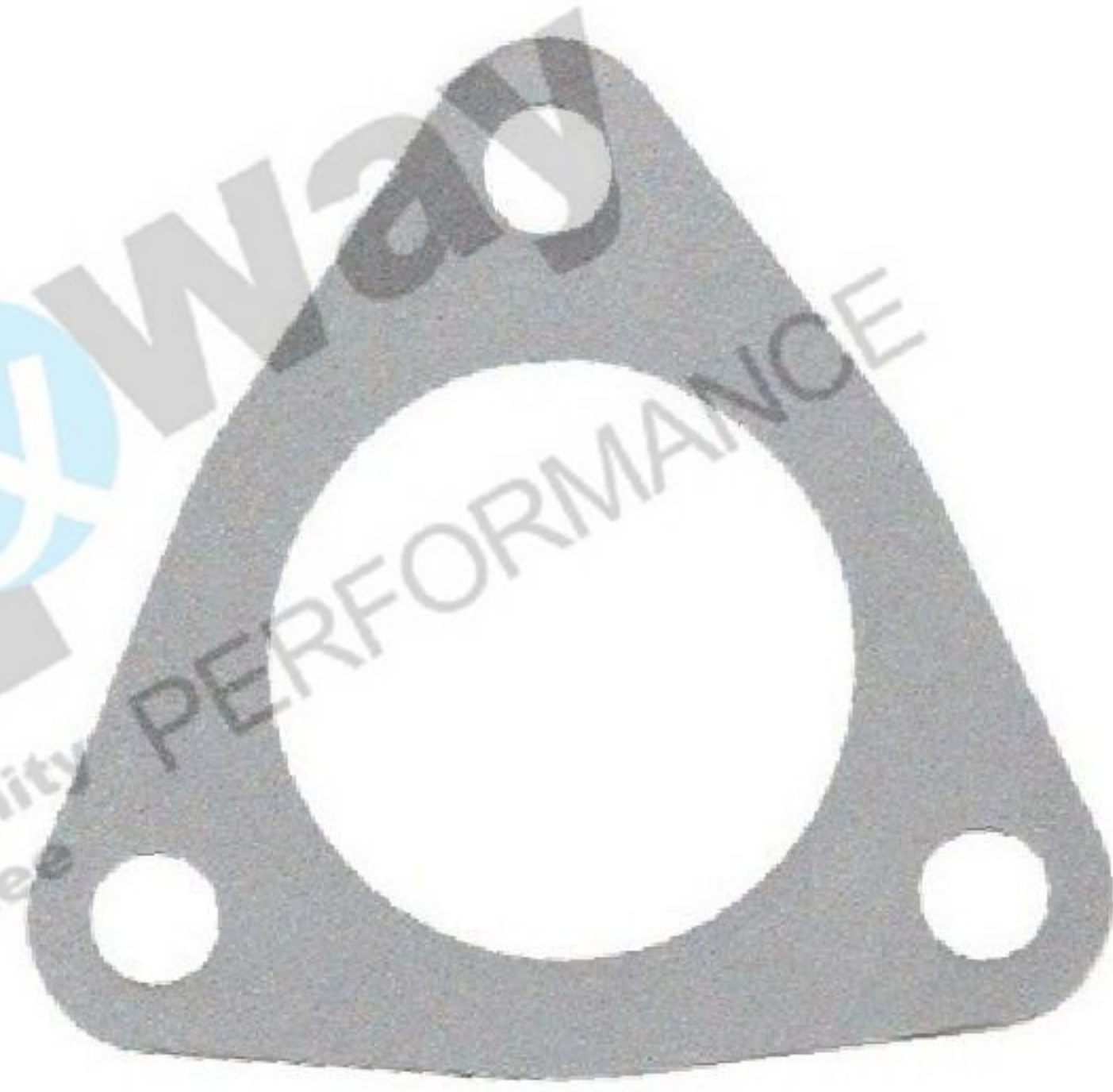
Inside Diameter(ID)=46.8/mm(1.84")  
 Bolt To Bolt=83.3/mm(3.27")118.8/mm(4.68")  
 Bolt Hole=11.8/mm(0.46")  
 Thickness=1.6~2.0/mm(0.06"~0.08")  
 Material:Steel(Mixed Asbestos Free)+Stainless Steel(2-Hole)

**EP3-036**



# 3-Bolt Exhaust Flange/Muffler/Pipe Gasket P13

P13



Inside Diameter(ID)=50/mm(1.96")

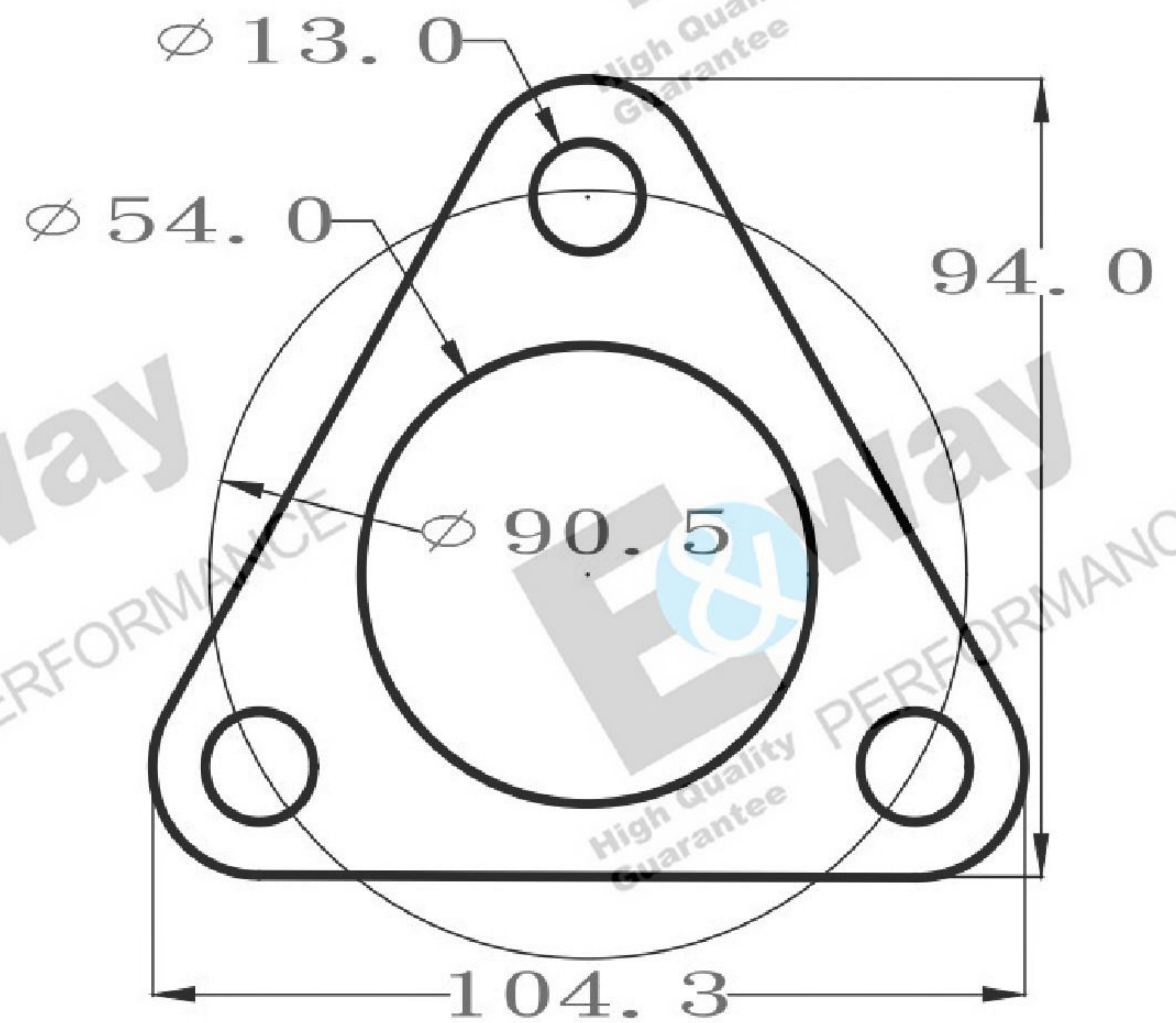
Bolt Circle=81.8/mm(3.22")

Bolt Hole=11/mm(0.43")

Thickness=0.65/mm(0.03")

Material:Steel(Single-Layer)

**EP3-037**



Inside Diameter(ID)=54/mm(2.12")

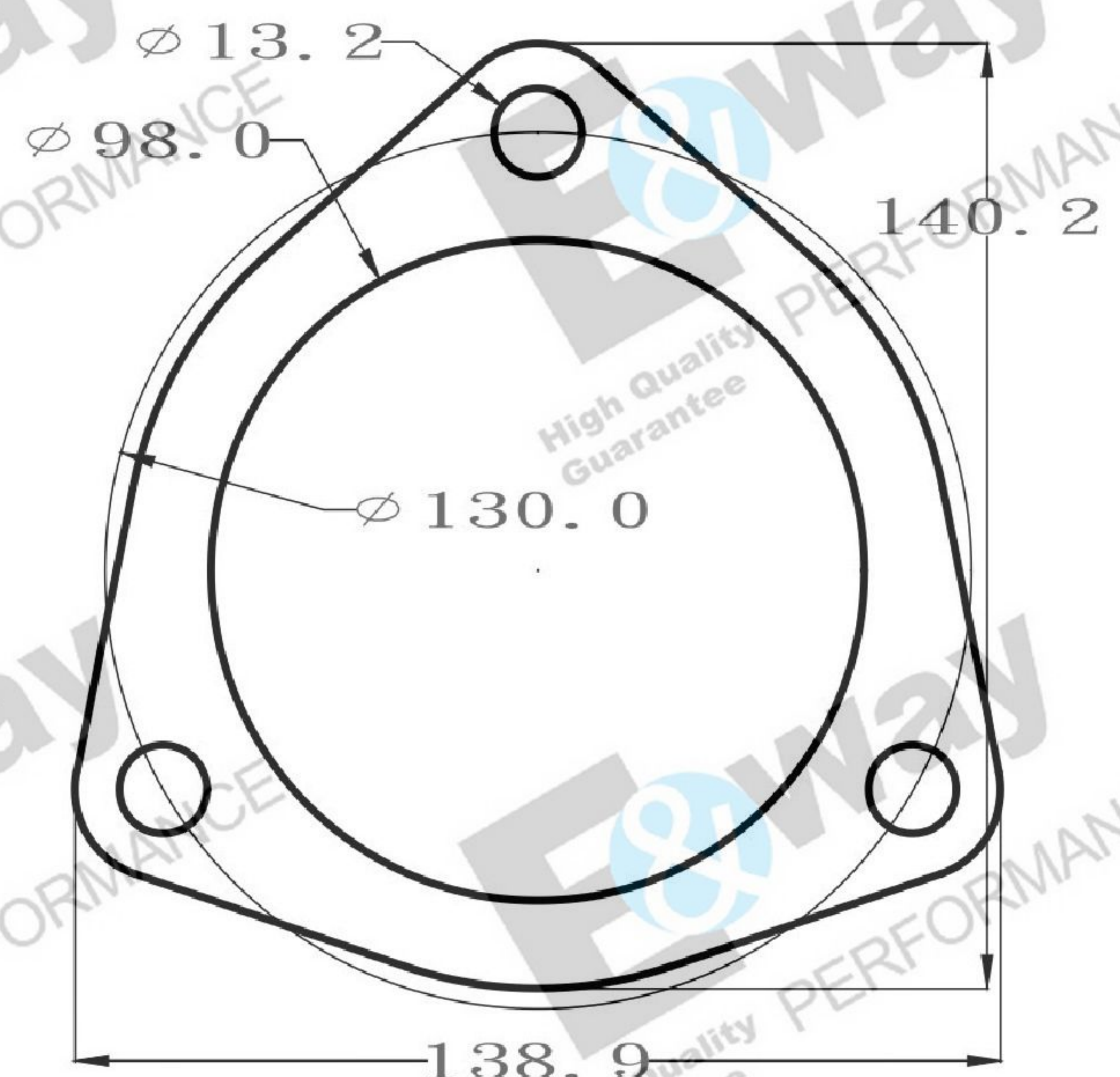
Bolt Circle=90.5/mm(3.56")

Bolt Hole=13/mm(0.51")

Thickness=1.6~2.0/mm(0.06"~0.08")

Material:Steel(Mixed Asbestos Free)

**EP3-038**



Inside Diameter(ID)=98/mm(3.85")

Bolt Circle=130/mm(5.12")

Bolt Hole=13.2/mm(0.51")

Thickness=1.3/mm(0.05")

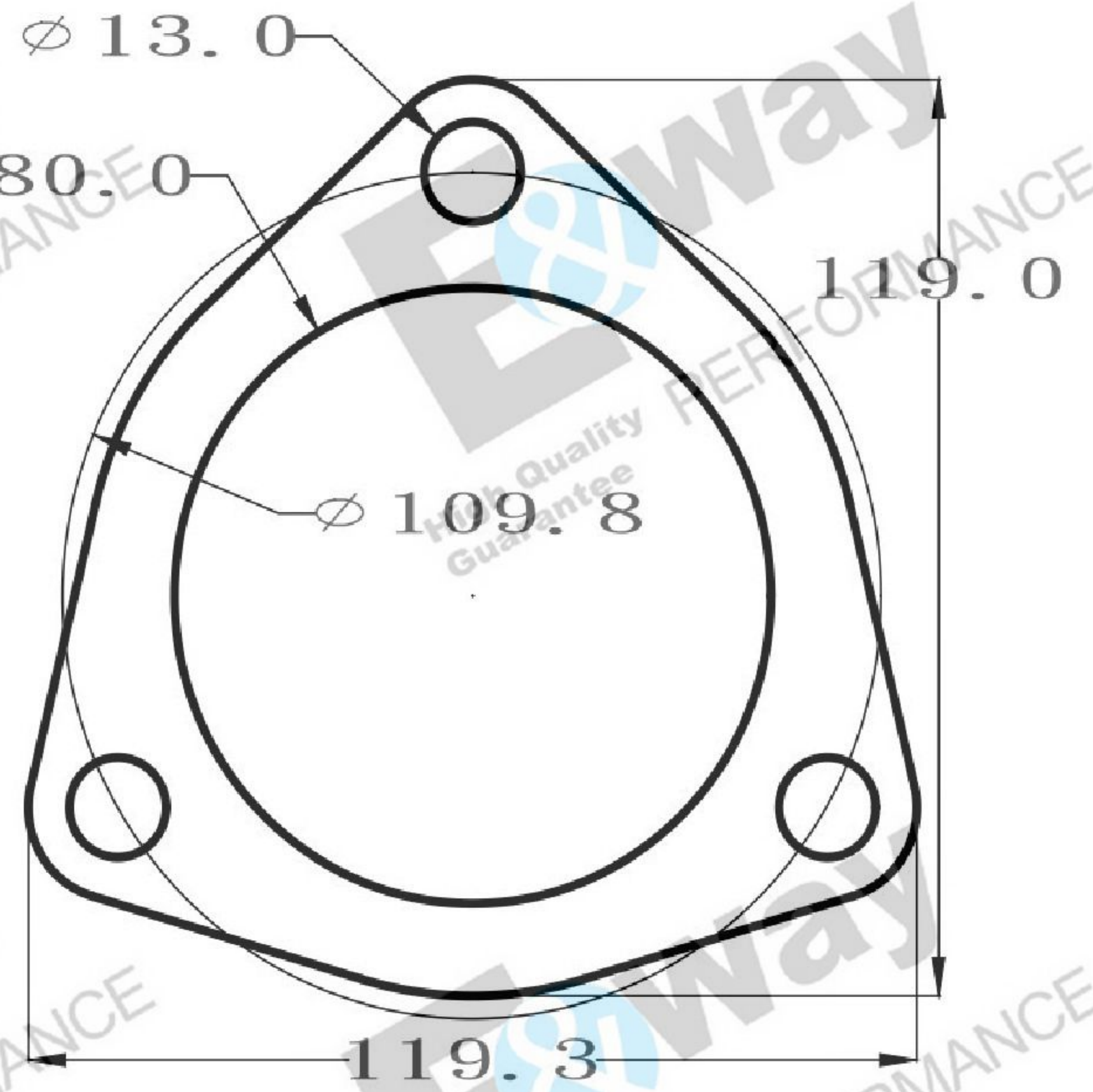
Material:Stainless Steel(4-Layer)

**EP3-039**



# 3-Bolt Exhaust Flange/Muffler/Pipe Gasket P14

P14



Inside Diameter(ID)=80/mm(3.14")

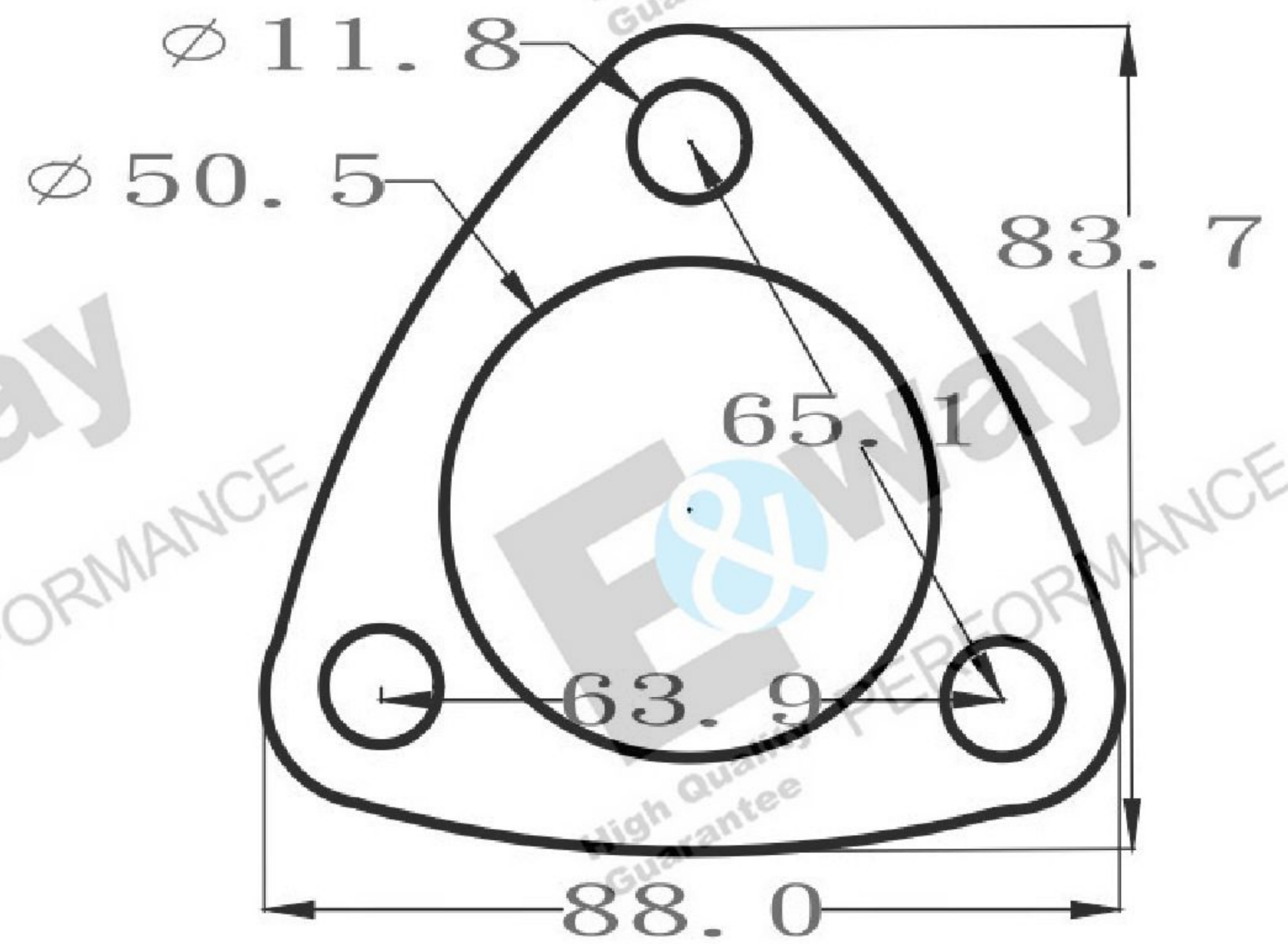
Bolt Circle=109.8/mm(4.32")

Bolt Hole=13/mm(0.51")

Thickness=1.6/mm(0.06")

Material:Steel(3-Layer)

**EP3-040**



Inside Diameter(ID)=50/mm(1.96")

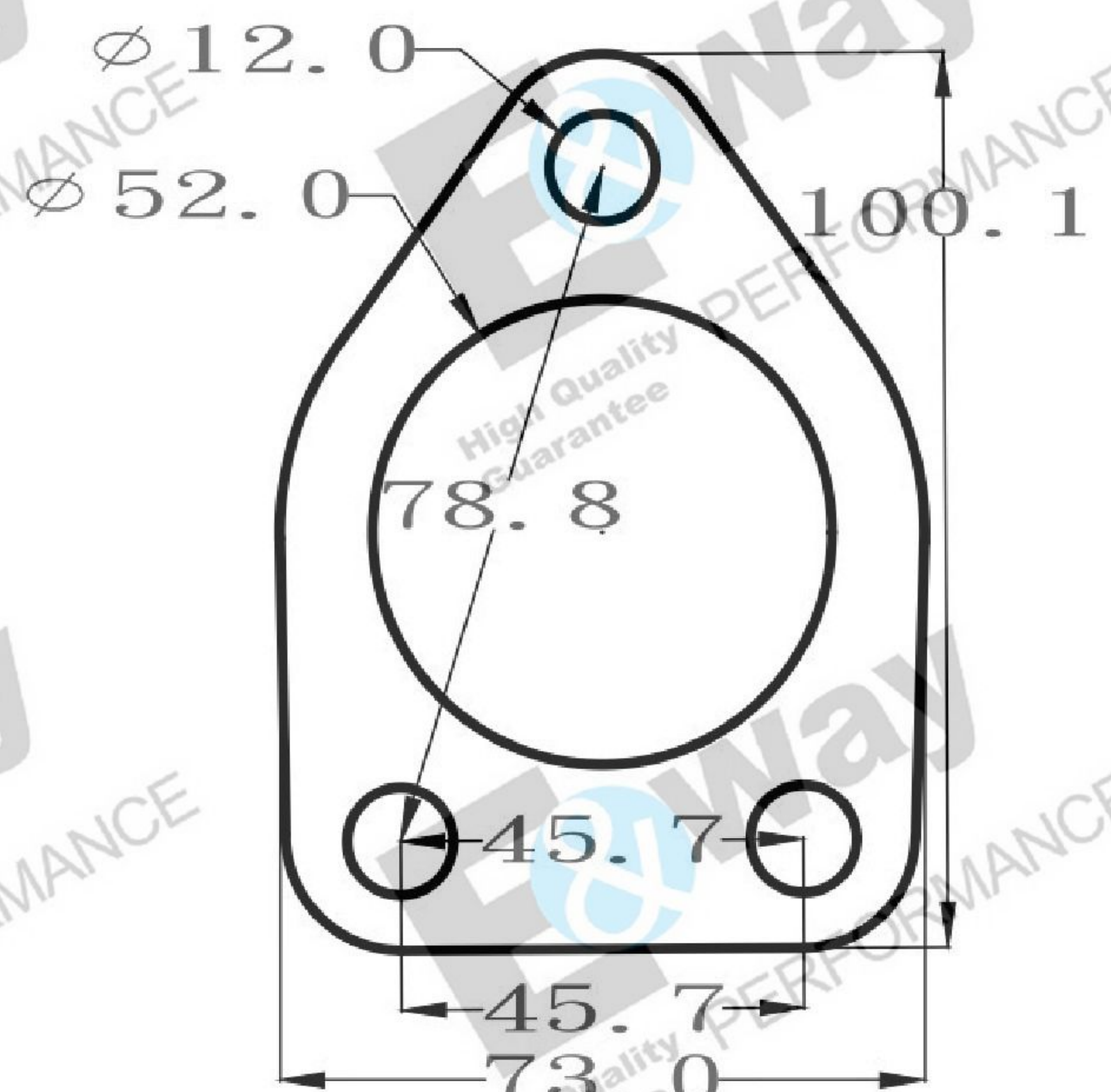
Bolt To Bolt=65.1/mm(2.56")63.9/mm(2.52")

Bolt Hole=11.8/mm(0.46")

Thickness=1.6~2.0/mm(0.06"~0.08")

Material:Steel(Mixed Asbestos Free)

**EP3-041**



Inside Diameter(ID)=52/mm(2.04")

Bolt To Bolt=78.8/mm(3.10")45.7/mm(1.80")

Bolt Hole=12/mm(0.47")

Thickness=1.6~2.0/mm(0.06"~0.08")

Material:Steel(Mixed Asbestos Free)

**EP3-042**



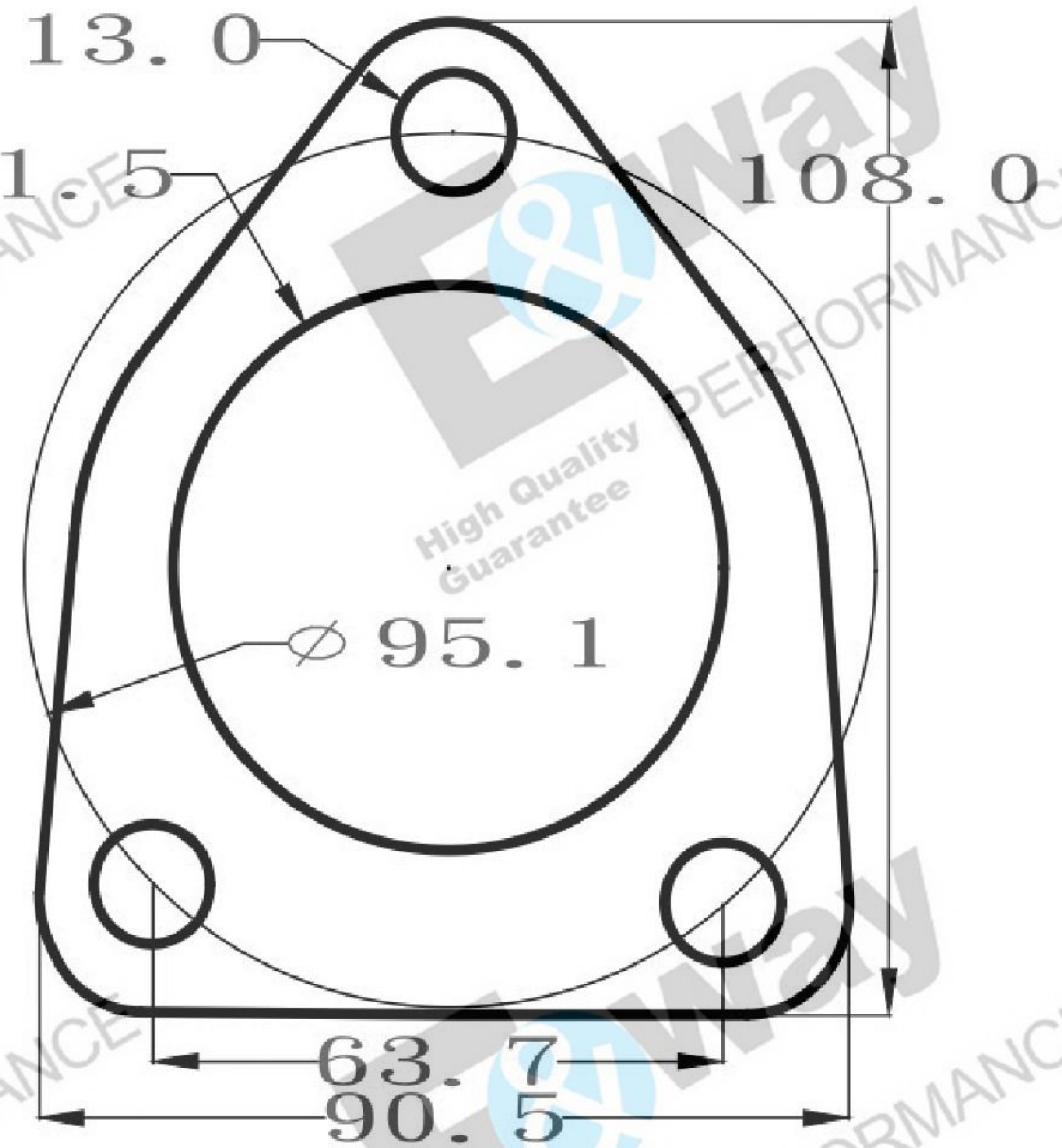
# 3-Bolt Exhaust Flange/Muffler/Pipe Gasket P15

P15



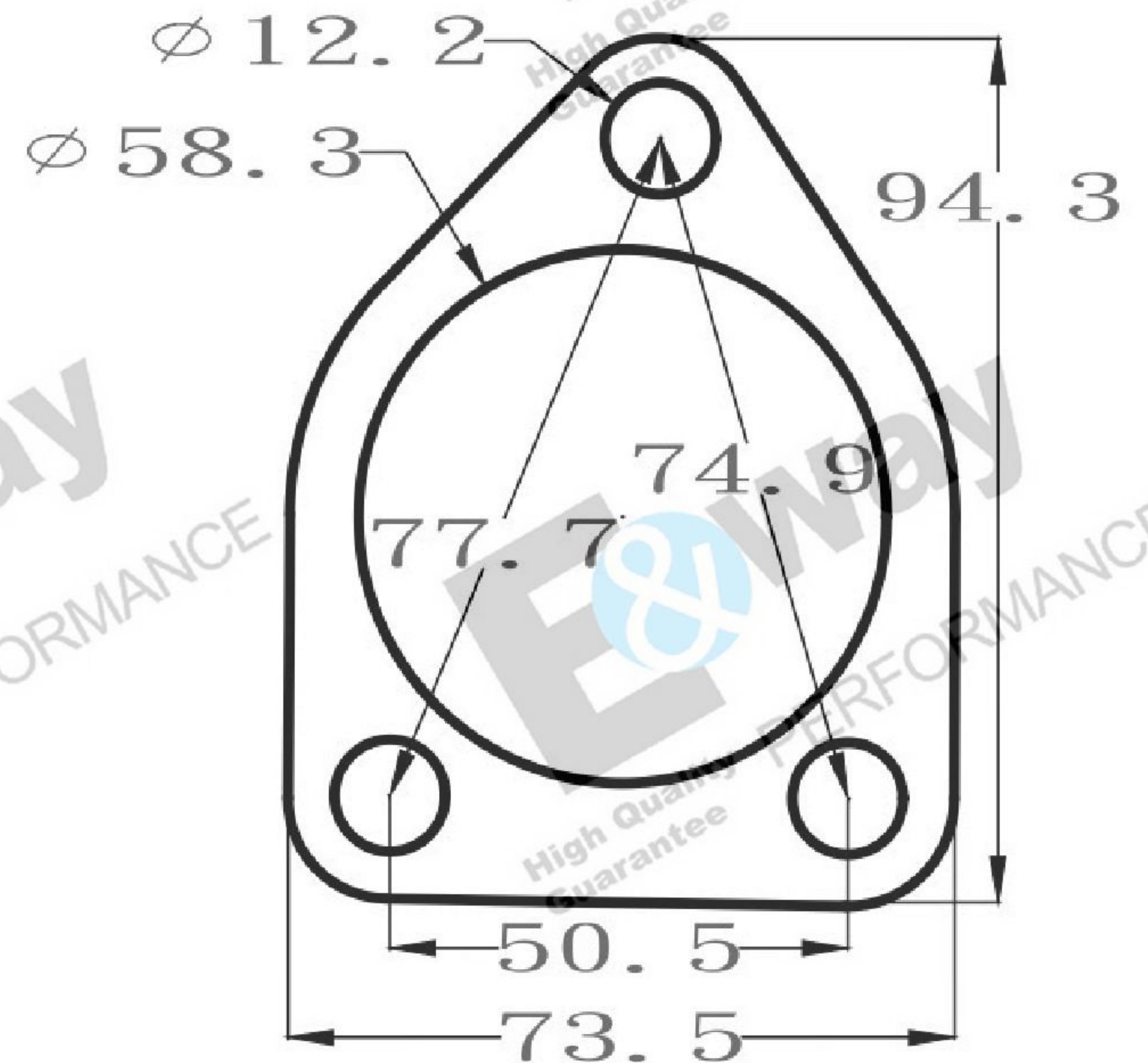
Inside Diameter(ID)=61.5/mm(2.42")  
 Bolt Circle=95.1/mm(3.74")  
 Bolt Hole=13/mm(0.51")  
 Thickness=1.6~2.0/mm(0.06"~0.08")  
 Material:Steel(Mixed Asbestos Free)

**EP3-043**



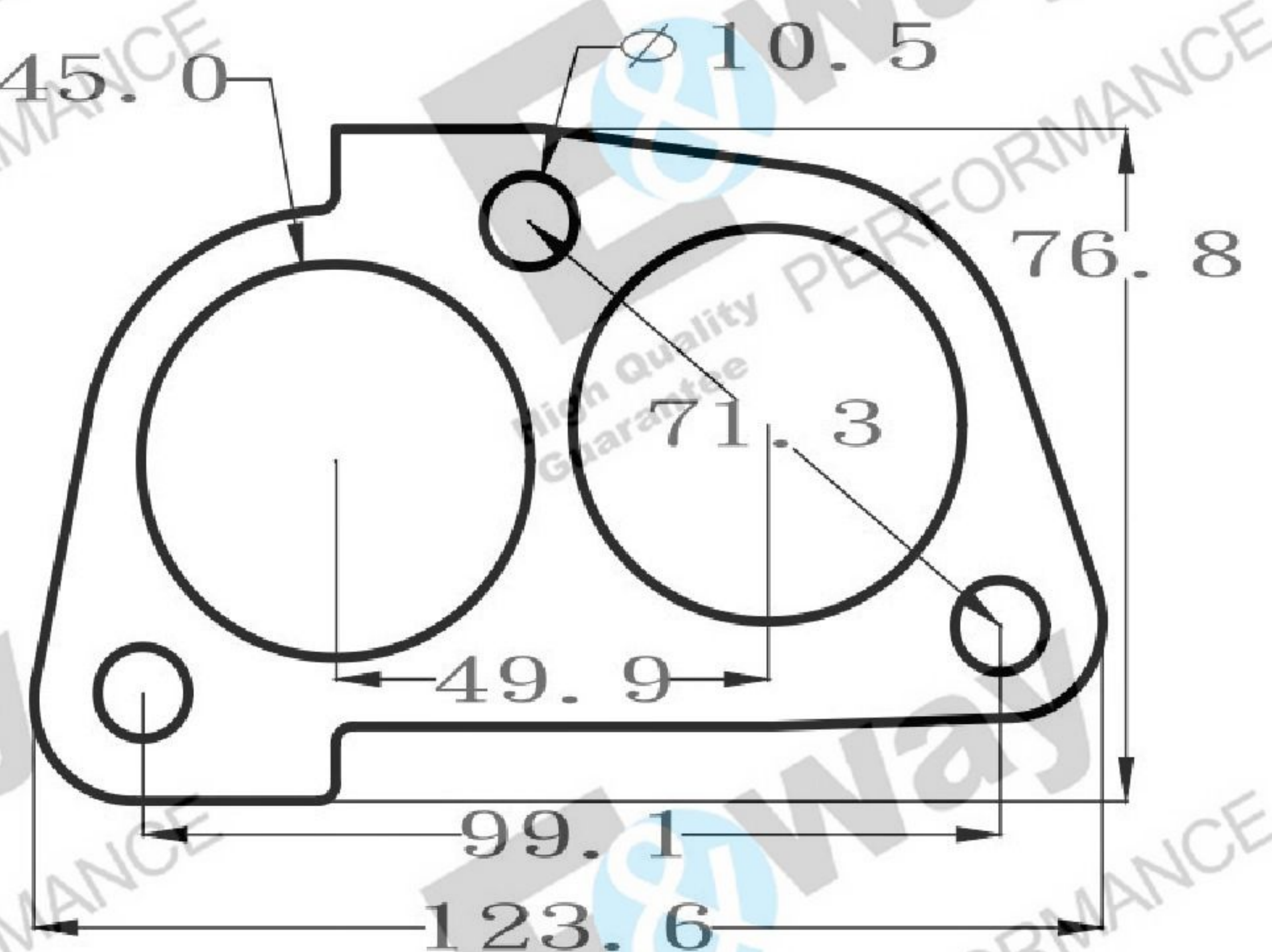
Inside Diameter(ID)=58.3/mm(2.29")  
 Bolt To Bolt=77.7/mm(3.06")74.9/mm(2.95")  
 Bolt Hole=12.2/mm(0.48")  
 Thickness=1.6~2.0/mm(0.06"~0.08")  
 Material:Steel(Mixed Asbestos Free)

**EP3-044**



Inside Diameter(ID)=45/mm(1.77")  
 Bolt To Bolt=71.3/mm(2.81")99.1/mm(3.90")  
 Bolt Hole=10.5/mm(0.41")  
 Thickness=1.6~2.0/mm(0.06"~0.08")  
 Material:Steel(Mixed Asbestos Free)

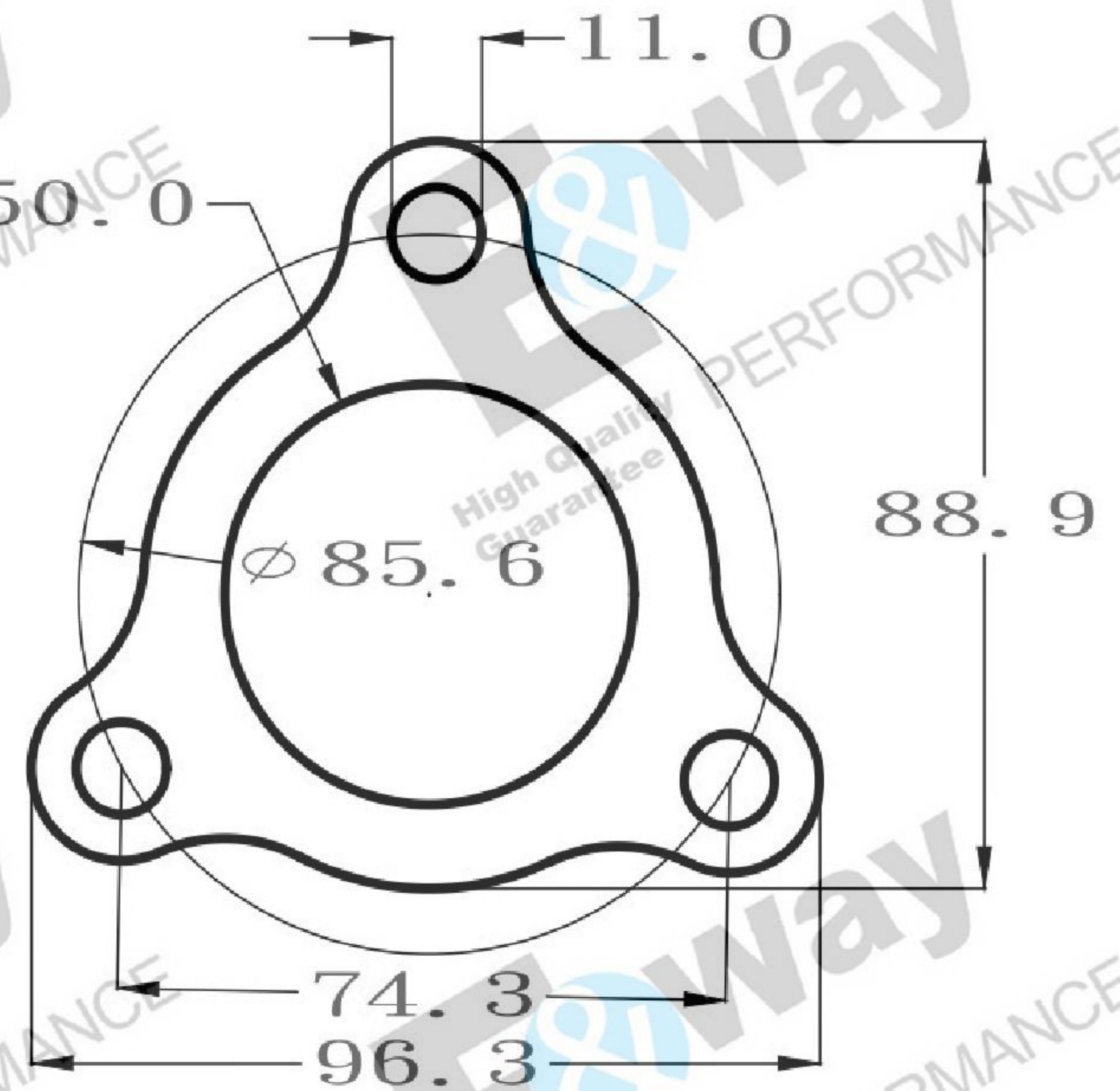
**EP3-045**





# 3-Bolt Exhaust Flange/Muffler/Pipe Gasket P16

P16



Inside Diameter(ID)=50/mm(1.96")

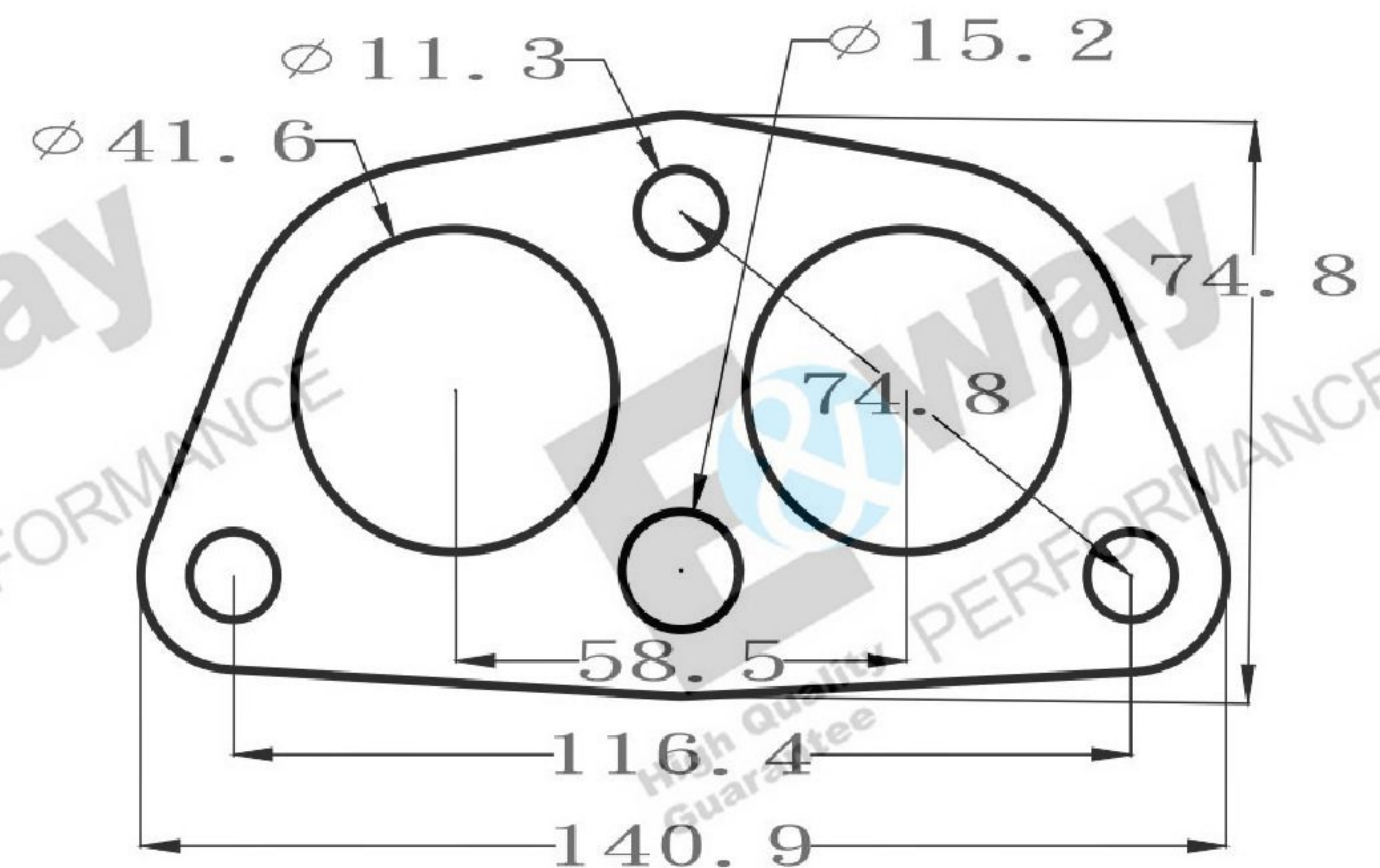
Bolt Circle=85.6/mm(3.37")

Bolt Hole=11/mm(0.43")

Thickness=0.65/mm(0.03")

Material:Steel(Single-Layer)

**EP3-046**



Inside Diameter(ID)=41.6/mm(1.63")

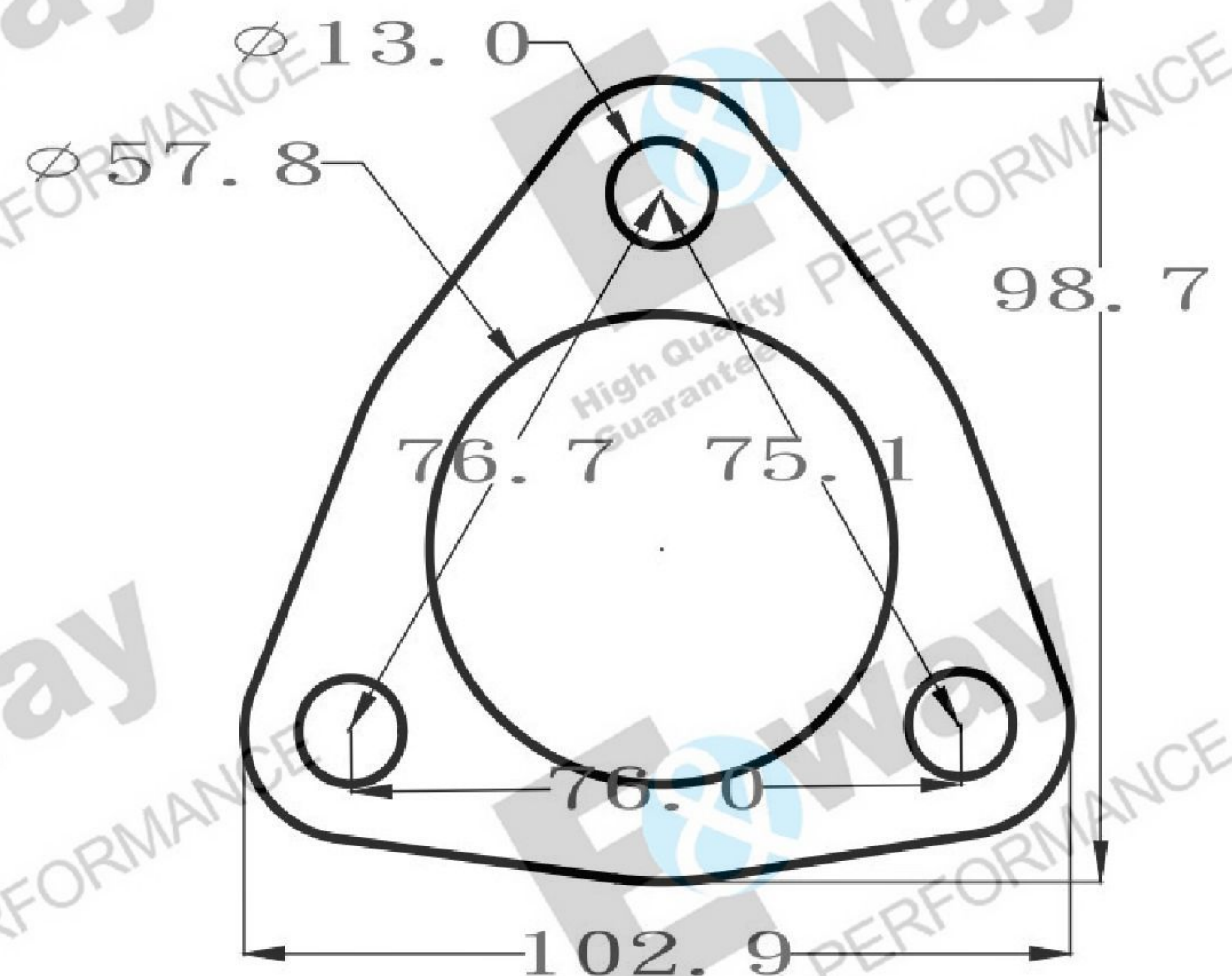
Bolt To Bolt=74.8/mm(2.94")116.4/mm(4.58")

Bolt Hole=11.3/mm(0.44")15.2/mm(0.59")

Thickness=1.6~2.0/mm(0.06"~0.08")

Material:Steel(Mixed Asbestos Free)

**EP3-047**



Inside Diameter(ID)=57.8/mm(2.27")

Bolt To Bolt=76.7/mm(3.02")75.1/mm(2.96")

Bolt Hole=13/mm(0.51")

Thickness=1.6~2.0/mm(0.06"~0.08")

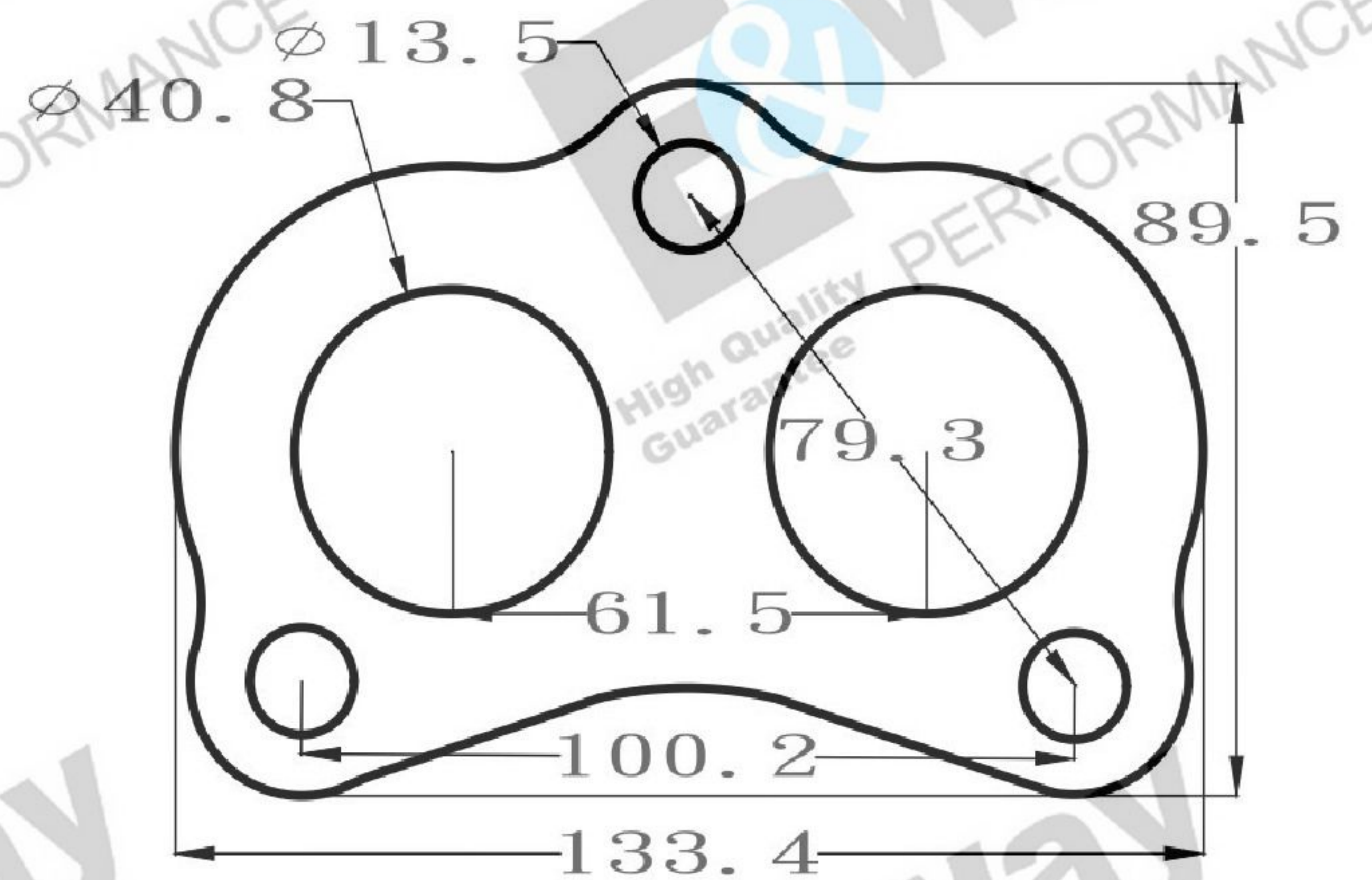
Material:Steel(Mixed Asbestos Free)

**EP3-048**



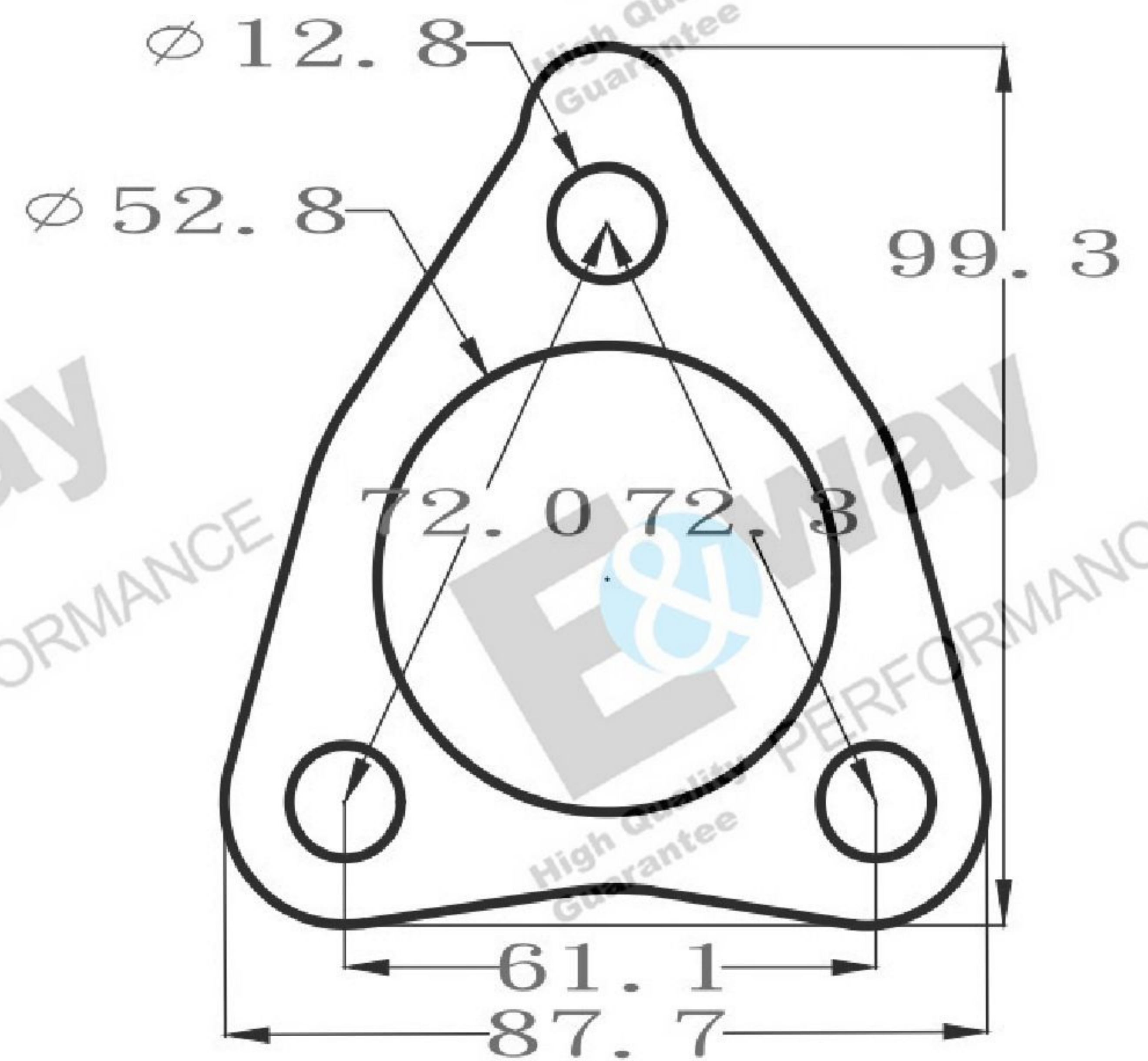
# 3-Bolt Exhaust Flange/Muffler/Pipe Gasket P17

P17



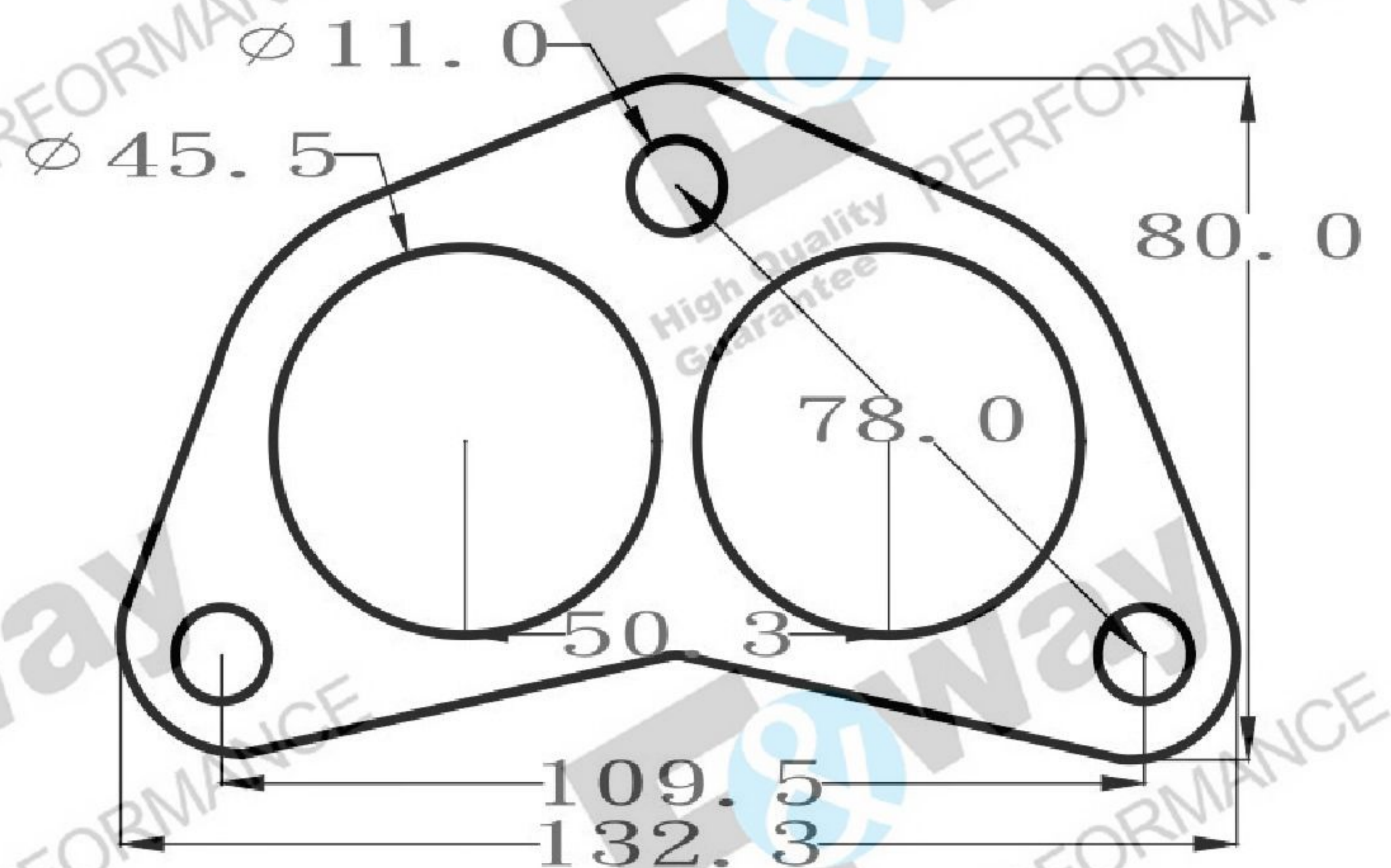
Inside Diameter(ID)=40.8/mm(1.60")  
 Bolt To Bolt=79.3/mm(3.12")100.2/mm(3.94")  
 Bolt Hole=13.5/mm(0.53")  
 Thickness=1.6~2.0/mm(0.06"~0.08")  
 Material:Steel(Mixed Asbestos Free)

**EP3-049**



Inside Diameter(ID)=52.8/mm(2.07")  
 Bolt To Bolt=72/mm(2.83")61.1/mm(2.41")  
 Bolt Hole=12.8/mm(0.50")  
 Thickness=1.6~2.0/mm(0.06"~0.08")  
 Material:Steel(Mixed Asbestos Free)

**EP3-050**



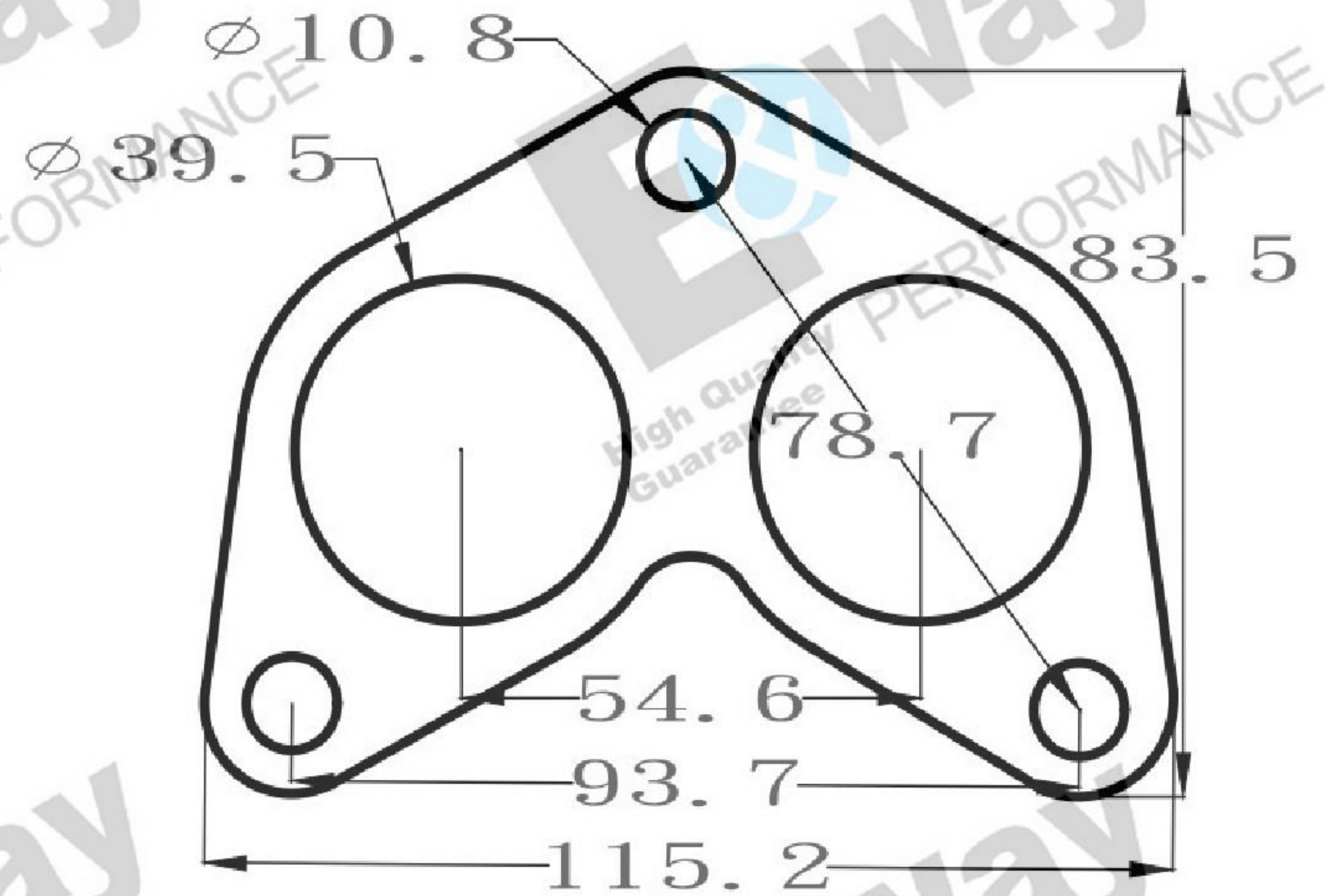
Inside Diameter(ID)=45.5/mm(1.79")  
 Bolt To Bolt=78/mm(3.07")109.5/mm(4.31")  
 Bolt Hole=11/mm(0.43")  
 Thickness=1.6~2.0/mm(0.06"~0.08")  
 Material:Steel(Mixed Asbestos Free)

**EP3-051**



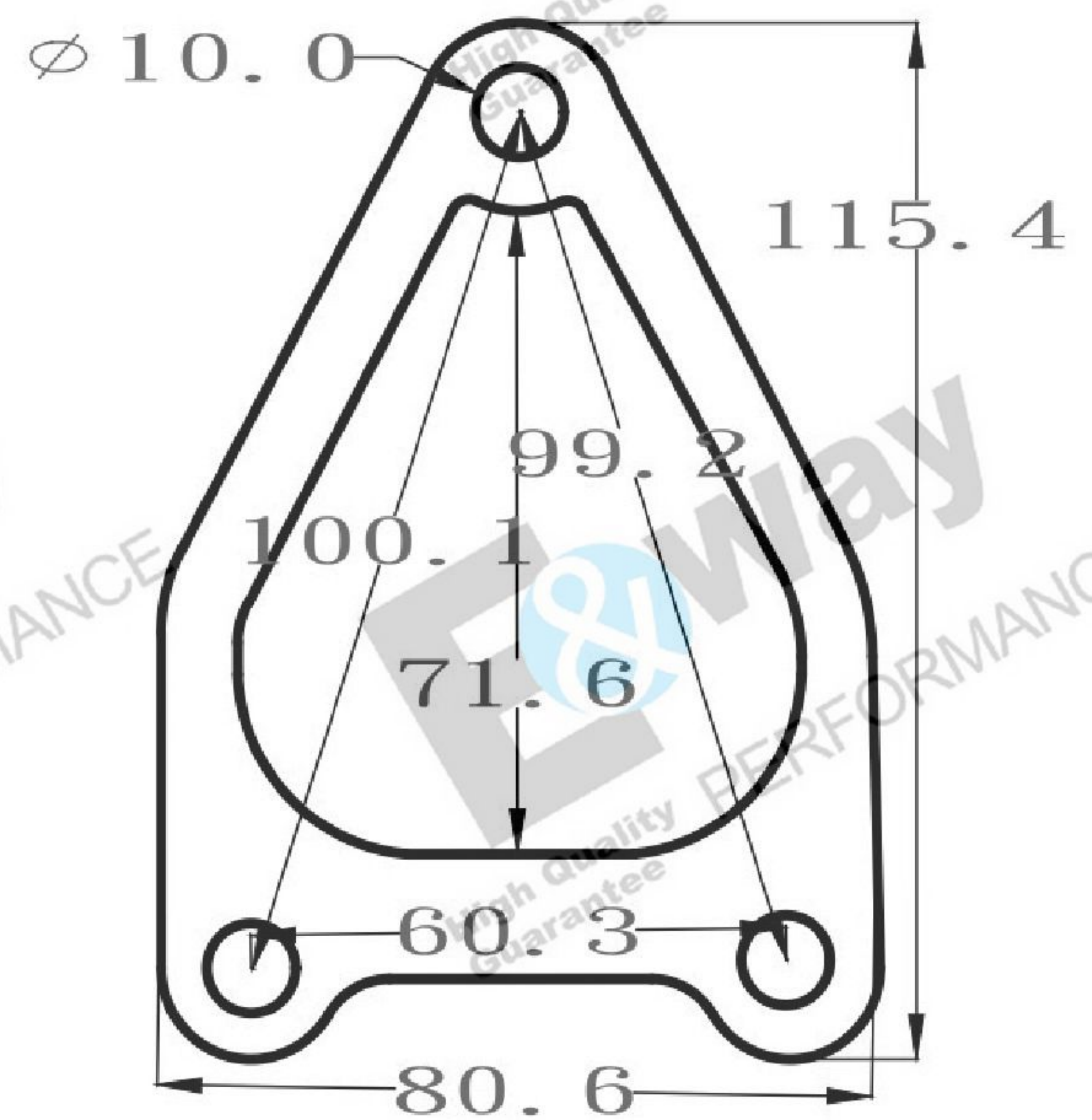
# 3-Bolt Exhaust Flange/Muffler/Pipe Gasket P18

P18



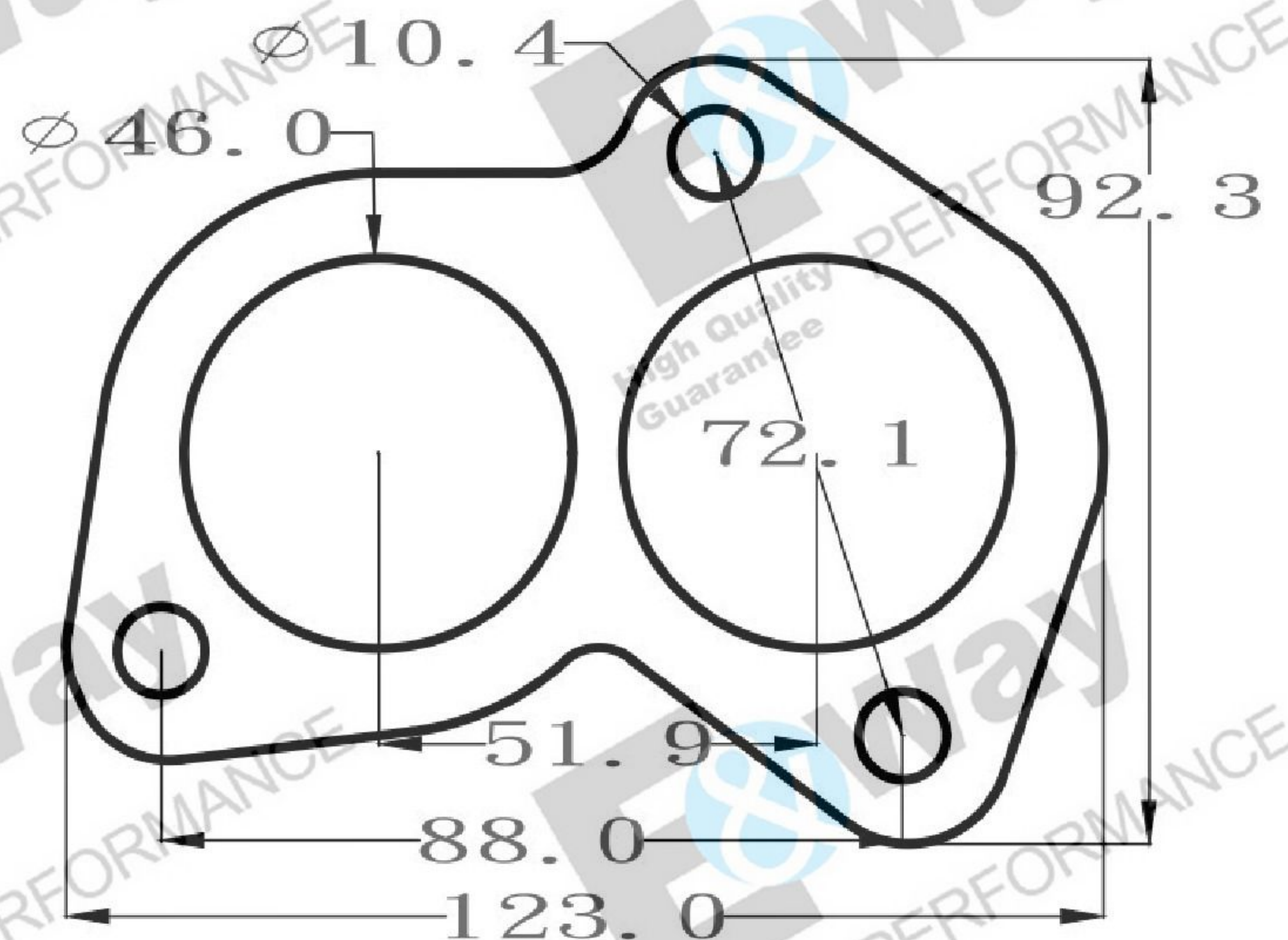
Inside Diameter(ID)=39.5/mm(1.55")  
 Bolt To Bolt=78.7/mm(3.10")93.7/mm(3.69")  
 Bolt Hole=10.8/mm(0.42")  
 Thickness=1.6~2.0/mm(0.06"~0.08")  
 Material:Steel(Mixed Asbestos Free)

**EP3-052**



Inside Hole=71.6/mm(2.81")  
 Bolt To Bolt=60.3/mm(2.37")100.1/mm(3.94")  
 Bolt Hole=10/mm(0.39")  
 Thickness=1.6~2.0/mm(0.06"~0.08")  
 Material:Steel(Mixed Asbestos Free)

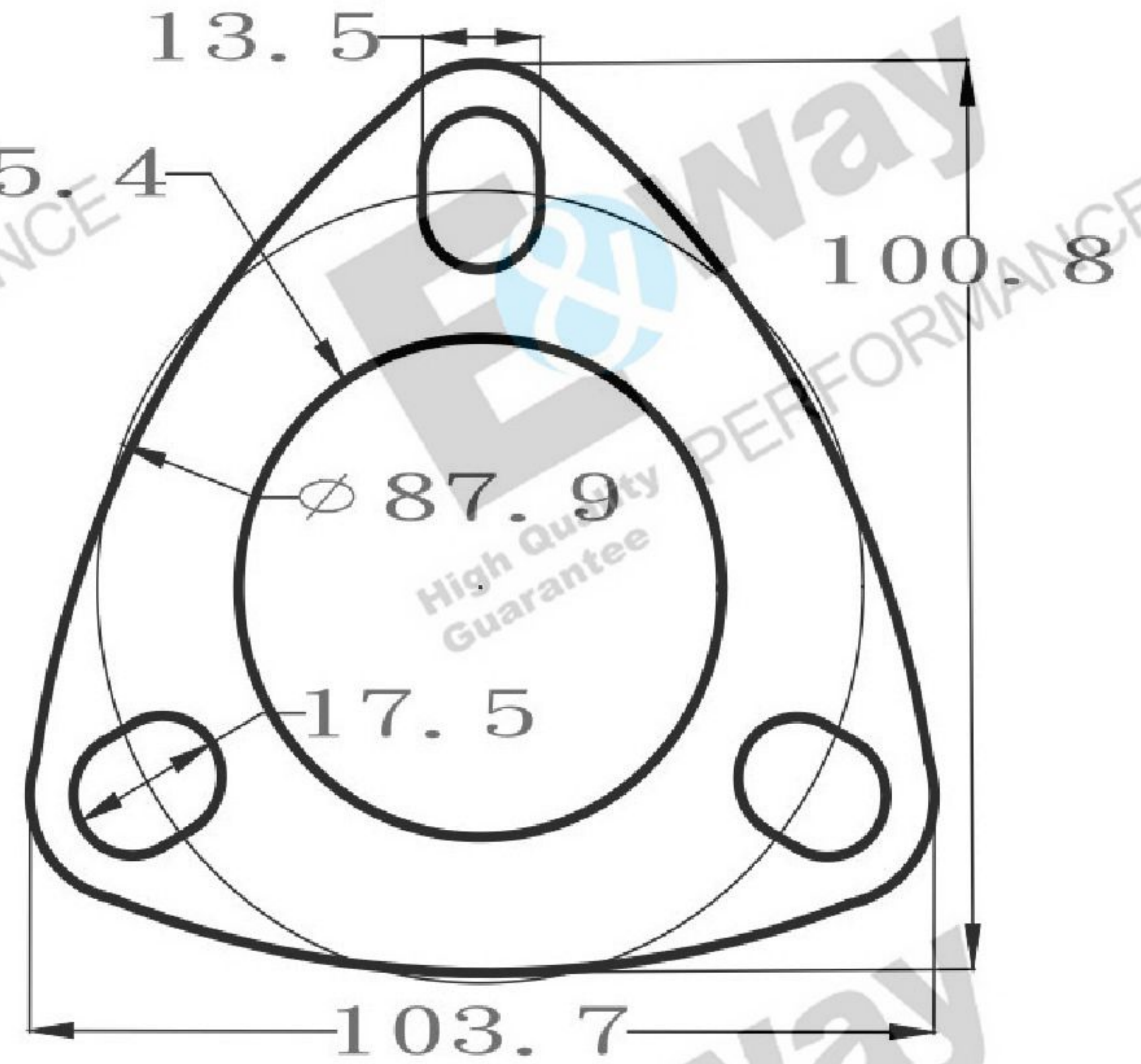
**EP3-053**



Inside Diameter(ID)=46/mm(1.81")  
 Bolt To Bolt=72.1/mm(2.84")88/mm(3.46")  
 Bolt Hole=10.4/mm(0.4")  
 Thickness=1.6~2.0/mm(0.06"~0.08")  
 Material:Steel(Mixed Asbestos Free)

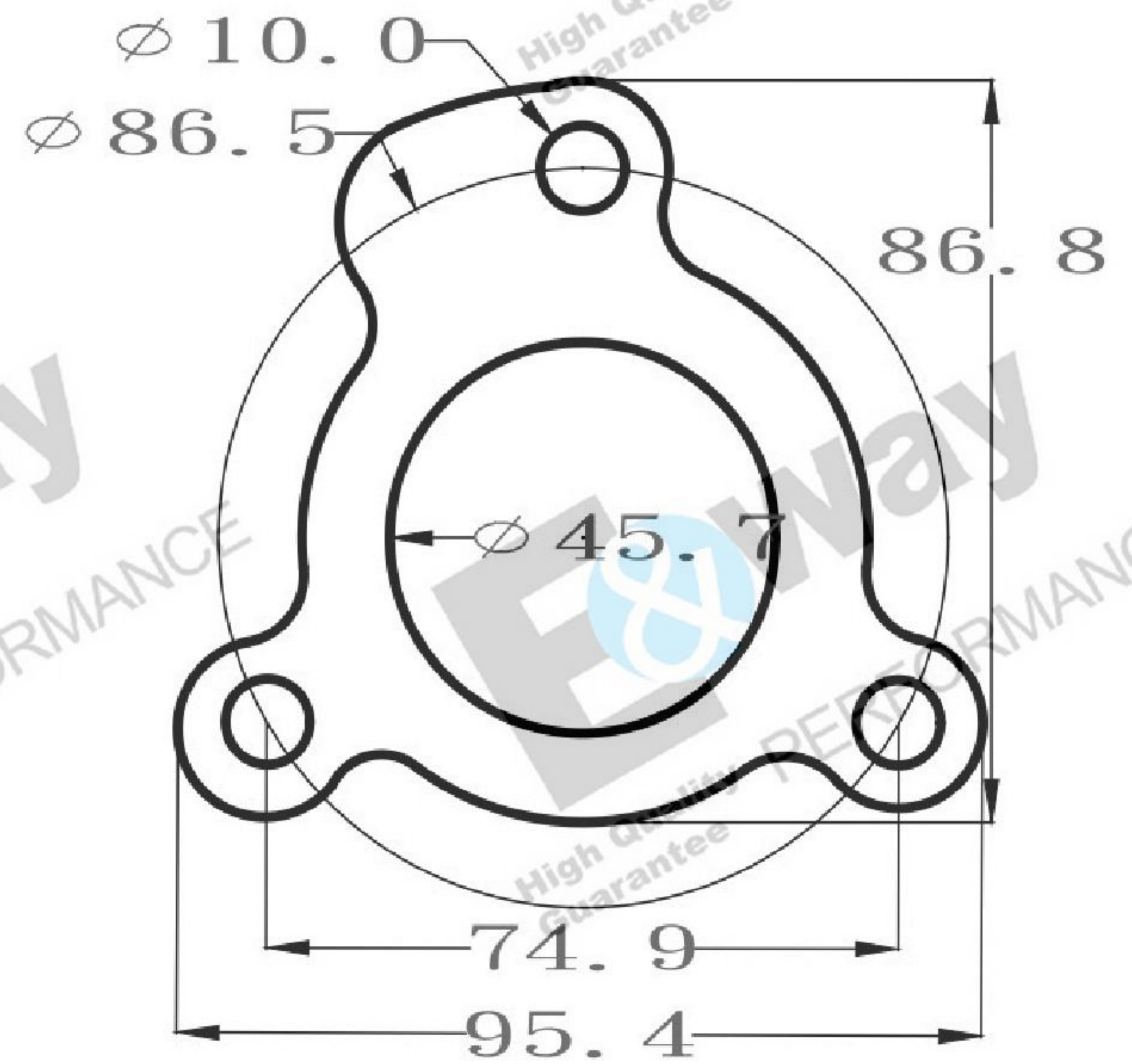
**EP3-054**





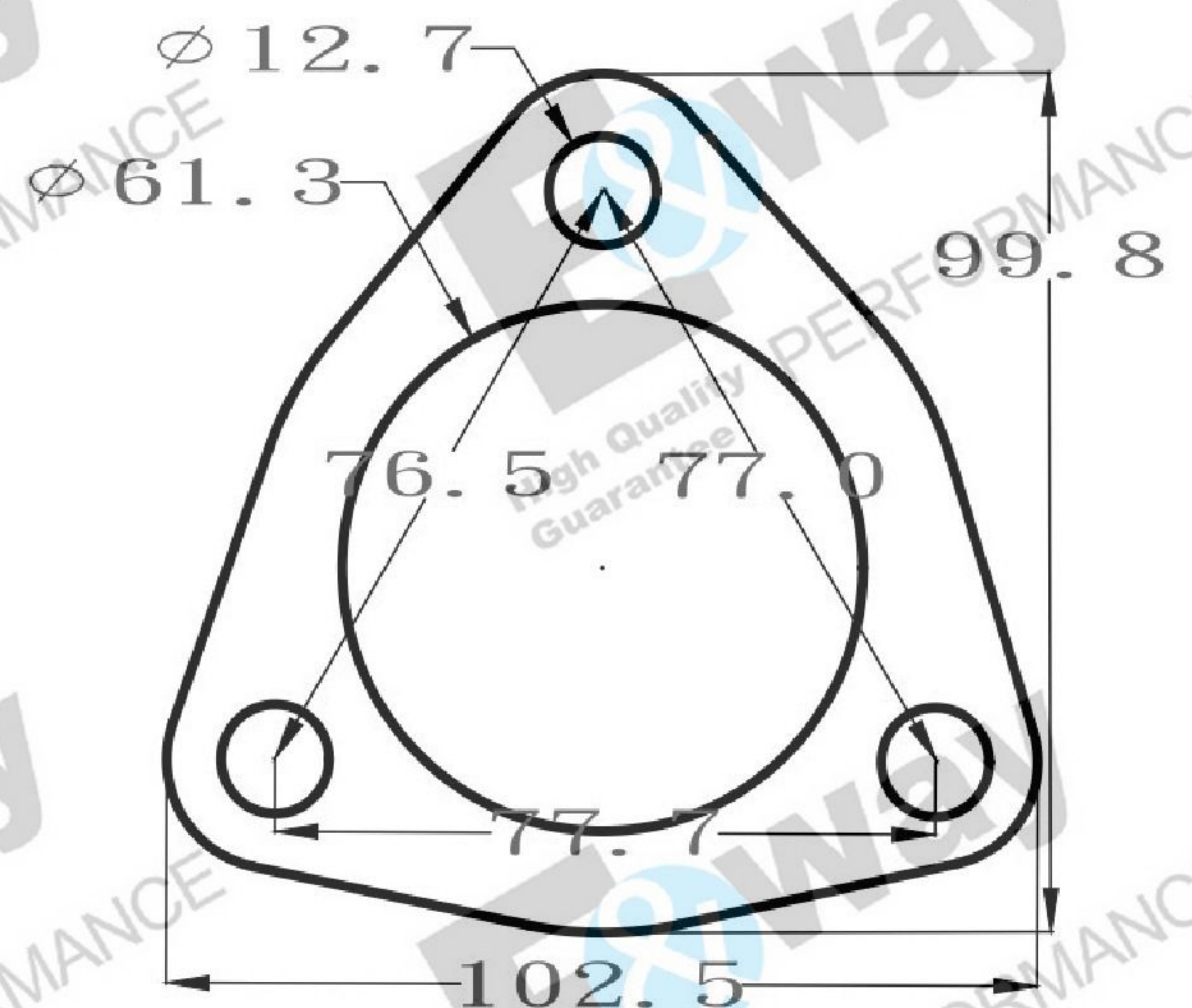
Inside Diameter(ID)=55.4/mm(2.18")  
 Bolt Circle=87.9/mm(3.46")  
 Bolt Hole=13.5/mm(0.53")  
 Thickness=1.6~2.0/mm(0.06"~0.08")  
 Material:Steel(Mixed Asbestos Free)+Stainless Steel(Hole)

**EP3-055**



Inside Diameter(ID)=45.7/mm(1.79")  
 Bolt Circle=86.5/mm(3.41")  
 Bolt Hole=10/mm(0.39")  
 Thickness=1.6~2.0/mm(0.06"~0.08")  
 Material:Steel(Mixed Asbestos Free)

**EP3-056**



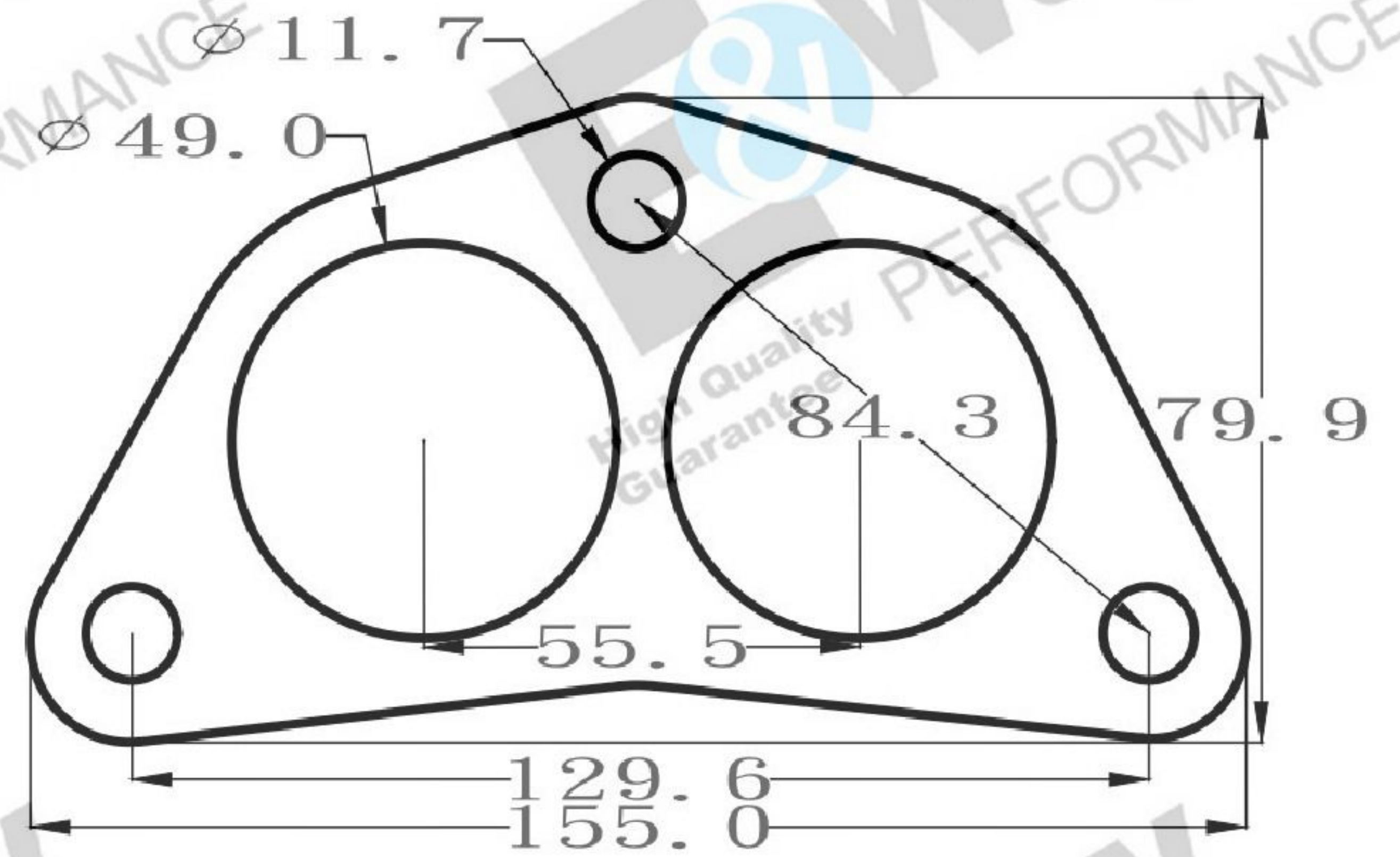
Inside Diameter(ID)=61.3/mm(2.41")  
 Bolt To Bolt=77.7/mm(3.06")76.5/mm(3.01")  
 Bolt Hole=12.7/mm(0.50")  
 Thickness=1.6~2.0/mm(0.06"~0.08")  
 Material:Steel+Graphite(Mixed Steel)+Steel+Stainless Steel(Hole)

**EP3-057**



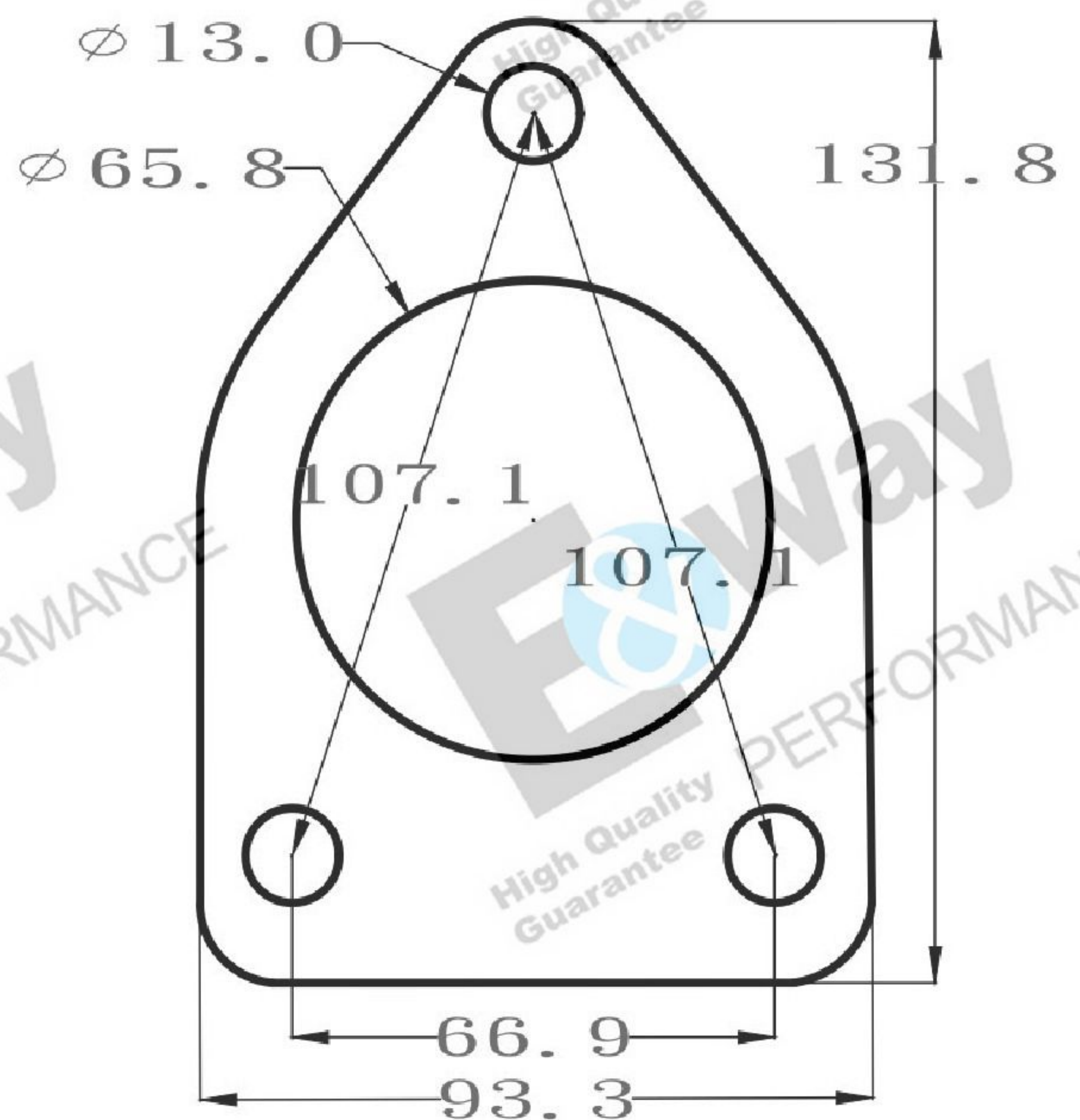
# 3-Bolt Exhaust Flange/Muffler/Pipe Gasket P20

P20



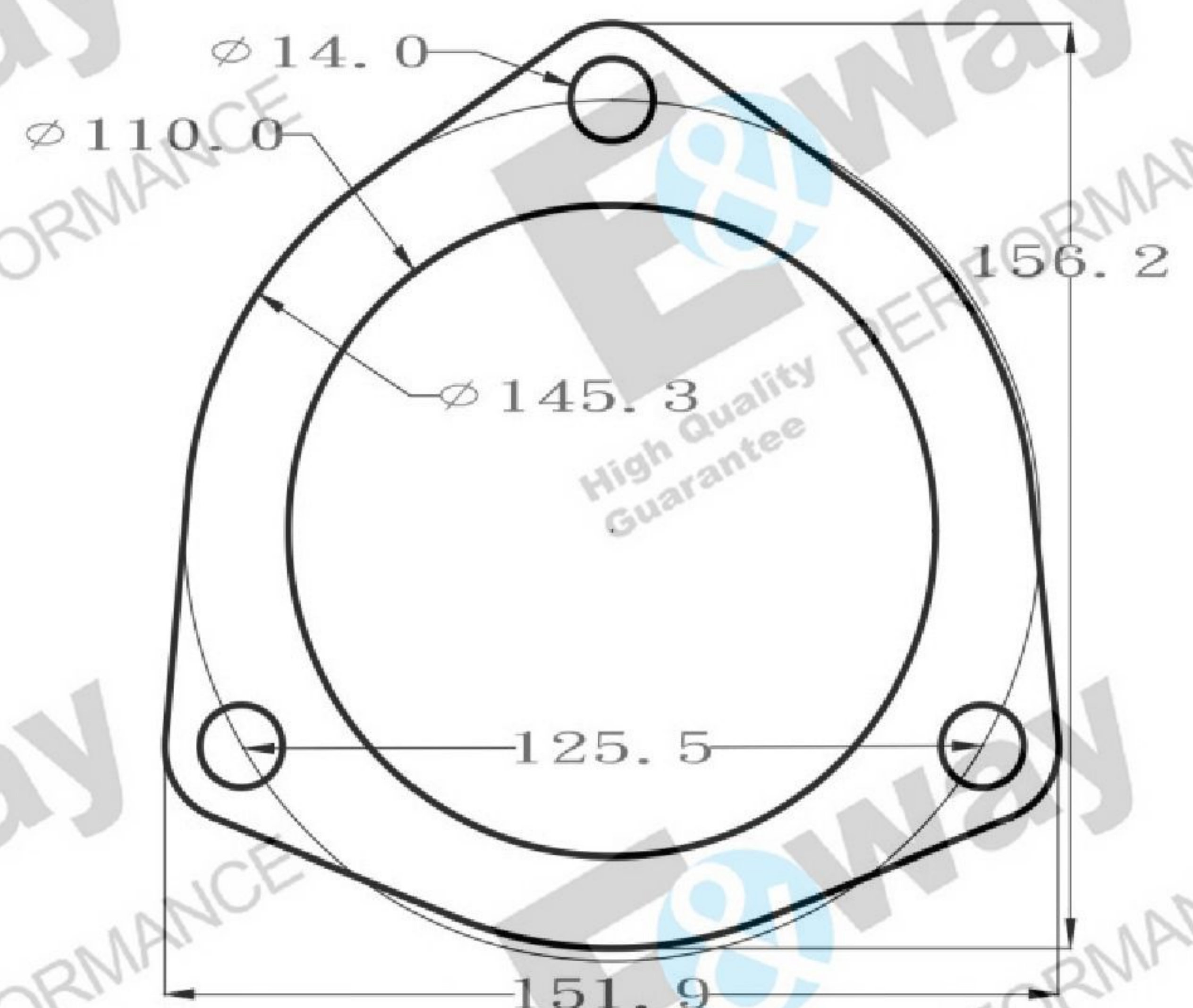
Inside Diameter(ID)=49/mm(1.92")  
 Bolt To Bolt=84.3/mm(3.32")129.6/mm(5.10")  
 Bolt Hole=11.7/mm(0.46")  
 Thickness=1.6~2.0/mm(0.06"~0.08")  
 Material:Steel(Mixed Asbestos Free)

**EP3-058**



Inside Diameter(ID)=65.8/mm(2.59")  
 Bolt To Bolt=66.9/mm(2.63")107.1/mm(4.22")  
 Bolt Hole=13/mm(0.51")  
 Thickness=1.6~2.0/mm(0.06"~0.08")  
 Material:Steel(Mixed Asbestos Free)

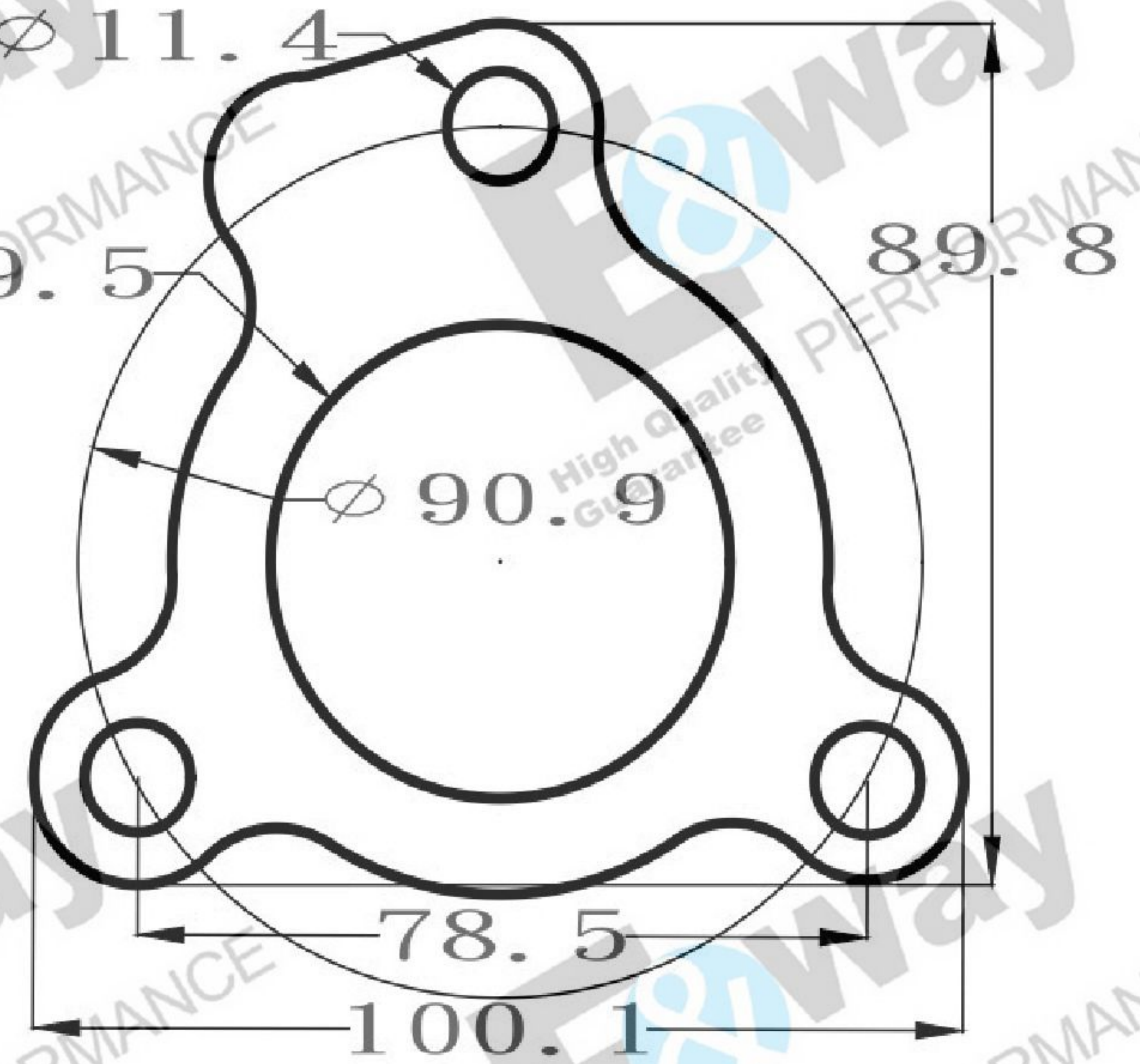
**EP3-059**



Inside Diameter(ID)=110/mm(4.33")  
 Bolt Circle=145.3/mm(5.72")  
 Bolt Hole=14/mm(0.55")  
 Thickness=1.6~2.0/mm(0.06"~0.08")  
 Material:Steel(Mixed Asbestos Free)+Stainless Steel(Hole)

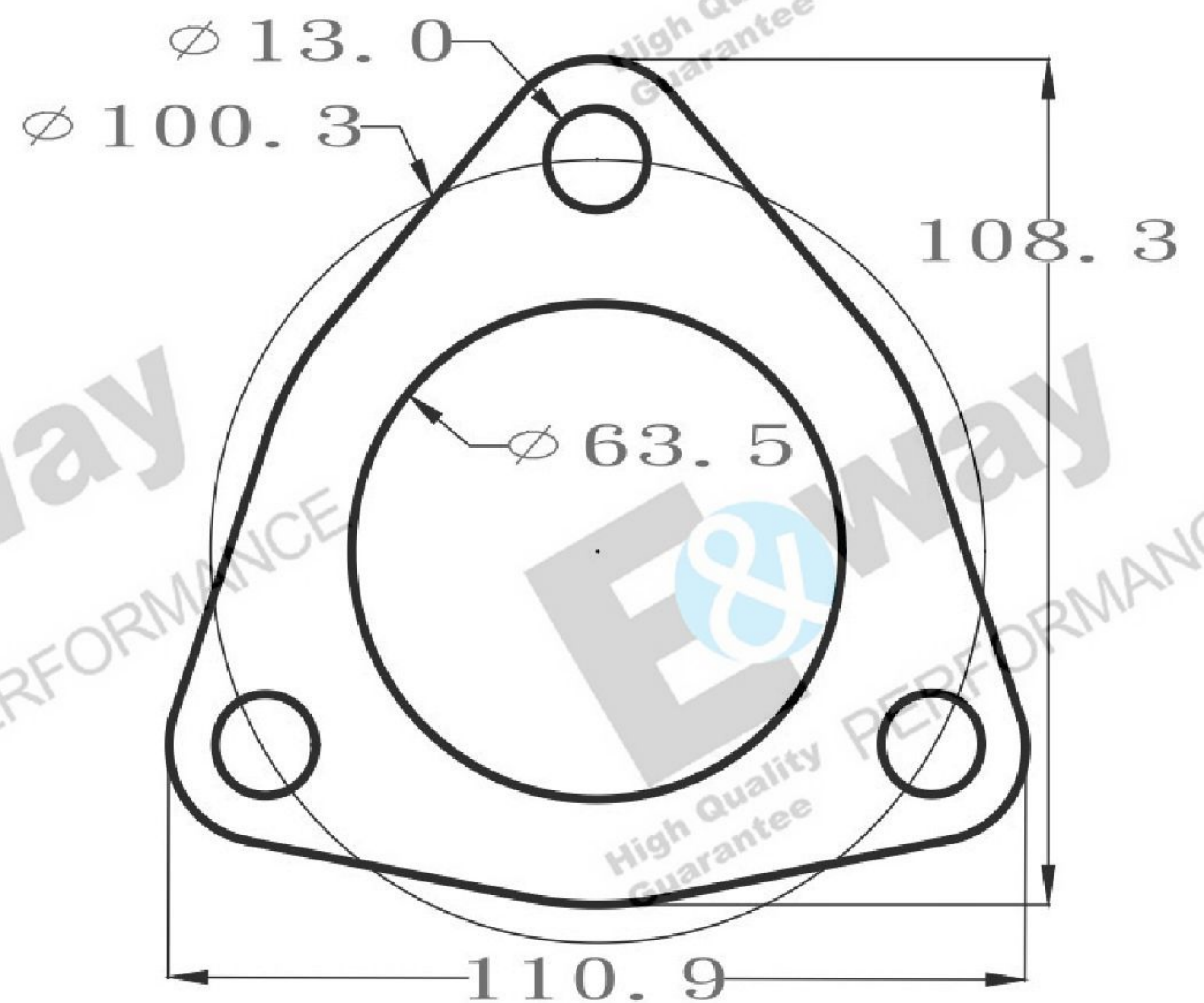
**EP3-060**





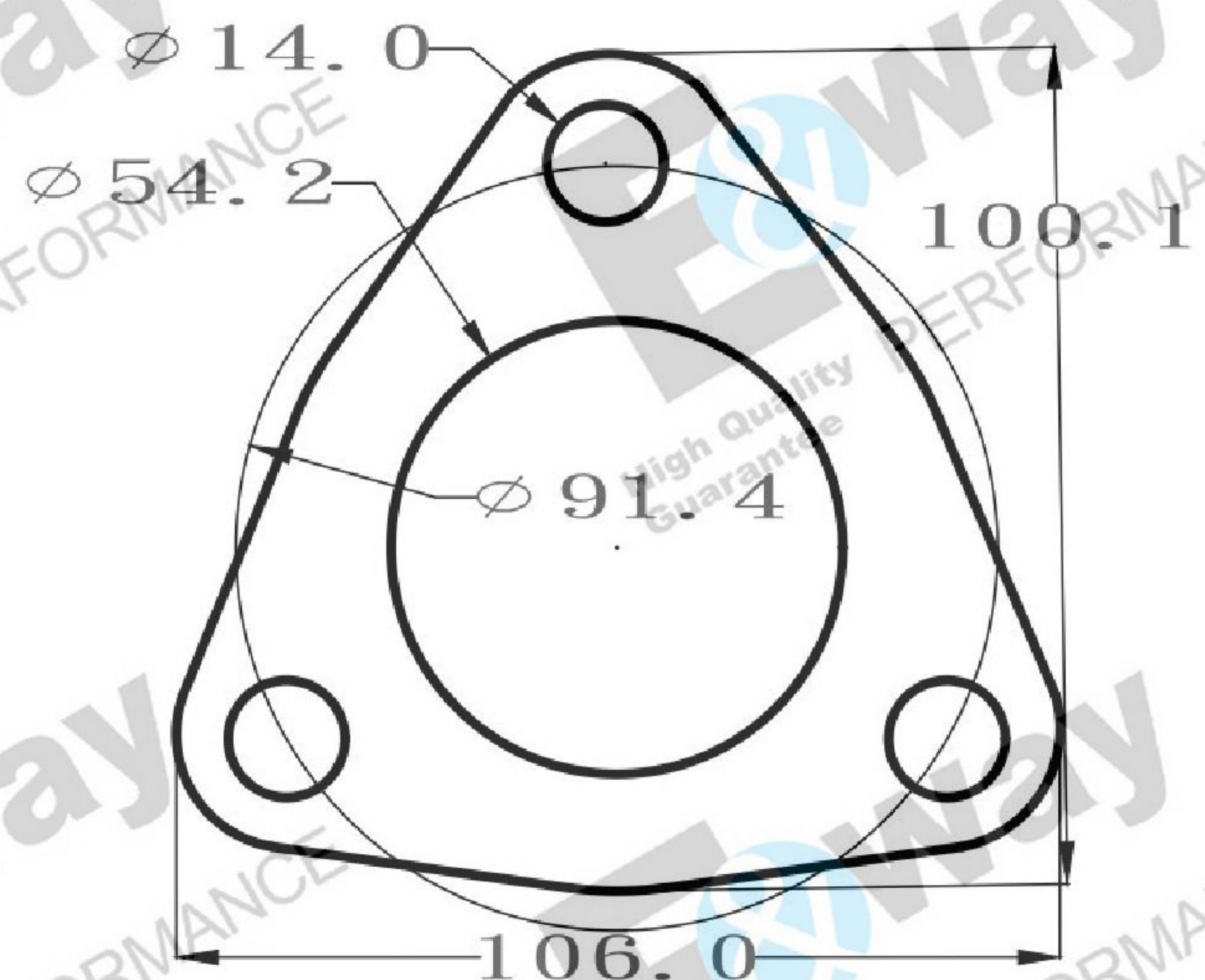
Inside Diameter(ID)=49.5/mm(19.4")  
 Bolt Circle=90.9/mm(3.58")  
 Bolt Hole=11.4/mm(0.44")  
 Thickness=1.6~2.0/mm(0.06"~0.08")  
 Material:Steel(Mixed Asbestos Free)

**EP3-061**



Inside Diameter(ID)=63.5/mm(2.50")  
 Bolt Circle=100.3/mm(3.95")  
 Bolt Hole=13/mm(0.51")  
 Thickness=1.6~2.0/mm(0.06"~0.08")  
 Material:Steel(Mixed Asbestos Free)

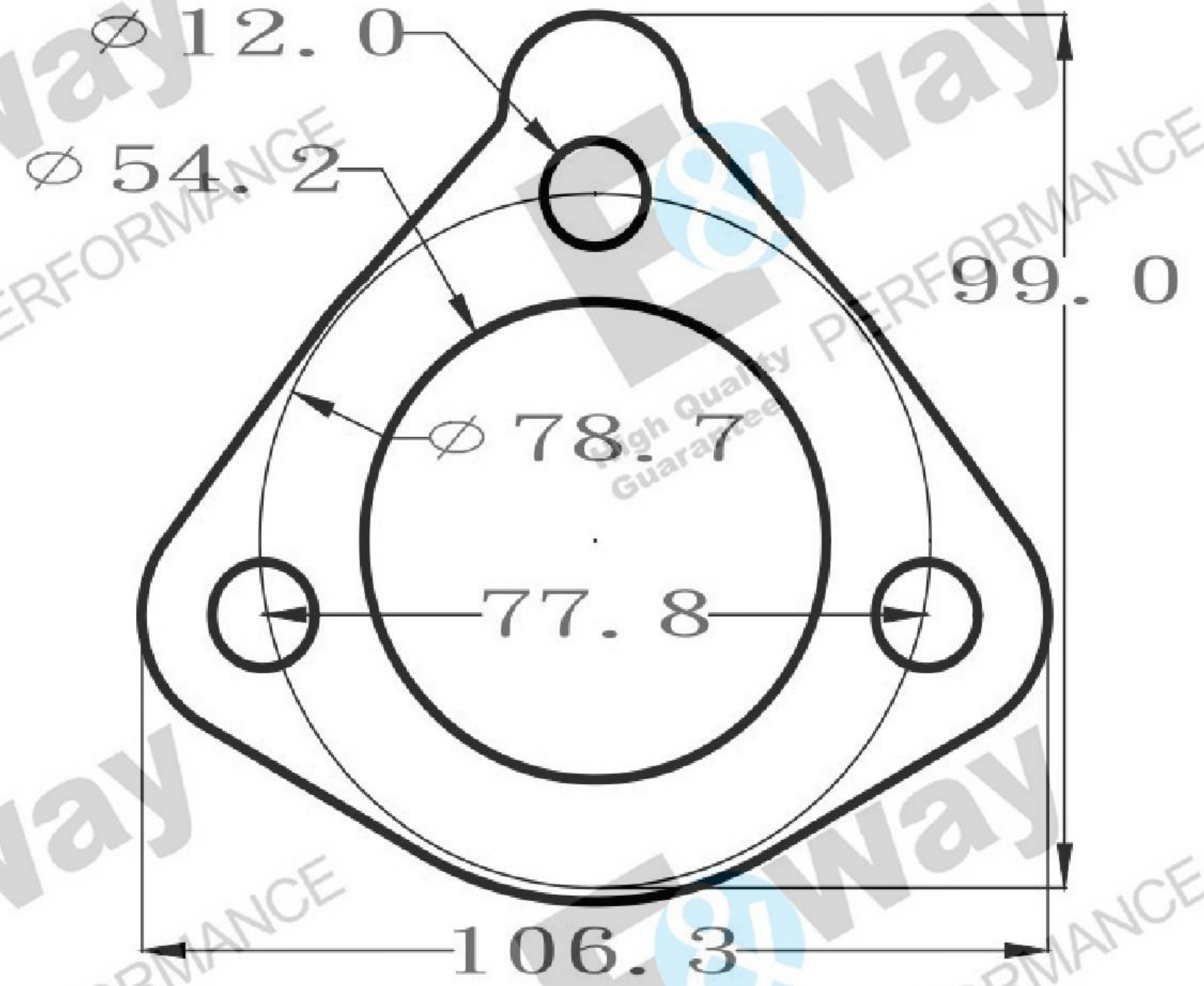
**EP3-062**



Inside Diameter(ID)=54.2/mm(2.13")  
 Bolt Circle=91.4/mm(3.59")  
 Bolt Hole=14/mm(0.55/mm)  
 Thickness=1.6~2.0/mm(0.06"~0.08")  
 Material:Steel(Mixed Asbestos Free)+Stainless Steel(Hole)

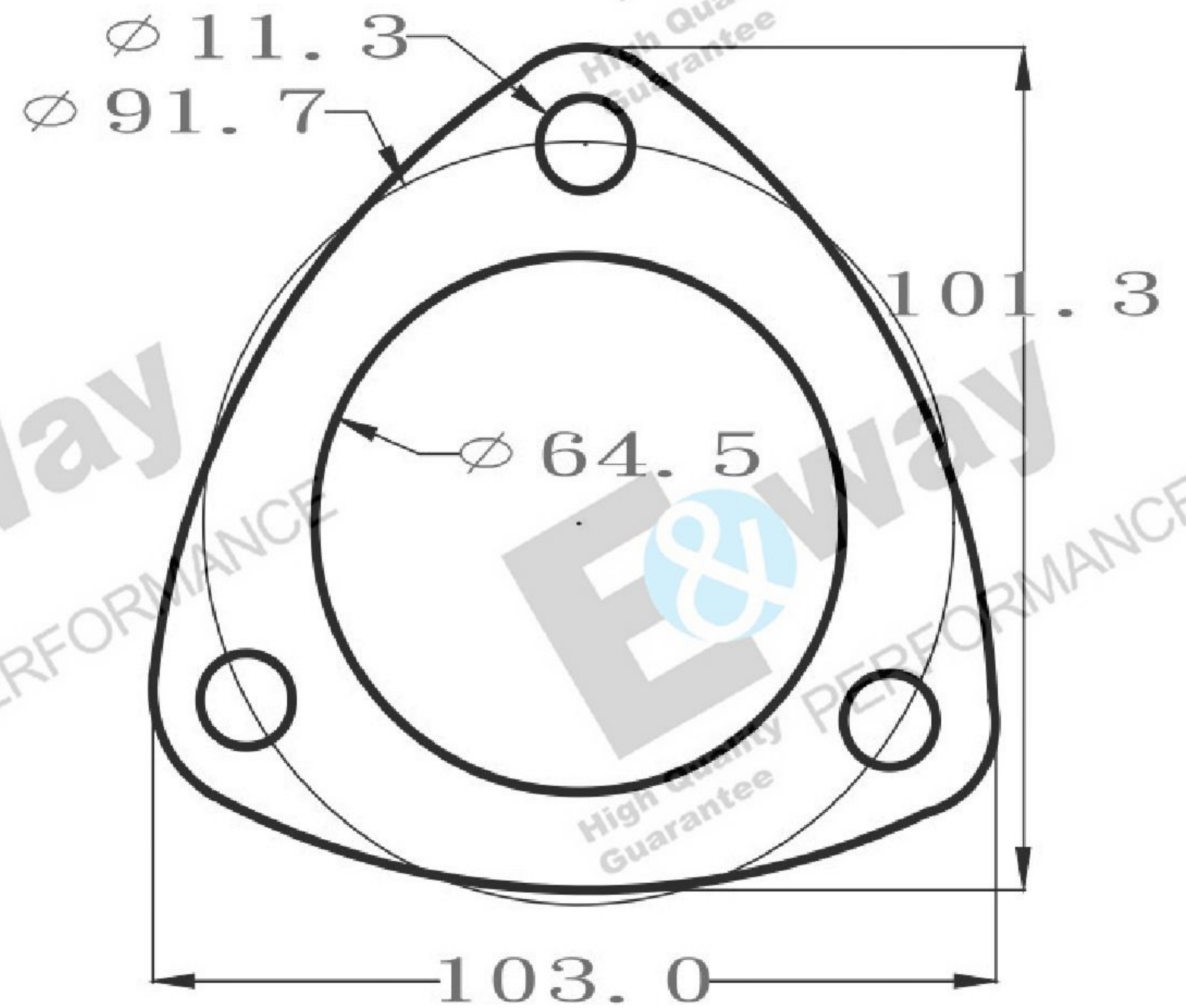
**EP3-063**





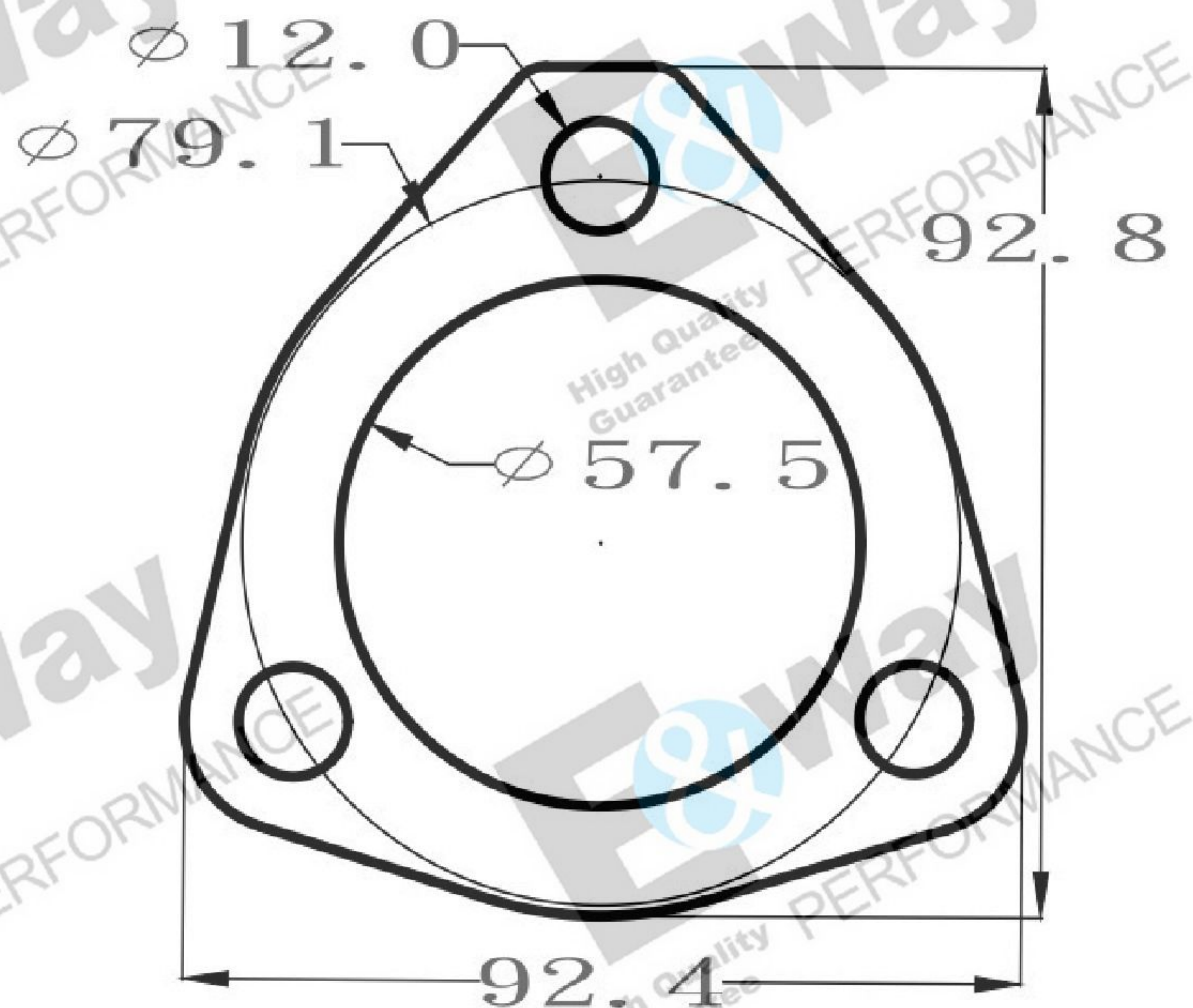
Inside Diameter(ID)=54.2/mm(2.13")  
 Bolt Circle=78.7/mm(3.10")  
 Bolt Hole=12/mm(0.47")  
 Thickness=1.6~2.0/mm(0.06"~0.08")  
 Material:Steel(Mixed Asbestos Free)

**EP3-064**



Inside Diameter(ID)=64.5/mm(2.53")  
 Bolt Circle=91.7/mm(3.61")  
 Bolt Hole=11.3/mm(0.44")  
 Thickness=1.6~2.0/mm(0.06"~0.08")  
 Material:Steel(Mixed Asbestos Free)

**EP3-065**



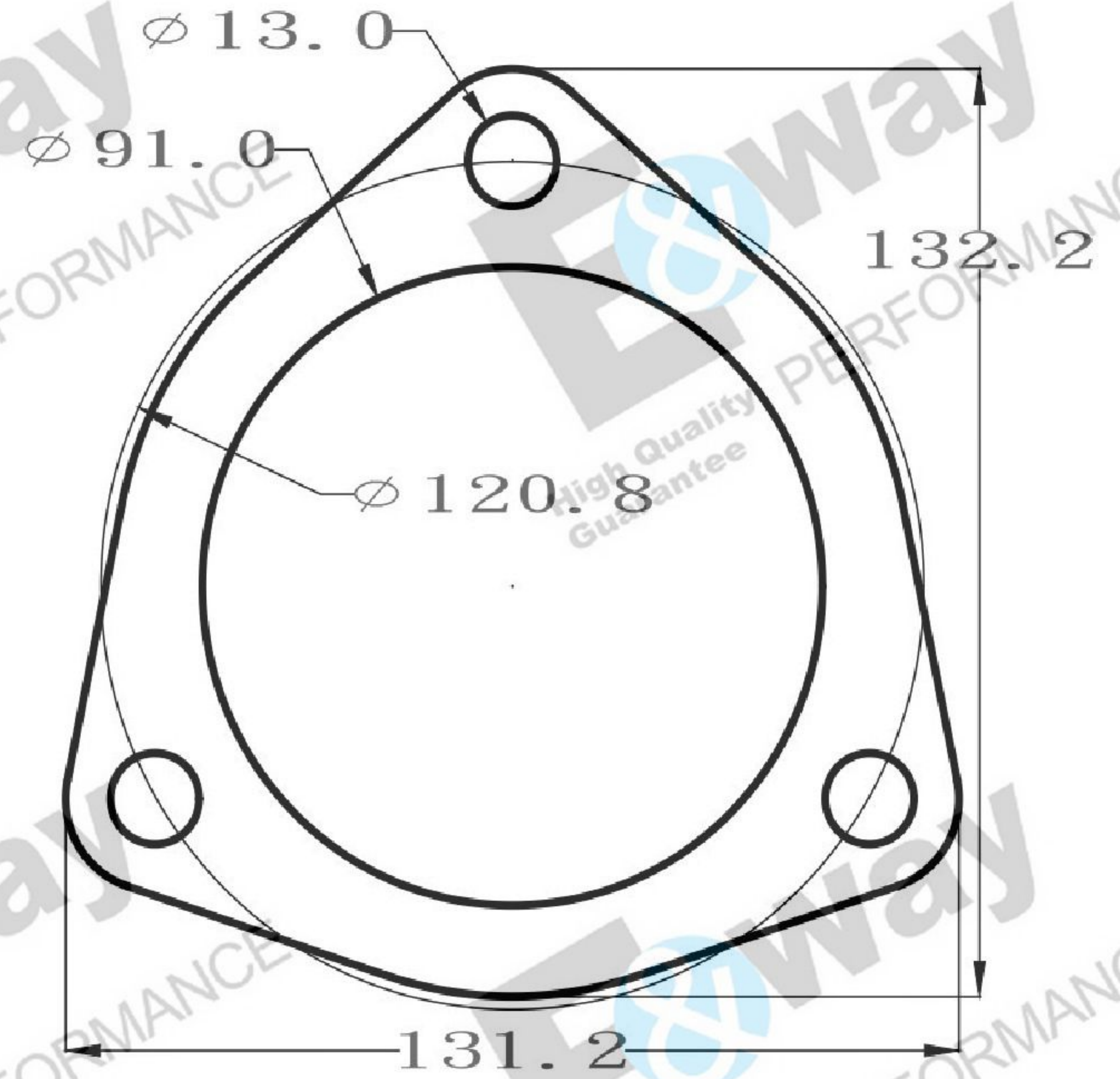
Inside Diameter(ID)=57.5/mm(2.26")  
 Bolt Circle=79.1/mm(3.11")  
 Bolt Hole=12/mm(0.47")  
 Thickness=1.6~2.0/mm(0.06"~0.08")  
 Material:Steel(Mixed Asbestos Free)

**EP3-066**



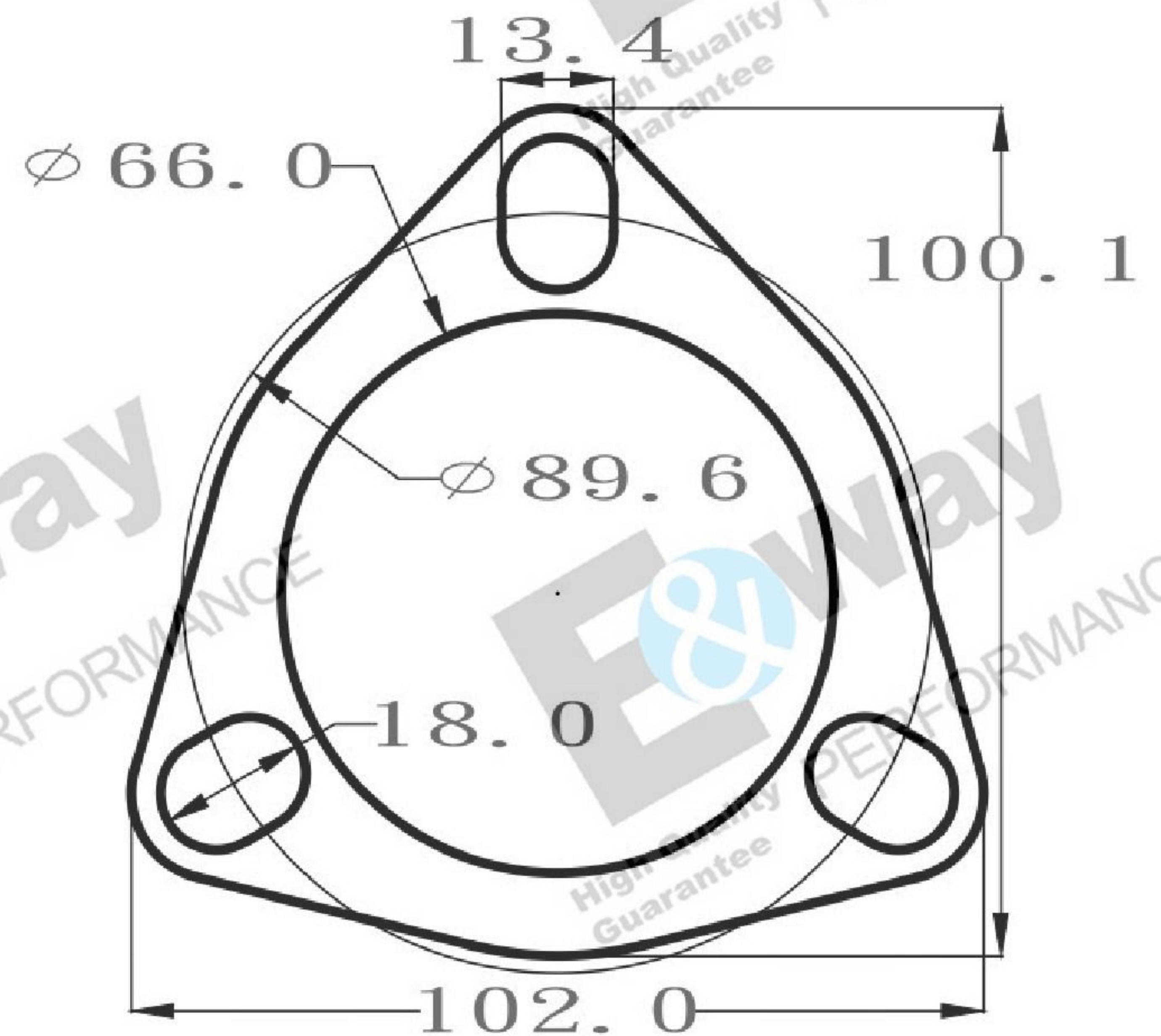
# 3-Bolt Exhaust Flange/Muffler/Pipe Gasket P23

P23



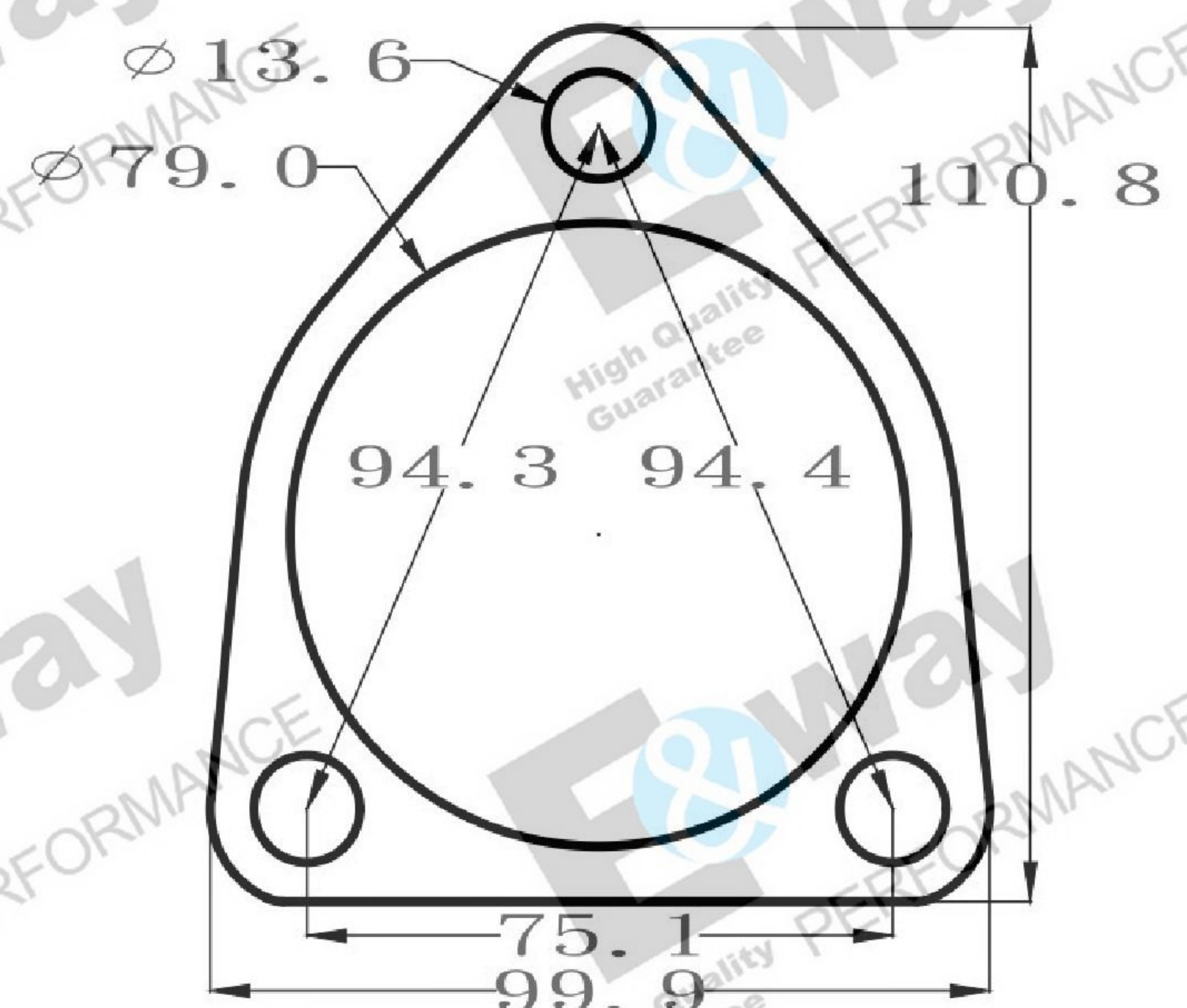
Inside Diameter(ID)=91/mm(3.58")  
 Bolt Circle=120.8/mm(4.76")  
 Bolt Hole=13/mm(0.51")  
 Thickness=1.5/mm(0.06")  
 Material:Steel(3-Layer)

**EP3-067**



Inside Diameter(ID)=66/mm(2.60")  
 Bolt Circle=89.6/mm(3.52")  
 Bolt Hole=13.4/mm(0.52")  
 Thickness=1.6~2.0/mm(0.06"~0.08")  
 Material:Graphite(Mixed Steel)

**EP3-068**



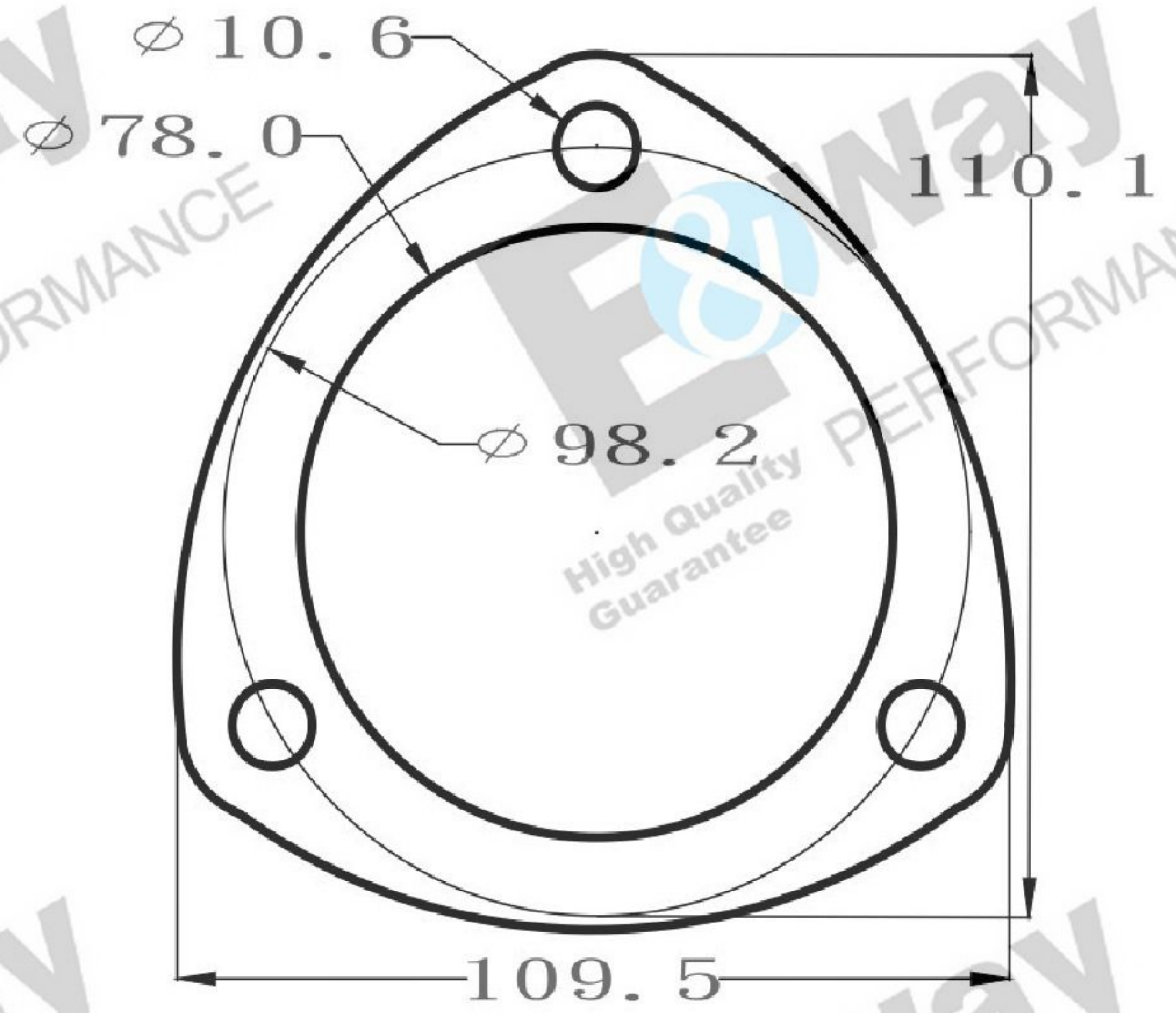
Inside Diameter(ID)=79/mm(3.11")  
 Bolt To Bolt=75.1/mm(2.96")94.3/mm(3.71")  
 Bolt Hole=13.6/mm(0.53")  
 Thickness=1.6~2.0/mm(0.06"~0.08")  
 Material:Graphite(Mixed Steel)

**EP3-069**



# 3-Bolt Exhaust Flange/Muffler/Pipe Gasket P24

P24



Inside Diameter(ID)=78/mm(3.07")

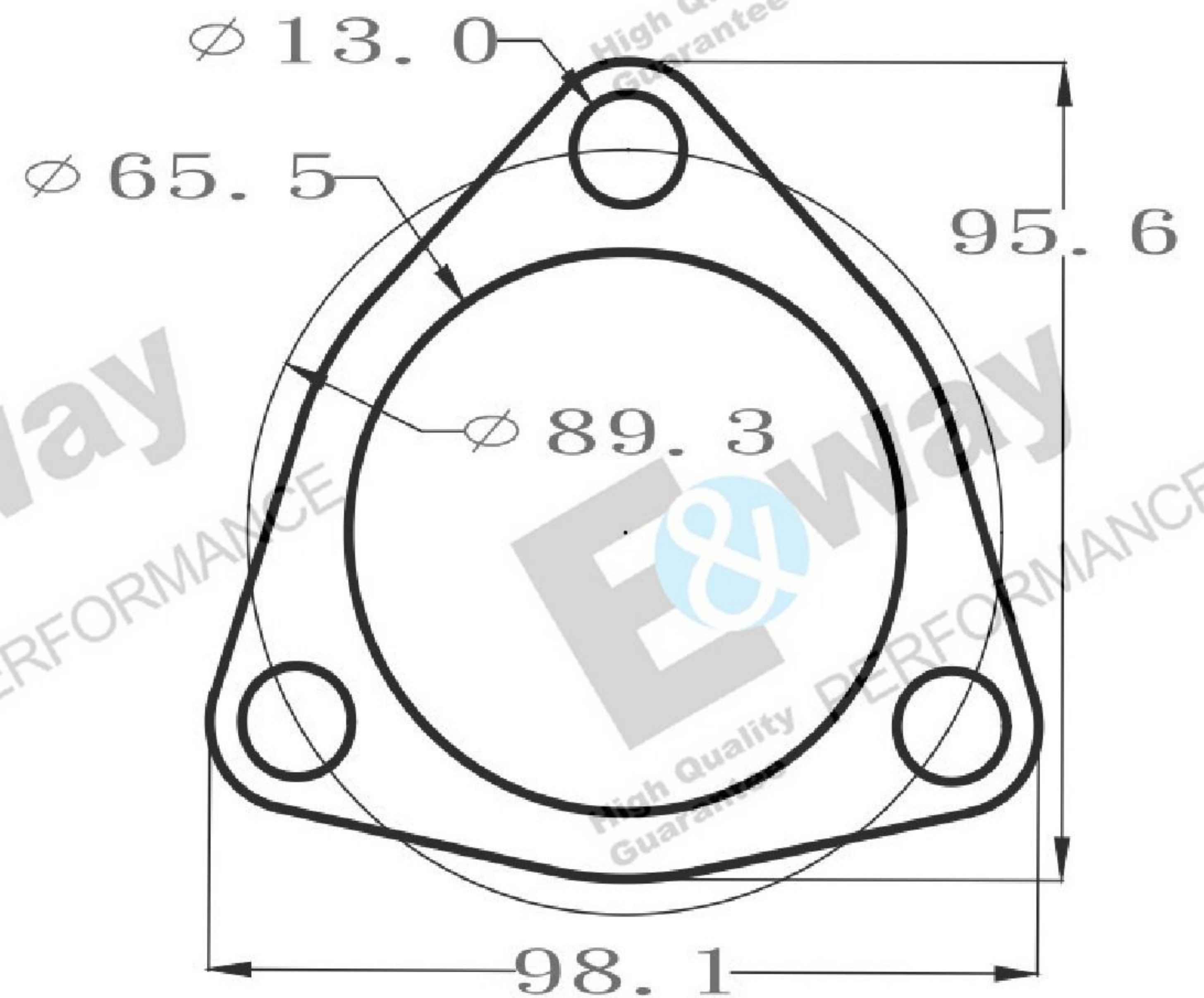
Bolt Circle=98.2/mm(3.86")

Bolt Hole=10.6/mm(0.42")

Thickness=1.6~2.0/mm(0.06"~0.08")

Material:Steel(Mixed Asbestos Free)+Stainless Steel(Hole)

**EP3-070**



Inside Diameter(ID)=65.5/mm(2.58")

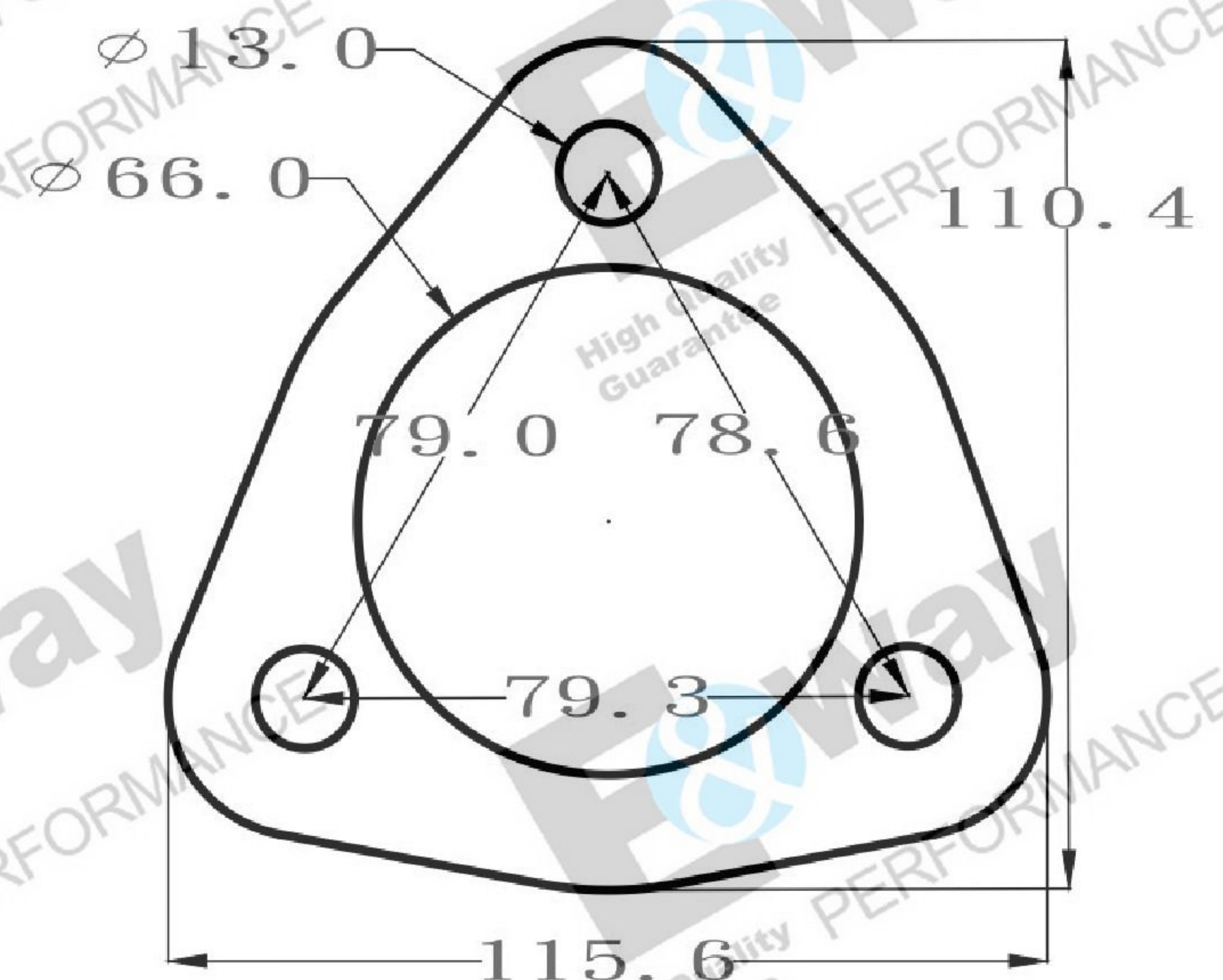
Bolt Circle=89.3/mm(3.52")

Bolt Hole=13/mm(0.51")

Thickness=1.6~2.0/mm(0.06"~0.08")

Material:Graphite(Mixed Steel)

**EP3-071**



Inside Diameter(ID)=66/mm(2.60")

Bolt To Bolt=79.3/mm(3.12")78.6/mm(3.09")

Bolt Hole=13/mm(0.51")

Thickness=1.6~2.0/mm(0.06"~0.08")

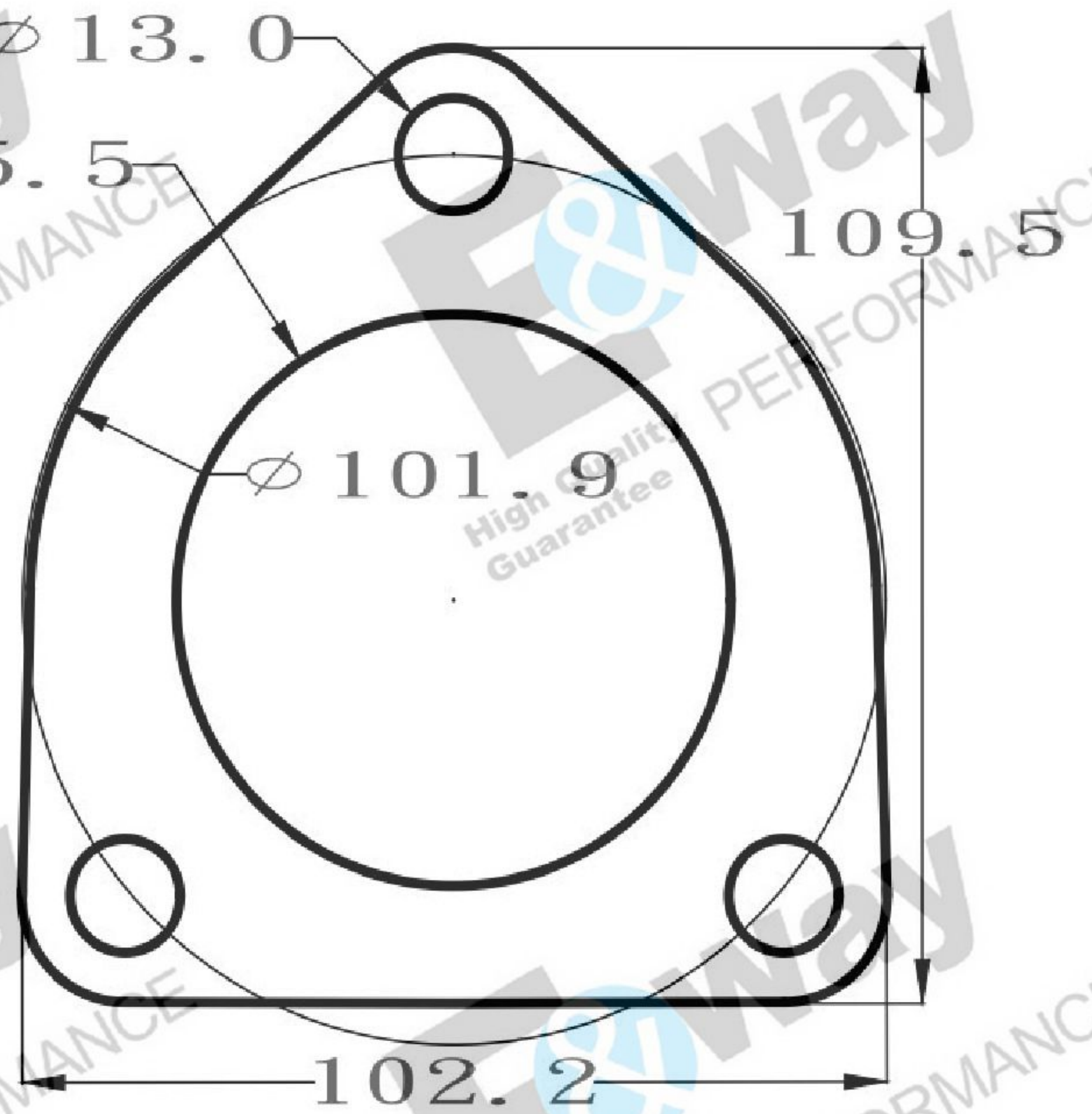
Material:Graphite(Mixed Steel)

**EP3-072**



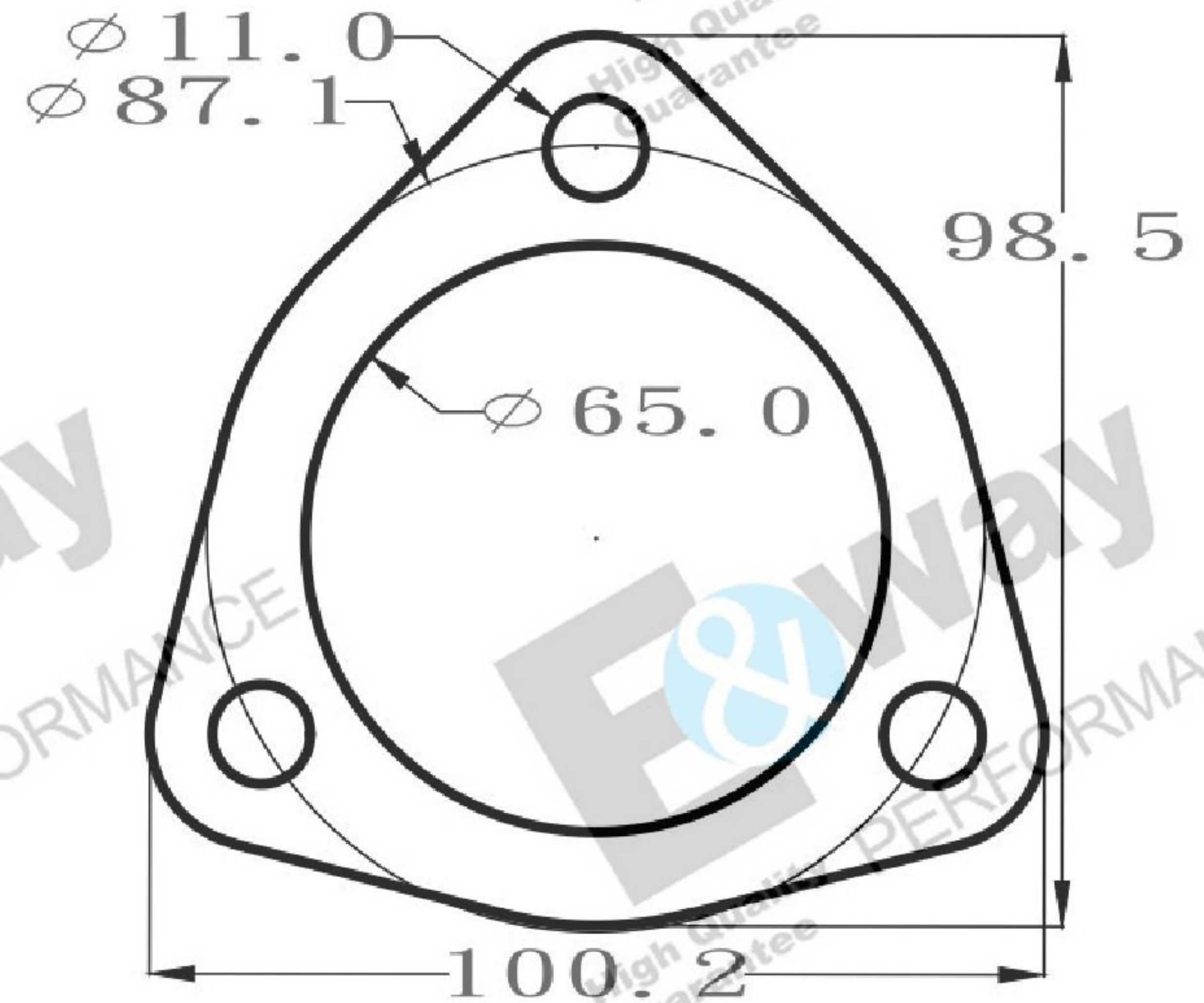
# 3-Bolt Exhaust Flange/Muffler/Pipe Gasket P25

P25



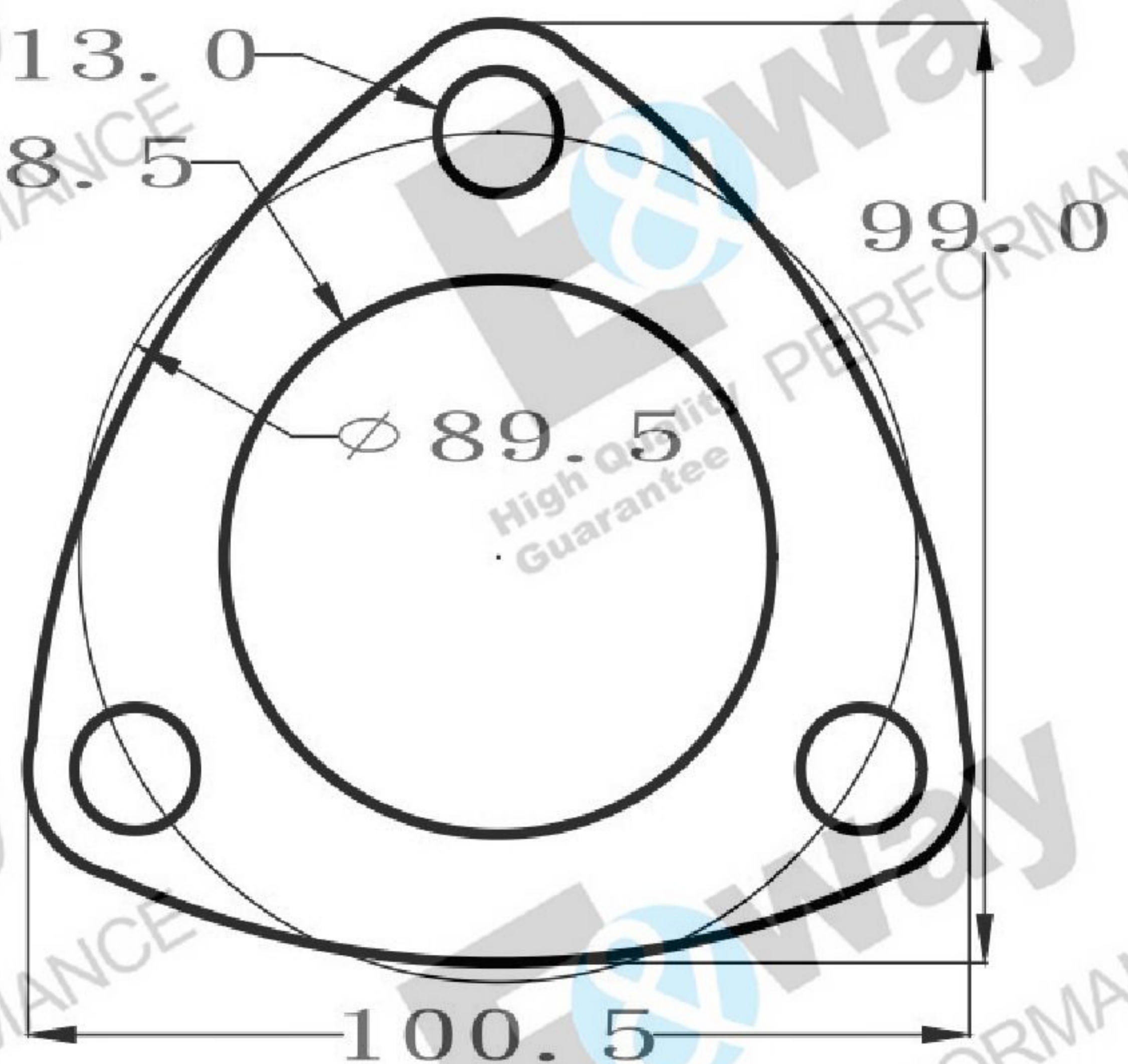
Inside Diameter(ID)=65.5/mm(2.58")  
 Bolt Circle=101.9/mm(4.01")  
 Bolt Hole=13/mm(0.51")  
 Thickness=1.6~2.0/mm(0.06"~0.08")  
 Material:Graphite(Mixed Steel)

**EP3-073**



Inside Diameter(ID)=65/mm(2.56")  
 Bolt Circle=87.1mm(3.43")  
 Bolt Hole=11/mm(0.43")  
 Thickness=1.6~2.0/mm(0.06"~0.08")  
 Material:Steel(Mixed Asbestos Free)+Stainless Steel(Hole)

**EP3-074**



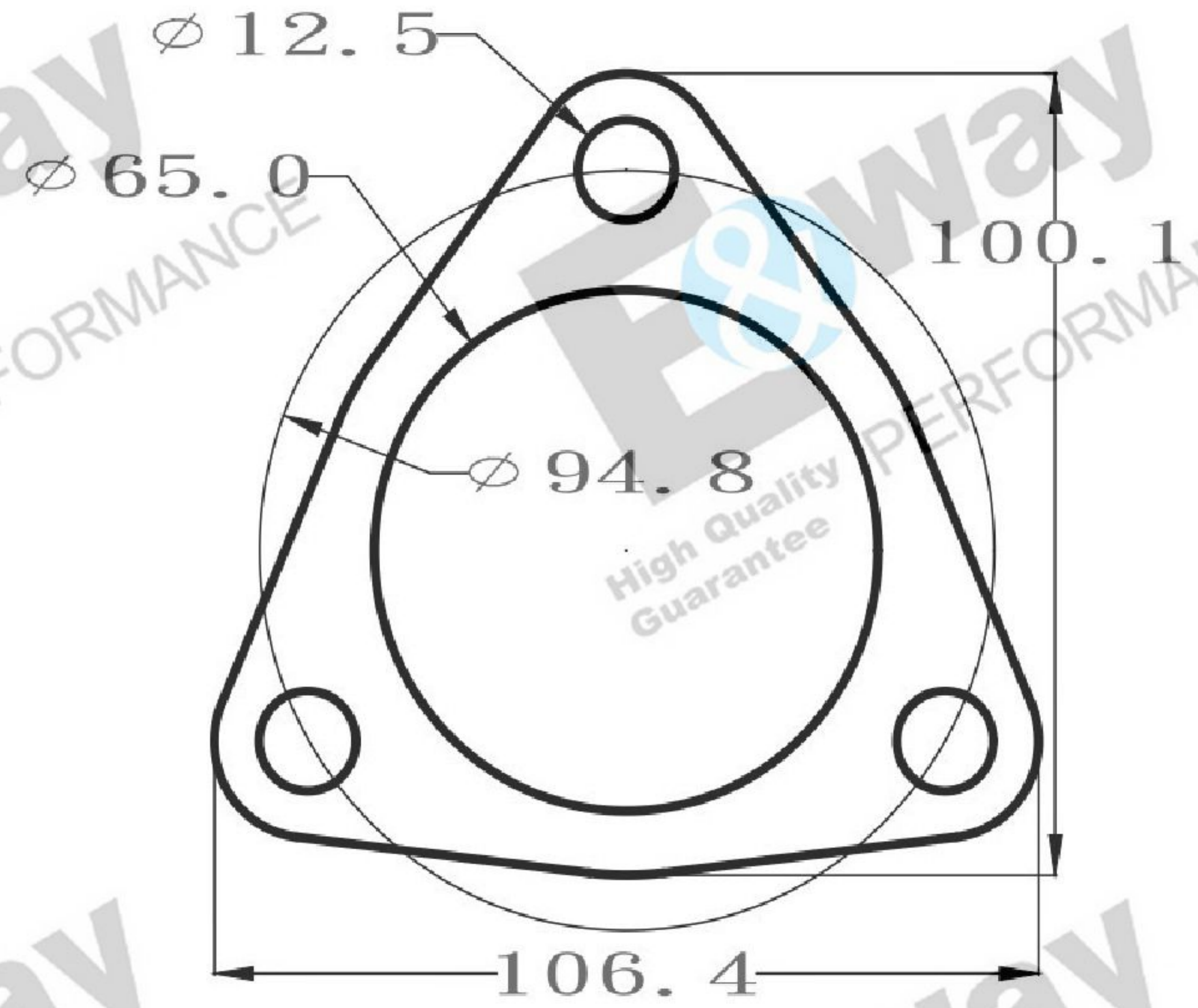
Inside Diameter(ID)=58.5/mm(2.30")  
 Bolt Circle=89.5/mm(3.52")  
 Bolt Hole=13/mm(0.51")  
 Thickness=1.6~2.0/mm(0.06"~0.08")  
 Material:Steel(Mixed Asbestos Free)+Stainless Steel(Hole)

**EP3-075**



# 3-Bolt Exhaust Flange/Muffler/Pipe Gasket P26

P26



Inside Diameter(ID)=65/mm(2.55")

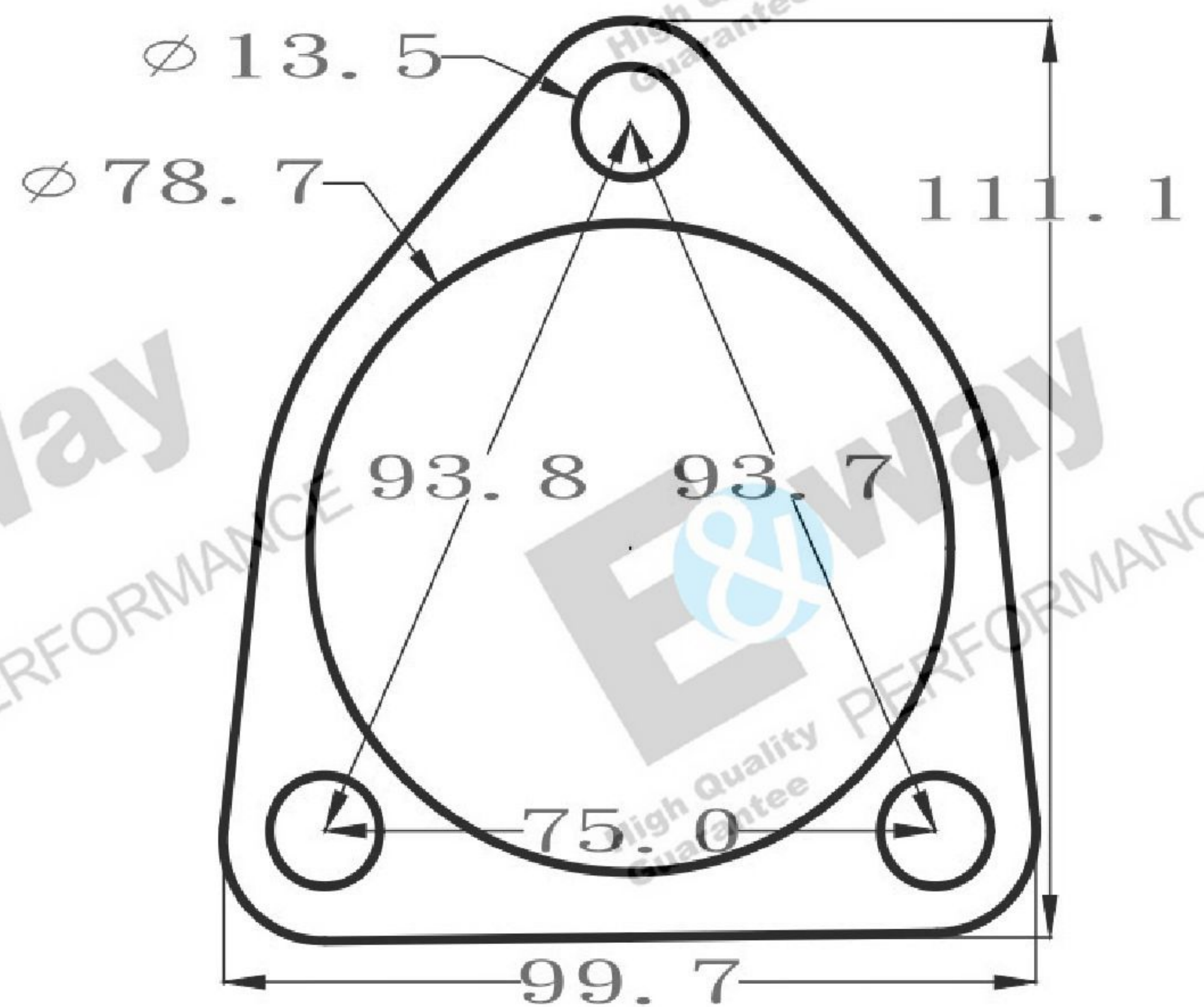
Bolt Circle=94.8/mm(3.73")

Bolt Hole=12.5/mm(0.49")

Thickness=1.6~2.0/mm(0.06"~0.08")

Material:Steel(Mixed Asbestos Free)+Stainless Steel(Hole)

**EP3-076**



Inside Diameter(ID)=78.7/mm(3.10")

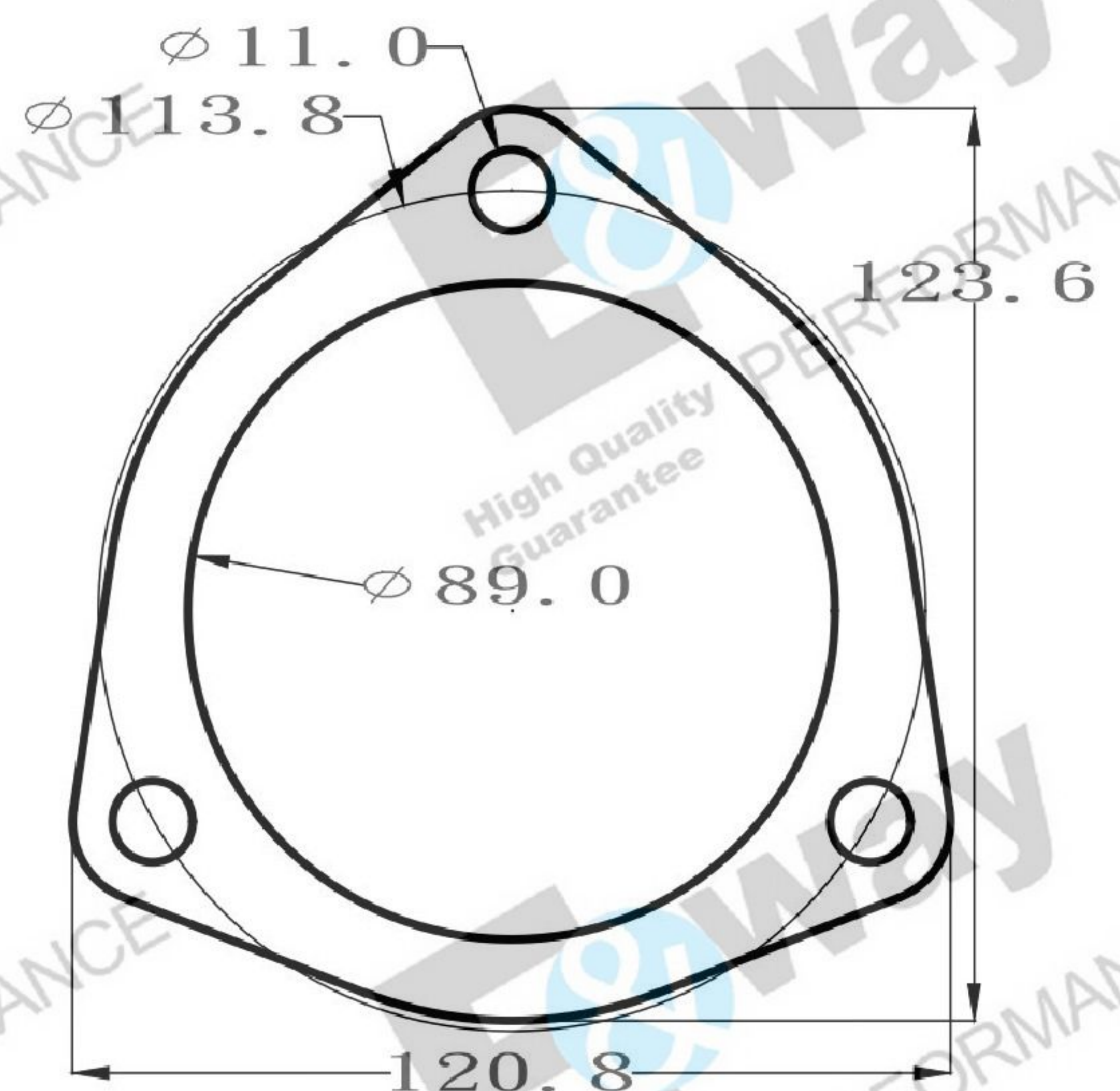
Bolt To Bolt=75/mm(2.96") 93.8/mm(3.70")

Bolt Hole=13.5/mm(0.53")

Thickness=1.6~2.0/mm(0.06"~0.08")

Material:Graphite(Mixed Steel)

**EP3-077**



Inside Diameter(ID)=89/mm(3.50")

Bolt Circle=113.8/mm(4.48")

Bolt Hole=11/mm(0.43")

Thickness=1.6~2.0/mm(0.06"~0.08")

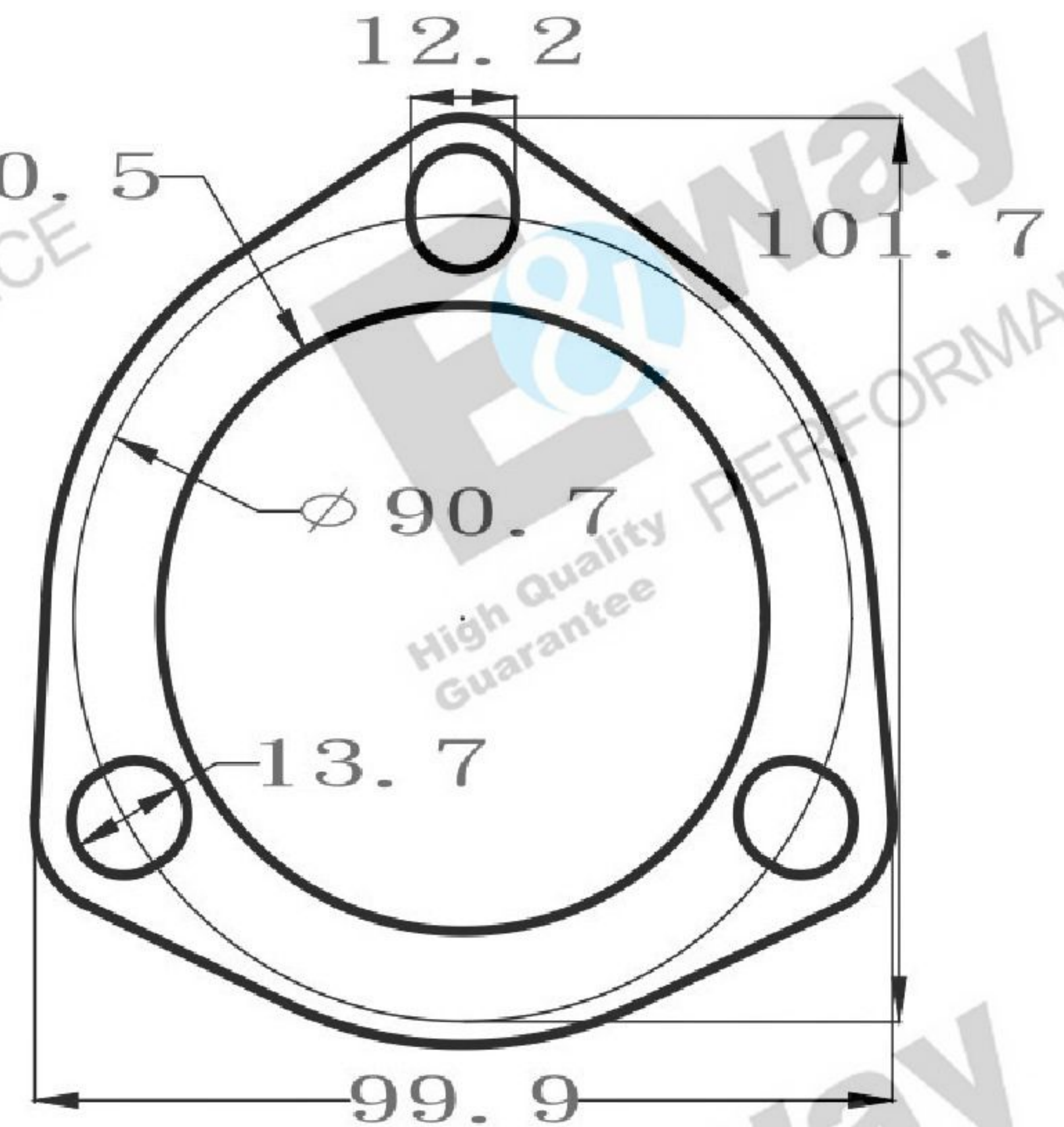
Material:Steel(Mixed Asbestos Free)+Stainless Steel(Hole)

**EP3-078**



# 3-Bolt Exhaust Flange/Muffler/Pipe Gasket P27

P27



Inside Diameter(ID)=70.5/mm(2.78")

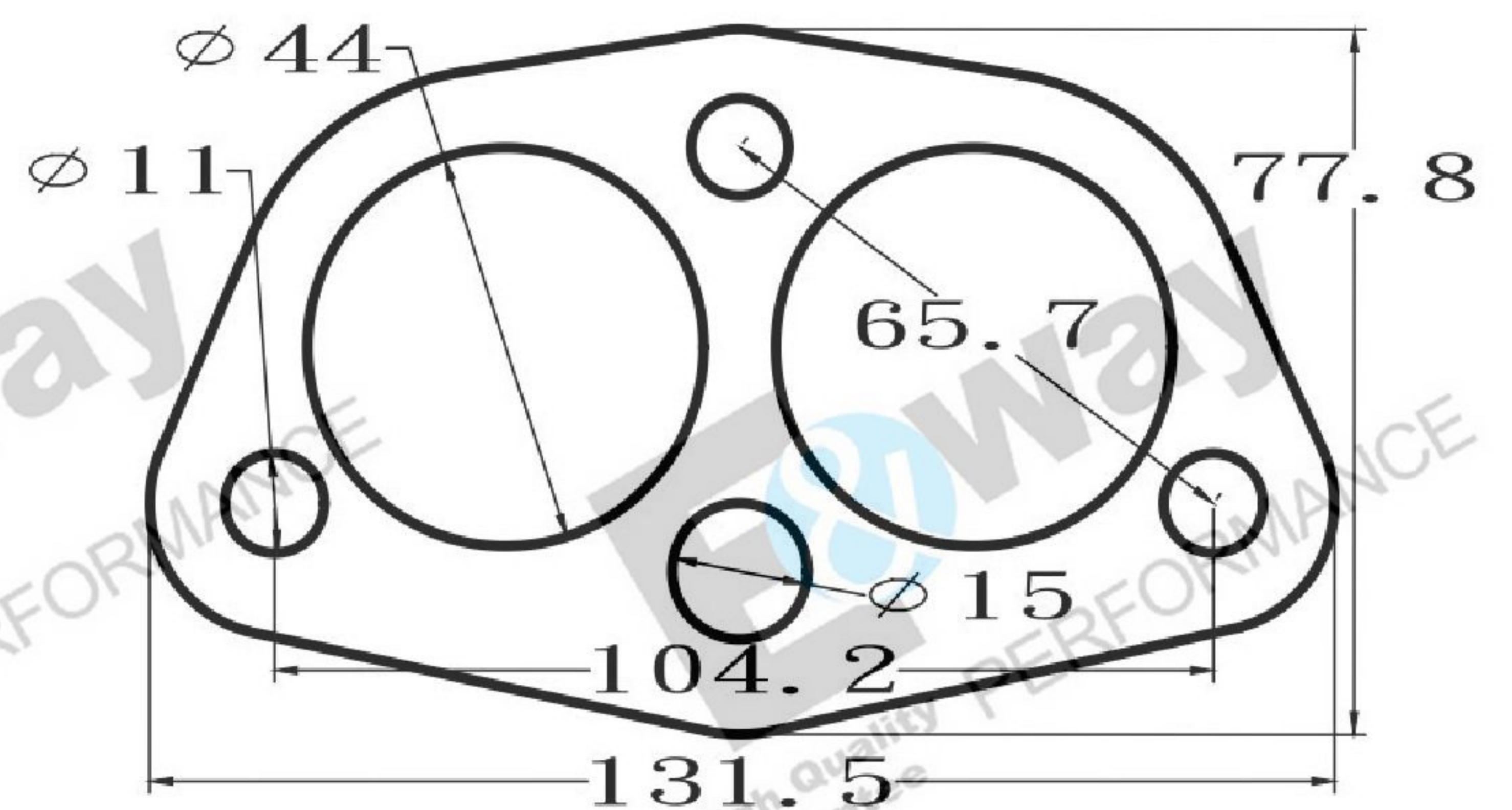
Bolt Circle=90.7/mm(3.57")

Bolt Hole=12.2/mm(0.48")

Thickness=1.6~2.0/mm(0.06"~0.08")

Material:Steel(Mixed Asbestos Free)+Stainless Steel(Hole)

EP3-079



Inside Diameter(ID)=44/mm(1.73")

Bolt to Bolt=65.7/mm(2.59")104.2/mm(4.10")

Bolt Hole=11/mm(0.43")

Thickness=1.6~2.0/mm(0.06"~0.08")

Material:Steel(Mixed Asbestos Free)

EP3-080