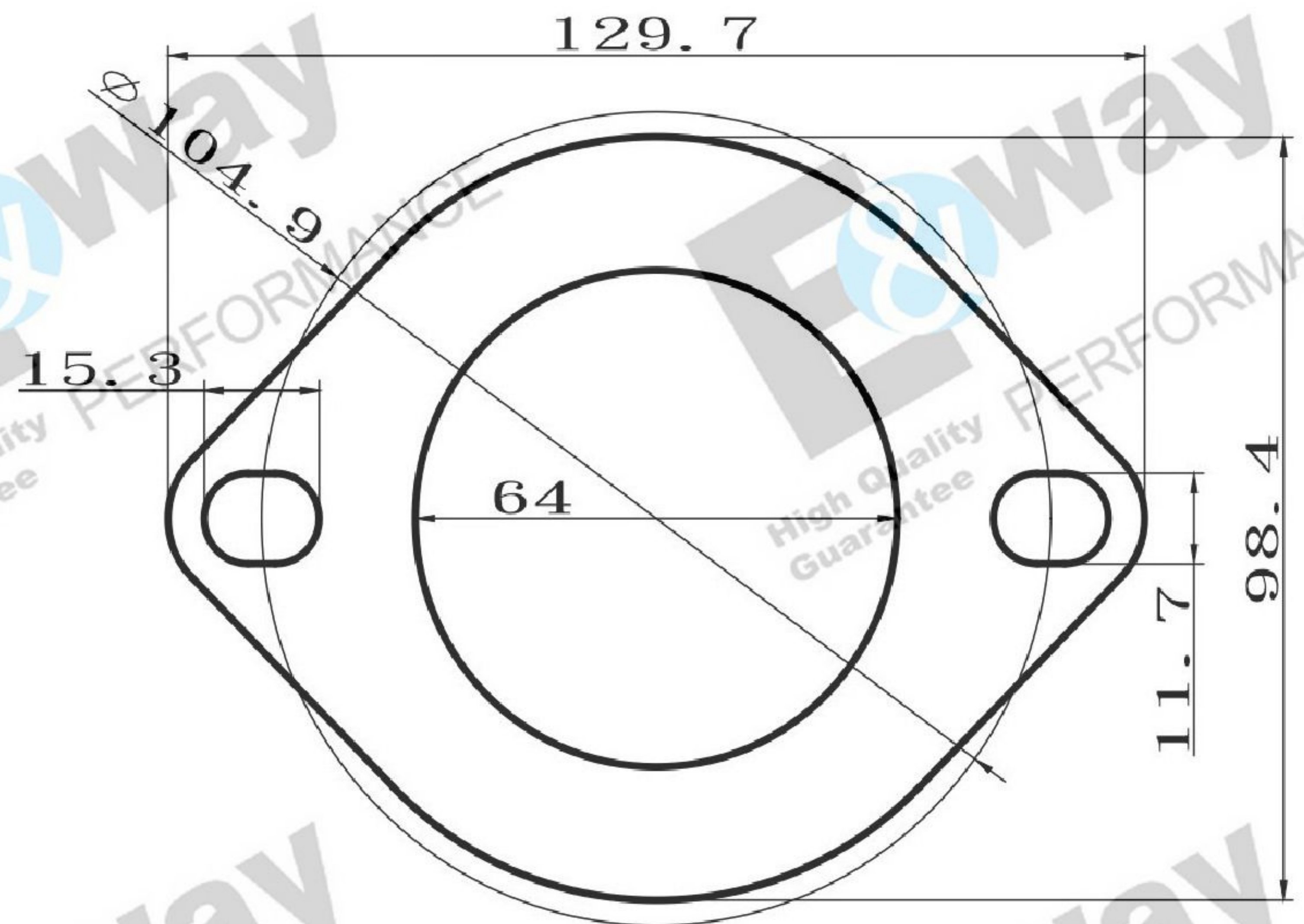


2-Bolt Exhaust Flange/Muffler/Pipe Gasket P1

P1



Inside Diameter(ID)=64/mm(2.51")

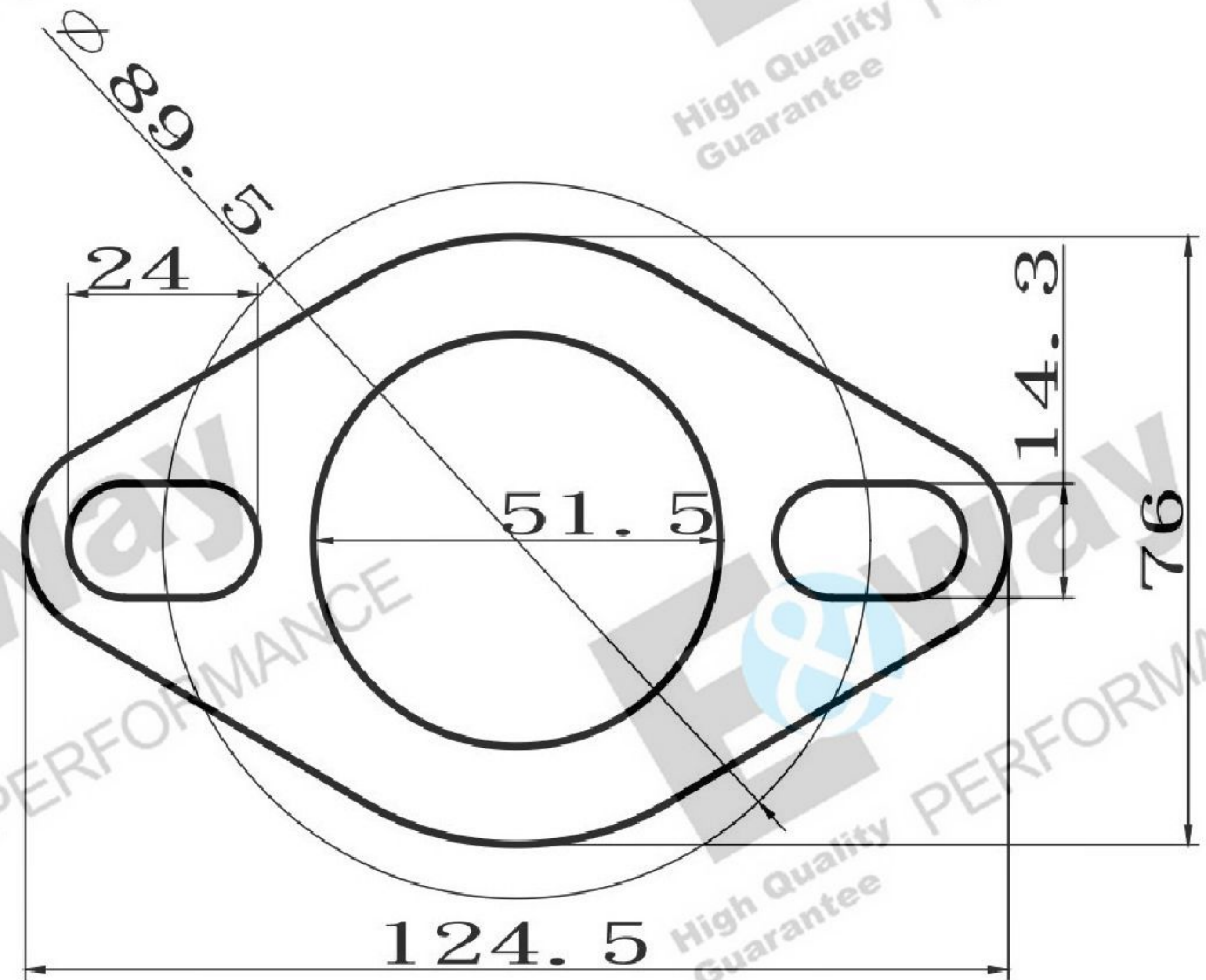
Bolt Circle=104.9/mm(4.12")

Bolt Hole=11.7/mm(0.46")

Thickness=1.6~2.0/mm(0.06"~0.08")

Material:Steel(Mixed Asbestos Free)+Stainless Steel(Hole)

EP2-001



Inside Diameter(ID)=51.5/mm(2.02")

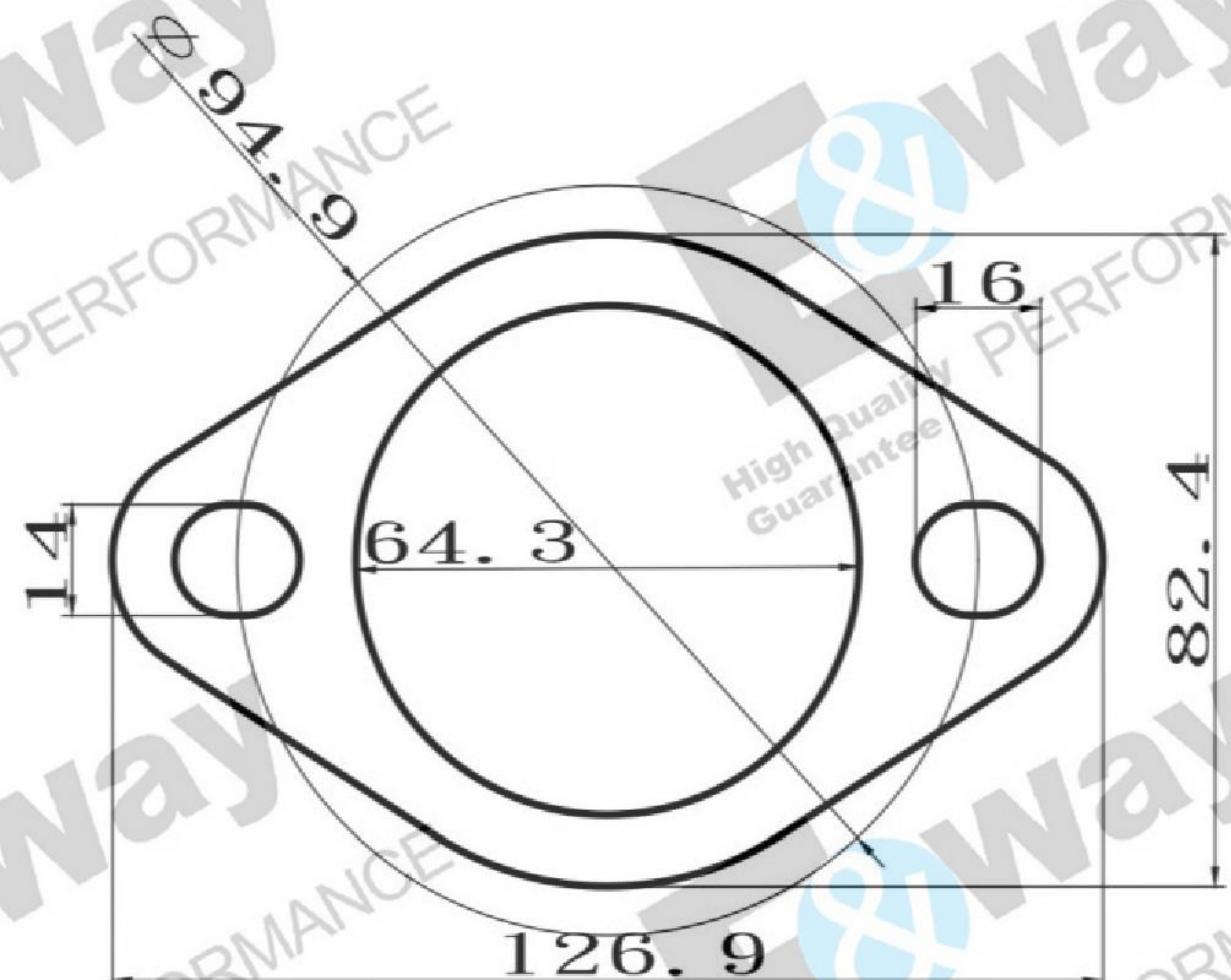
Bolt Circle=89.5/mm(3.52")

Bolt Hole=14.3/mm(0.56")

Thickness=1.6~2.0/mm(0.06"~0.08")

Material:Steel(Mixed Asbestos Free)+Stainless Steel(Hole)

EP2-002



Inside Diameter(ID)=64.3/mm(2.53")

Bolt Circle=94.9/mm(3.73")

Bolt Hole=14/mm(0.55")

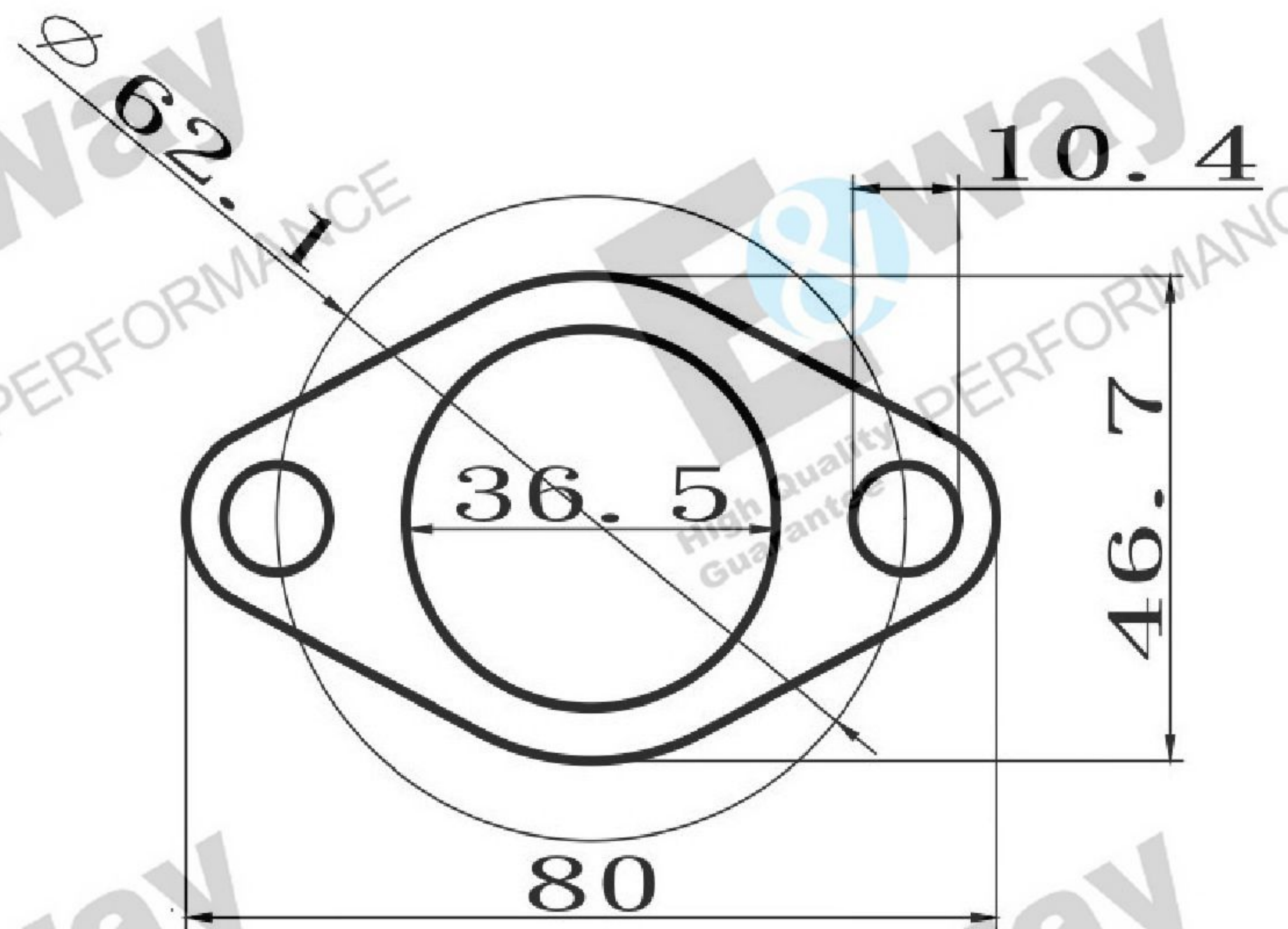
Thickness=1.6~2.0/mm(0.06"~0.08")

Material:Steel(Mixed Asbestos Free)+Stainless Steel(Hole)

EP2-003

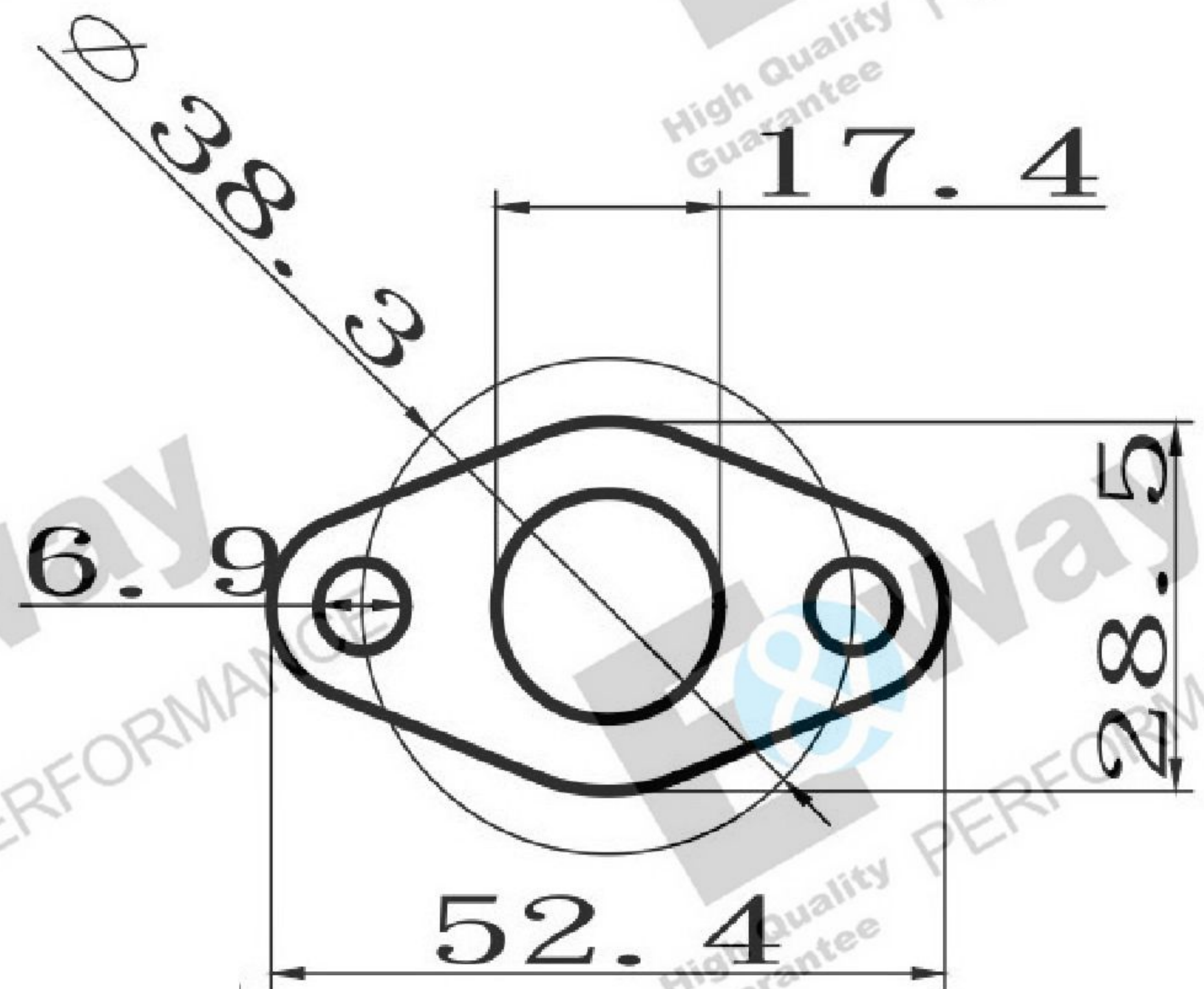
2-Bolt Exhaust Flange/Muffler/Pipe Gasket P2

P2



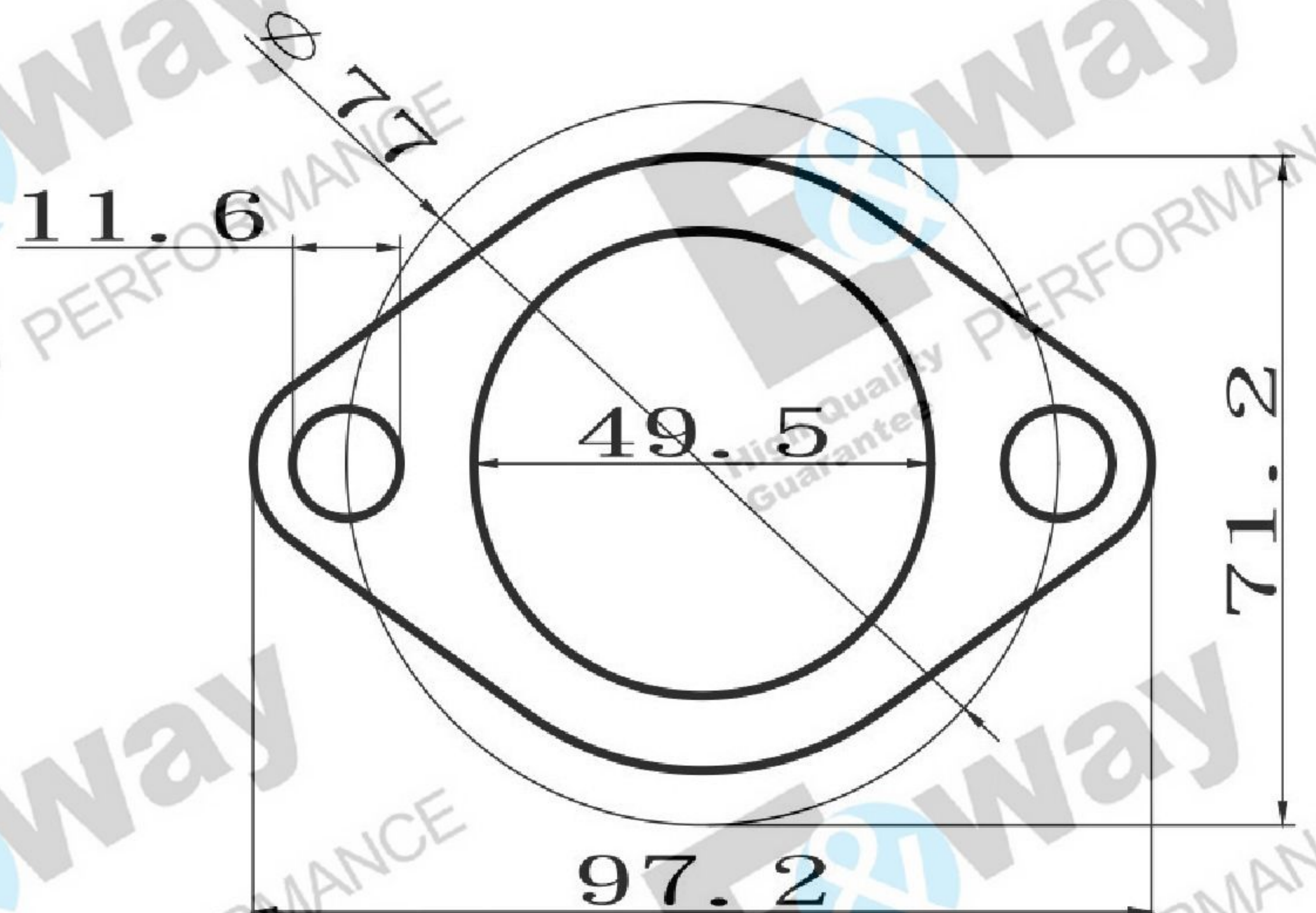
Inside Diameter(ID)=36.5/mm(1.44")
 Bolt Circle=62.1/mm(2.44")
 Bolt Hole=10.4/mm(0.41")
 Thickness=1.6~2.0/mm(0.06"~0.08")
 Material:Graphite(Mixed Steel)+Stainless Steel(Hole)

EP2-004



Inside Diameter(ID)=17.4/mm(0.68")
 Bolt Circle=38.3/mm(1.51")
 Bolt Hole=6.9/mm(0.27")
 Thickness=1.3/mm(0.05")
 Material:Graphite(Mixed Steel)+Stainless Steel(Hole)

EP2-005

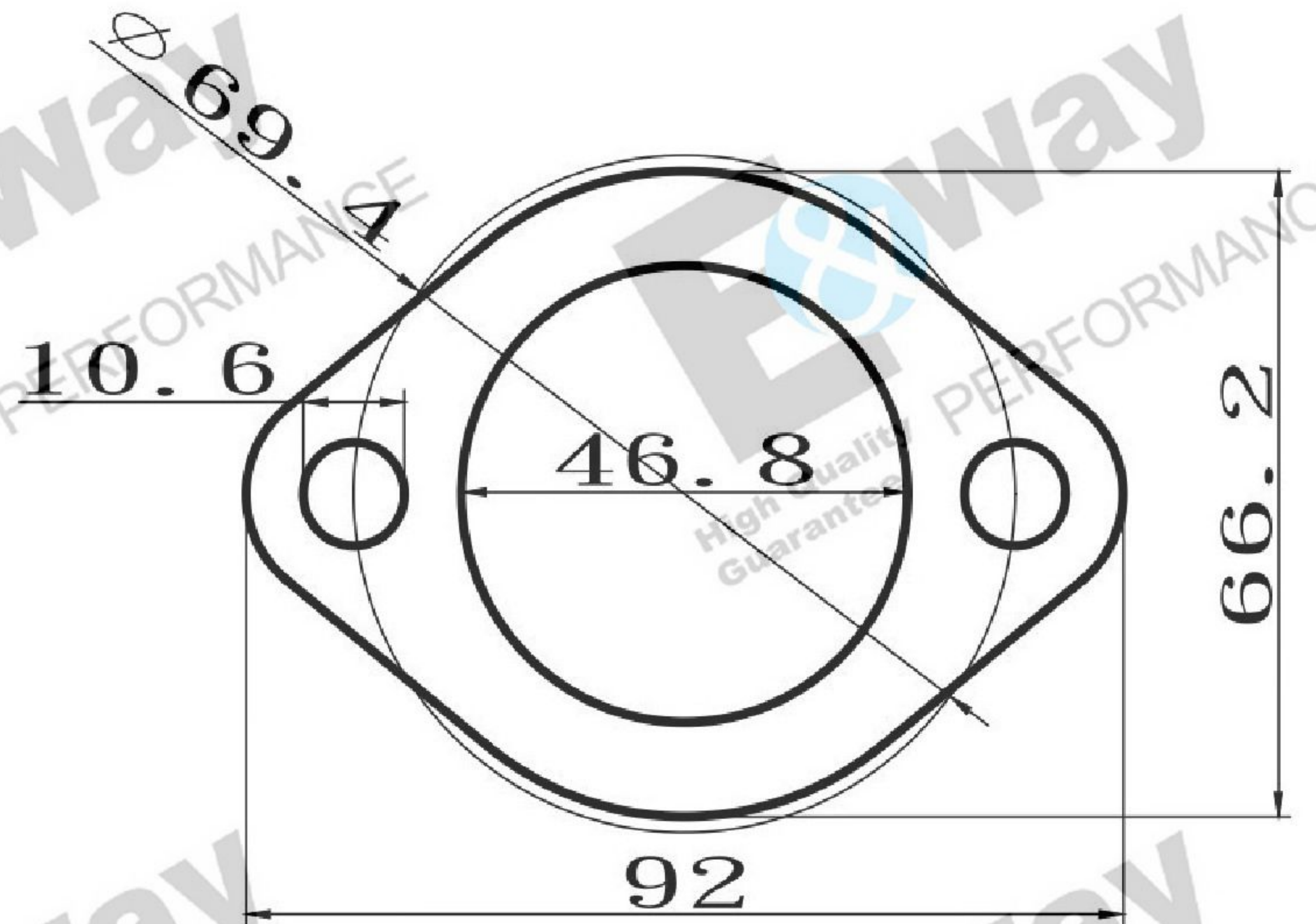
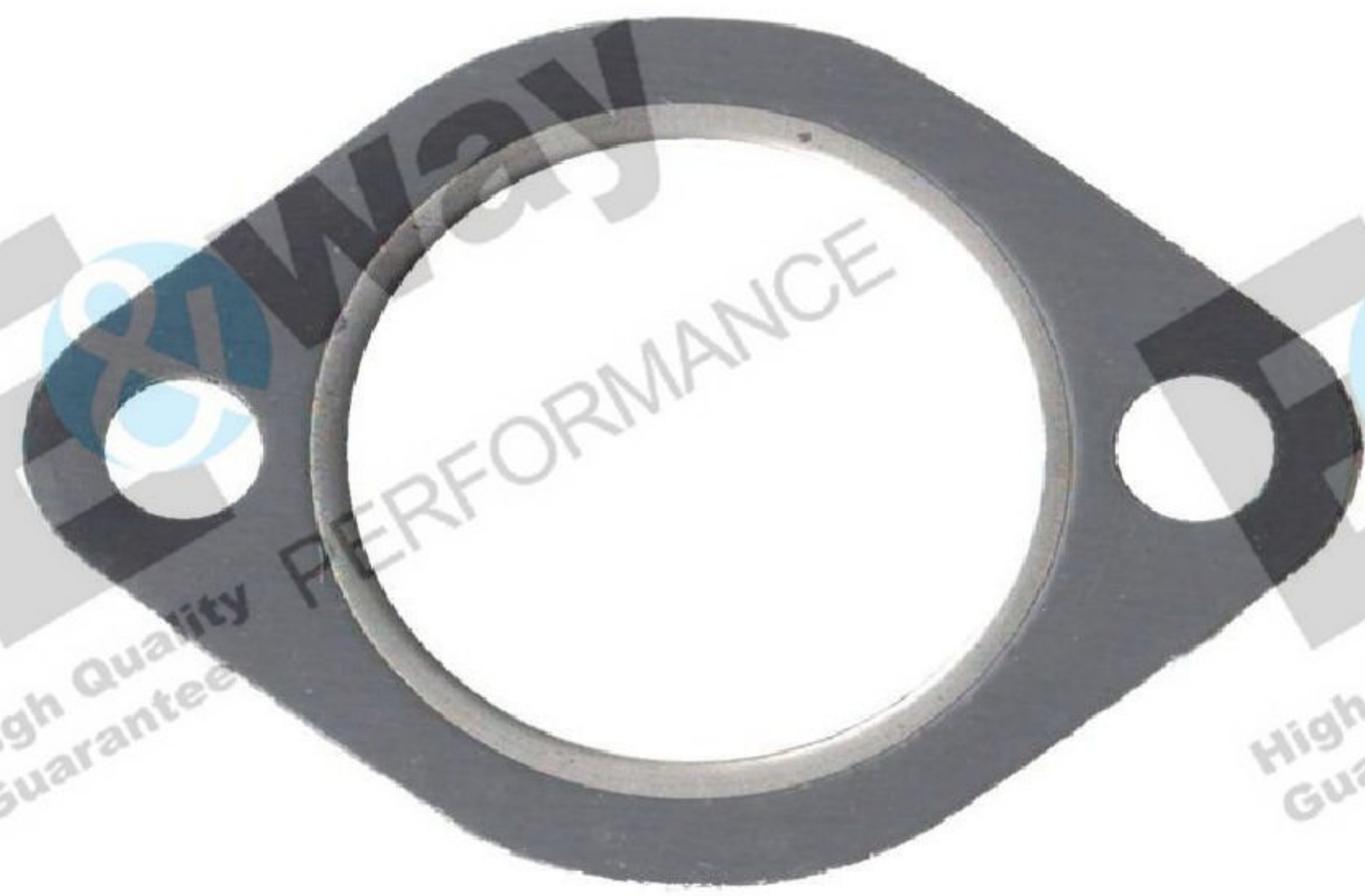


Inside Diameter(ID)=49.5/mm(1.94")
 Bolt Circle=77/mm(3.03")
 Bolt Hole=11.6/mm(0.45")
 Thickness=1.6~2.0/mm(0.06"~0.08")
 Material:Graphite(Mixed Steel)+Stainless Steel(Hole)+Copper+Steel(MoS2 Coated)

EP2-006

2-Bolt Exhaust Flange/Muffler/Pipe Gasket P3

P3



Inside Diameter(ID)=46.8/mm(1.84")

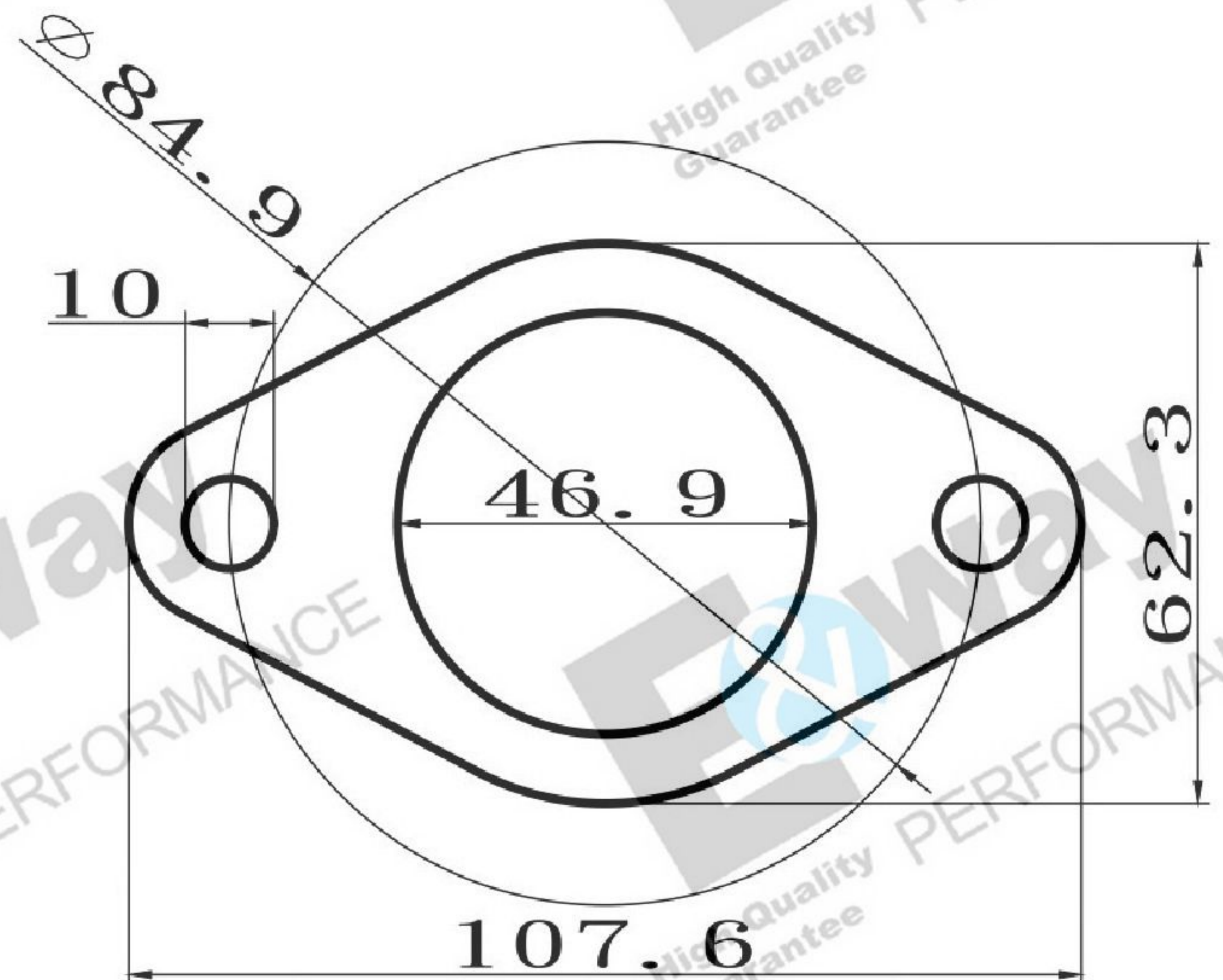
Bolt Circle=69.4/mm(2.73")

Bolt Hole=10.6/mm(0.41")

Thickness=1.6~2.0/mm(0.06"~0.08")

Material:Graphite(Mixed Steel)+Stainless Steel(Hole)+Steel(MoS2 Coated)

EP2-007



Inside Diameter(ID)=46.9/mm(1.84")

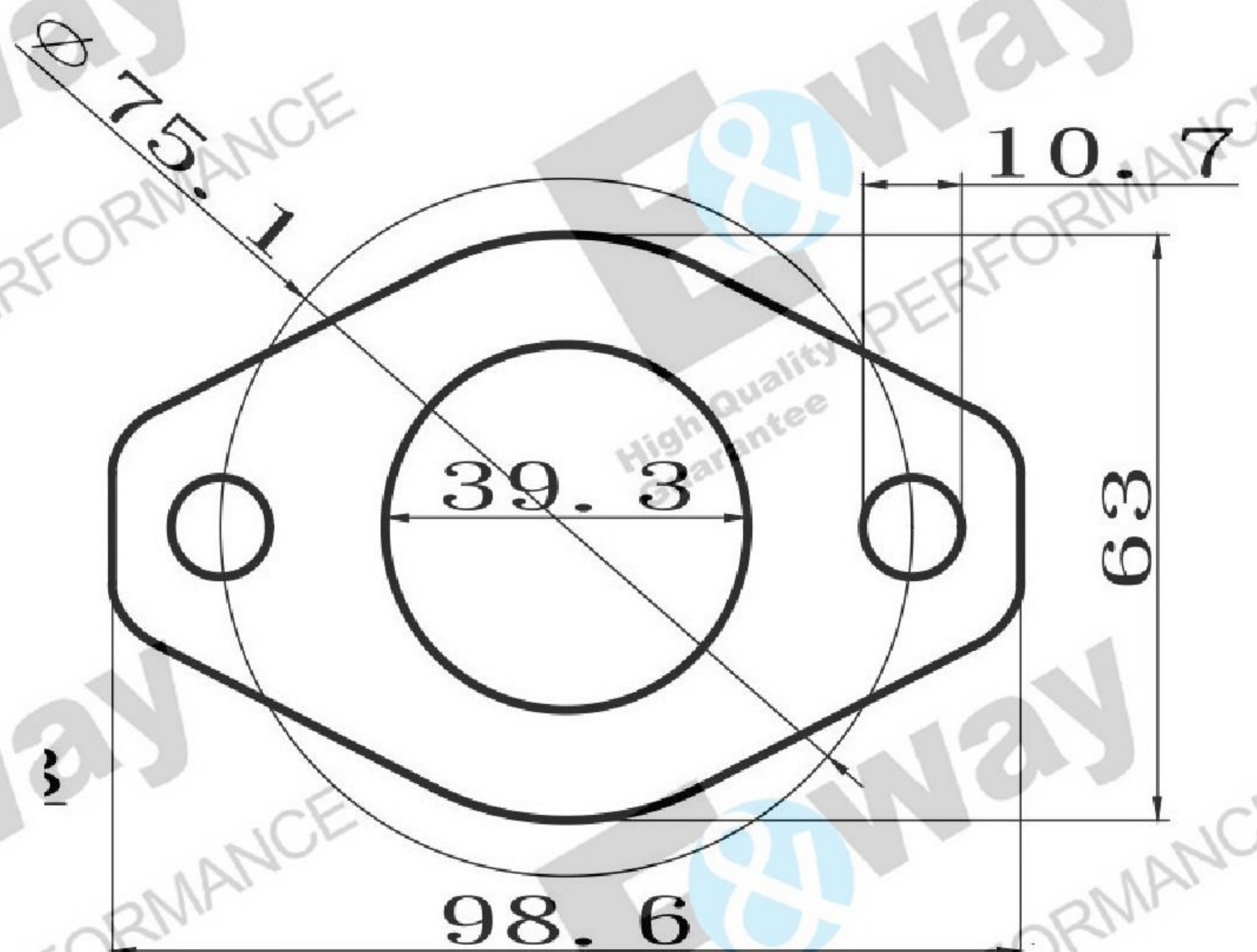
Bolt Circle=84.9/mm(3.34")

Bolt Hole=10/mm(0.39")

Thickness=1.6~2.0/mm(0.06"~0.08")

Material:Graphite(Mixed Steel)+Stainless Steel(Hole)+Steel(MoS2 Coated)

EP2-008



Inside Diameter(ID)=39.3/mm(1.54")

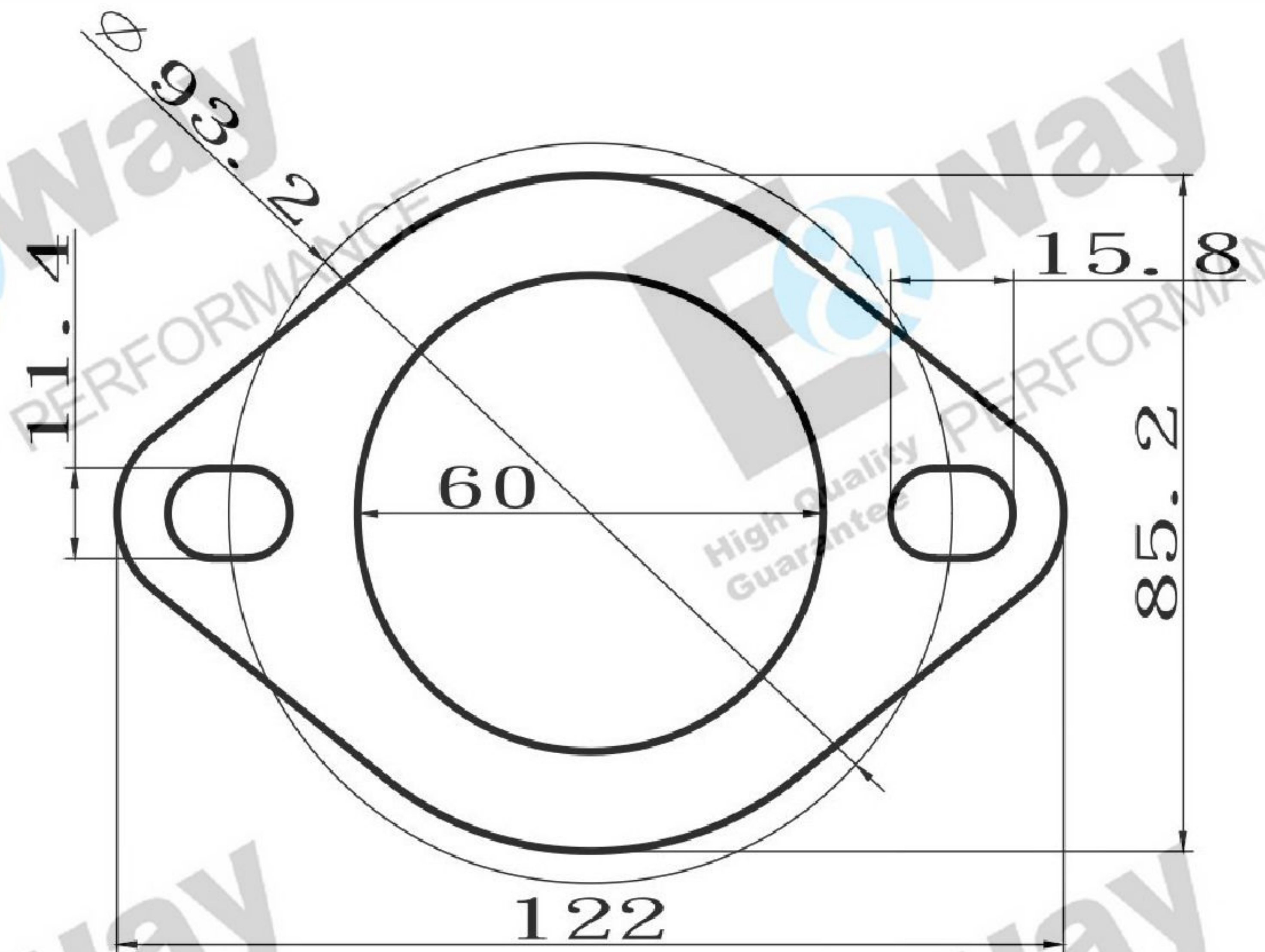
Bolt Circle=75.1/mm(2.95")

Bolt Hole=10.7/mm(0.42")

Thickness=1.6~2.0/mm(0.06"~0.08")

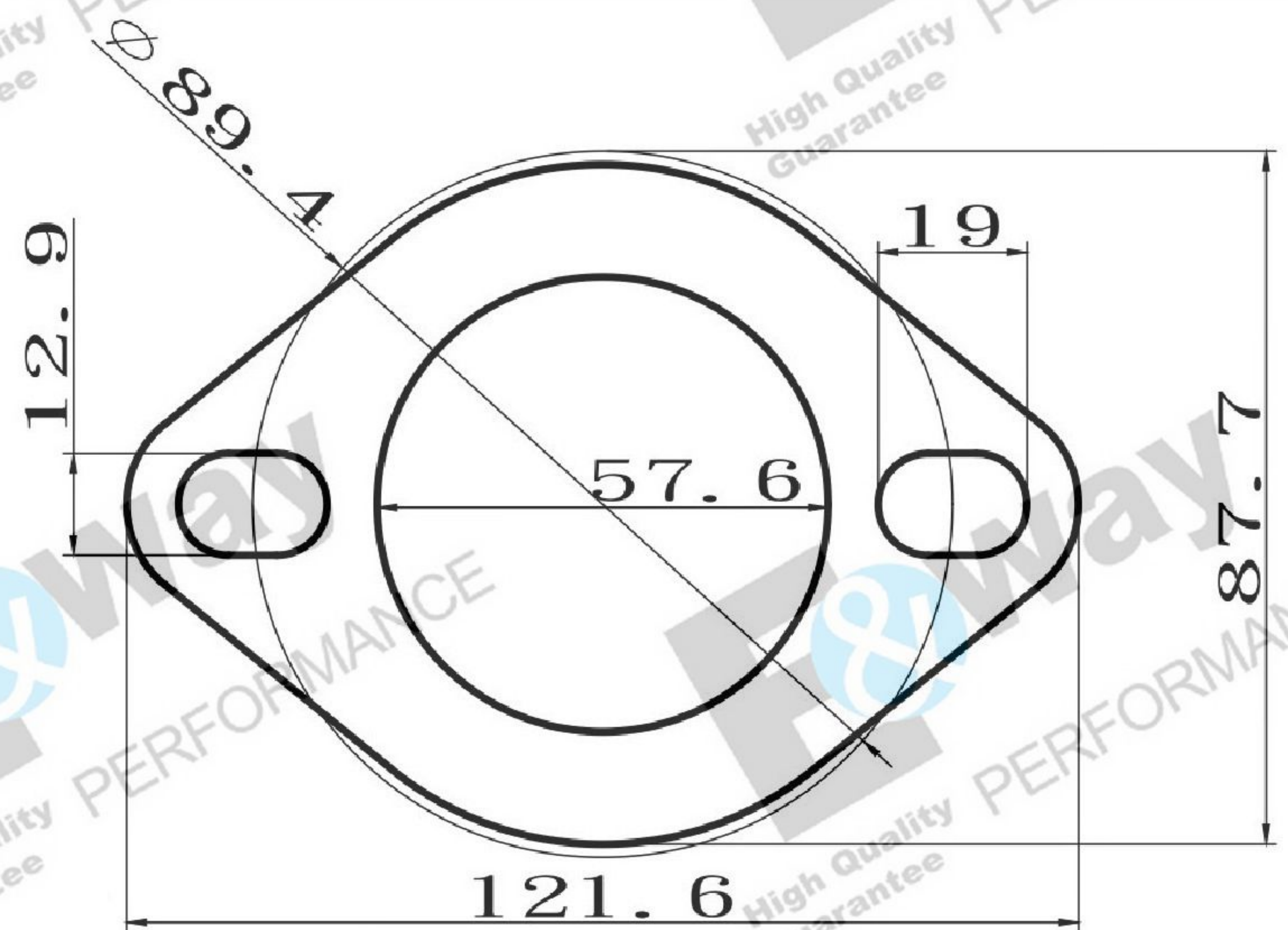
Material:Steel(Mixed Asbestos Free)+Stainless Steel(Hole)

EP2-009



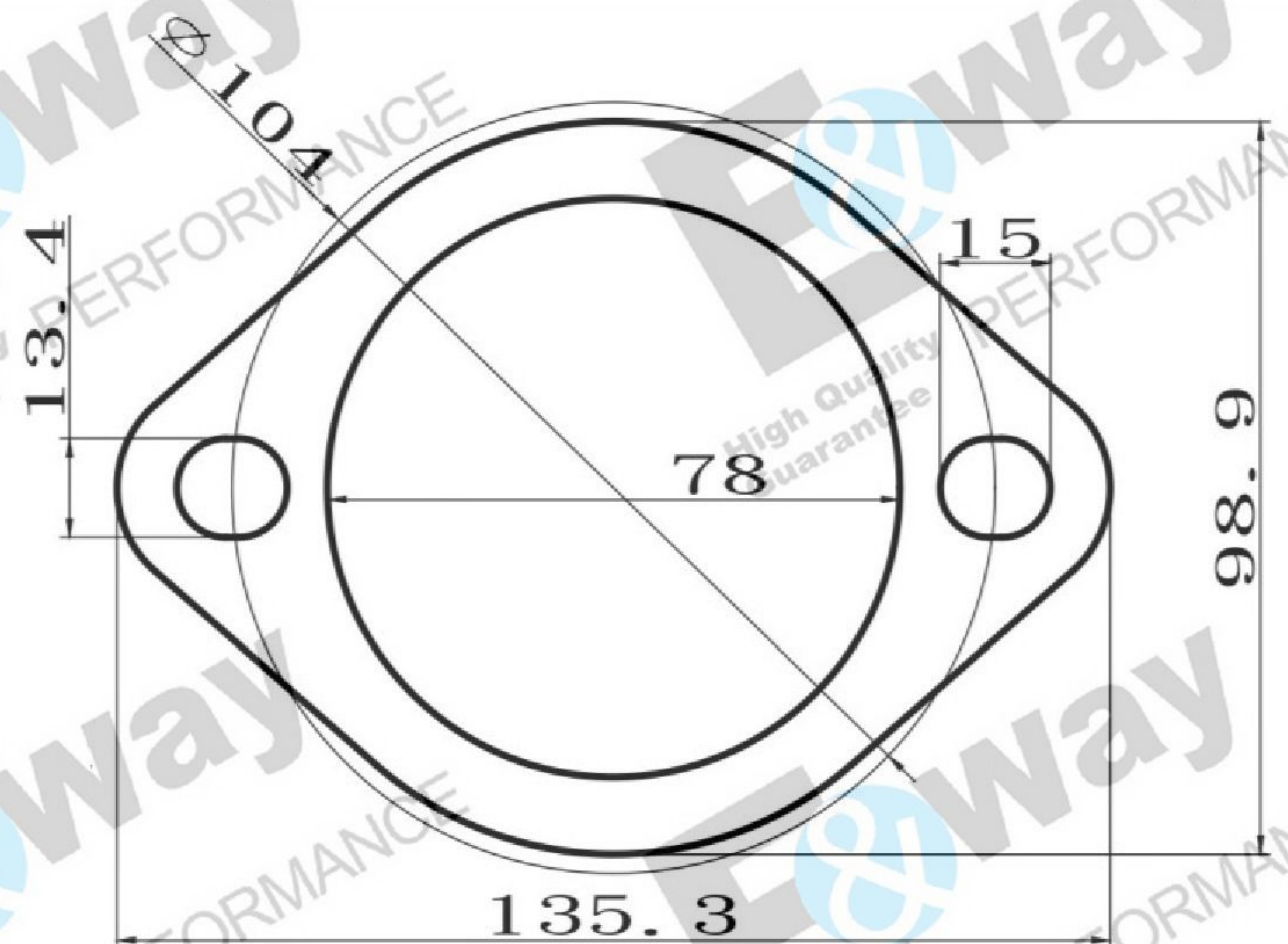
Inside Diameter(ID)=60/mm(2.36")
 Bolt Circle=93.2/mm(3.66")
 Bolt Hole=11.4/mm(0.44")
 Thickness=1.6~2.0/mm(0.06"~0.08")
 Material:Steel(Mixed Asbestos Free)+Stainless Steel(Hole)

EP2-010



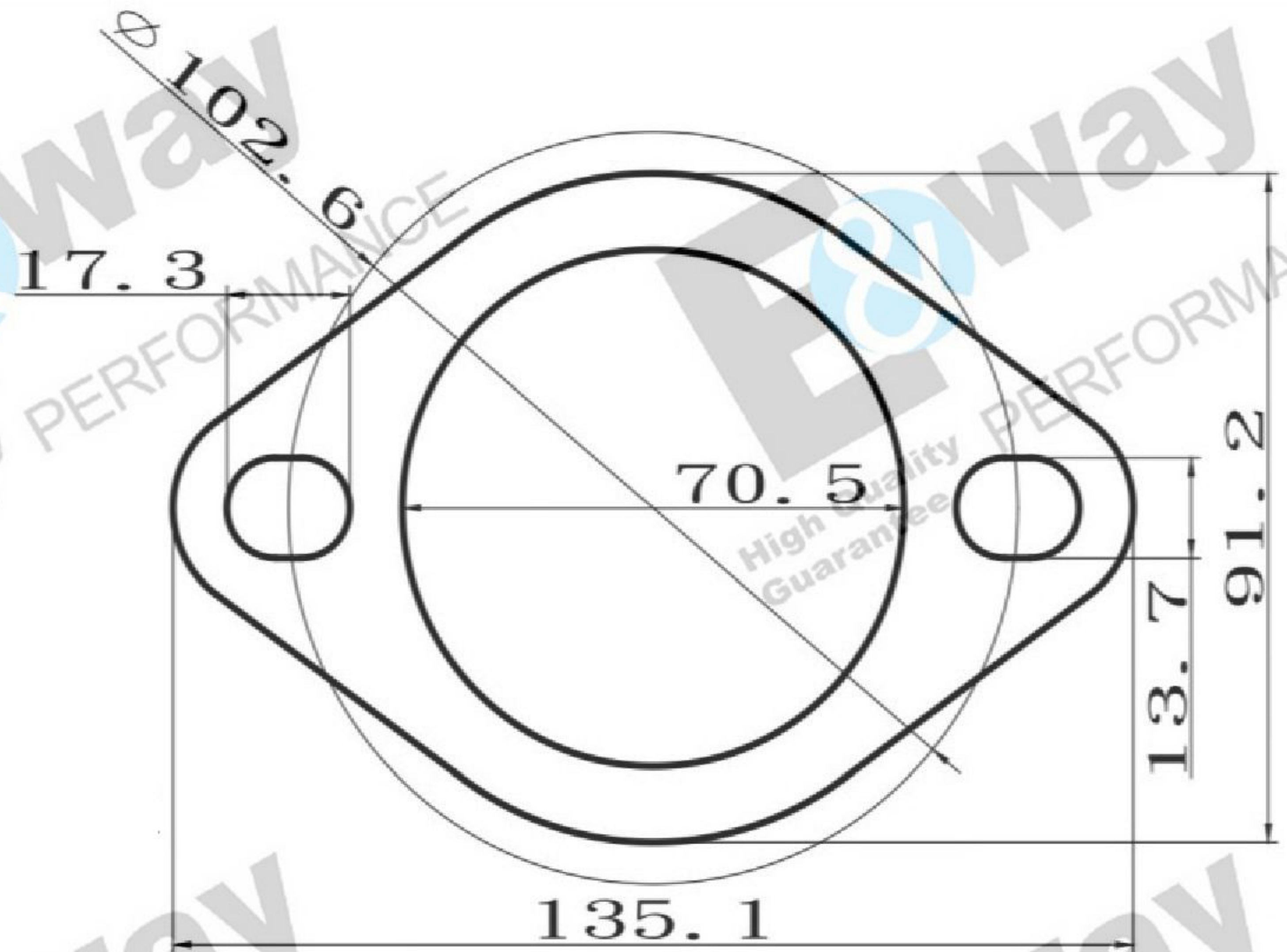
Inside Diameter(ID)=57.6/mm(2.26")
 Bolt Circle=89.4/mm(3.51")
 Bolt Hole=12.9/mm(0.5")
 Thickness=1.6~2.0/mm(0.06"~0.08")
 Material:Steel(Mixed Asbestos Free)+Stainless Steel(Hole)

EP2-011



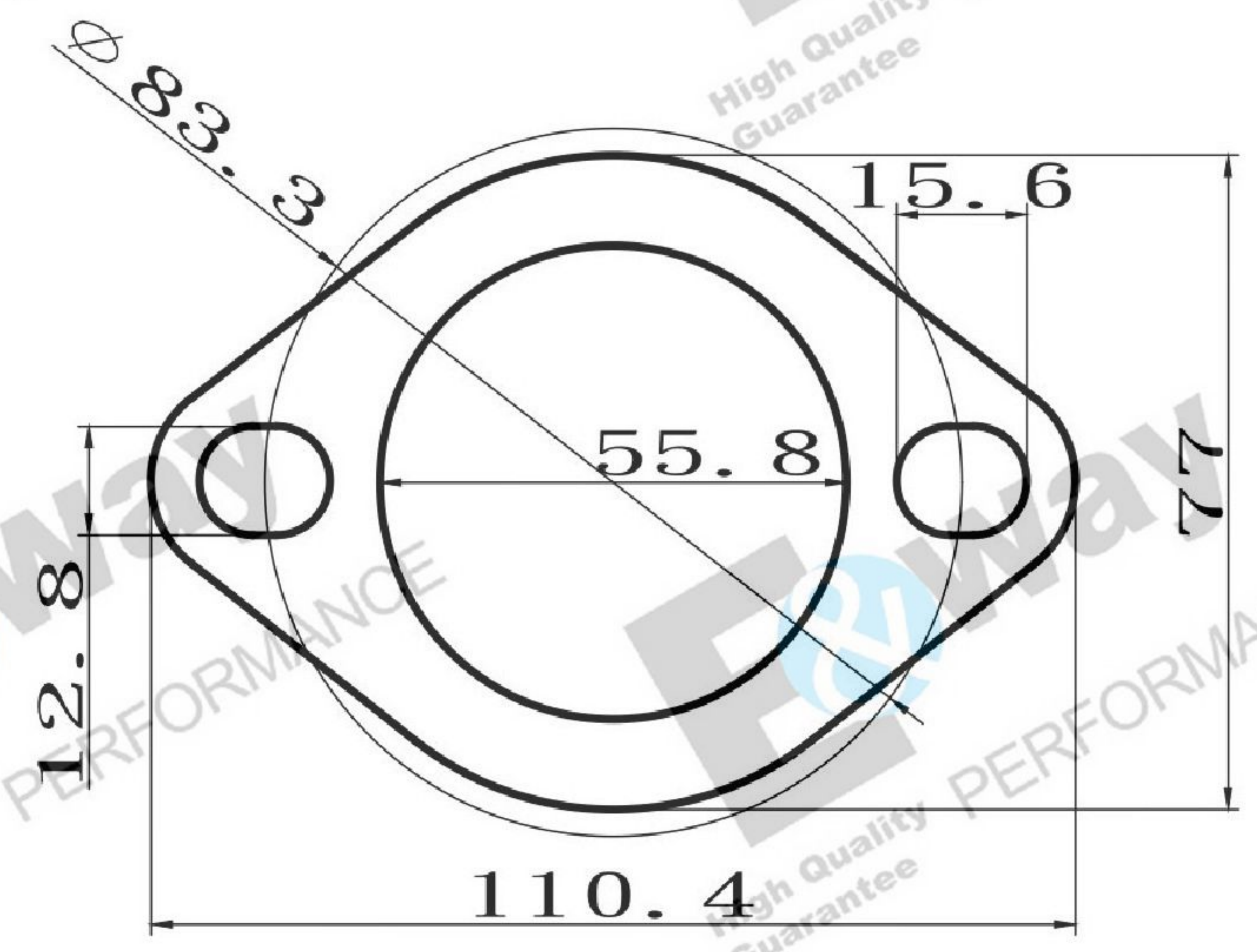
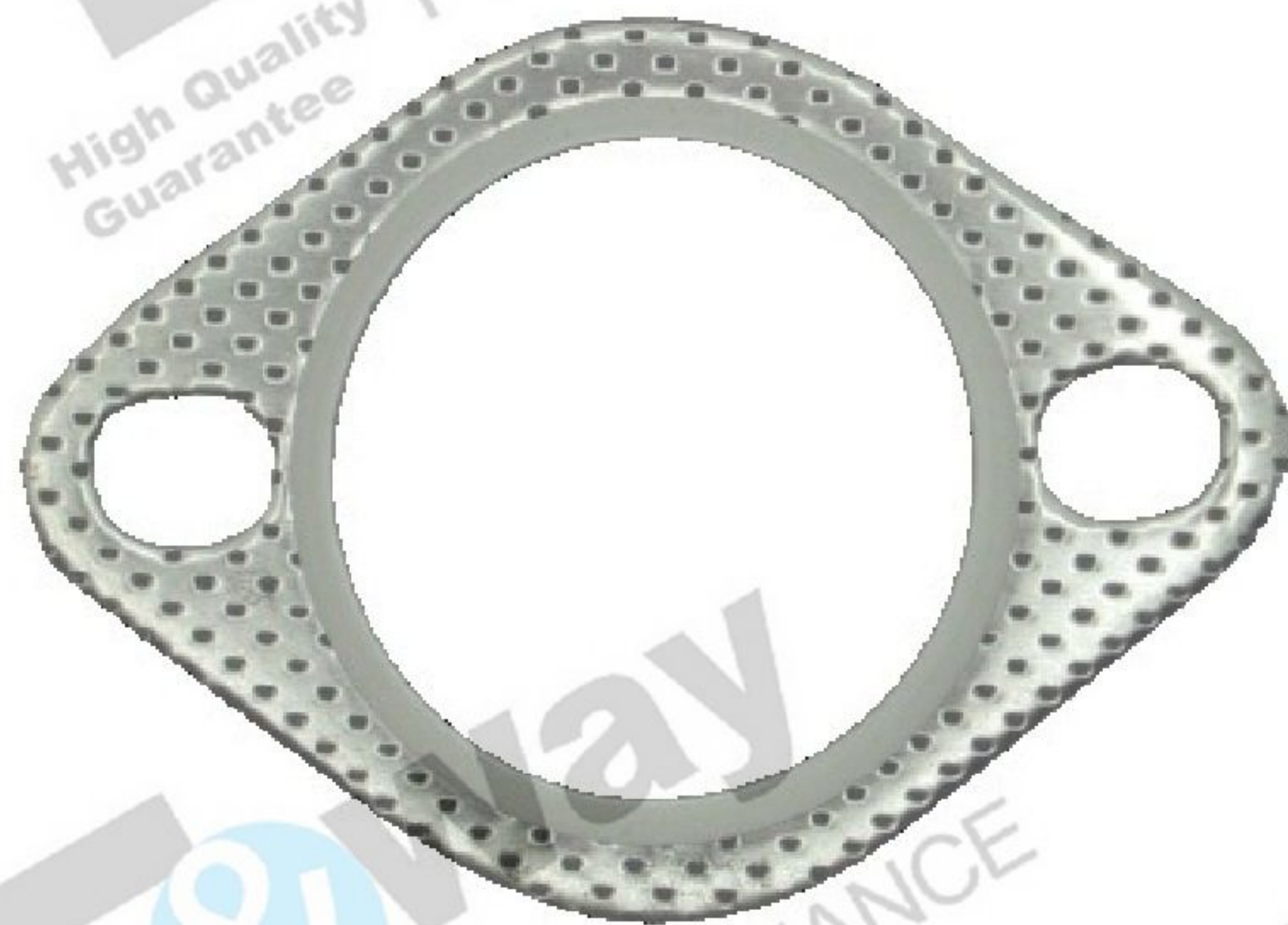
Inside Diameter(ID)=78/mm(3.07")
 Bolt Circle=104/mm(4.09")
 Bolt Hole=13.4/mm(0.52")
 Thickness=1.6~2.0/mm(0.06"~0.08")
 Material:Steel(Mixed Asbestos Free)+Stainless Steel(Hole)

EP2-012



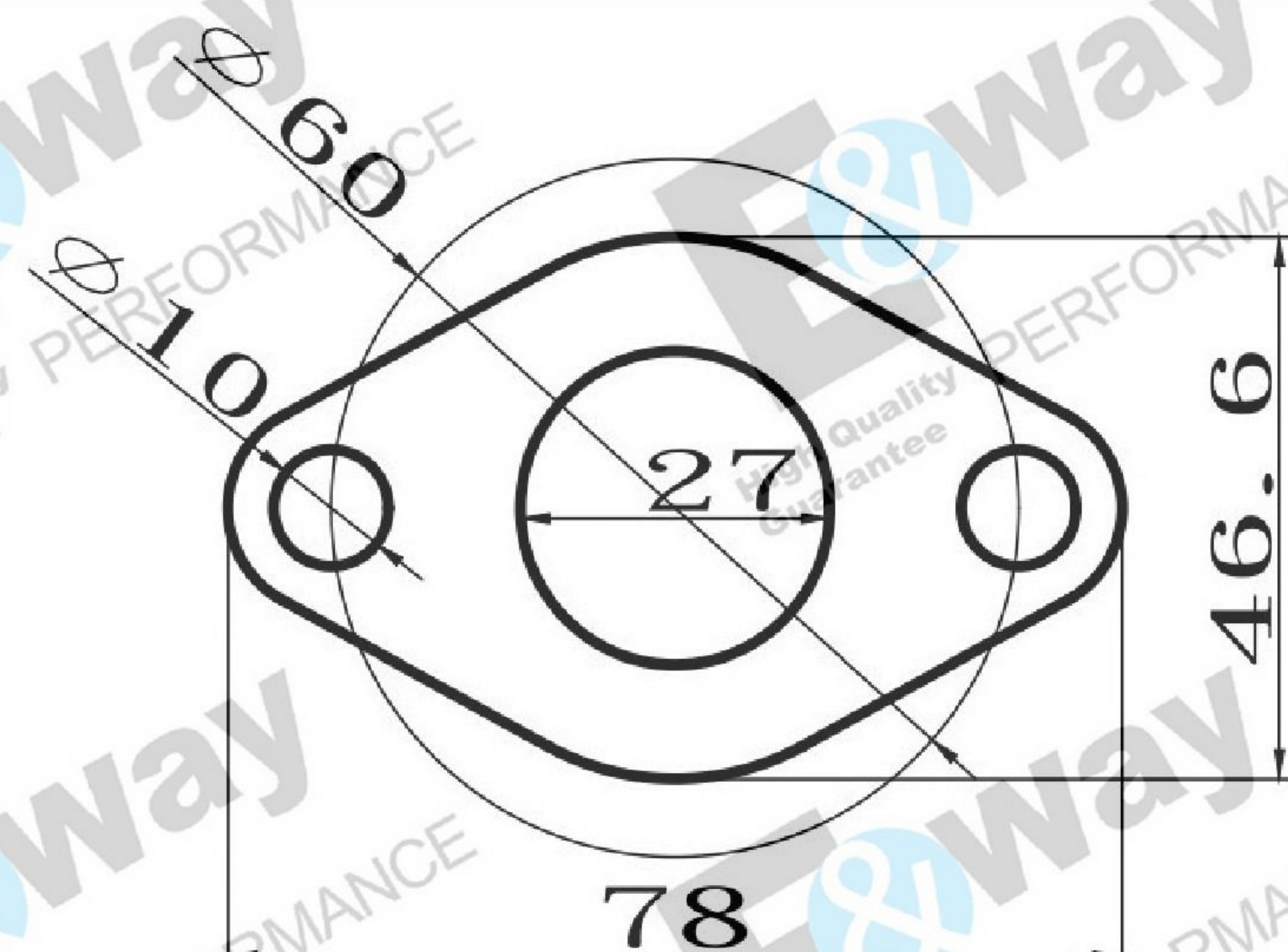
Inside Diameter(ID)=70.5/mm(2.77")
 Bolt Circle=102.6/mm(4.03")
 Bolt Hole=13.7/mm(0.53")
 Thickness=1.6~2.0/mm(0.06"~0.08")
 Material:Steel(Mixed Asbestos Free)+Stainless Steel(Hole)

EP2-013



Inside Diameter(ID)=55.8/mm(2.19")
 Bolt Circle=83.3/mm(3.27")
 Bolt Hole=12.8/mm(0.50")
 Thickness=1.6~2.0/mm(0.06"~0.08")
 Material:Steel(Mixed Asbestos Free)+Stainless Steel(Hole)

EP2-014

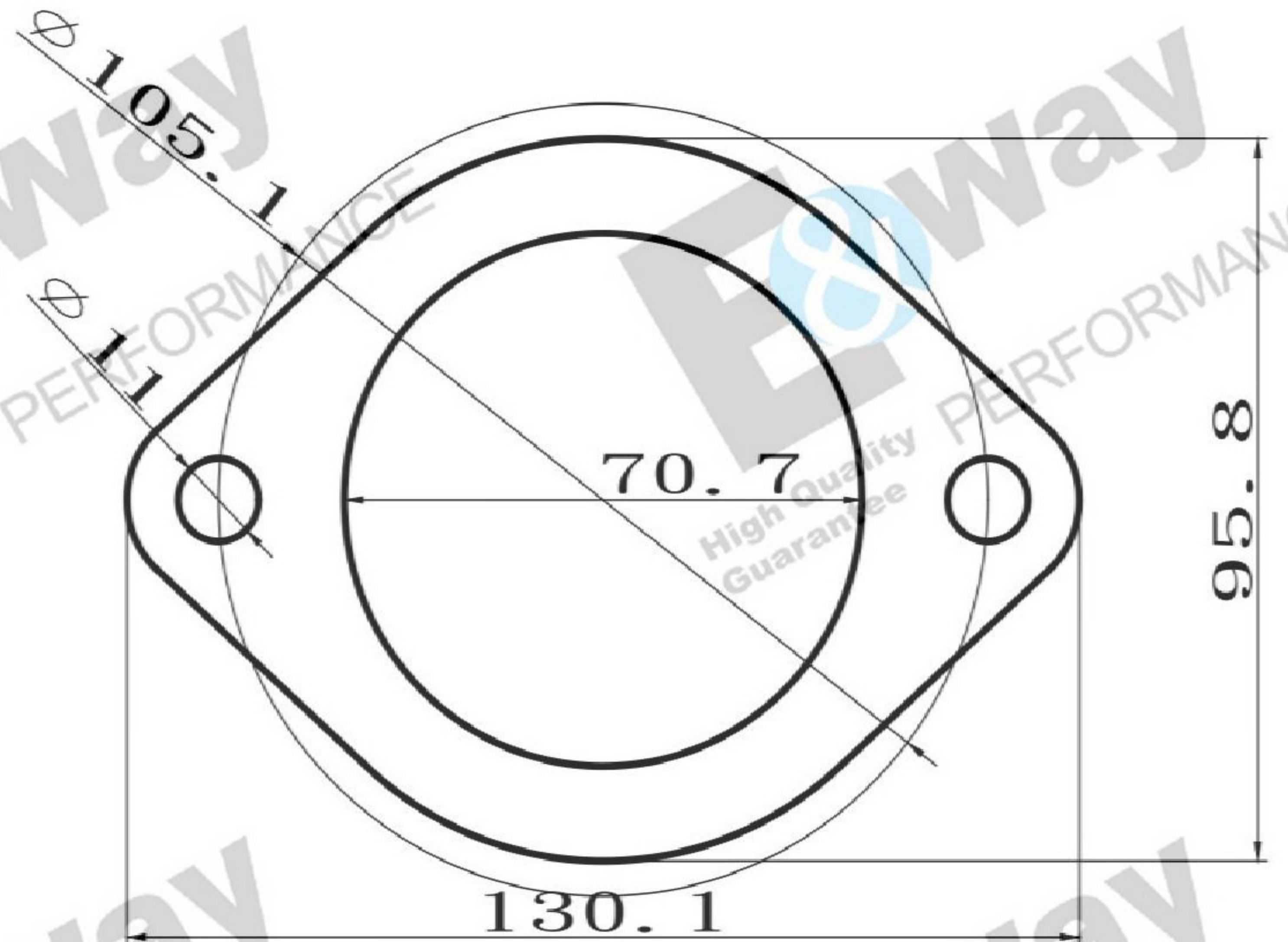
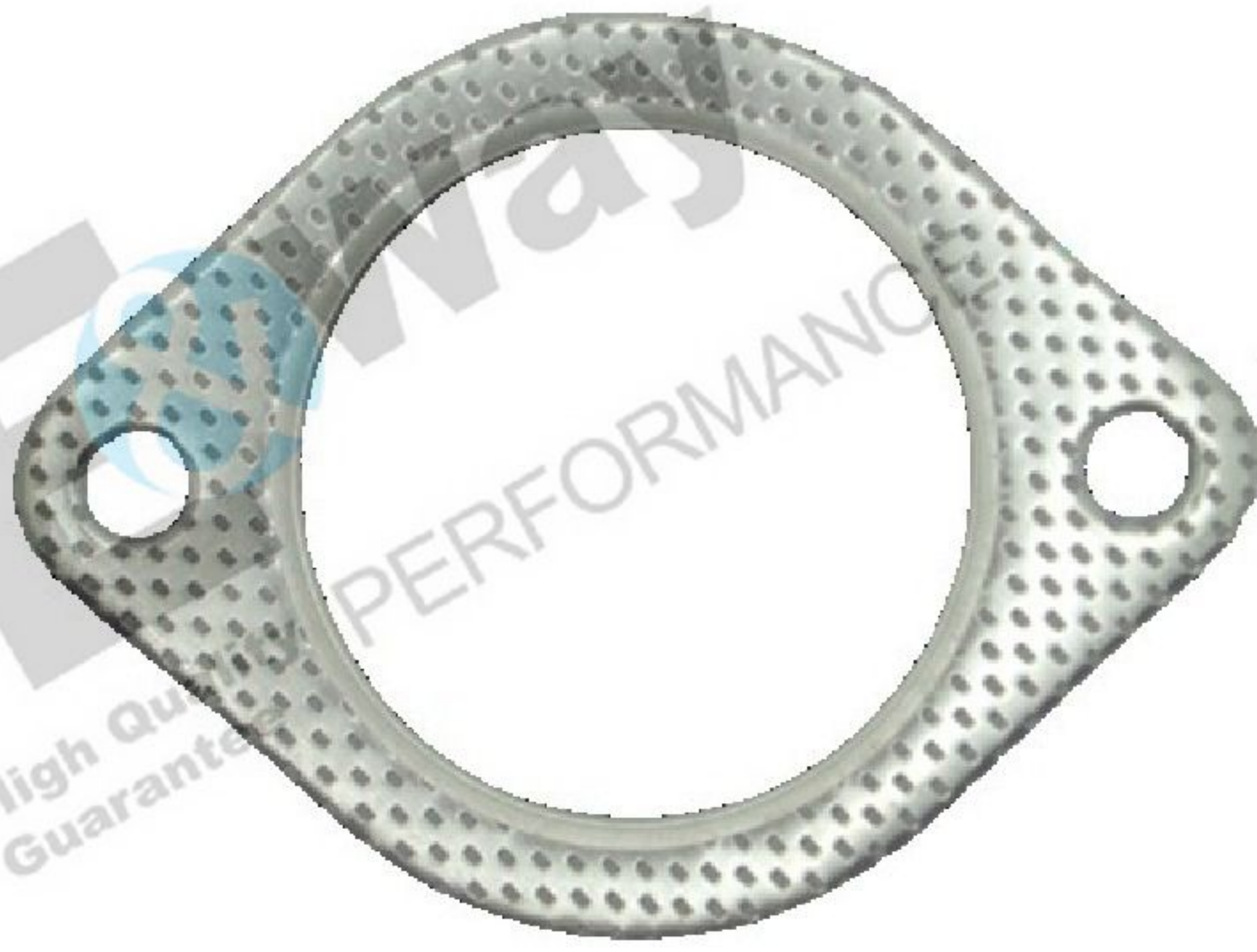


Inside Diameter(ID)=27/mm(1.06")
 Bolt Circle=60/mm(2.36")
 Bolt Hole=10/mm(0.39")
 Thickness=1.6~2.0/mm(0.06"~0.08")
 Material:Graphite(Mixed Steel)+Stainless Steel(Hole)+Steel(MoS2 Coated)

EP2-015

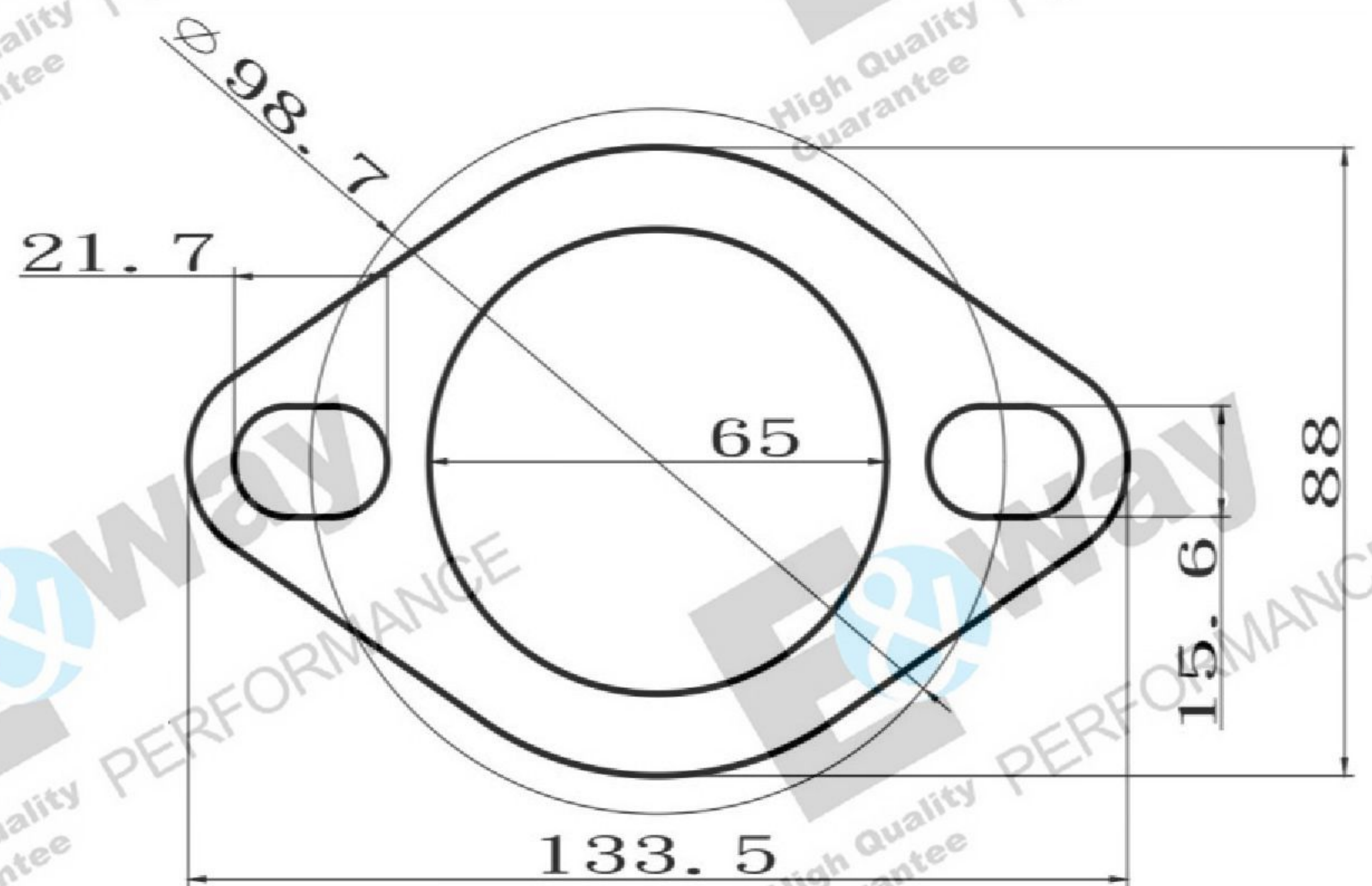
2-Bolt Exhaust Flange/Muffler/Pipe Gasket P6

P6



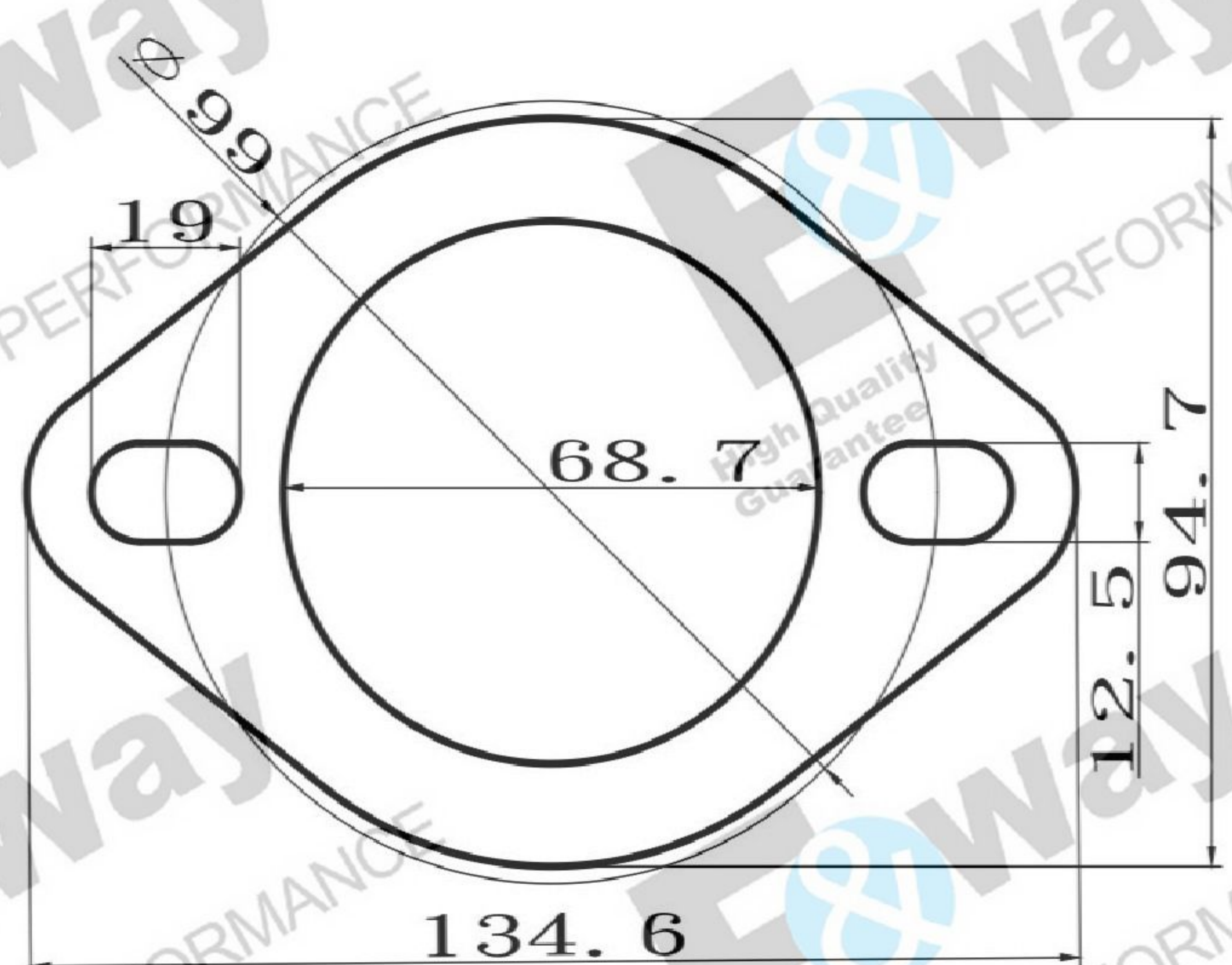
Inside Diameter(ID)=70.7/mm(2.78")
 Bolt Circle=105.1/mm(4.13")
 Bolt Hole=11/mm(0.43")
 Thickness=1.6~2.0/mm(0.06"~0.08")
 Material:Steel(Mixed Asbestos Free)+Stainless Steel(Hole)

EP2-016



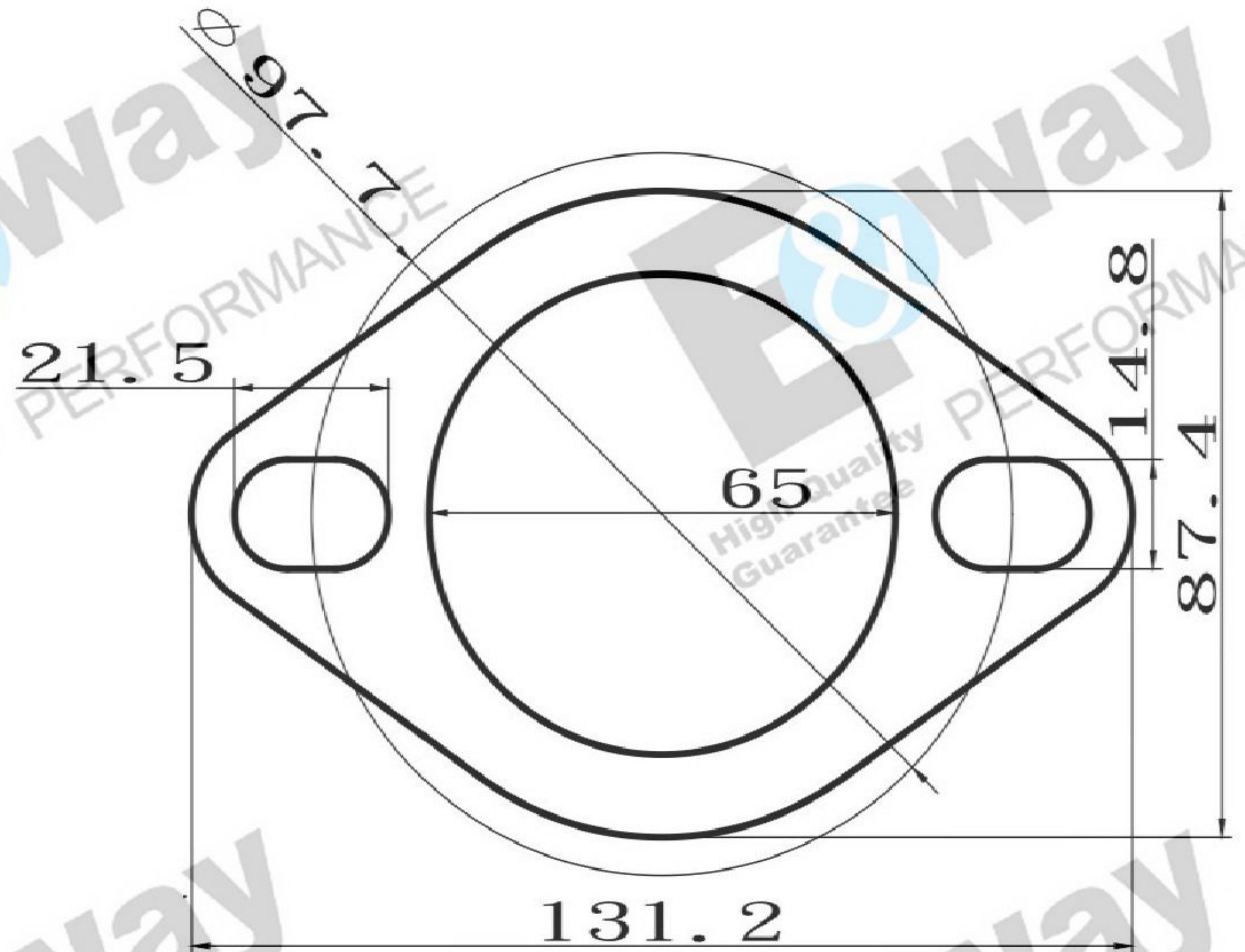
Inside Diameter(ID)=65/mm(2.55")
 Bolt Circle=98.7/mm(3.88")
 Bolt Hole=15.6/mm(0.61")
 Thickness=1.6~2.0/mm(0.06"~0.08")
 Material:Steel(Mixed Asbestos Free)+Stainless Steel(Hole)

EP2-017



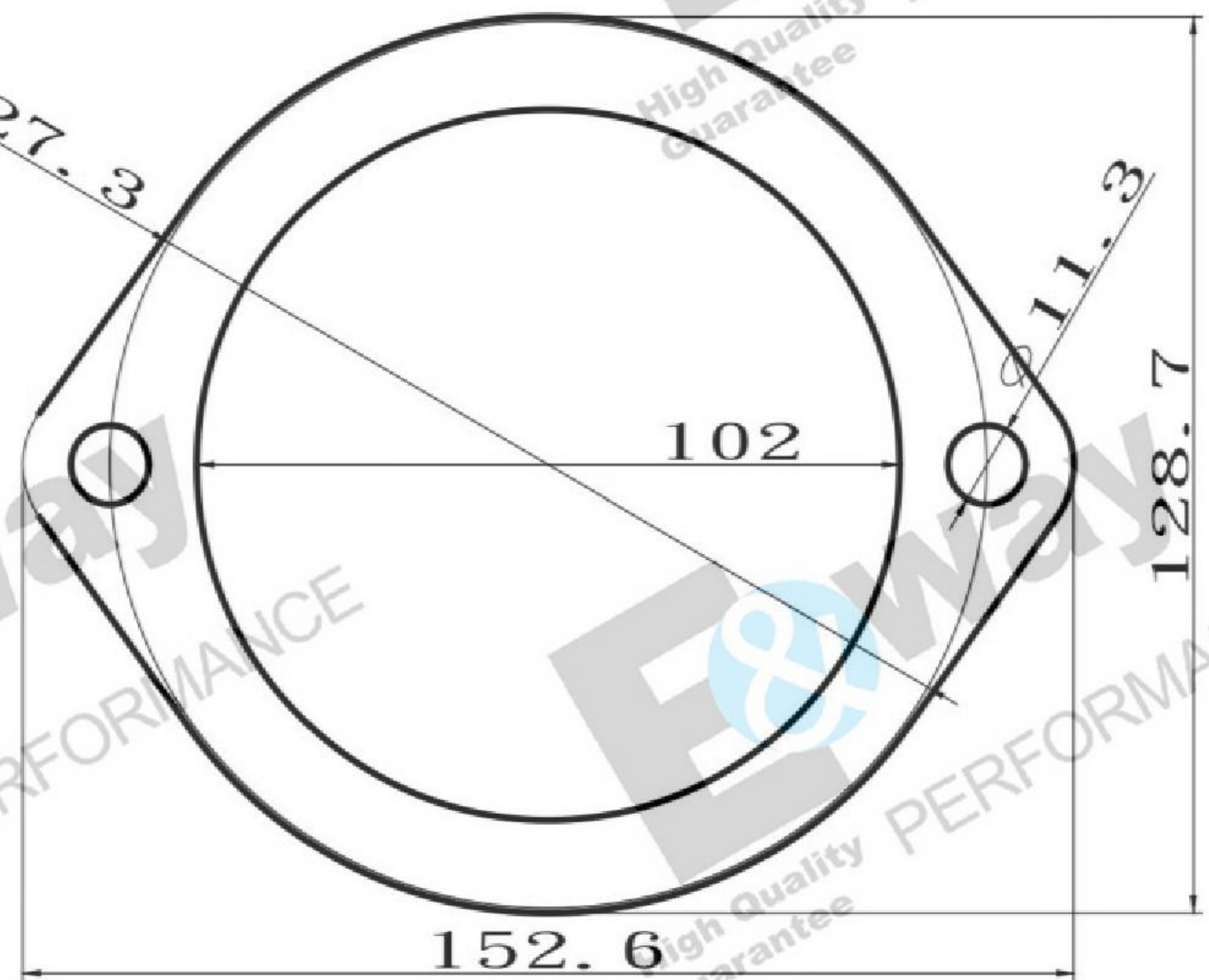
Inside Diameter(ID)=68.7/mm(2.70")
 Bolt Circle=99/mm(3.89")
 Bolt Hole=12.5/mm(0.49")
 Thickness=1.6~2.0/mm(0.06"~0.08")
 Material:Steel(Mixed Asbestos Free)+Stainless Steel(Hole)

EP2-018



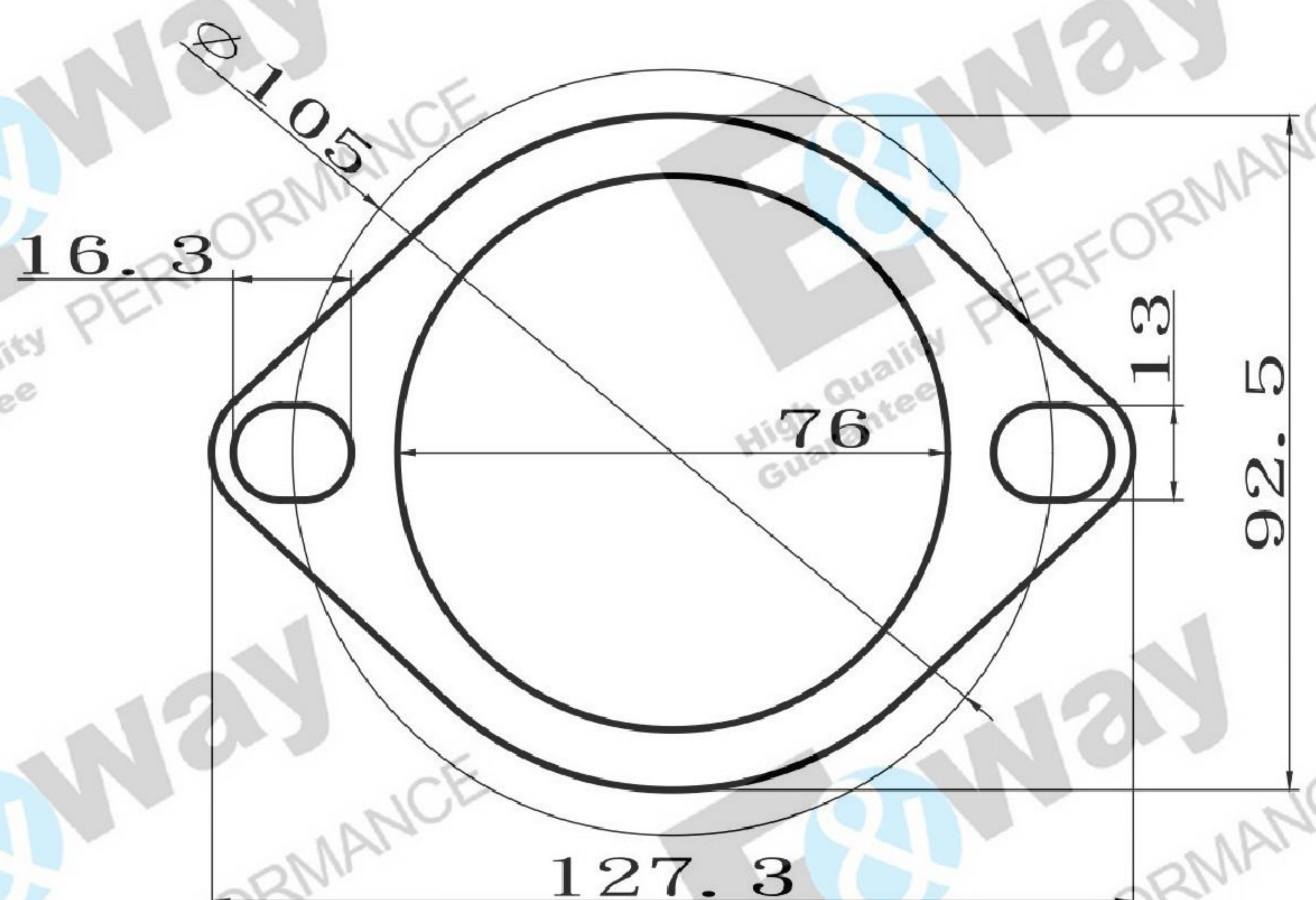
Inside Diameter(ID)=65/mm(2.55")
 Bolt Circle=97.7/mm(3.84")
 Bolt Hole=14.8/mm(0.58")
 Thickness=1.6~2.0/mm(0.06"~0.08")
 Material:Steel(Mixed Asbestos Free)+Stainless Steel(Hole)

EP2-019



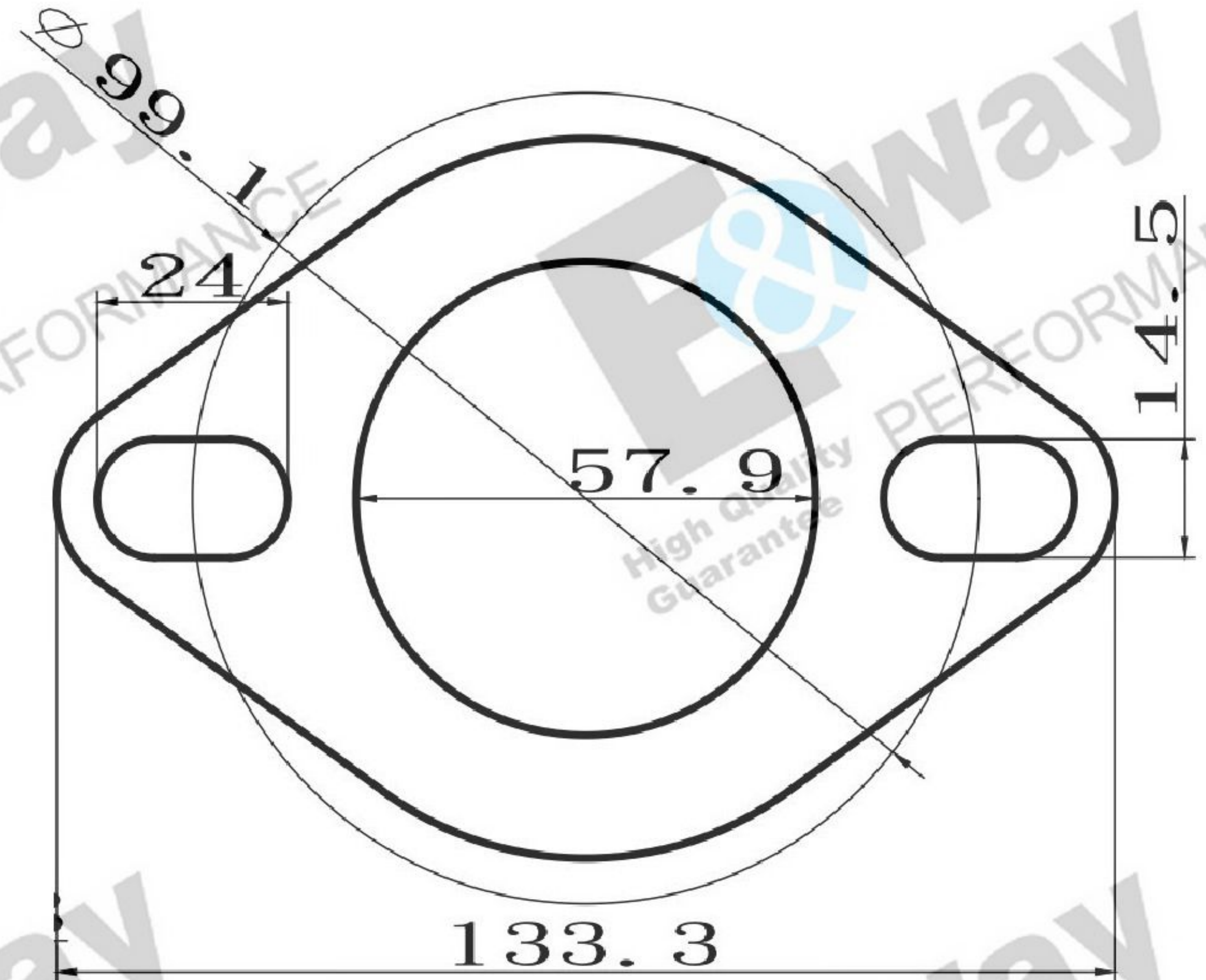
Inside Diameter(ID)=102/mm(4.01")
 Bolt Circle=127.3/mm(5.01")
 Bolt Hole=11.3/mm(0.44")
 Thickness=1.6~2.0/mm(0.06"~0.08")
 Material:Steel(Mixed Asbestos Free)+Stainless Steel(Hole)

EP2-020



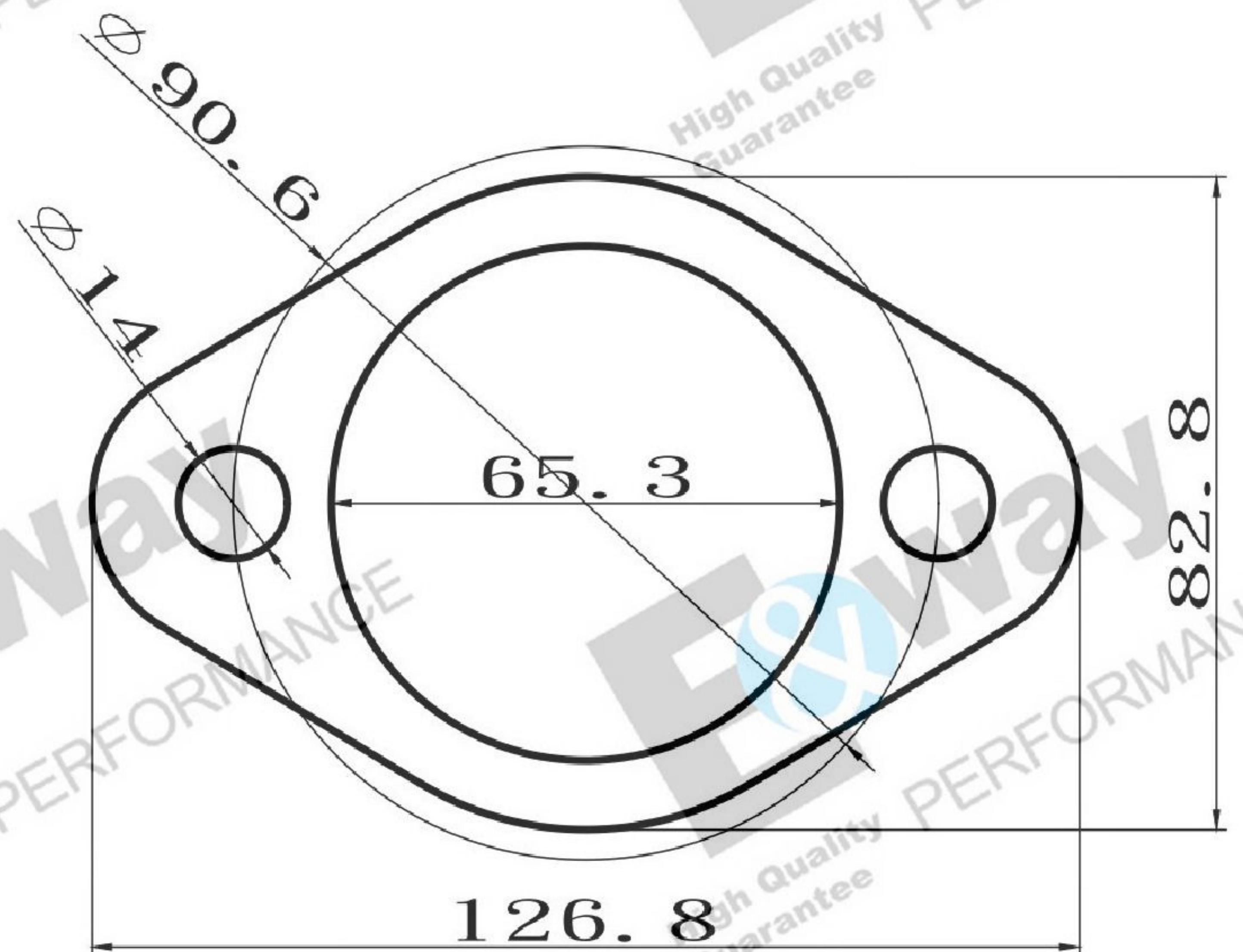
Inside Diameter(ID)=76/mm(2.99")
 Bolt Circle=105/mm(4.13")
 Bolt Hole=13/mm(0.51")
 Thickness=1.6~2.0/mm(0.06"~0.08")
 Material:Steel(Mixed Asbestos Free)+Stainless Steel(Hole)

EP2-021



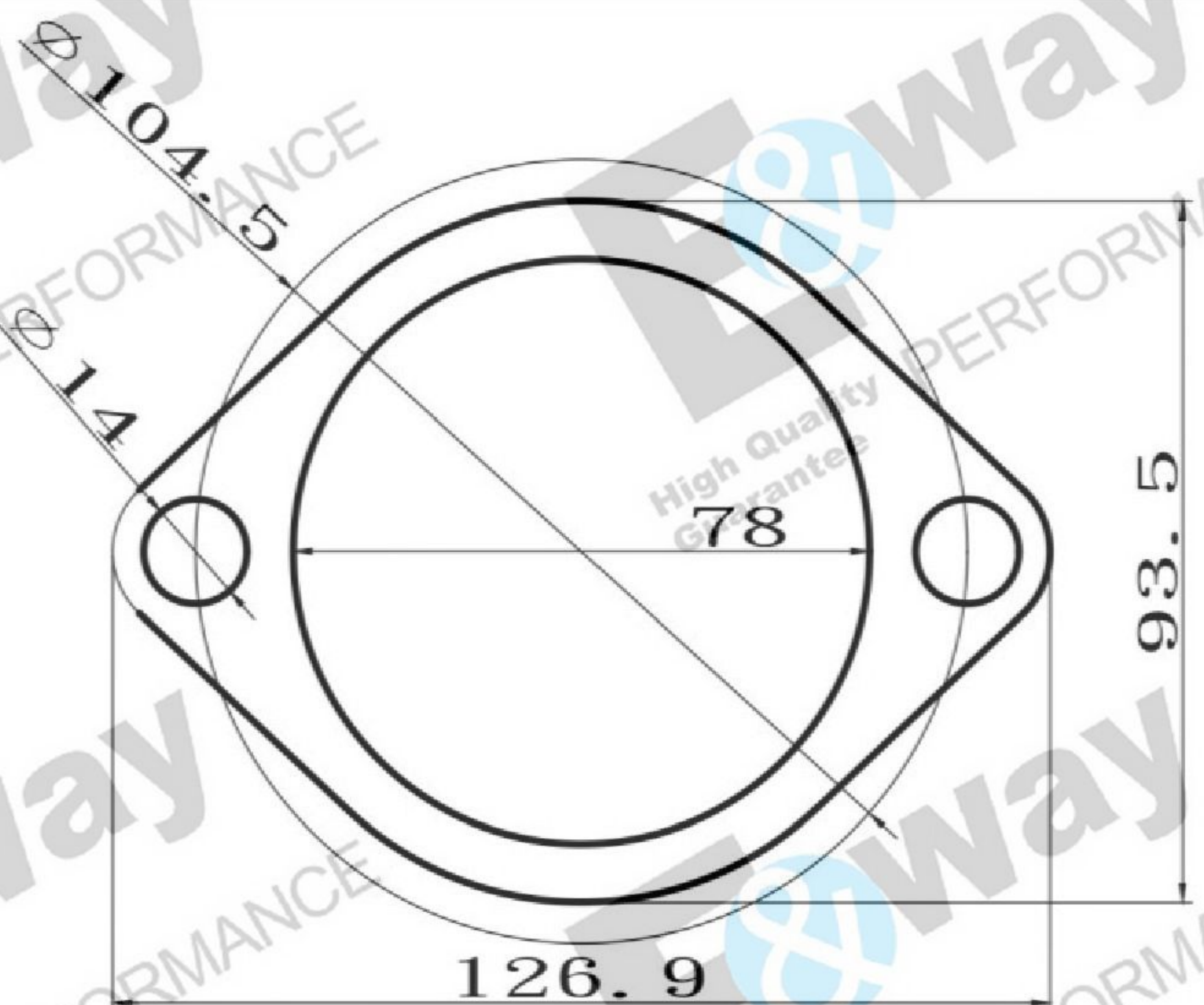
Inside Diameter(ID)=57.9/mm(2.27")
 Bolt Circle=99.1/mm(3.90)
 Bolt Hole=14.5/mm(0.57")
 Thickness=1.6~2.0/mm(0.06"~0.08")
 Material:Steel(Mixed Asbestos Free)+Stainless Steel(Hole)

EP2-022



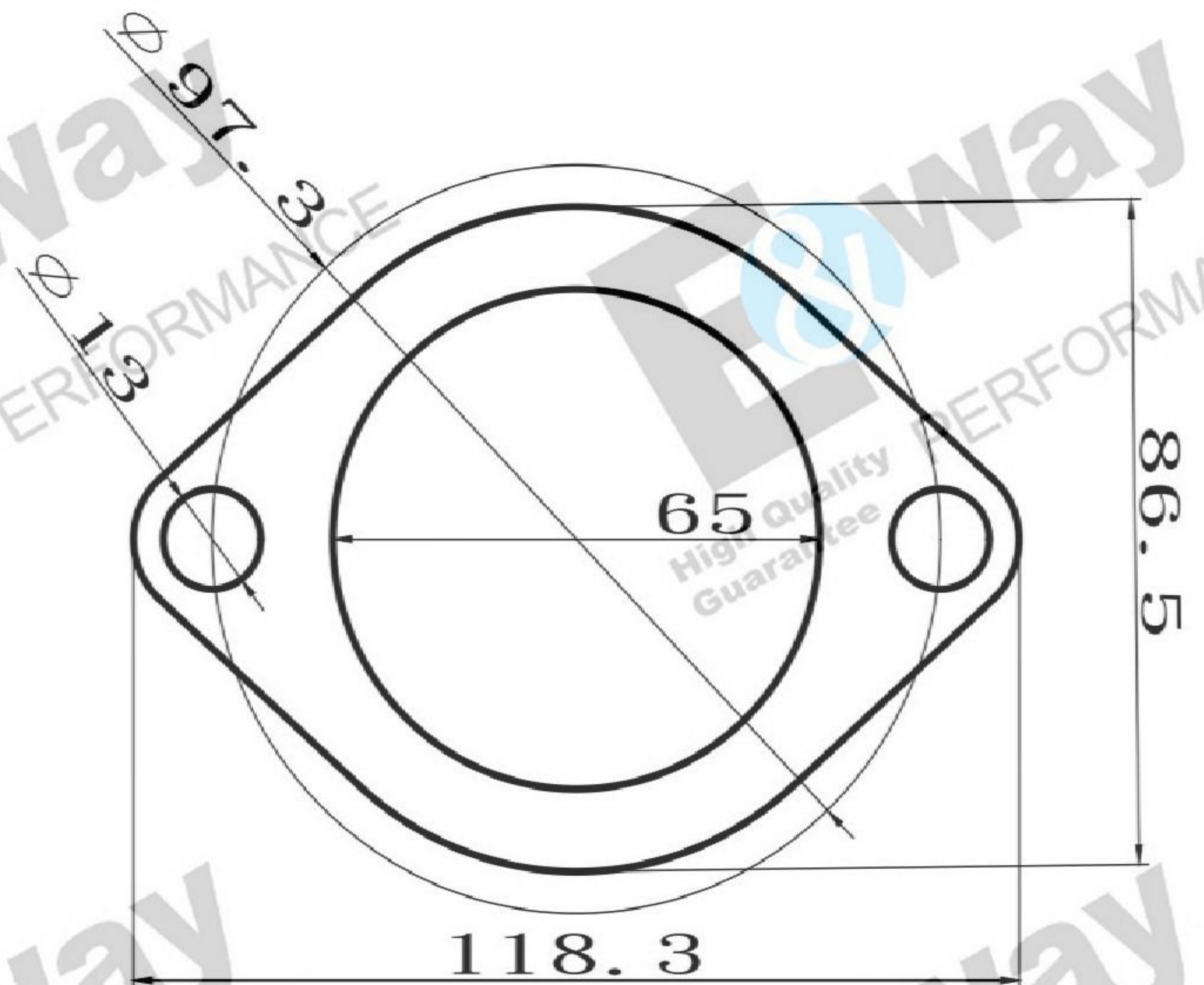
Inside Diameter(ID)=65.3/mm(2.57")
 Bolt Circle=90.6/mm(3.56")
 Bolt Hole=14/mm(0.55")
 Thickness=1.6~2.0/mm(0.06"~0.08")
 Material:Steel(Mixed Asbestos Free)+Stainless Steel(Hole)

EP2-023



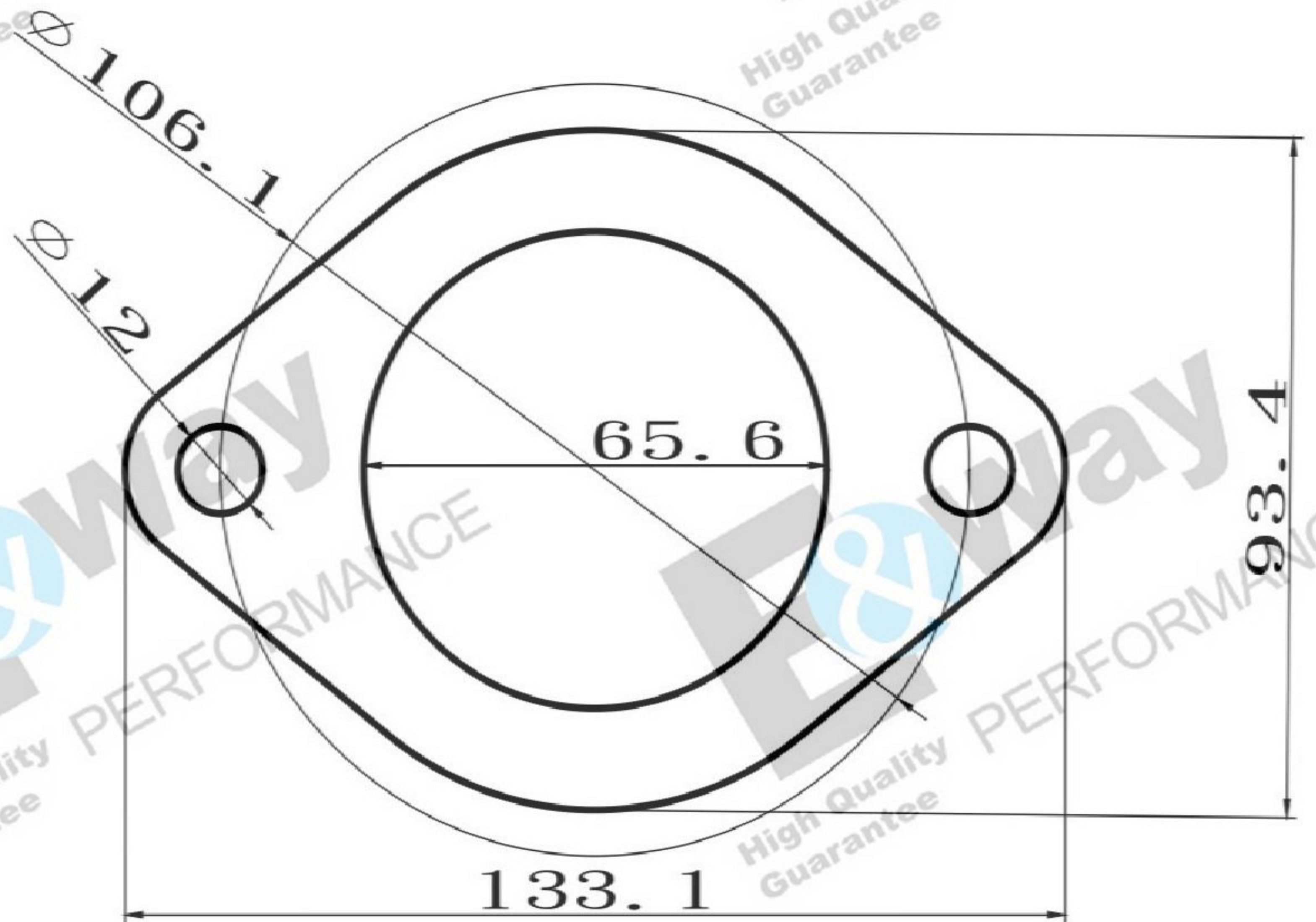
Inside Diameter(ID)=78/mm(3.07")
 Bolt Circle=104.5/mm(4.11")
 Bolt Hole=14/mm(0.55")
 Thickness=1.6~2.0/mm(0.06"~0.08")
 Material:Steel(Mixed Asbestos Free)+Stainless Steel(Hole)

EP2-024



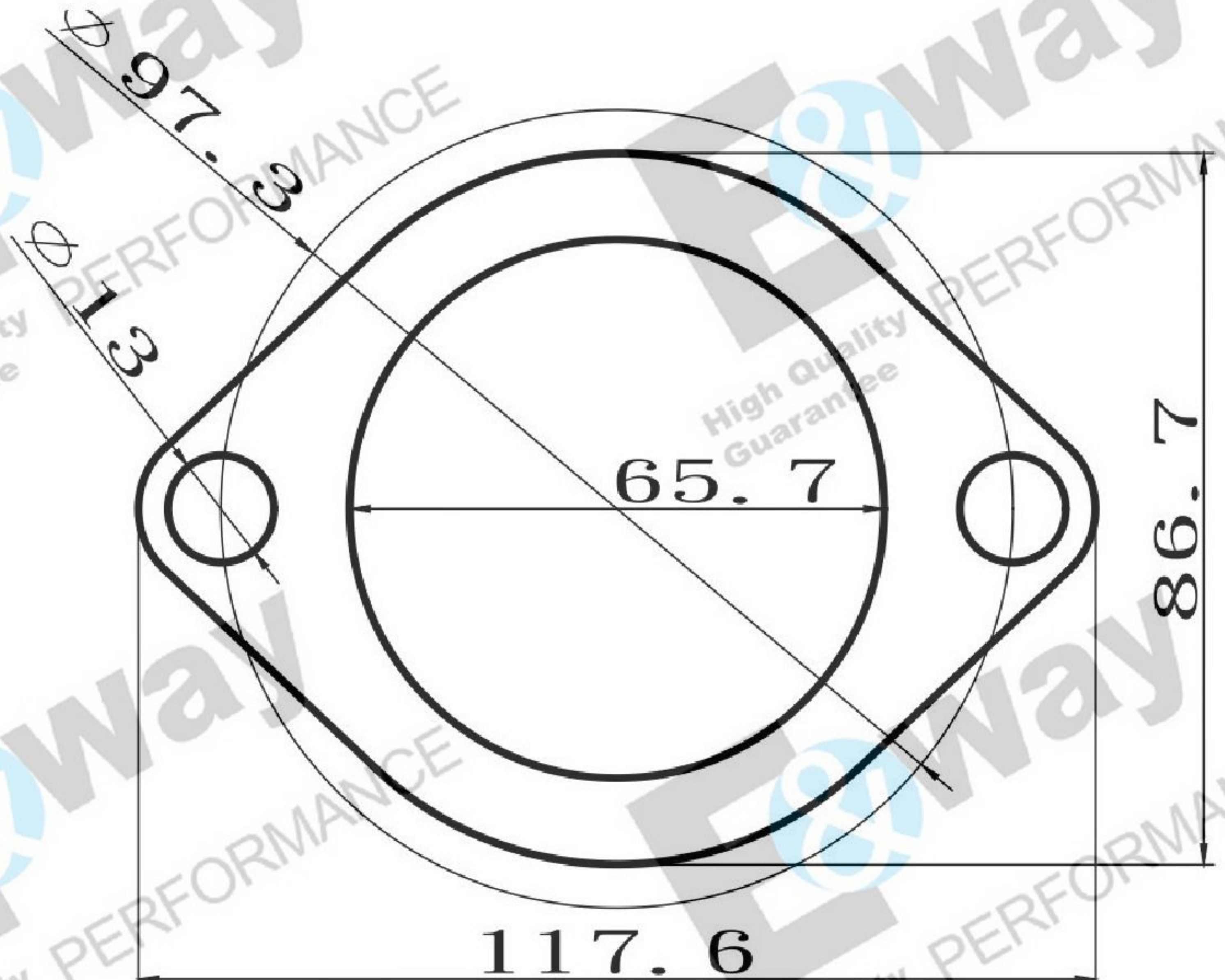
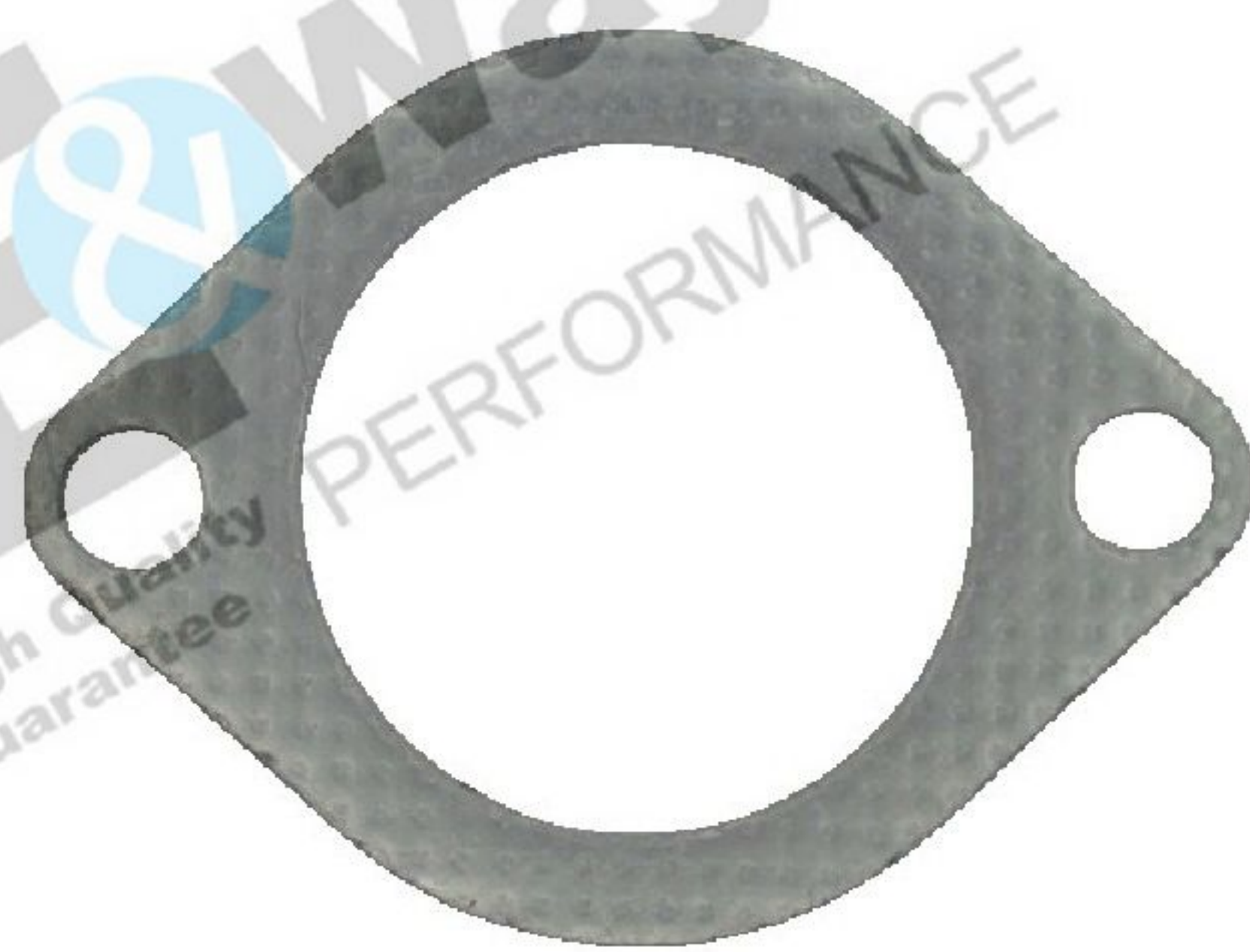
Inside Diameter(ID)=65/mm(2.55")
 Bolt Circle=97.3/mm(3.83")
 Bolt Hole=13/mm(0.51")
 Thickness=1.6~2.0/mm(0.06"~0.08")
 Material:Steel(Mixed Asbestos Free)+Stainless Steel(Hole)

EP2-025



Inside Diameter(ID)=65.6/mm(2.58")
 Bolt Circle=106.1/mm(4.17")
 Bolt Hole=12/mm(0.47")
 Thickness=1.6~2.0/mm(0.06"~0.08")
 Material:Graphite(Mixed Steel)

EP2-026

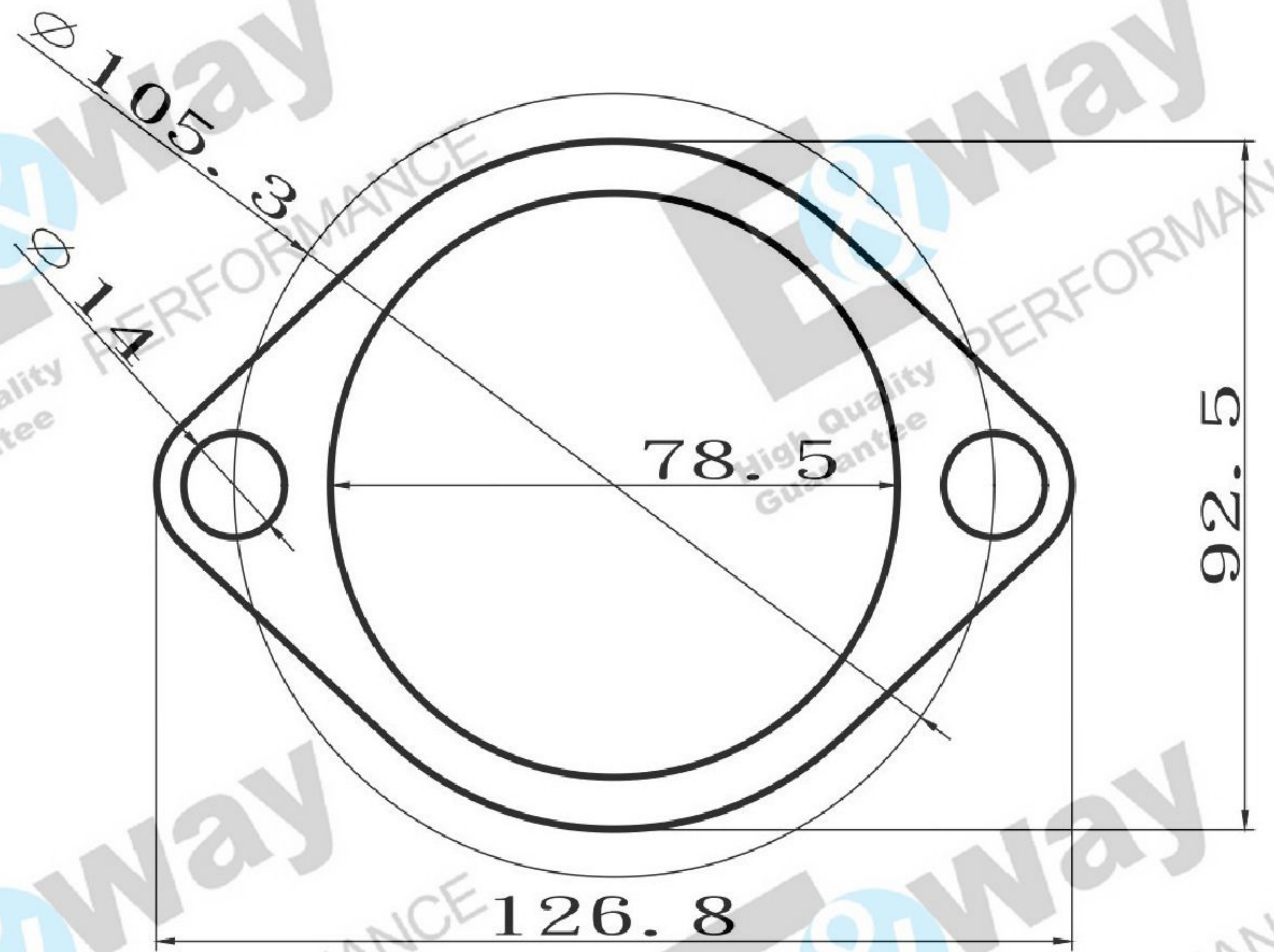


Inside Diameter(ID)=65.7/mm(2.58")
 Bolt Circle=97.3/mm(3.83")
 Bolt Hole=13/mm(0.51")
 Thickness=1.6~2.0/mm(0.06"~0.08")
 Material:Graphite(Mixed Steel)

EP2-027

2-Bolt Exhaust Flange/Muffler/Pipe Gasket P10

P10



Inside Diameter(ID)=78.5/mm(3.09")

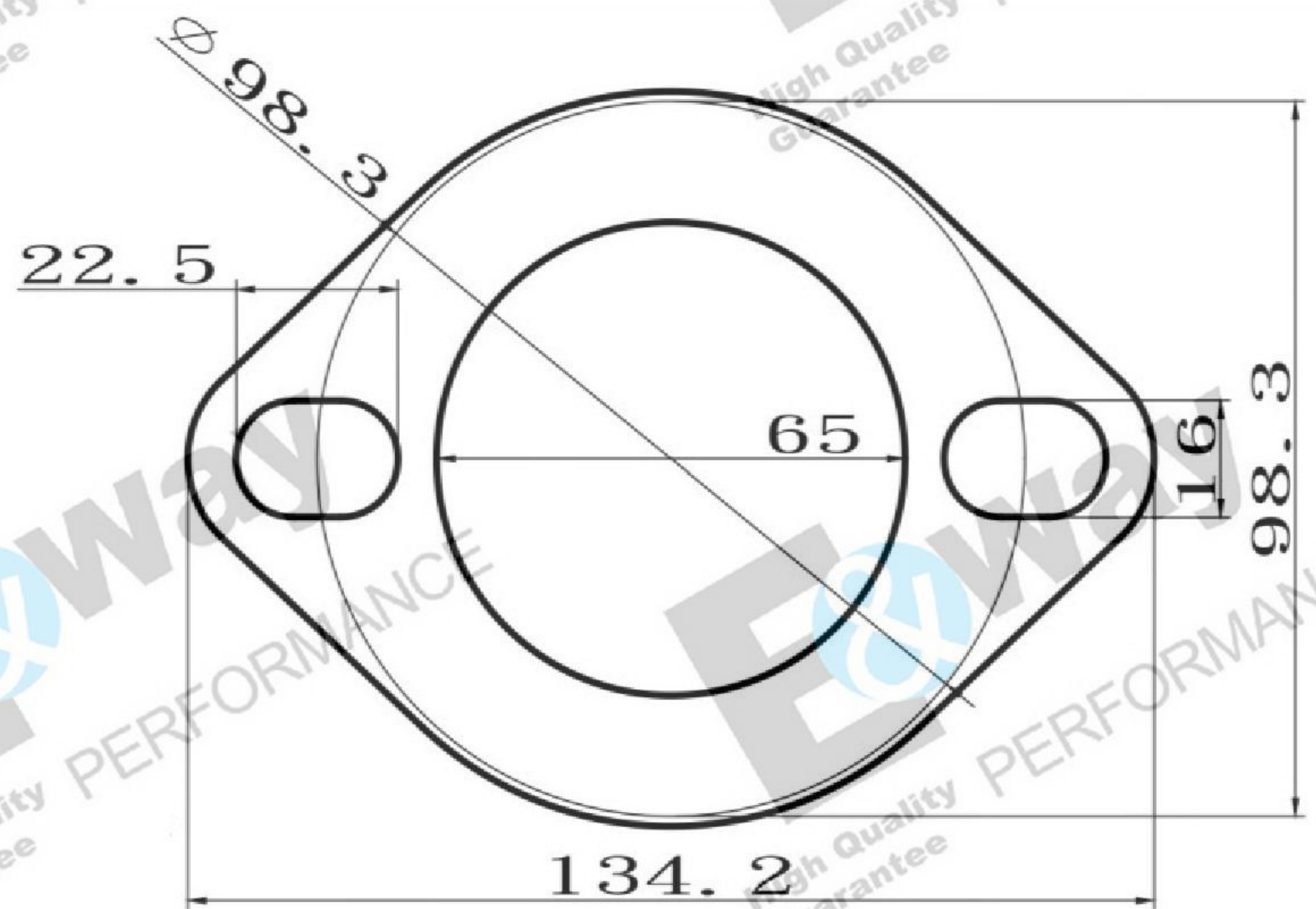
Bolt Circle=105.3/mm(4.14")

Bolt Hole=14/mm(0.55")

Thickness=1.6~2.0/mm(0.06"~0.08")

Material:Graphite(Mixed Steel)

EP2-028



Inside Diameter(ID)=65/mm(2.55")

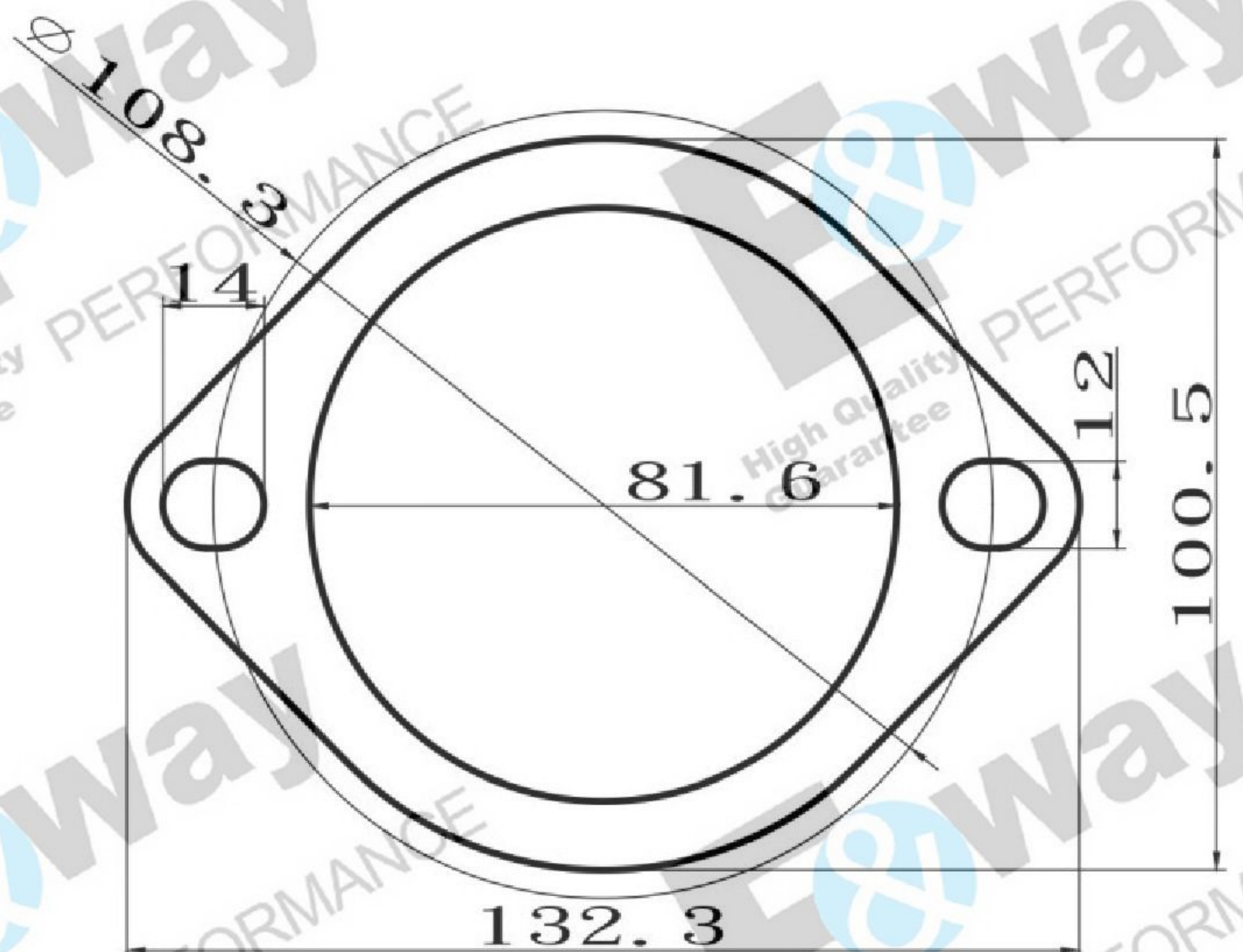
Bolt Circle=98.3/mm(3.87")

Bolt Hole=16/mm(0.62")

Thickness=1.6~2.0/mm(0.06"~0.08")

Material:Steel(Mixed Asbestos Free)+Stainless Steel(Hole)

EP2-029



Inside Diameter(ID)=81.6/mm(3.21")

Bolt Circle=108.3/mm(4.26")

Bolt Hole=12/mm(0.47")

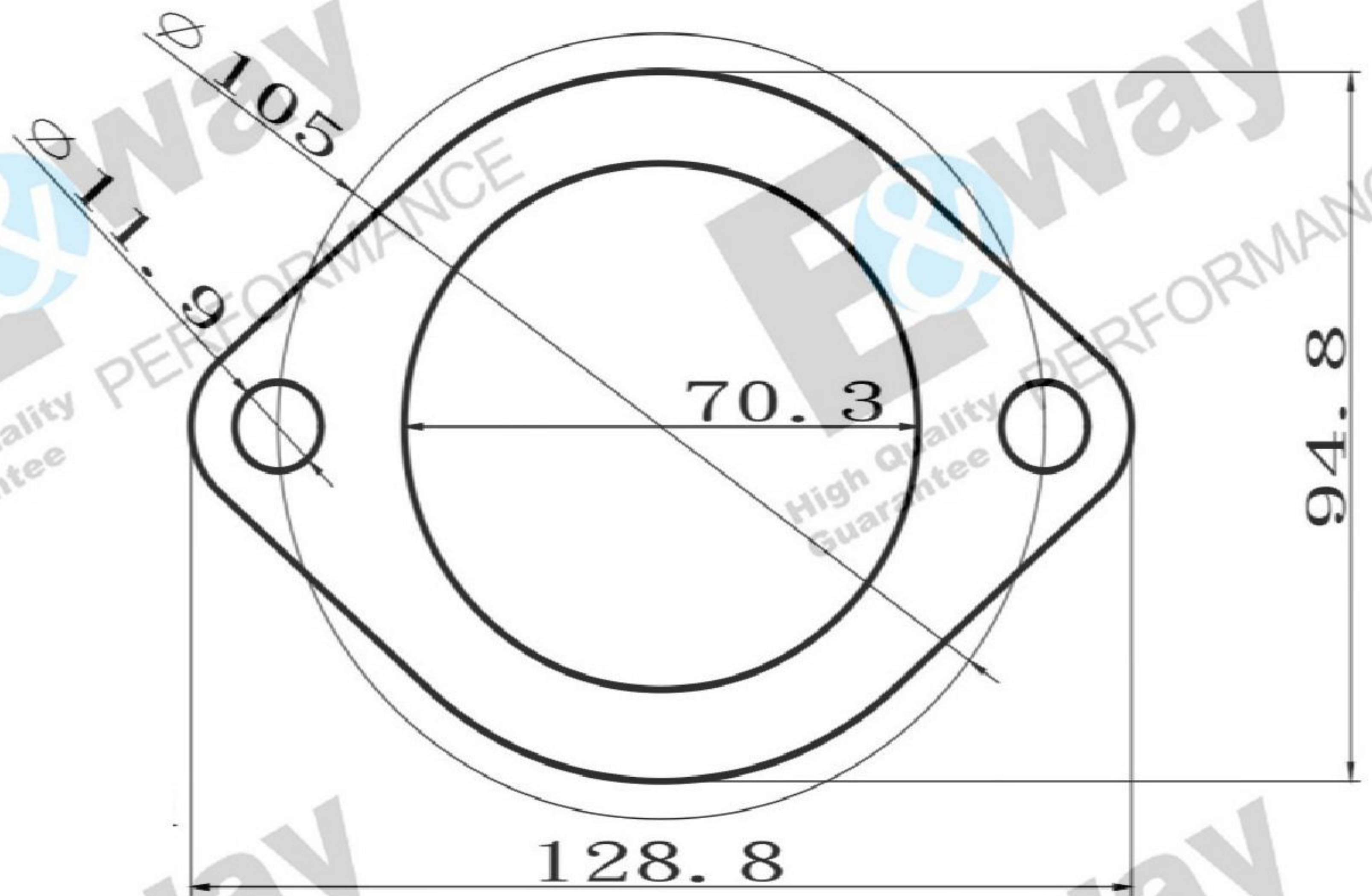
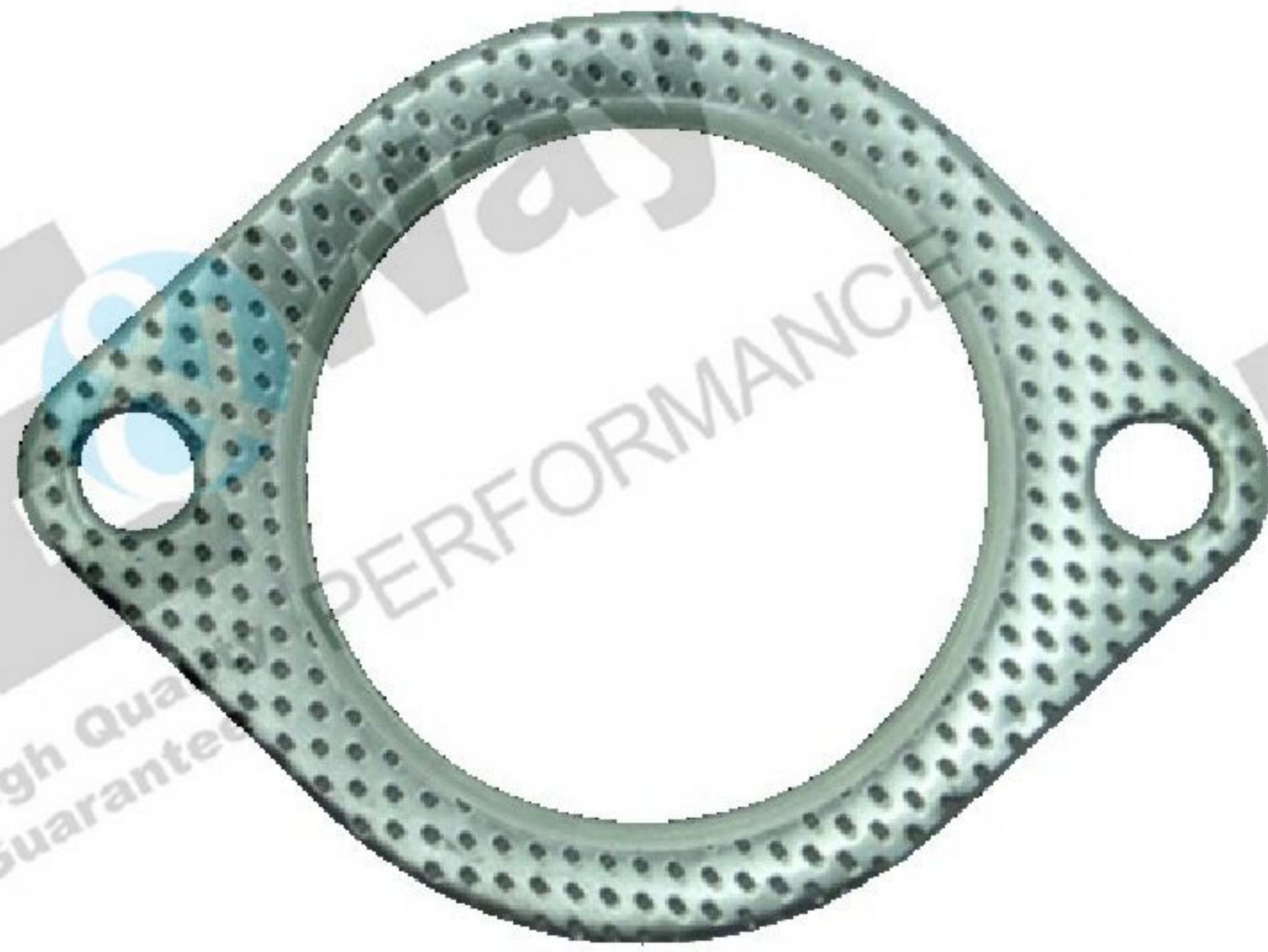
Thickness=1.6~2.0/mm(0.06"~0.08")

Material:Steel(Mixed Asbestos Free)+Stainless Steel(Hole)

EP2-030

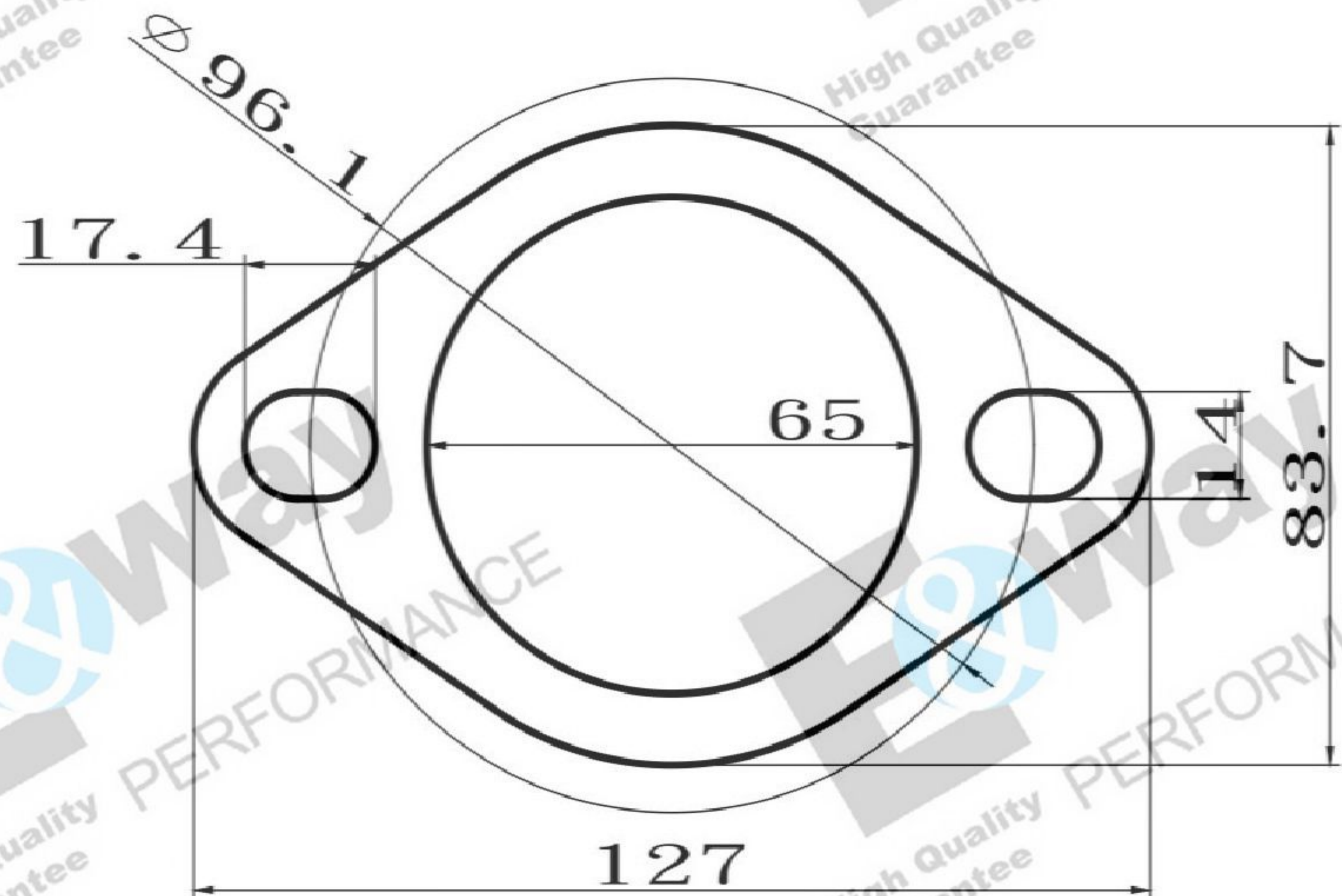
2-Bolt Exhaust Flange/Muffler/Pipe Gasket P11

P11



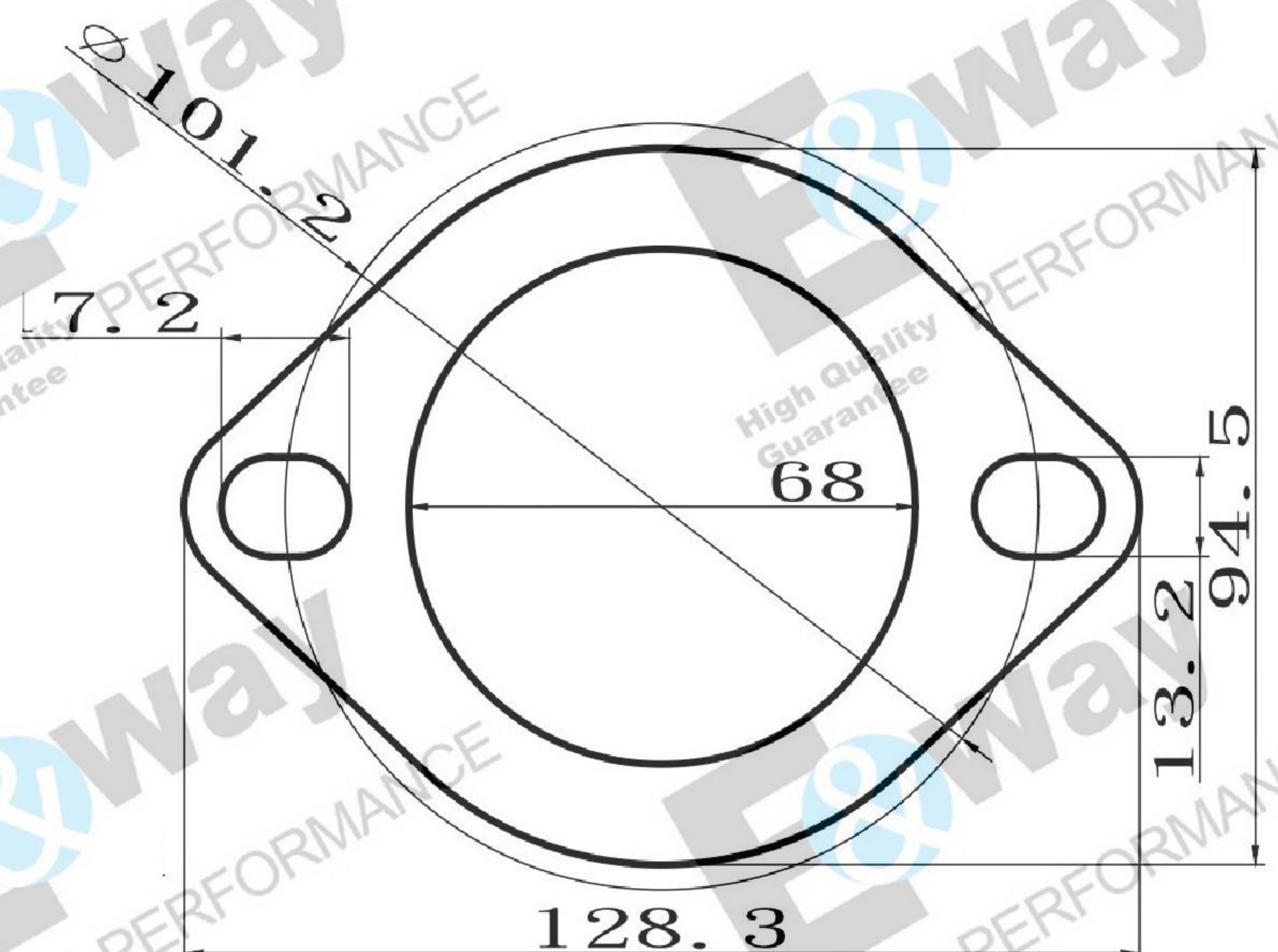
Inside Diameter(ID)=70.3/mm(2.76")
 Bolt Circle=105/mm(4.13")
 Bolt Hole=11.9/mm(0.46")
 Thickness=1.6~2.0/mm(0.06"~0.08")
 Material:Steel(Mixed Asbestos Free)+Stainless Steel(Hole)

EP2-031



Inside Diameter(ID)=65/mm(2.55")
 Bolt Circle=96.1/mm(3.78")
 Bolt Hole=14/mm(0.55")
 Thickness=1.6~2.0/mm(0.06"~0.08")
 Material:Steel(Mixed Asbestos Free)+Stainless Steel(Hole)

EP2-032

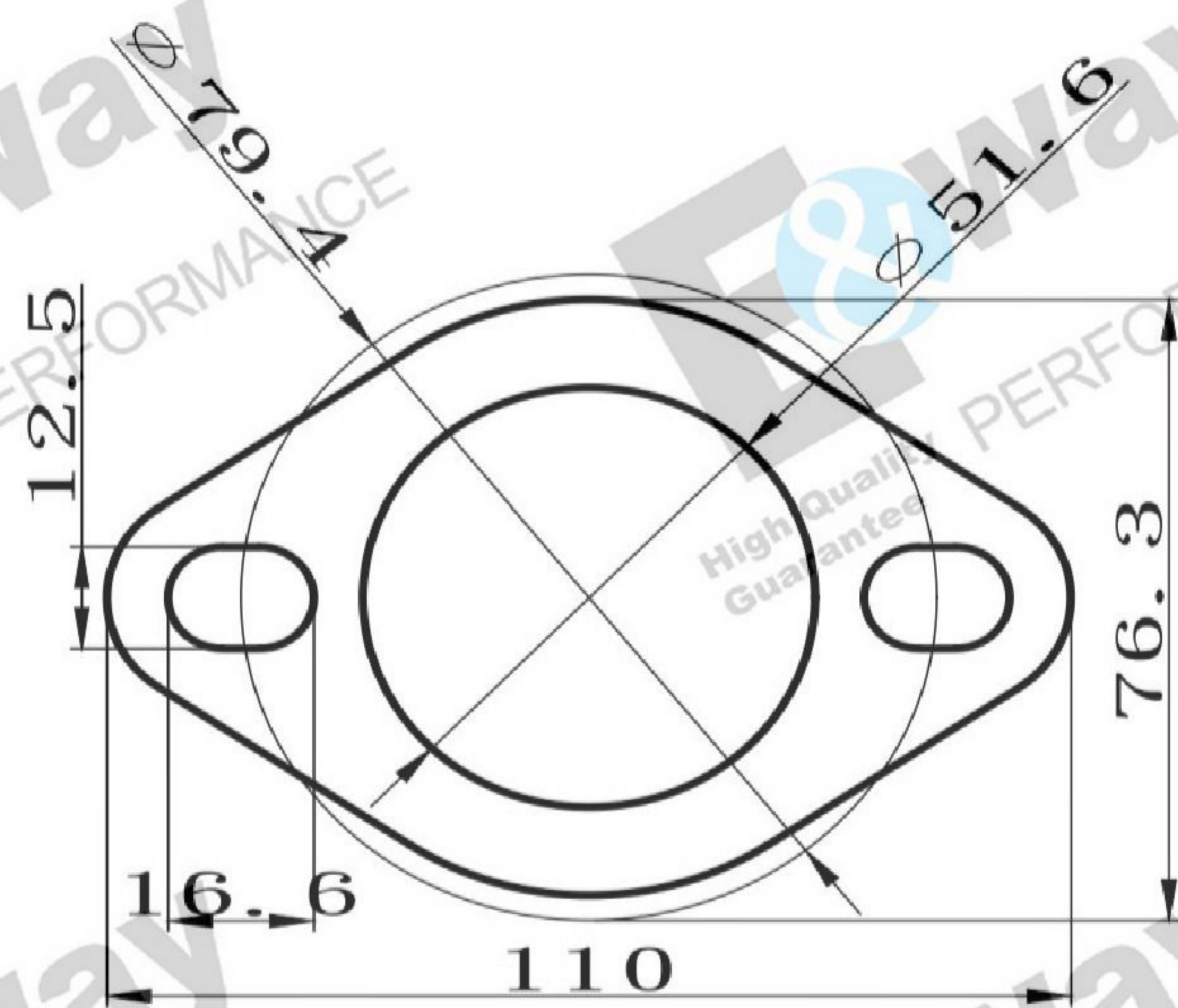


Inside Diameter(ID)=68/mm(2.67")
 Bolt Circle=101.2/mm(3.98")
 Bolt Hole=13.2/mm(0.51")
 Thickness=1.6~2.0/mm(0.06"~0.08")
 Material:Graphite(Mixed Steel)

EP2-033

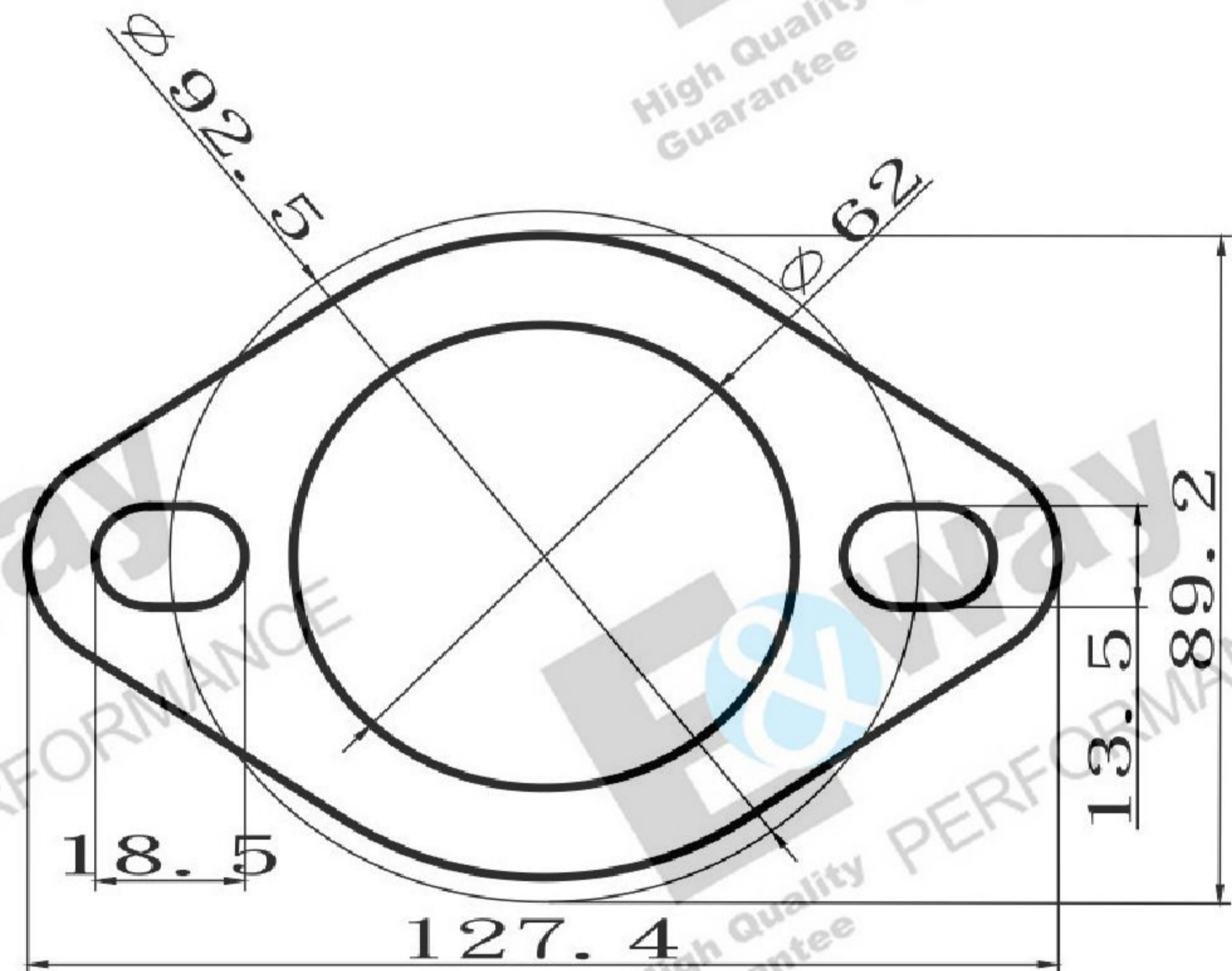
2-Bolt Exhaust Flange/Muffler/Pipe Gasket P12

P12



Inside Diameter(ID)=51.6/mm(2.03")
Bolt Circle=79.4/mm(3.13")
Bolt Hole=12.5/mm(0.49")
Thickness=1.6~2.0/mm(0.06"~0.08")
Material:Steel(Mixed Asbestos Free)+Stainless Steel(Hole)

EP2-034



Inside Diameter(ID)=62/mm(2.44")
Bolt Circle=92.5/mm(3.64")
Bolt Hole=13.5/mm(0.53")
Thickness=1.6~2.0/mm(0.06"~0.08")
Material:Steel(Mixed Asbestos Free)+Stainless Steel(Hole)

EP2-035