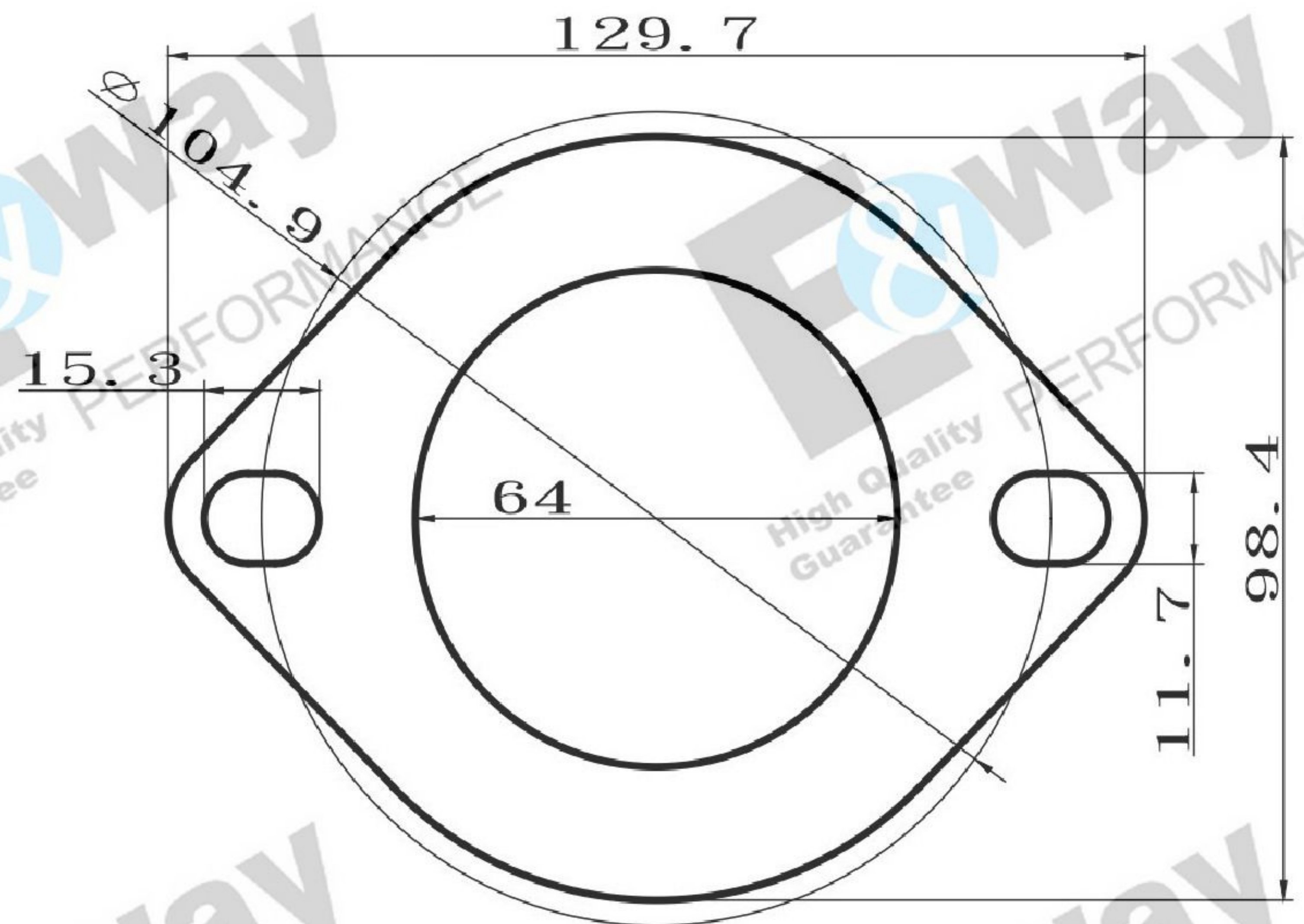


2-Bolt Exhaust Flange/Muffler/Pipe Gasket P1

P1



Inside Diameter(ID)=64/mm(2.51")

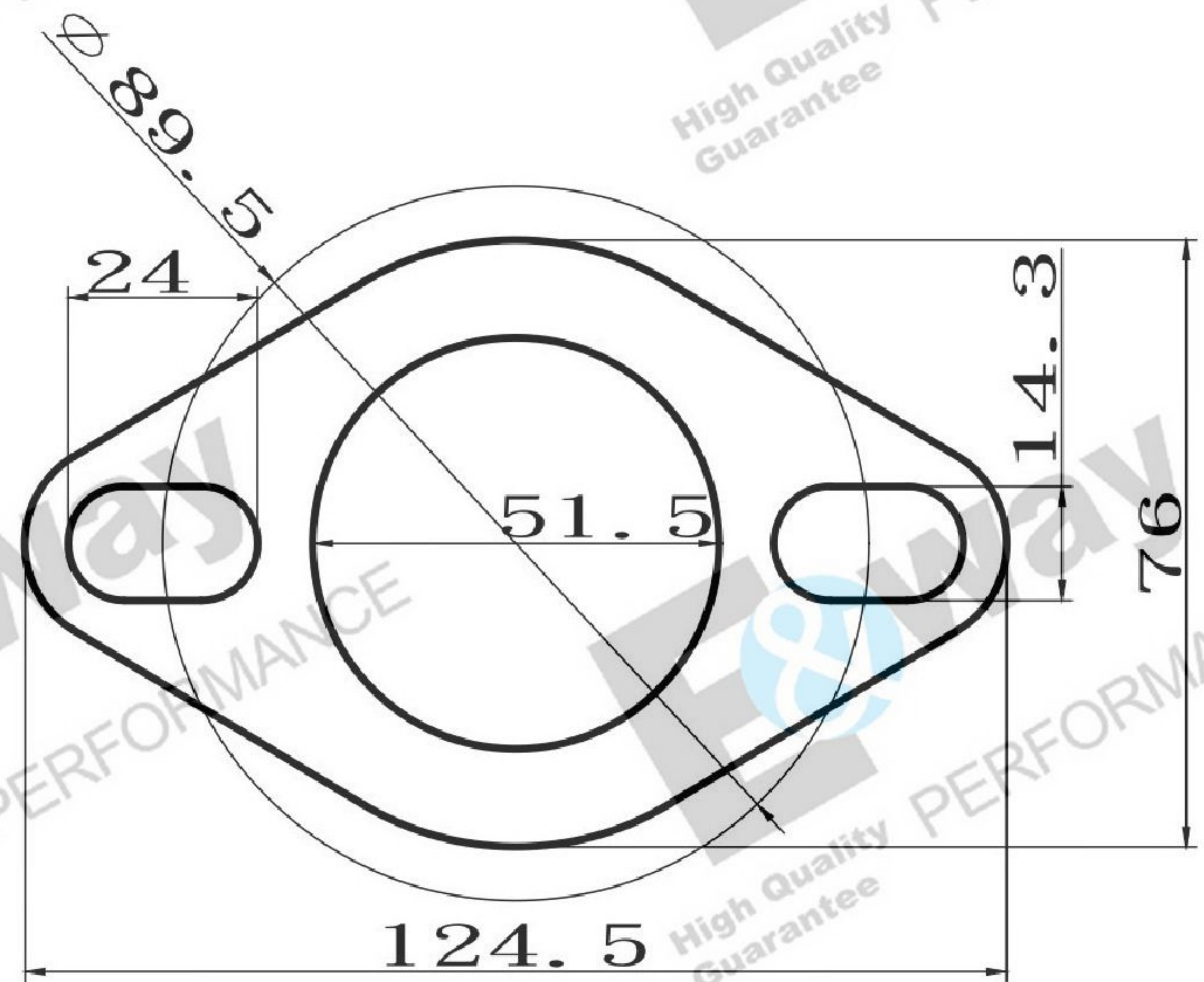
Bolt Circle=104.9/mm(4.12")

Bolt Hole=11.7/mm(0.46")

Thickness=1.6~2.0/mm(0.06"~0.08")

Material:Steel(Mixed Asbestos Free)+Stainless Steel(Hole)

EP2-001



Inside Diameter(ID)=51.5/mm(2.02")

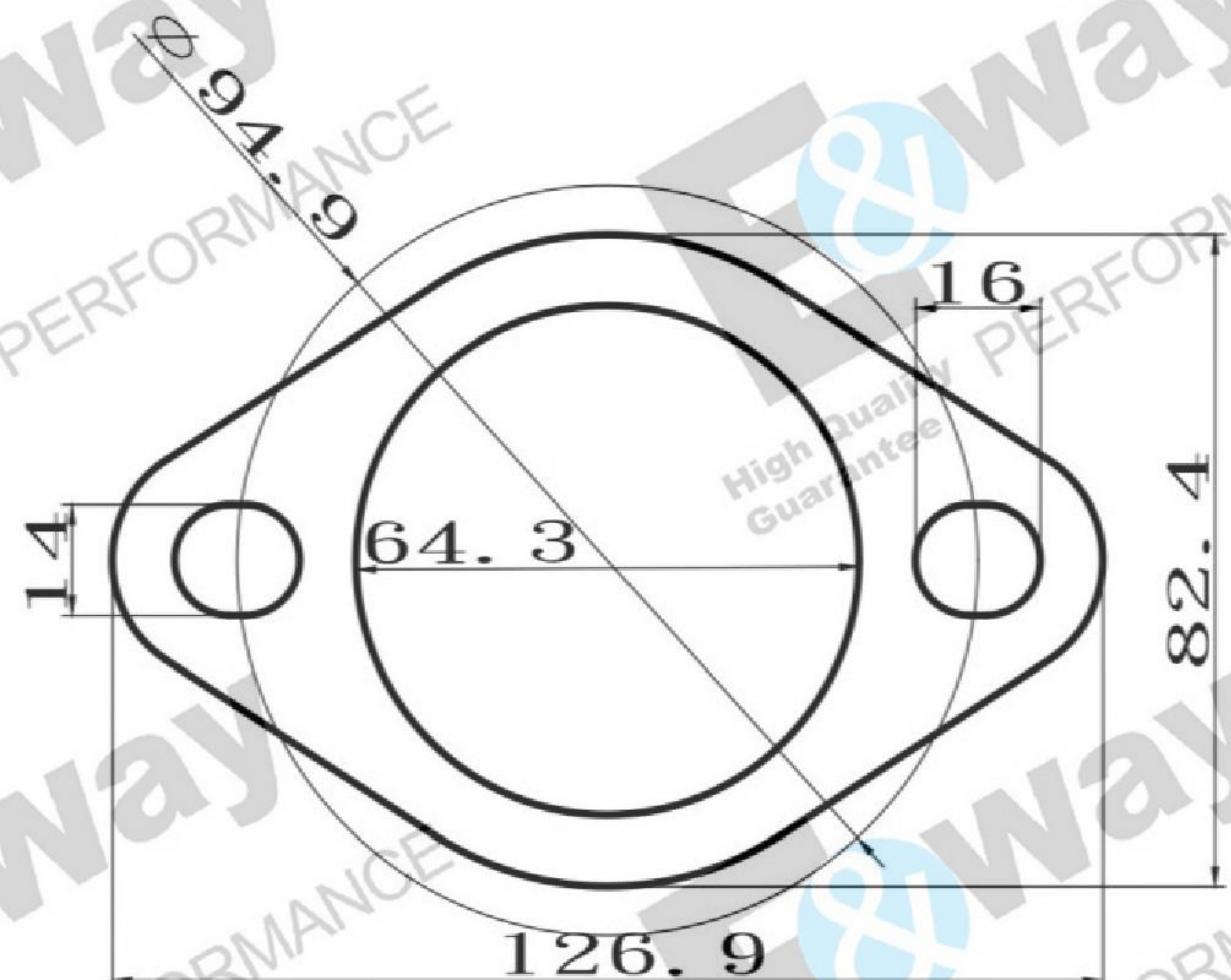
Bolt Circle=89.5/mm(3.52")

Bolt Hole=14.3/mm(0.56")

Thickness=1.6~2.0/mm(0.06"~0.08")

Material:Steel(Mixed Asbestos Free)+Stainless Steel(Hole)

EP2-002



Inside Diameter(ID)=64.3/mm(2.53")

Bolt Circle=94.9/mm(3.73")

Bolt Hole=14/mm(0.55")

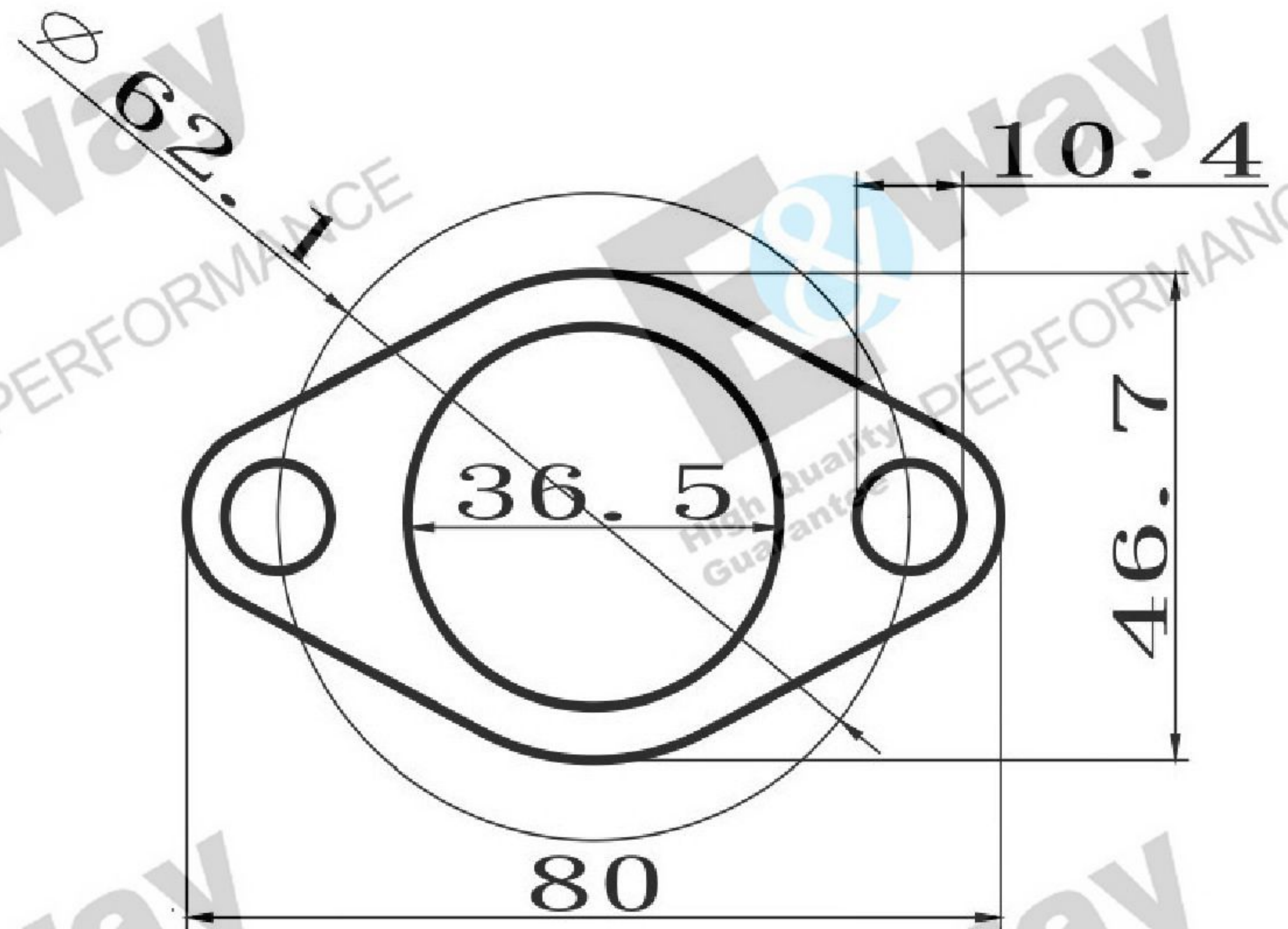
Thickness=1.6~2.0/mm(0.06"~0.08")

Material:Steel(Mixed Asbestos Free)+Stainless Steel(Hole)

EP2-003

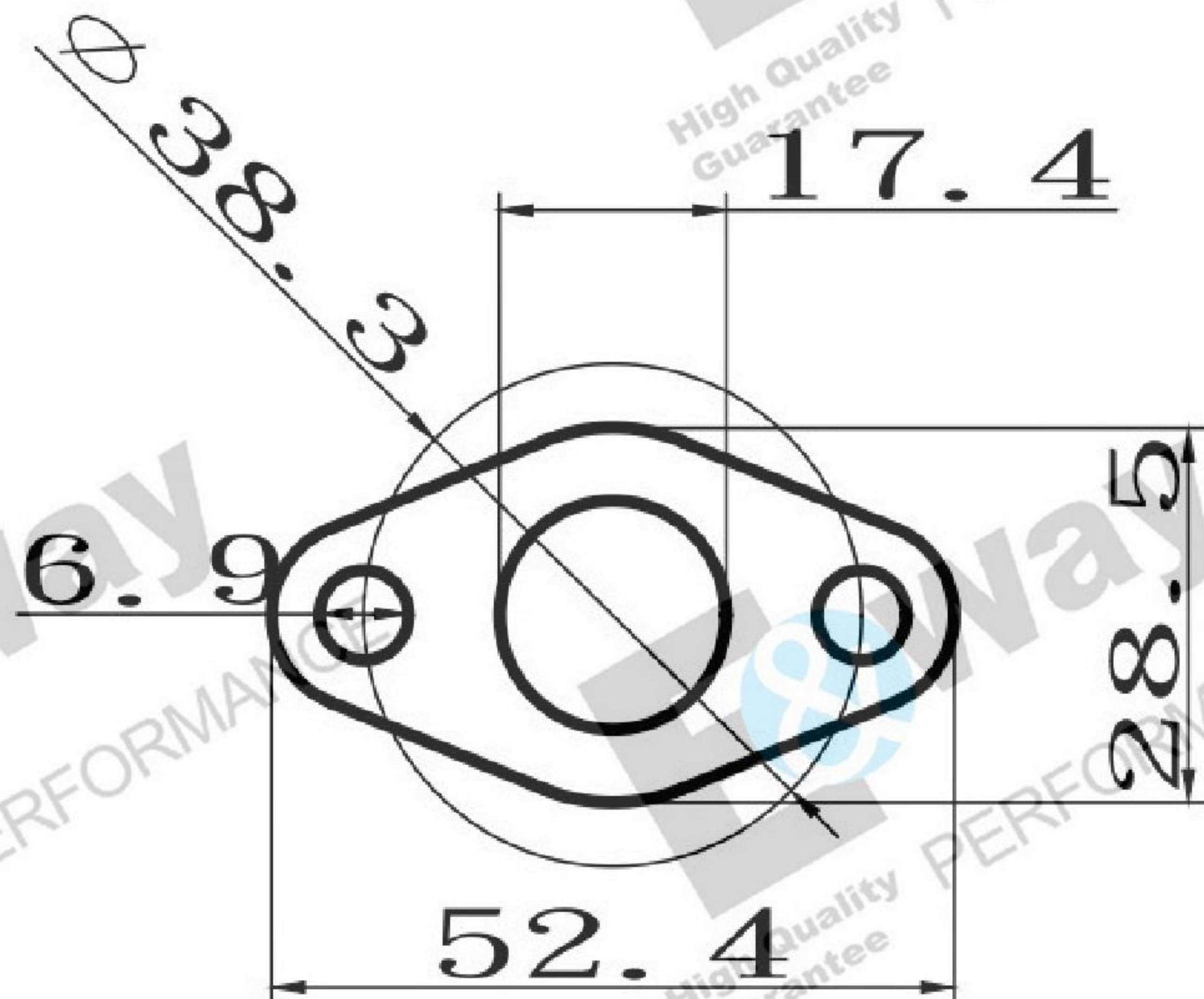
2-Bolt Exhaust Flange/Muffler/Pipe Gasket P2

P2



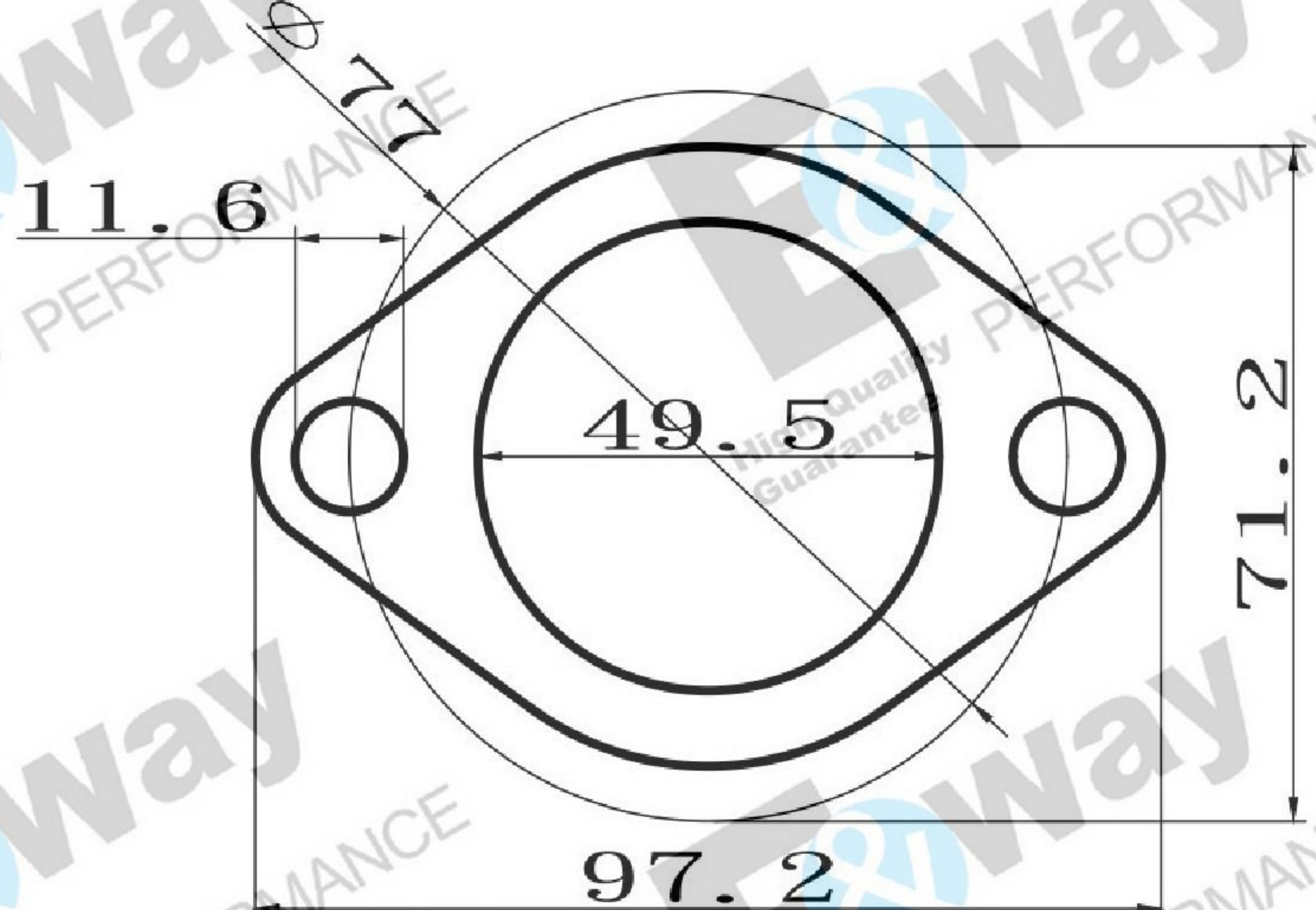
Inside Diameter(ID)=36.5/mm(1.44")
 Bolt Circle=62.1/mm(2.44")
 Bolt Hole=10.4/mm(0.41")
 Thickness=1.6~2.0/mm(0.06"~0.08")
 Material:Graphite(Mixed Steel)+Stainless Steel(Hole)

EP2-004



Inside Diameter(ID)=17.4/mm(0.68")
 Bolt Circle=38.3/mm(1.51")
 Bolt Hole=6.9/mm(0.27")
 Thickness=1.3/mm(0.05")
 Material:Graphite(Mixed Steel)+Stainless Steel(Hole)

EP2-005

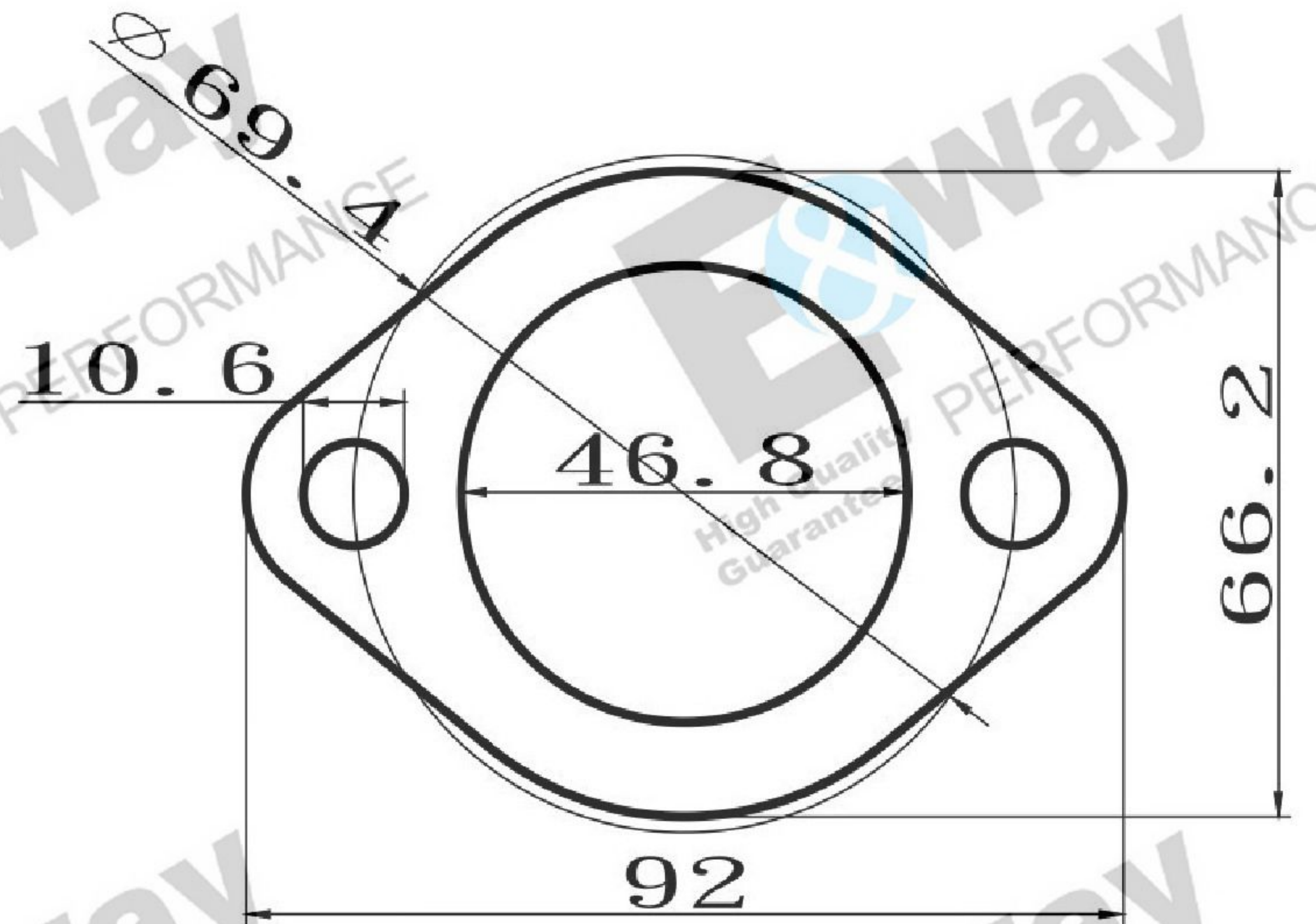
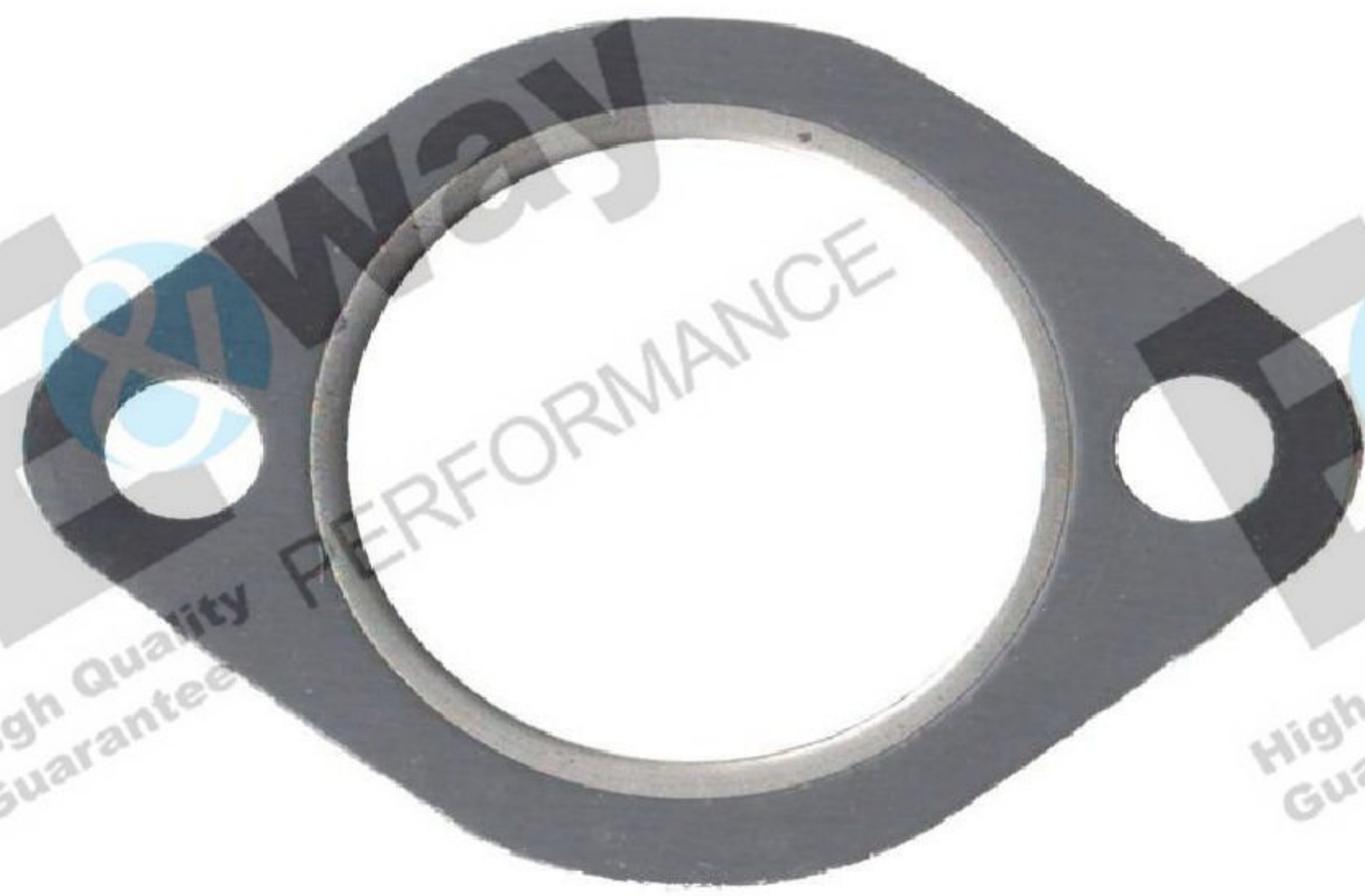


Inside Diameter(ID)=49.5/mm(1.94")
 Bolt Circle=77/mm(3.03")
 Bolt Hole=11.6/mm(0.45")
 Thickness=1.6~2.0/mm(0.06"~0.08")
 Material:Graphite(Mixed Steel)+Stainless Steel(Hole)+Copper+Steel(MoS2 Coated)

EP2-006

2-Bolt Exhaust Flange/Muffler/Pipe Gasket P3

P3



Inside Diameter(ID)=46.8/mm(1.84")

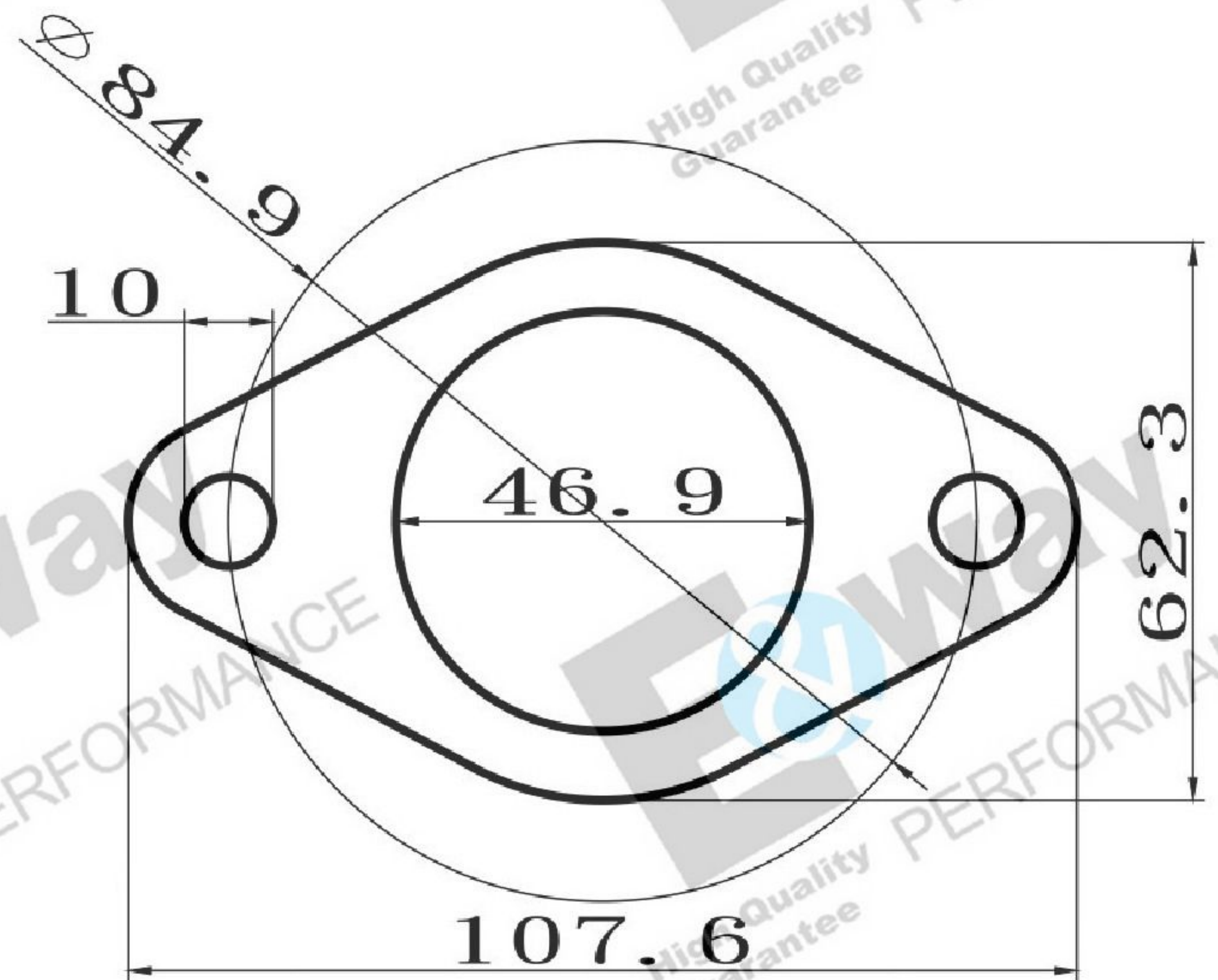
Bolt Circle=69.4/mm(2.73")

Bolt Hole=10.6/mm(0.41")

Thickness=1.6~2.0/mm(0.06"~0.08")

Material:Graphite(Mixed Steel)+Stainless Steel(Hole)+Steel(MoS2 Coated)

EP2-007



Inside Diameter(ID)=46.9/mm(1.84")

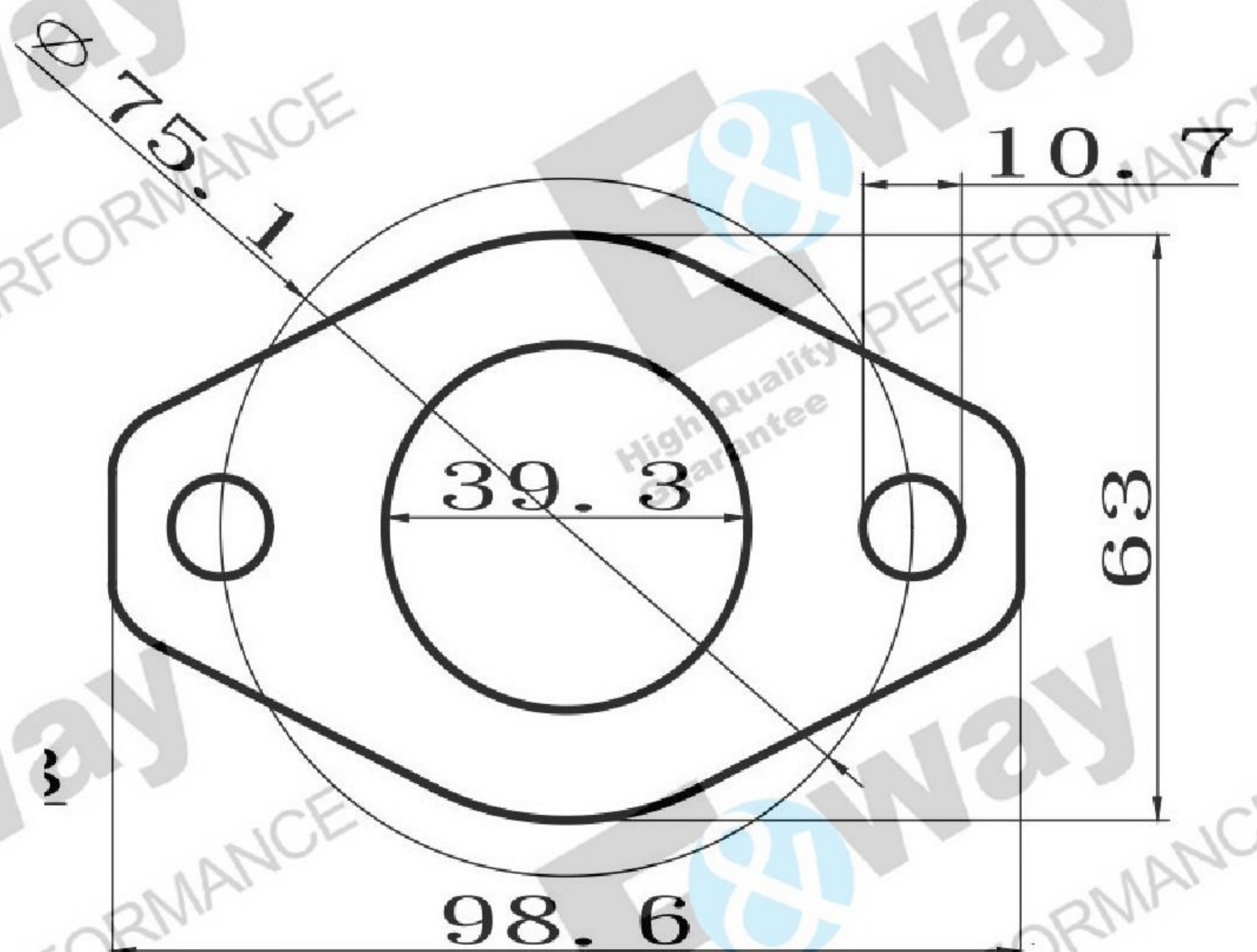
Bolt Circle=84.9/mm(3.34")

Bolt Hole=10/mm(0.39")

Thickness=1.6~2.0/mm(0.06"~0.08")

Material:Graphite(Mixed Steel)+Stainless Steel(Hole)+Steel(MoS2 Coated)

EP2-008



Inside Diameter(ID)=39.3/mm(1.54")

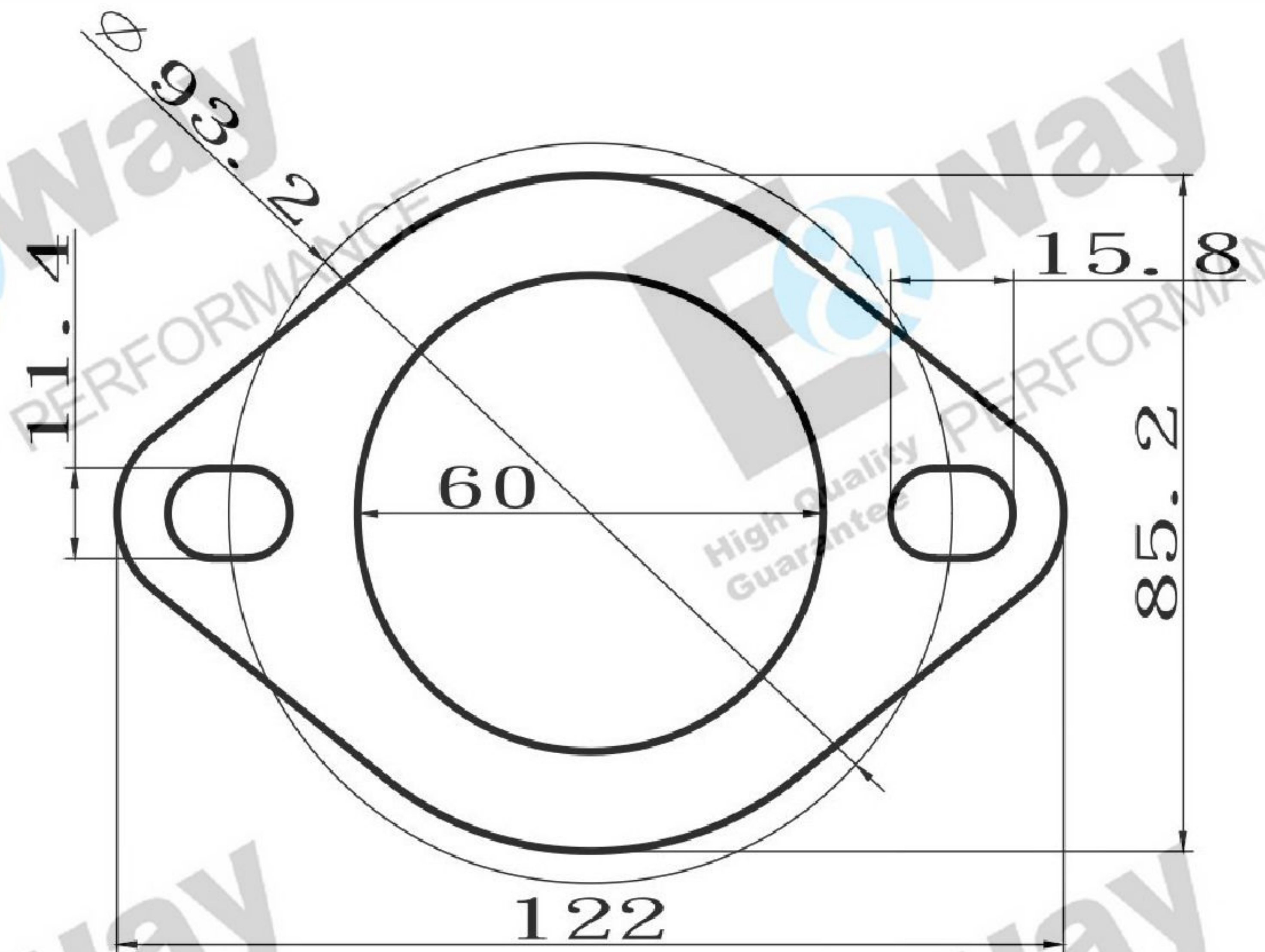
Bolt Circle=75.1/mm(2.95")

Bolt Hole=10.7/mm(0.42")

Thickness=1.6~2.0/mm(0.06"~0.08")

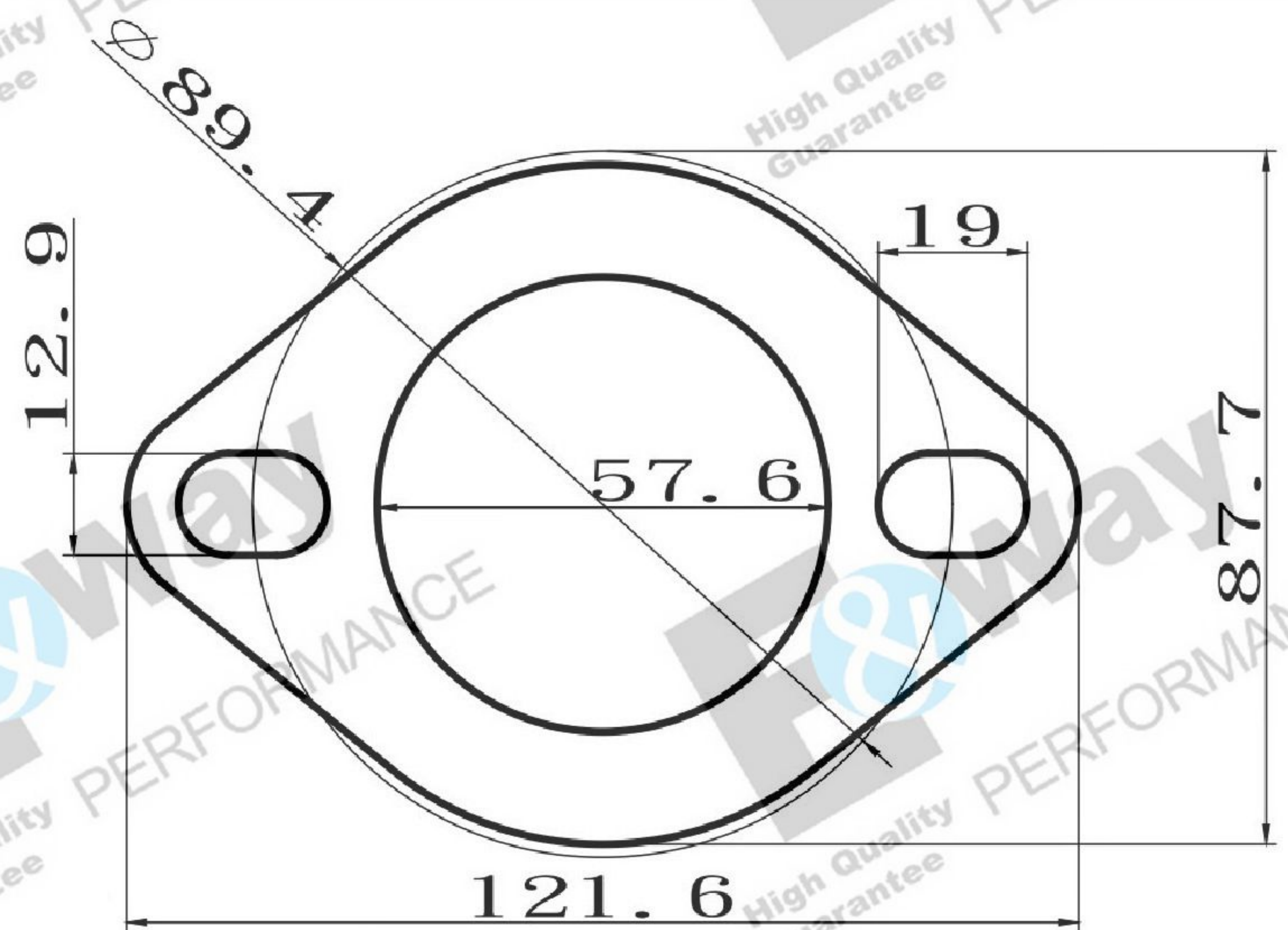
Material:Steel(Mixed Asbestos Free)+Stainless Steel(Hole)

EP2-009



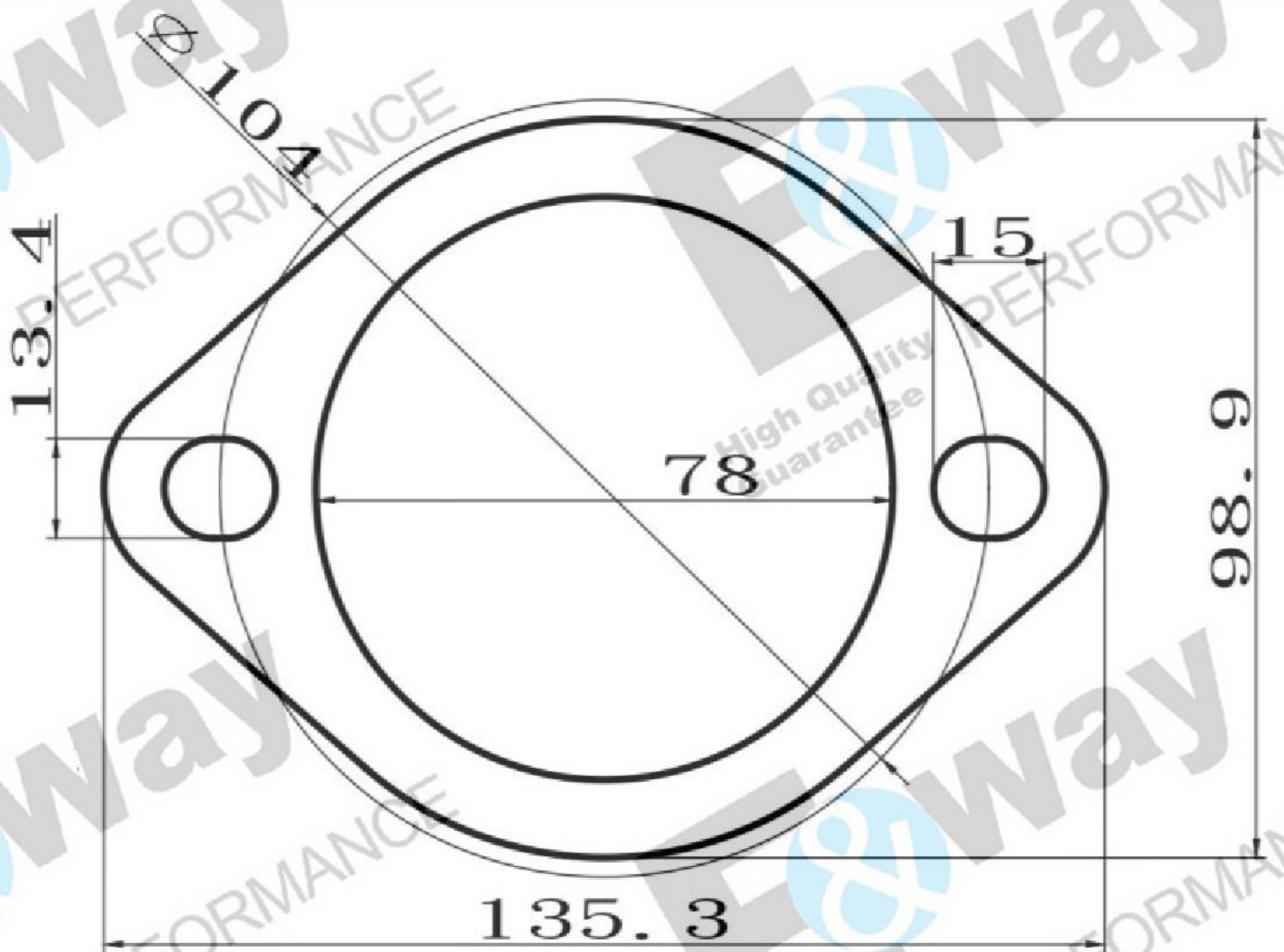
Inside Diameter(ID)=60/mm(2.36")
 Bolt Circle=93.2/mm(3.66")
 Bolt Hole=11.4/mm(0.44")
 Thickness=1.6~2.0/mm(0.06"~0.08")
 Material:Steel(Mixed Asbestos Free)+Stainless Steel(Hole)

EP2-010



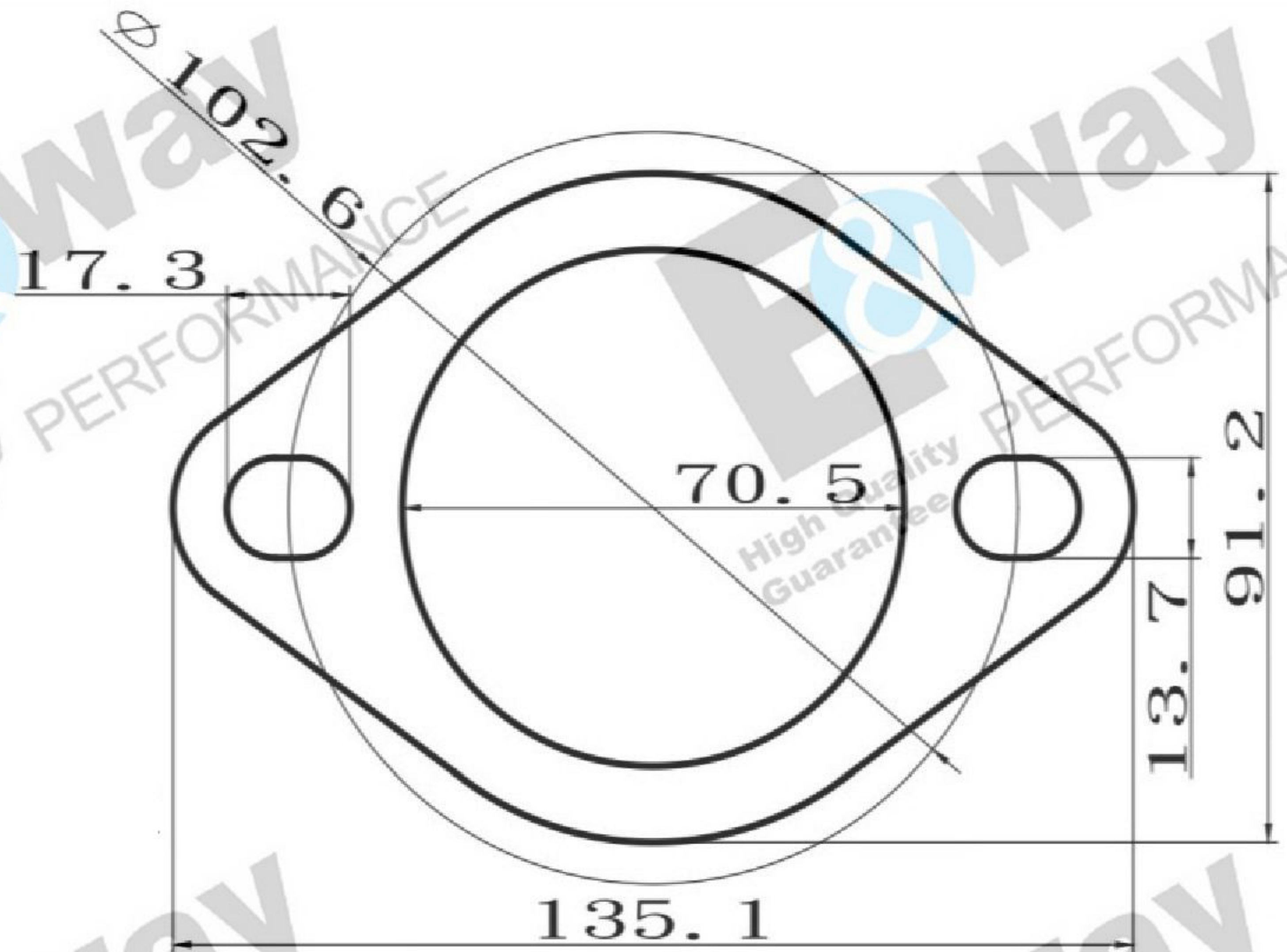
Inside Diameter(ID)=57.6/mm(2.26")
 Bolt Circle=89.4/mm(3.51")
 Bolt Hole=12.9/mm(0.5")
 Thickness=1.6~2.0/mm(0.06"~0.08")
 Material:Steel(Mixed Asbestos Free)+Stainless Steel(Hole)

EP2-011



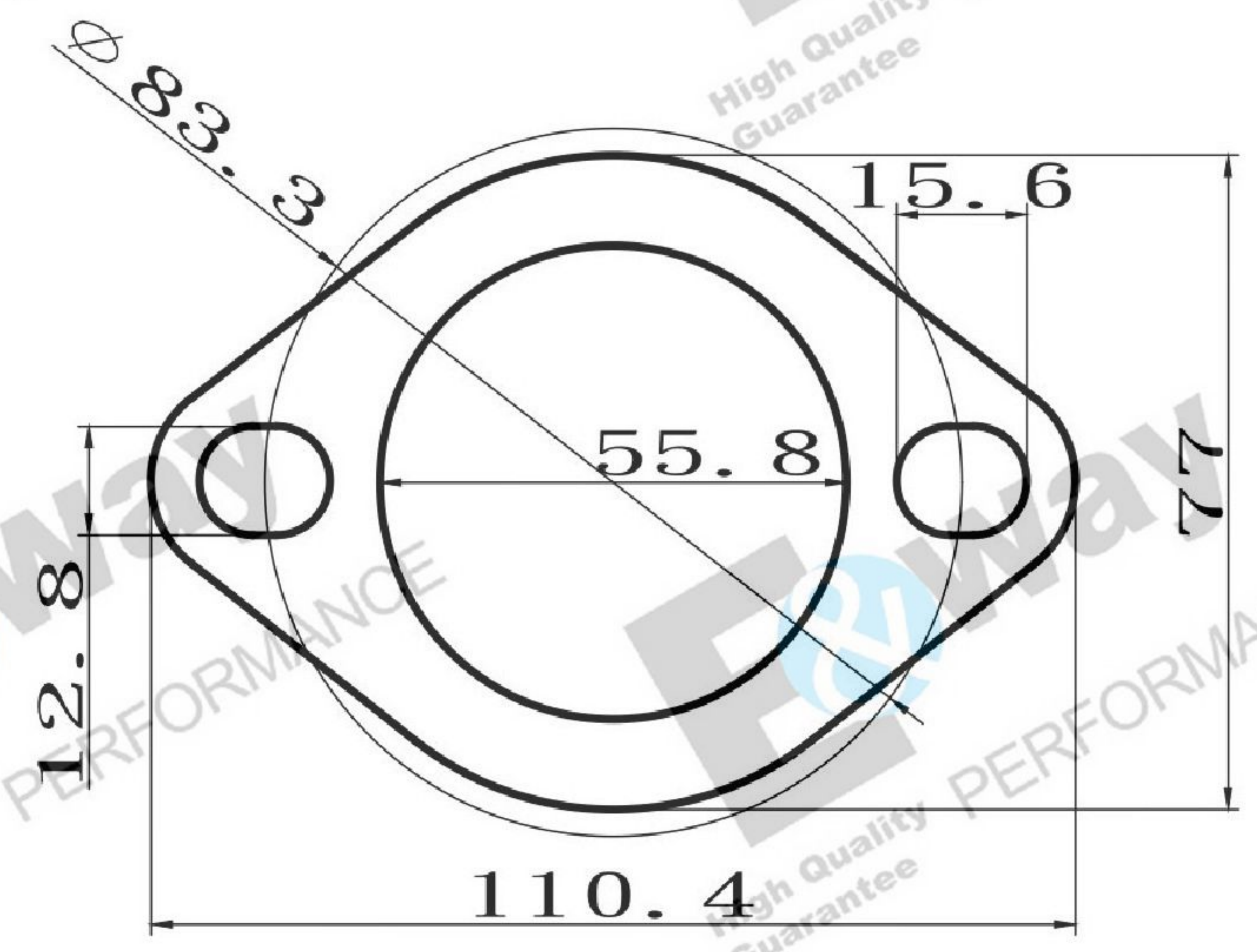
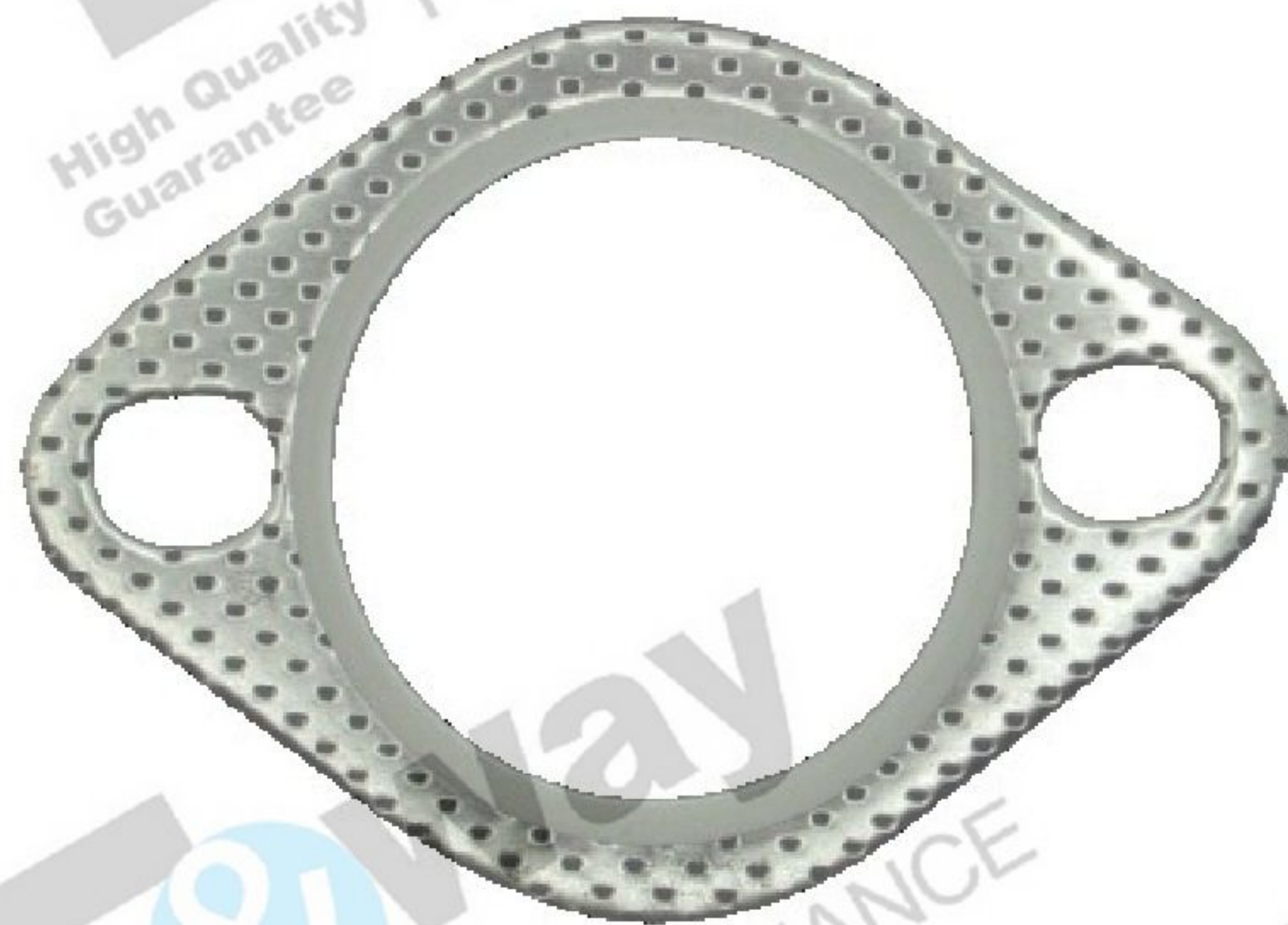
Inside Diameter(ID)=78/mm(3.07")
 Bolt Circle=104/mm(4.09")
 Bolt Hole=13.4/mm(0.52")
 Thickness=1.6~2.0/mm(0.06"~0.08")
 Material:Steel(Mixed Asbestos Free)+Stainless Steel(Hole)

EP2-012



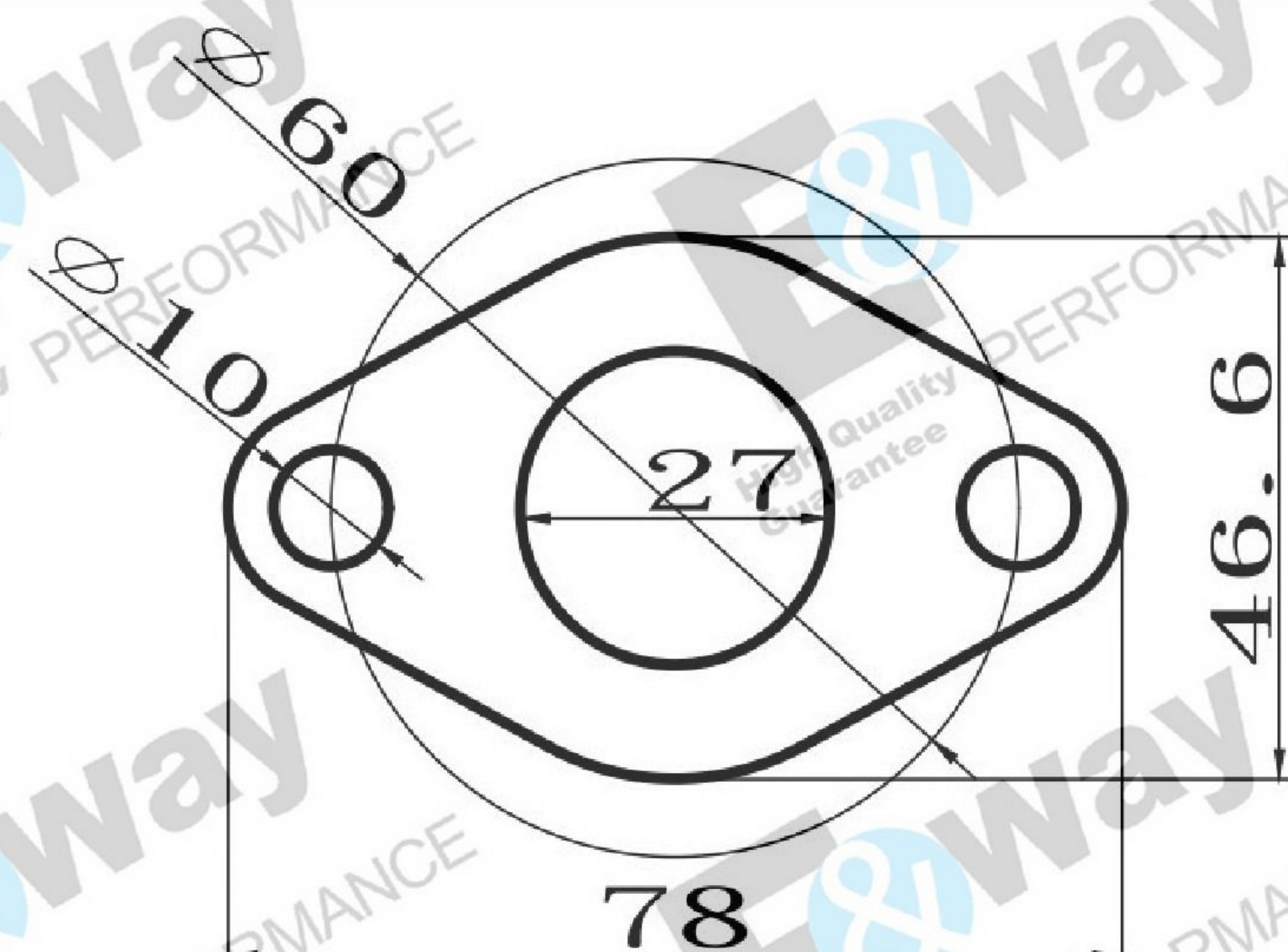
Inside Diameter(ID)=70.5/mm(2.77")
 Bolt Circle=102.6/mm(4.03")
 Bolt Hole=13.7/mm(0.53")
 Thickness=1.6~2.0/mm(0.06"~0.08")
 Material:Steel(Mixed Asbestos Free)+Stainless Steel(Hole)

EP2-013



Inside Diameter(ID)=55.8/mm(2.19")
 Bolt Circle=83.3/mm(3.27")
 Bolt Hole=12.8/mm(0.50")
 Thickness=1.6~2.0/mm(0.06"~0.08")
 Material:Steel(Mixed Asbestos Free)+Stainless Steel(Hole)

EP2-014

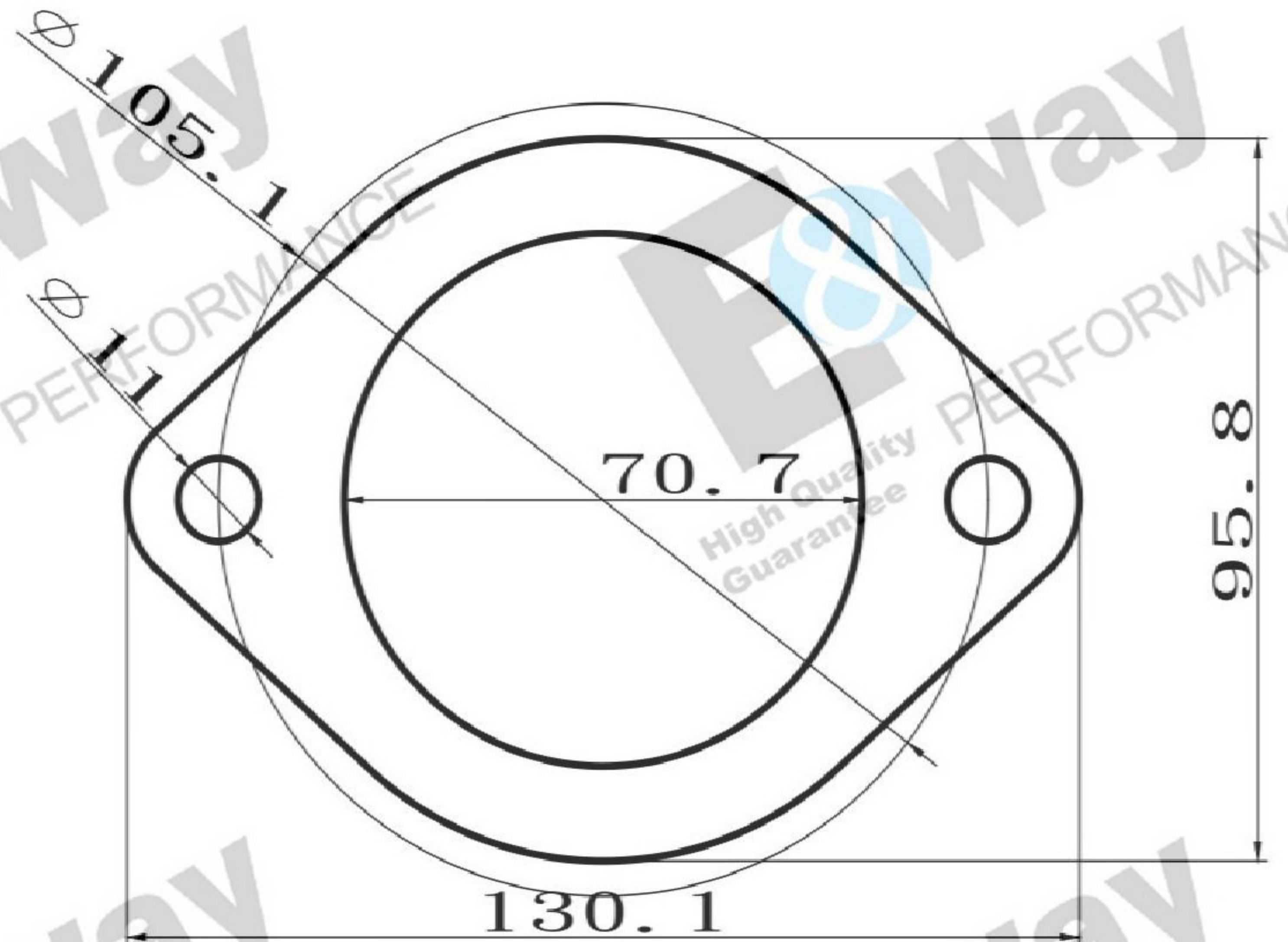
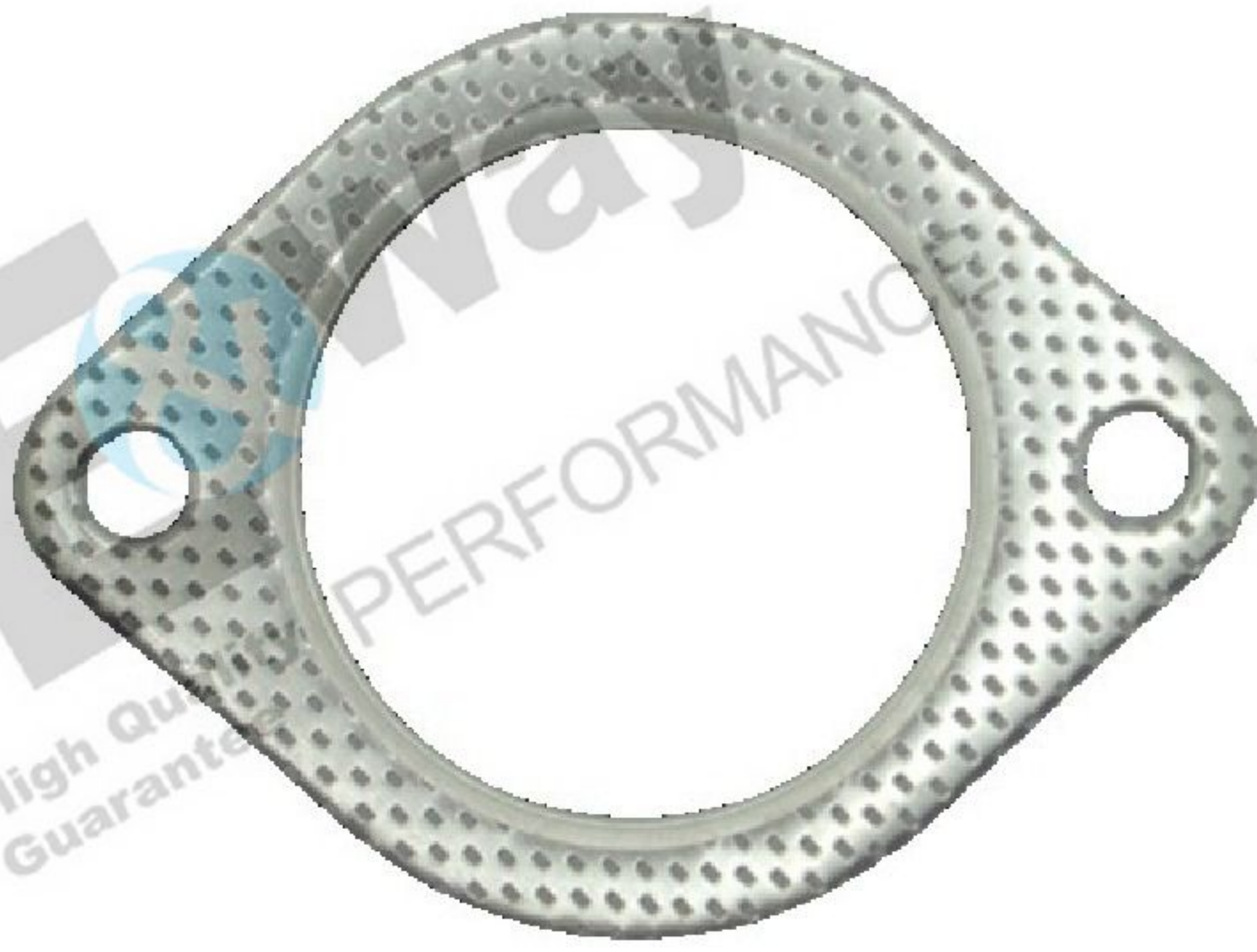


Inside Diameter(ID)=27/mm(1.06")
 Bolt Circle=60/mm(2.36")
 Bolt Hole=10/mm(0.39")
 Thickness=1.6~2.0/mm(0.06"~0.08")
 Material:Graphite(Mixed Steel)+Stainless Steel(Hole)+Steel(MoS2 Coated)

EP2-015

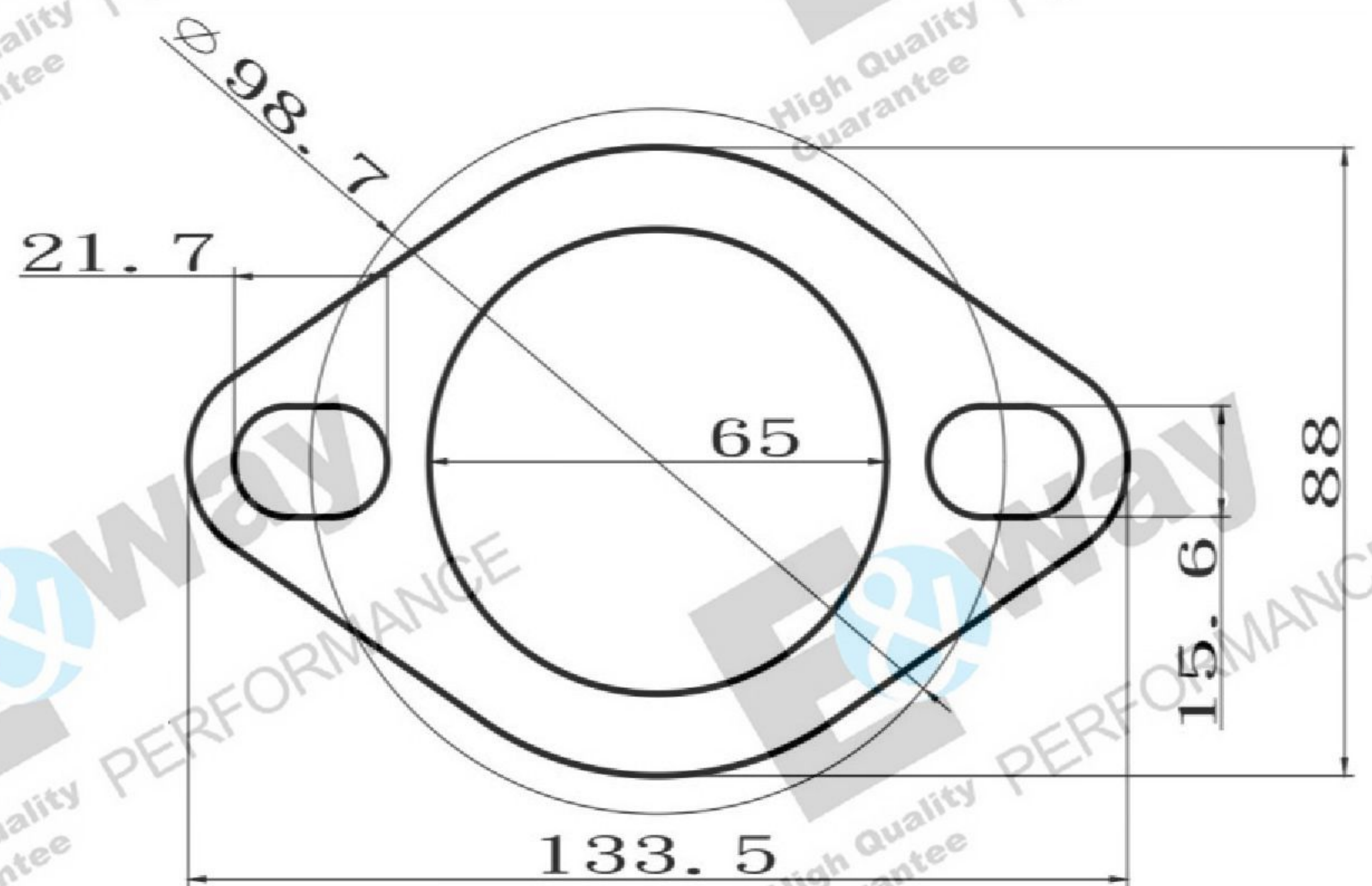
2-Bolt Exhaust Flange/Muffler/Pipe Gasket P6

P6



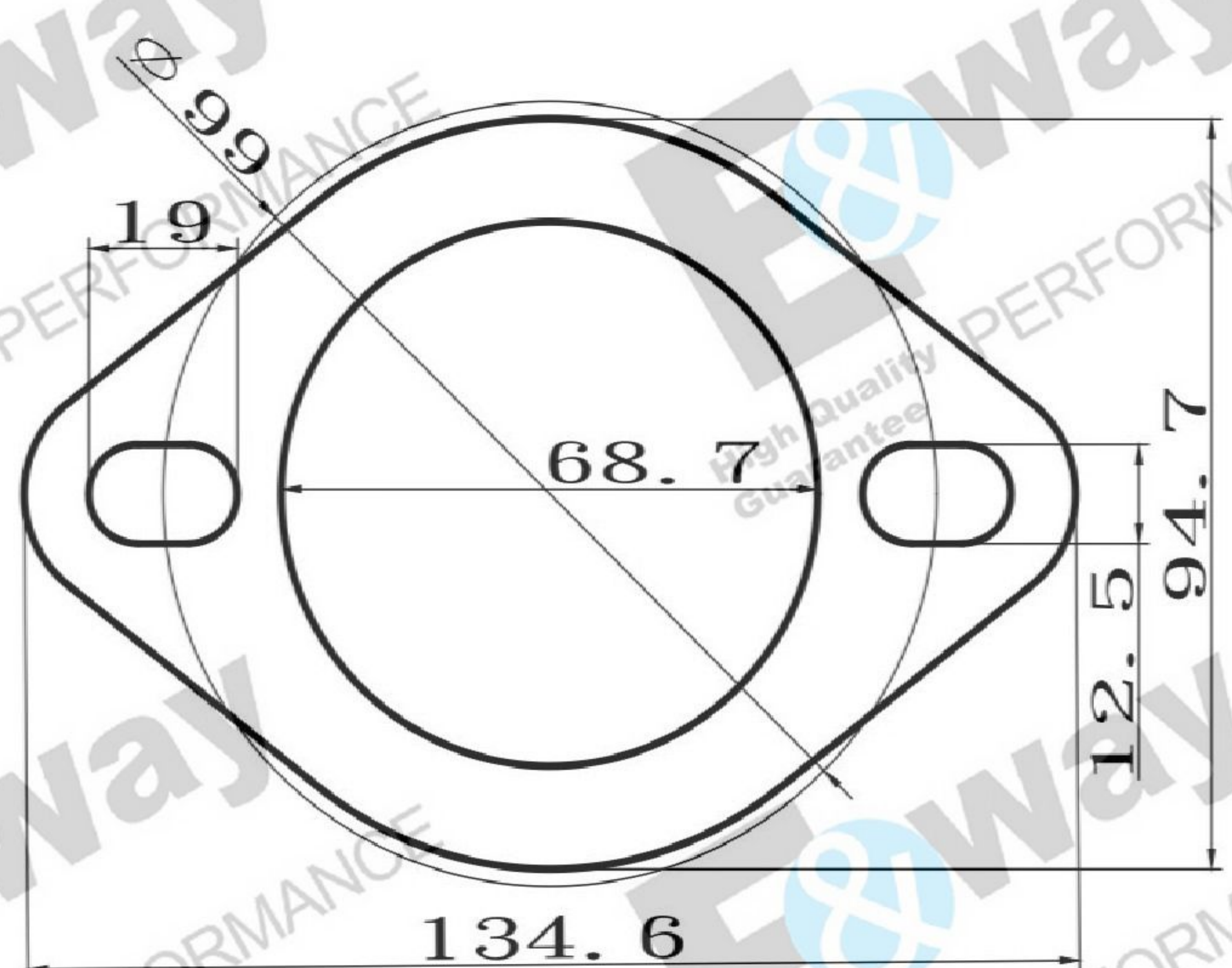
Inside Diameter(ID)=70.7/mm(2.78")
 Bolt Circle=105.1/mm(4.13")
 Bolt Hole=11/mm(0.43")
 Thickness=1.6~2.0/mm(0.06"~0.08")
 Material:Steel(Mixed Asbestos Free)+Stainless Steel(Hole)

EP2-016



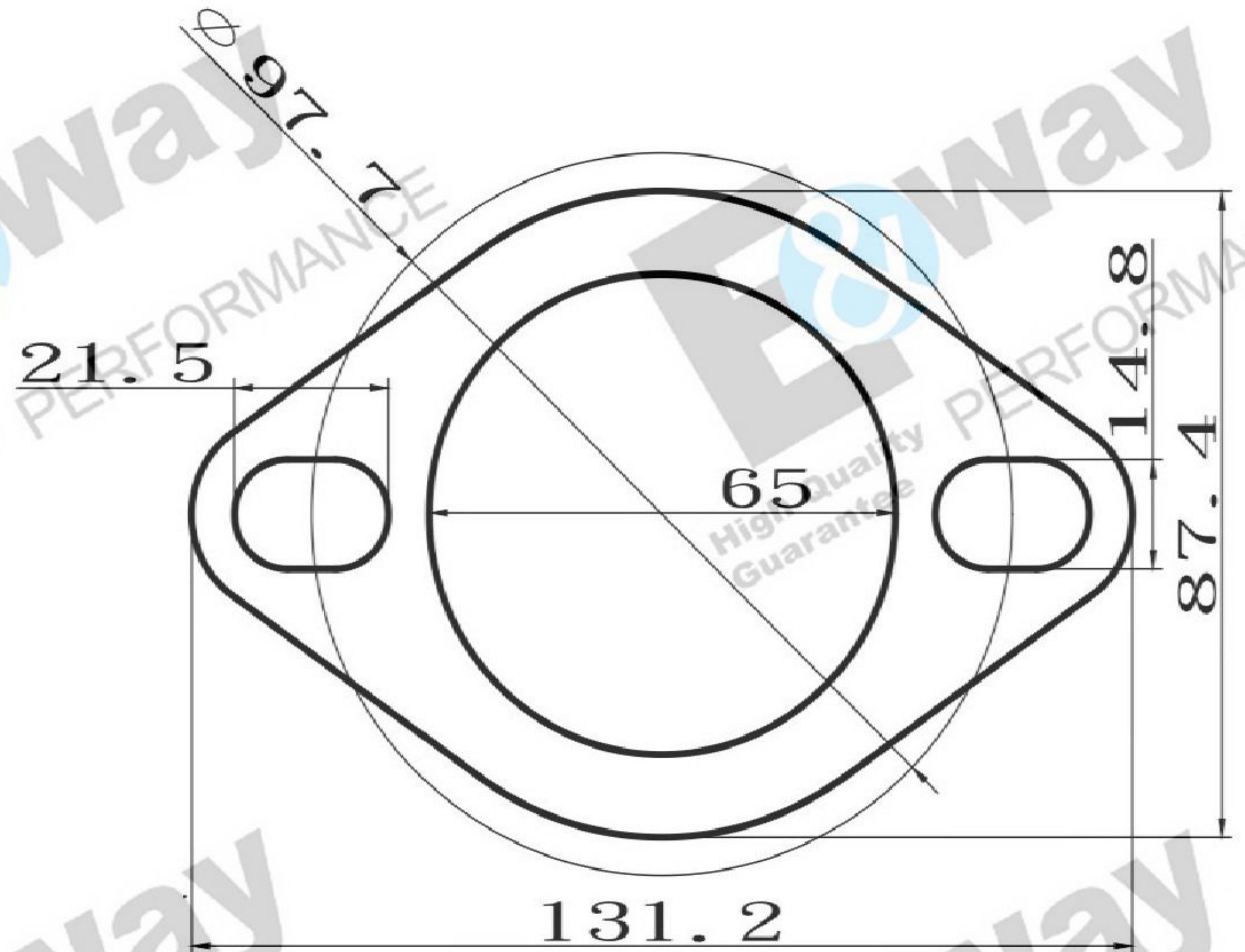
Inside Diameter(ID)=65/mm(2.55")
 Bolt Circle=98.7/mm(3.88")
 Bolt Hole=15.6/mm(0.61")
 Thickness=1.6~2.0/mm(0.06"~0.08")
 Material:Steel(Mixed Asbestos Free)+Stainless Steel(Hole)

EP2-017



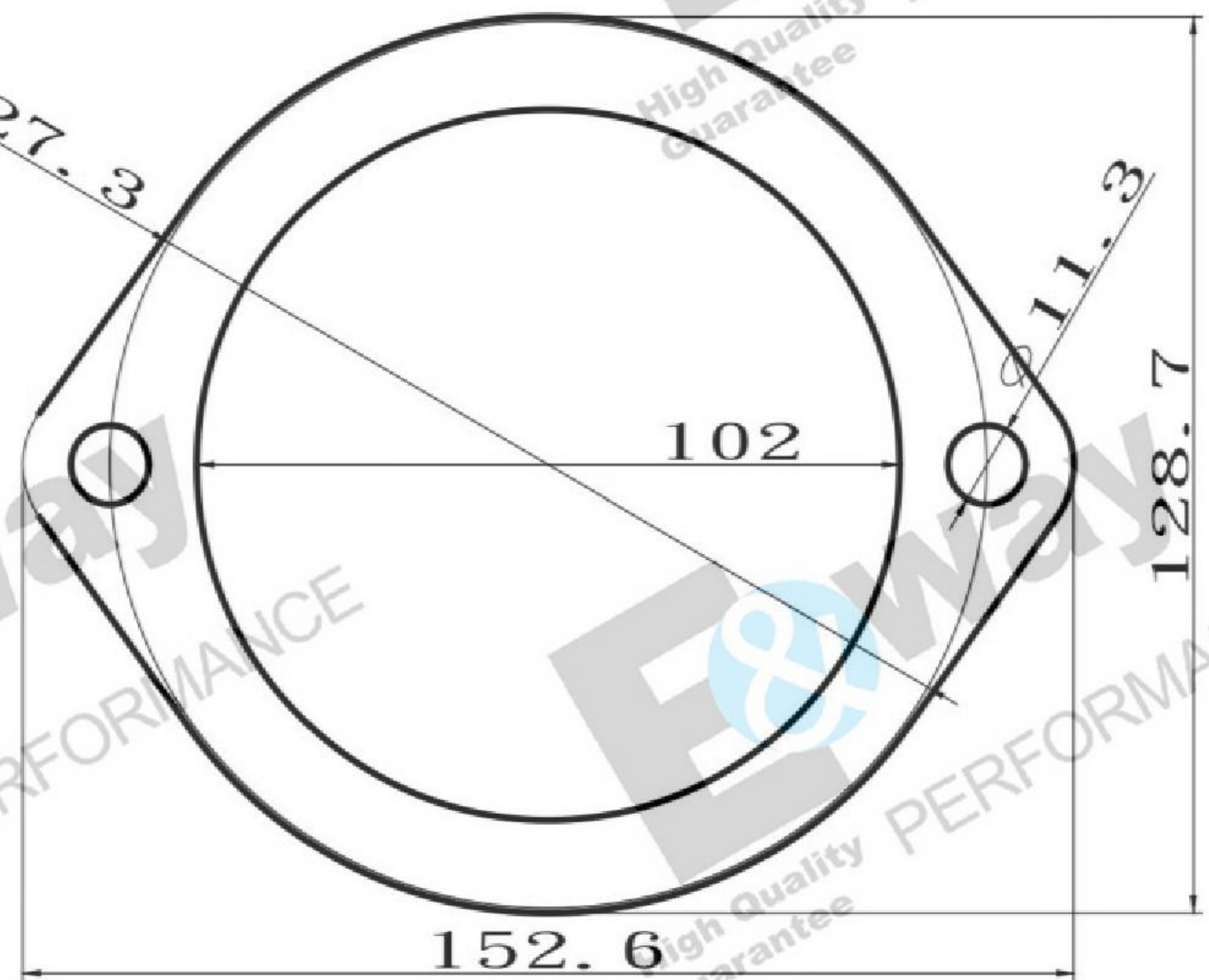
Inside Diameter(ID)=68.7/mm(2.70")
 Bolt Circle=99/mm(3.89")
 Bolt Hole=12.5/mm(0.49")
 Thickness=1.6~2.0/mm(0.06"~0.08")
 Material:Steel(Mixed Asbestos Free)+Stainless Steel(Hole)

EP2-018



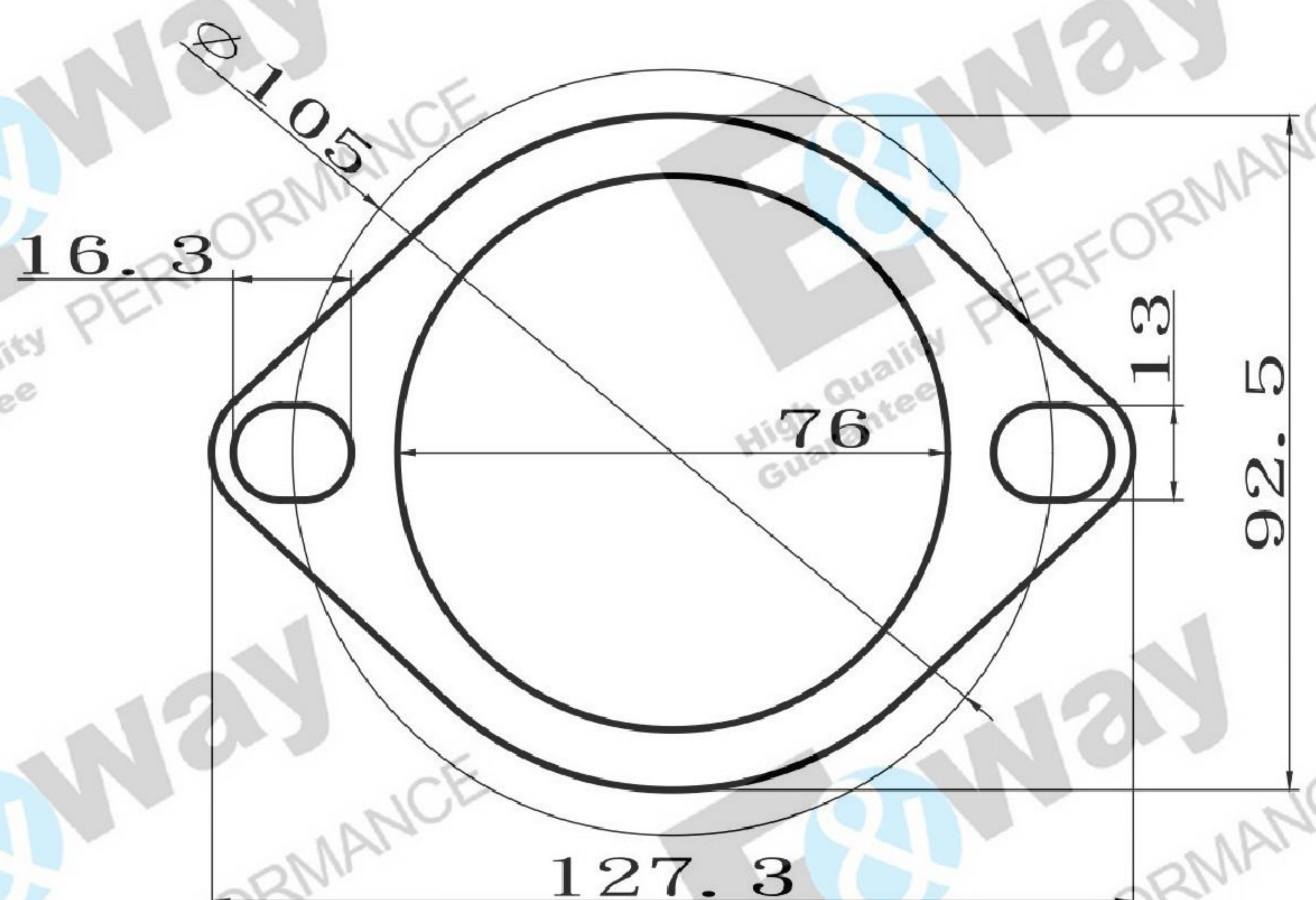
Inside Diameter(ID)=65/mm(2.55")
 Bolt Circle=97.7/mm(3.84")
 Bolt Hole=14.8/mm(0.58)
 Thickness=1.6~2.0/mm(0.06"~0.08")
 Material:Steel(Mixed Asbestos Free)+Stainless Steel(Hole)

EP2-019



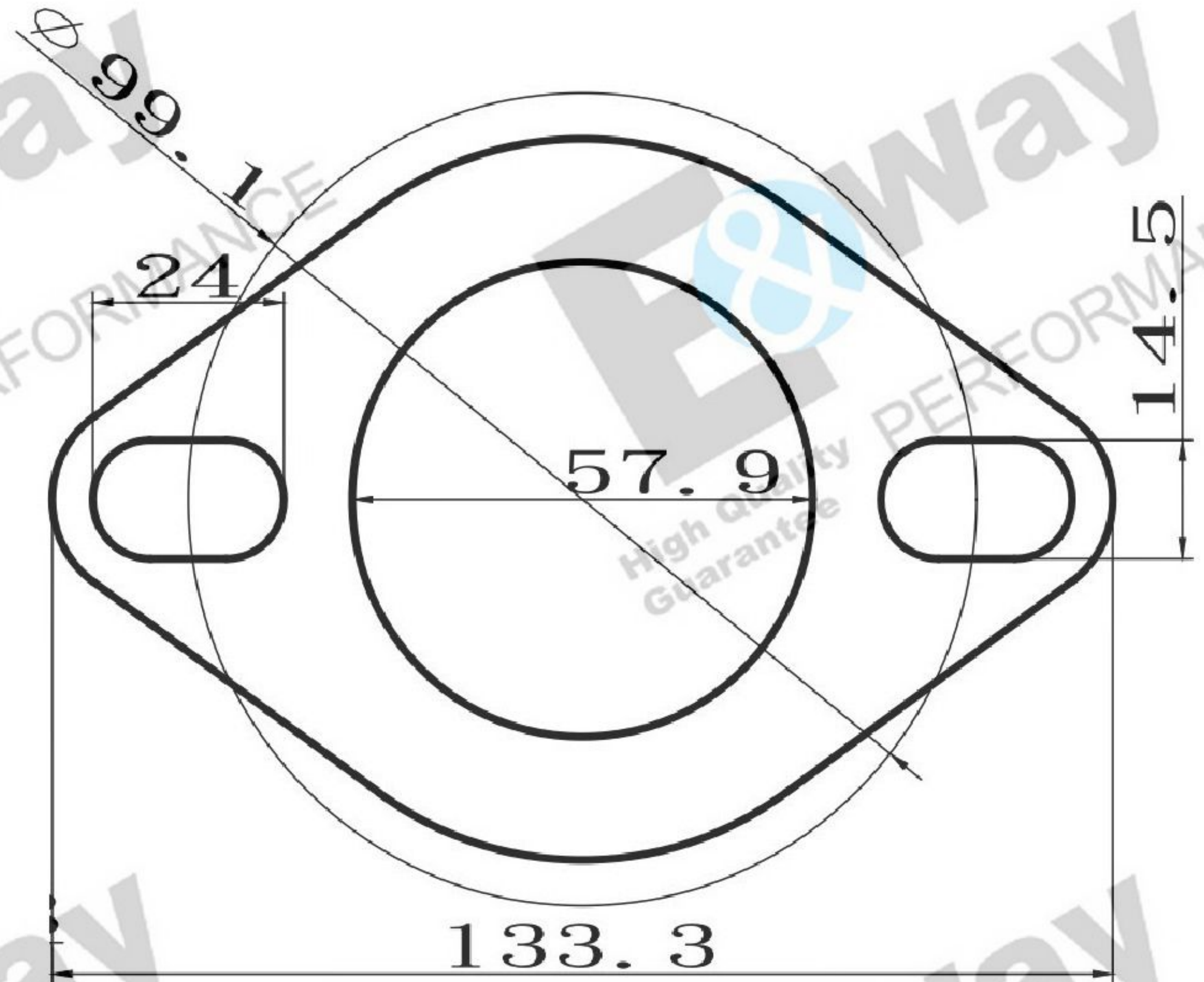
Inside Diameter(ID)=102/mm(4.01")
 Bolt Circle=127.3/mm(5.01")
 Bolt Hole=11.3/mm(0.44")
 Thickness=1.6~2.0/mm(0.06"~0.08")
 Material:Steel(Mixed Asbestos Free)+Stainless Steel(Hole)

EP2-020



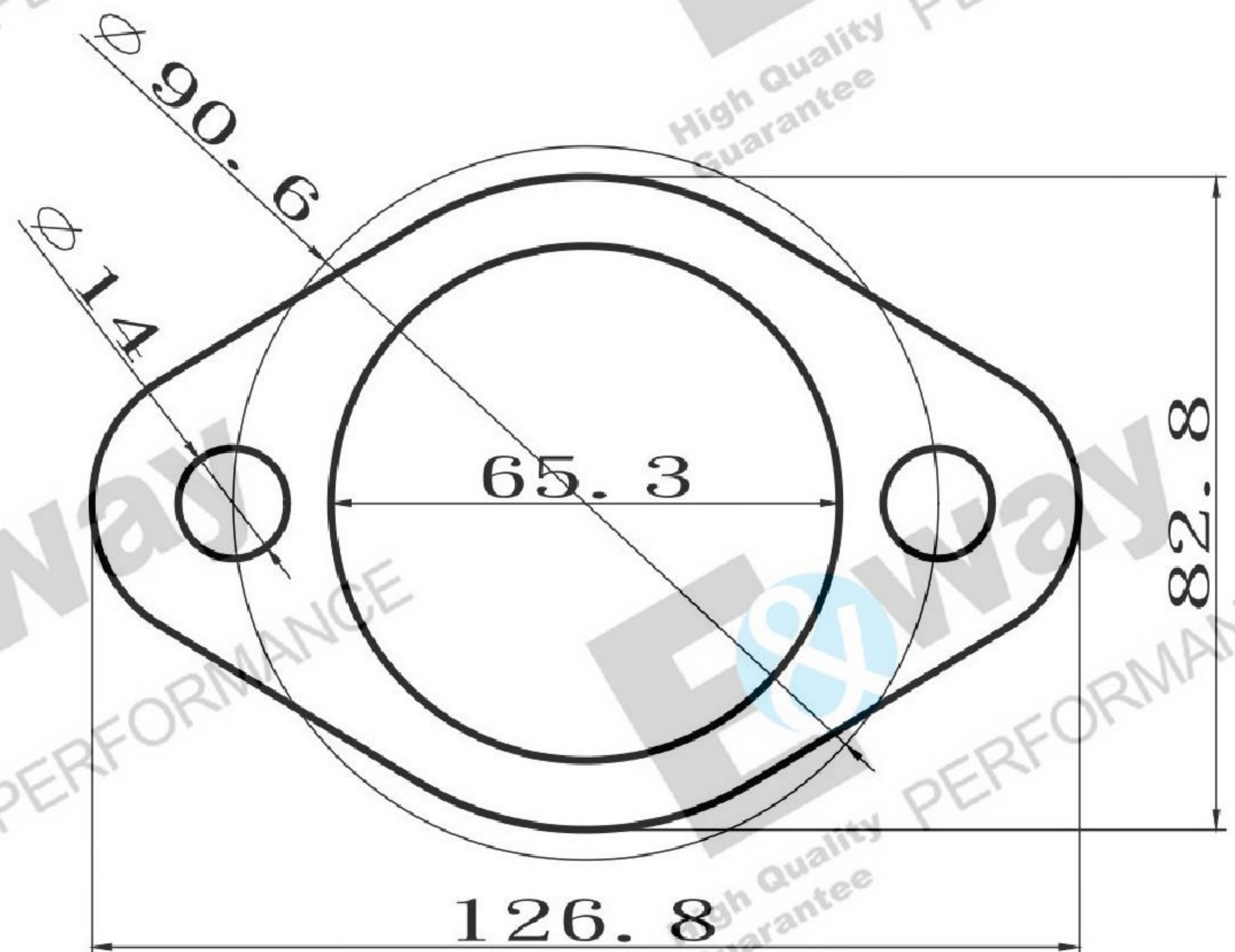
Inside Diameter(ID)=76/mm(2.99")
 Bolt Circle=105/mm(4.13")
 Bolt Hole=13/mm(0.51")
 Thickness=1.6~2.0/mm(0.06"~0.08")
 Material:Steel(Mixed Asbestos Free)+Stainless Steel(Hole)

EP2-021



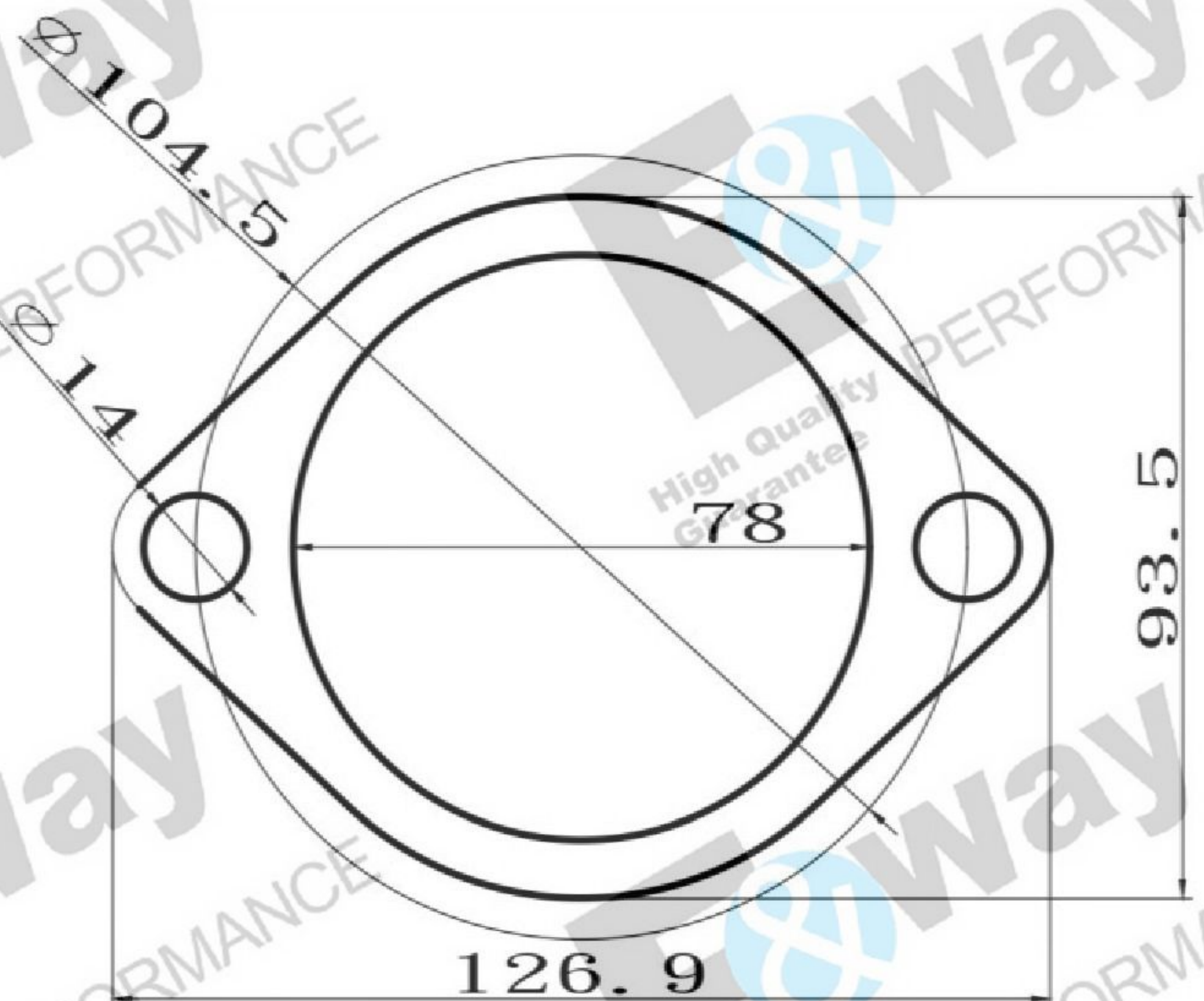
Inside Diameter(ID)=57.9/mm(2.27")
 Bolt Circle=99.1/mm(3.90)
 Bolt Hole=14.5/mm(0.57")
 Thickness=1.6~2.0/mm(0.06"~0.08")
 Material:Steel(Mixed Asbestos Free)+Stainless Steel(Hole)

EP2-022



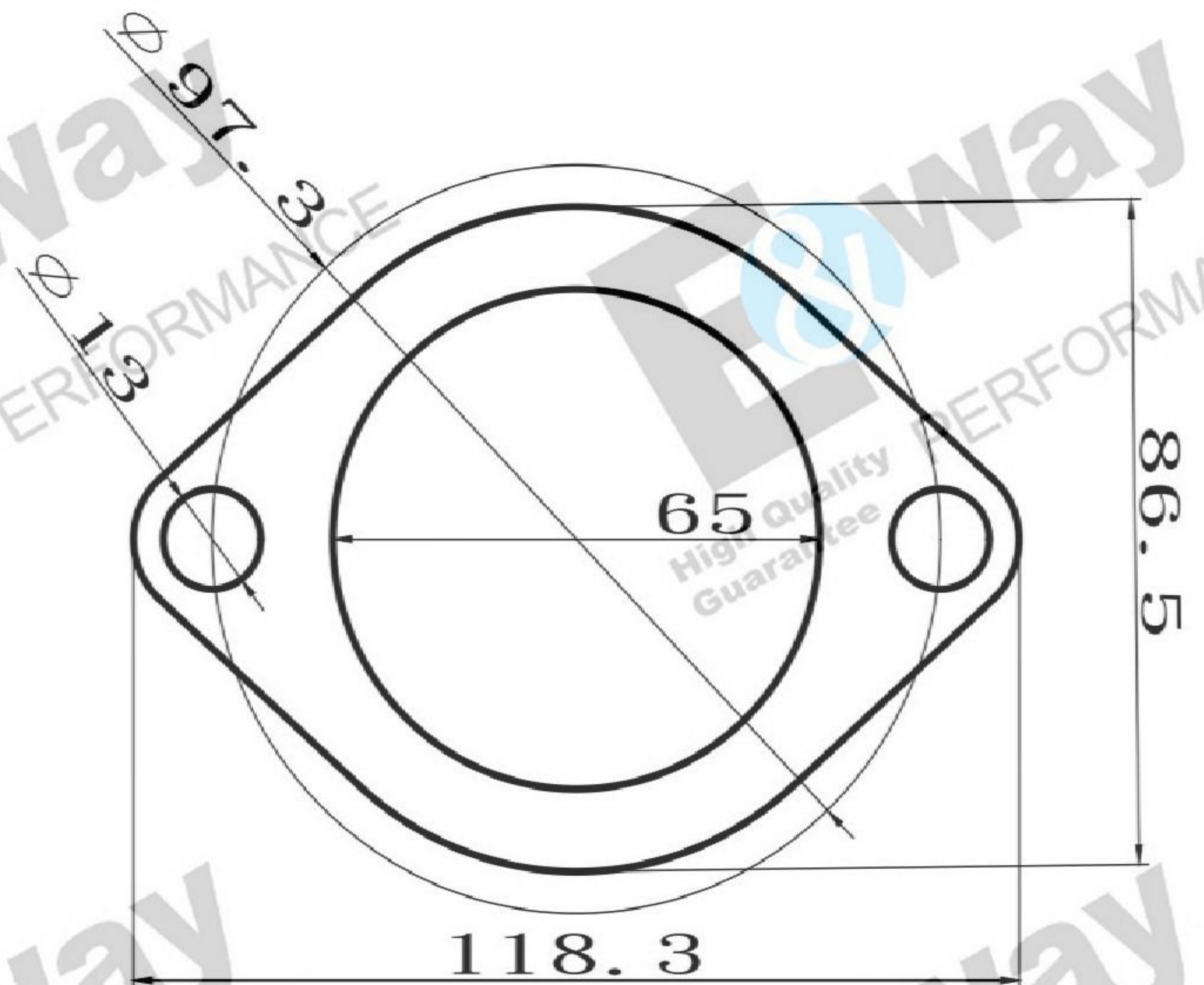
Inside Diameter(ID)=65.3/mm(2.57")
 Bolt Circle=90.6/mm(3.56")
 Bolt Hole=14/mm(0.55")
 Thickness=1.6~2.0/mm(0.06"~0.08")
 Material:Steel(Mixed Asbestos Free)+Stainless Steel(Hole)

EP2-023



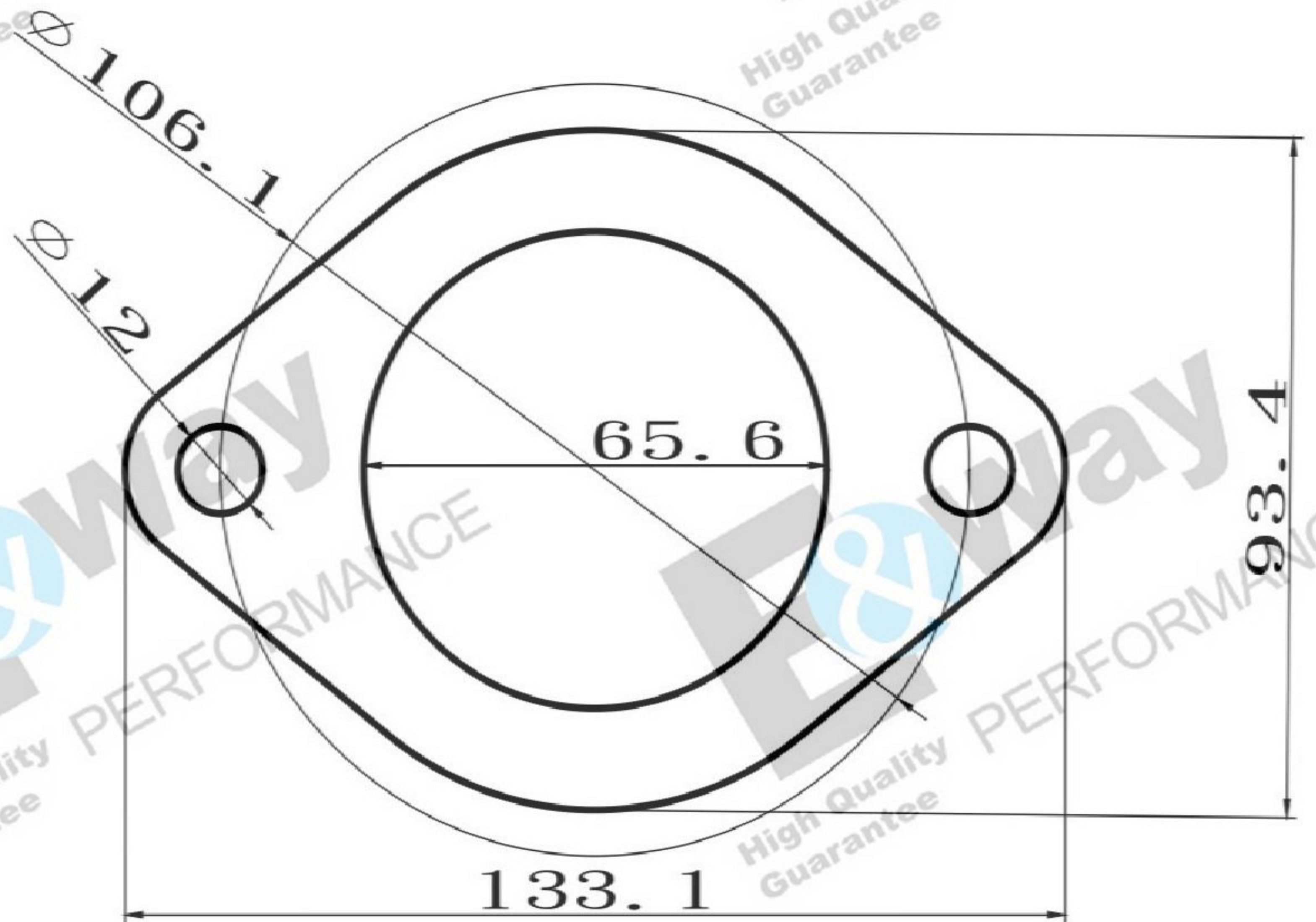
Inside Diameter(ID)=78/mm(3.07")
 Bolt Circle=104.5/mm(4.11")
 Bolt Hole=14/mm(0.55")
 Thickness=1.6~2.0/mm(0.06"~0.08")
 Material:Steel(Mixed Asbestos Free)+Stainless Steel(Hole)

EP2-024



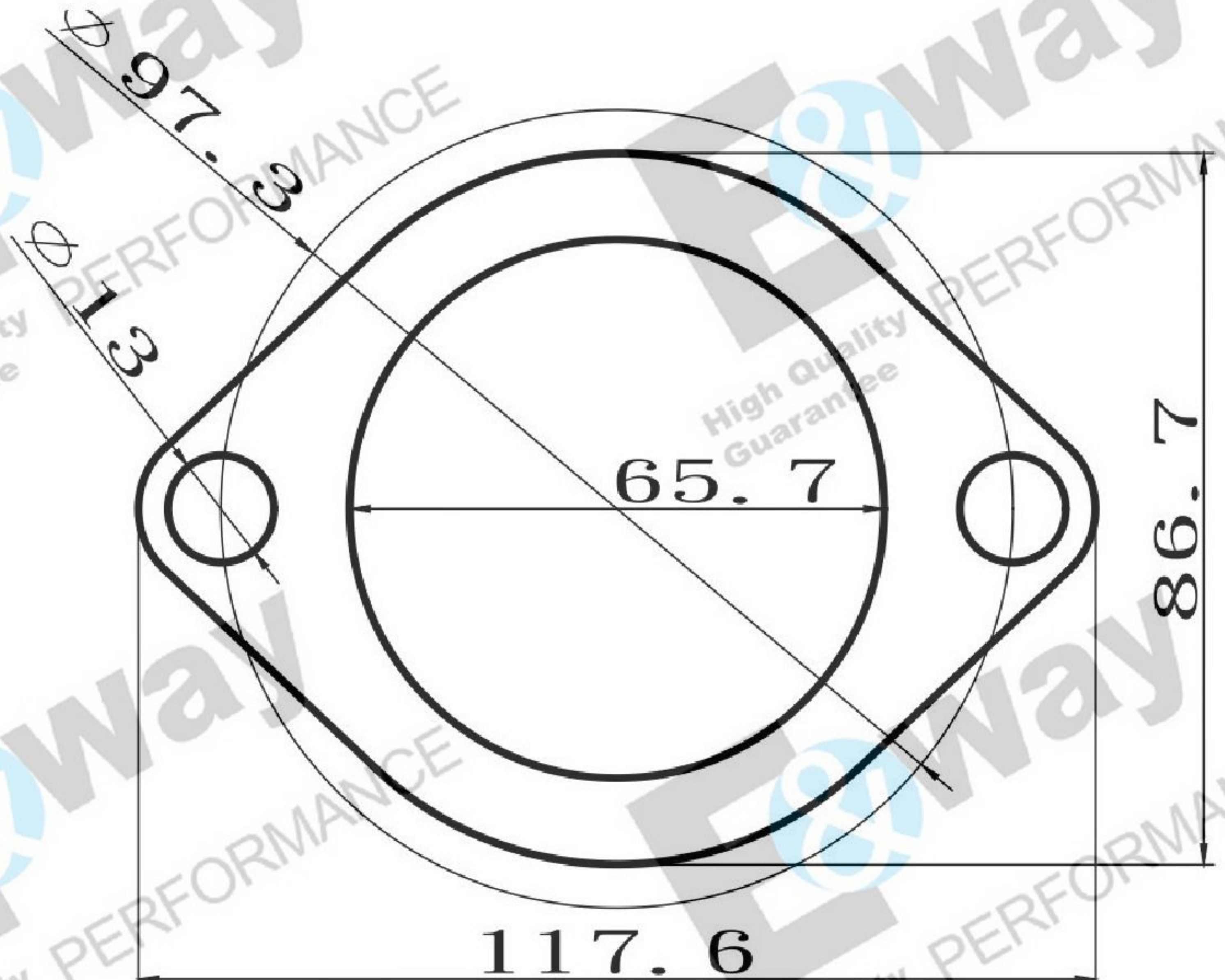
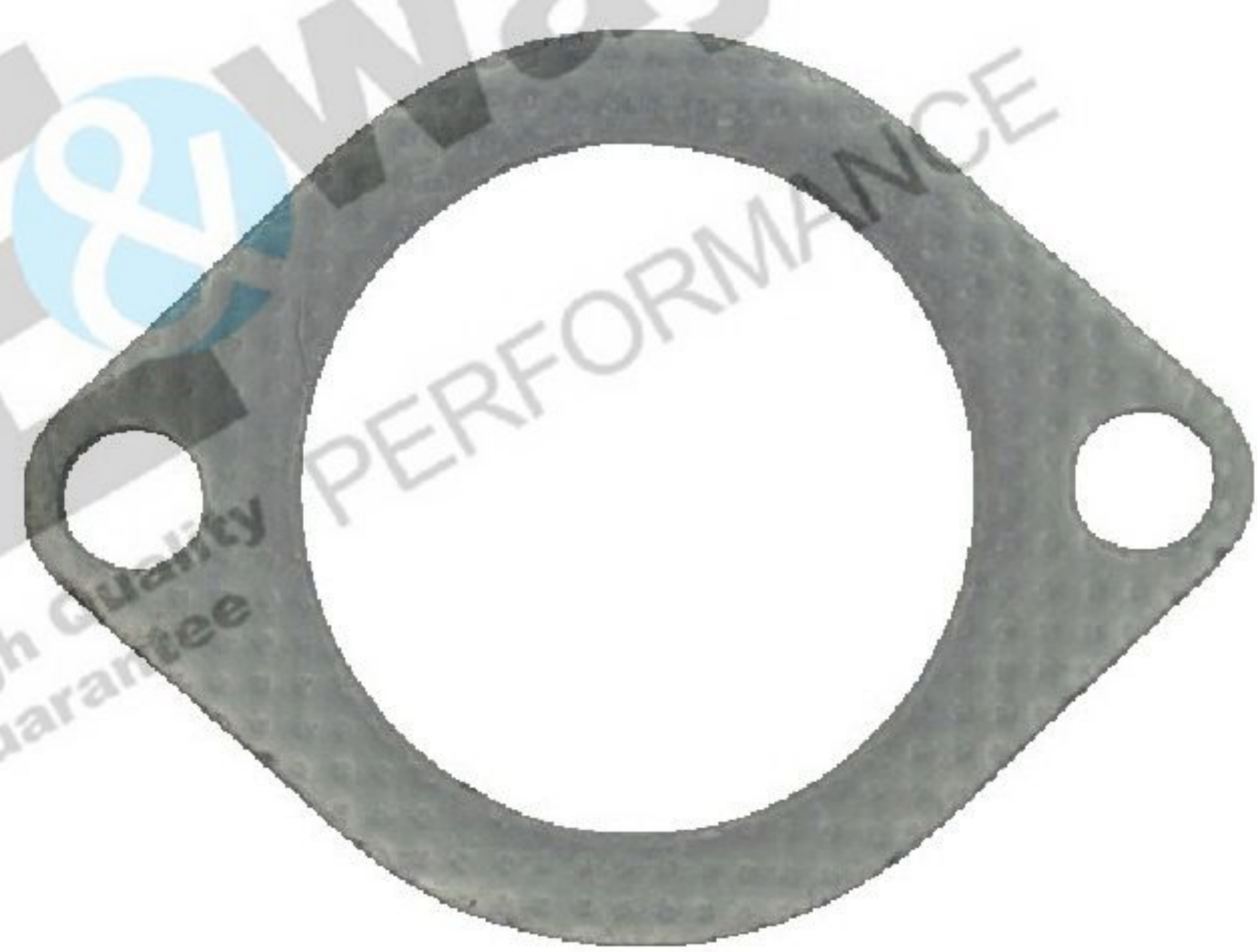
Inside Diameter(ID)=65/mm(2.55")
 Bolt Circle=97.3/mm(3.83")
 Bolt Hole=13/mm(0.51")
 Thickness=1.6~2.0/mm(0.06"~0.08")
 Material:Steel(Mixed Asbestos Free)+Stainless Steel(Hole)

EP2-025



Inside Diameter(ID)=65.6/mm(2.58")
 Bolt Circle=106.1/mm(4.17")
 Bolt Hole=12/mm(0.47")
 Thickness=1.6~2.0/mm(0.06"~0.08")
 Material:Graphite(Mixed Steel)

EP2-026

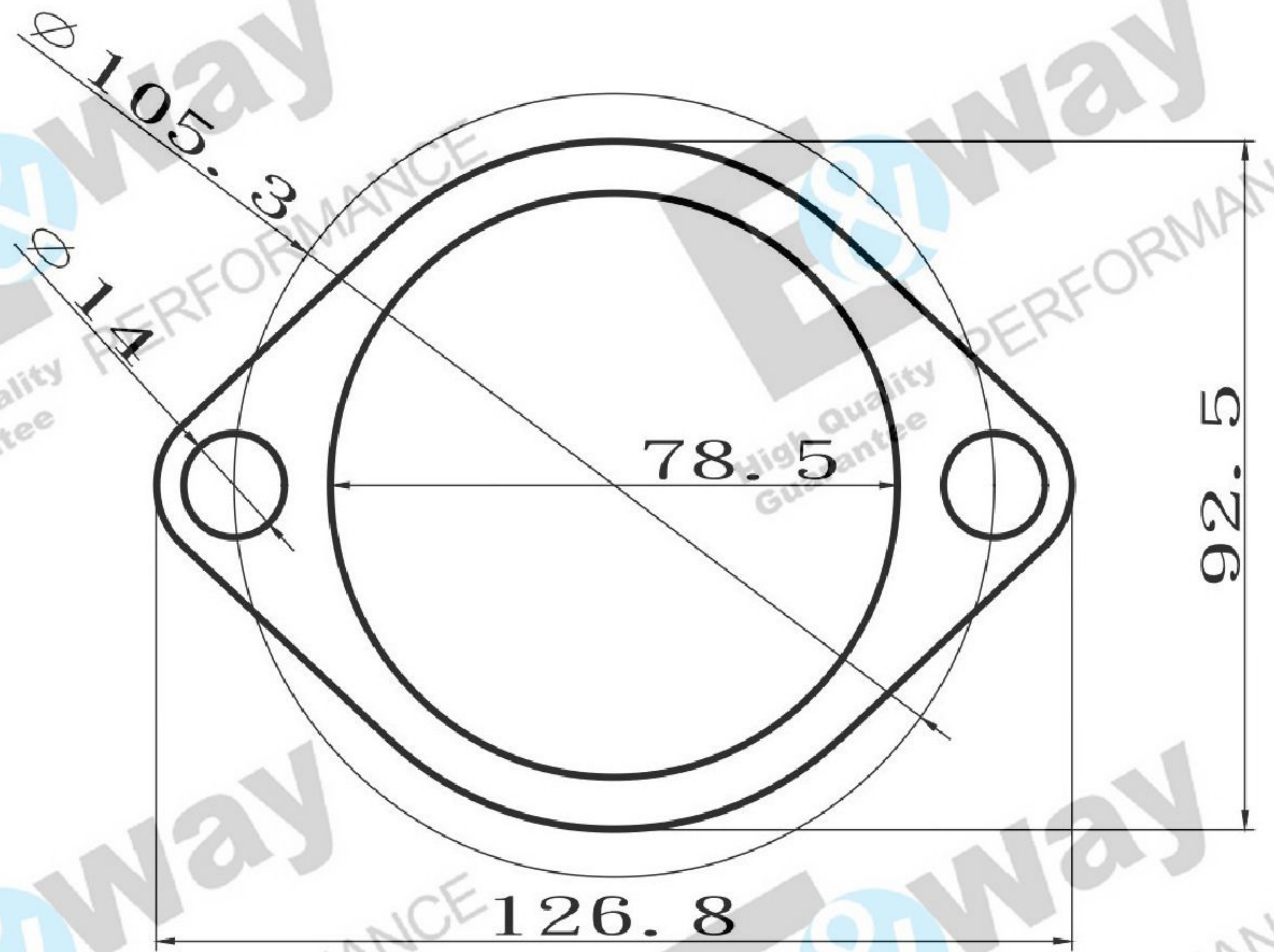


Inside Diameter(ID)=65.7/mm(2.58")
 Bolt Circle=97.3/mm(3.83")
 Bolt Hole=13/mm(0.51")
 Thickness=1.6~2.0/mm(0.06"~0.08")
 Material:Graphite(Mixed Steel)

EP2-027

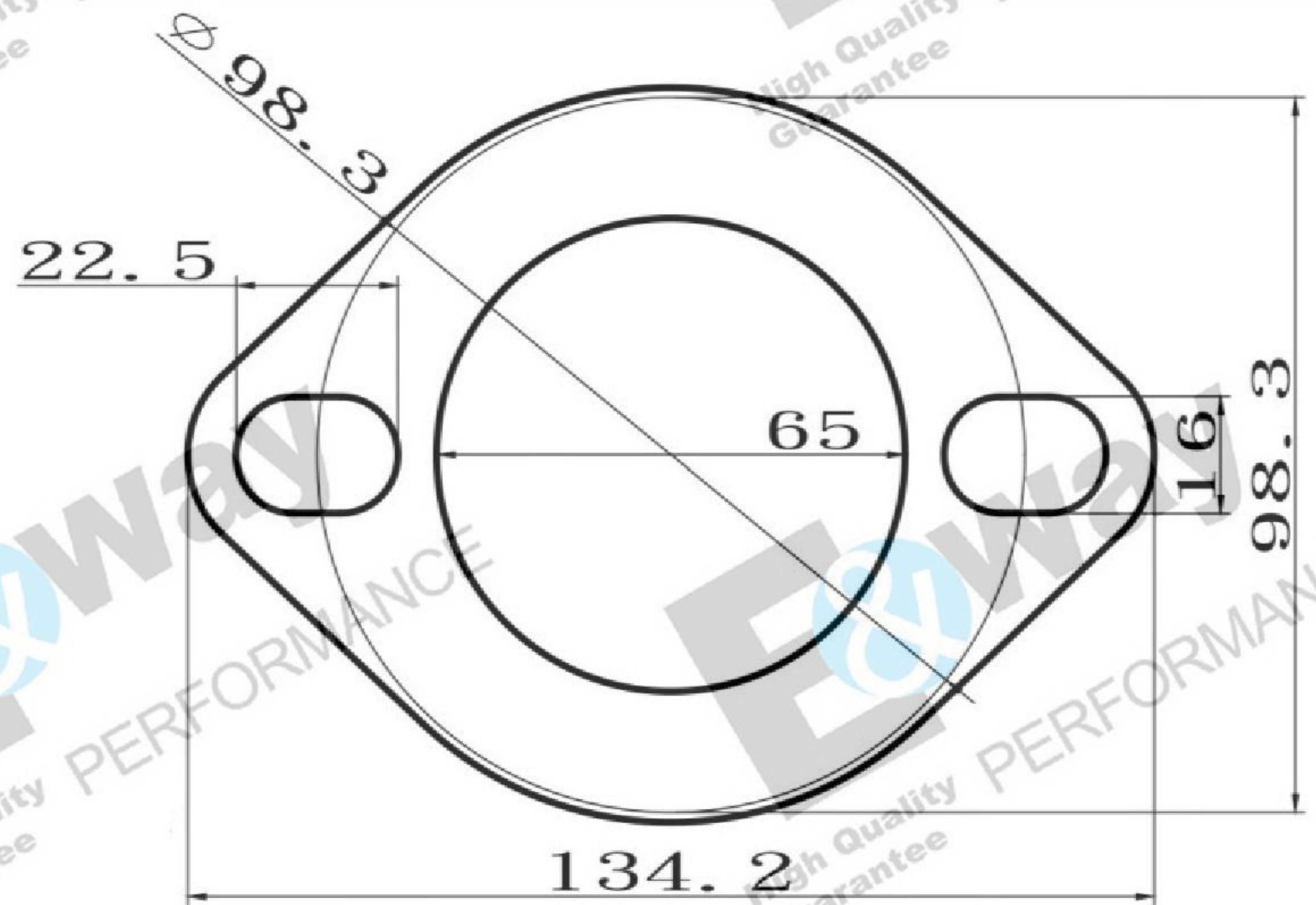
2-Bolt Exhaust Flange/Muffler/Pipe Gasket P10

P10



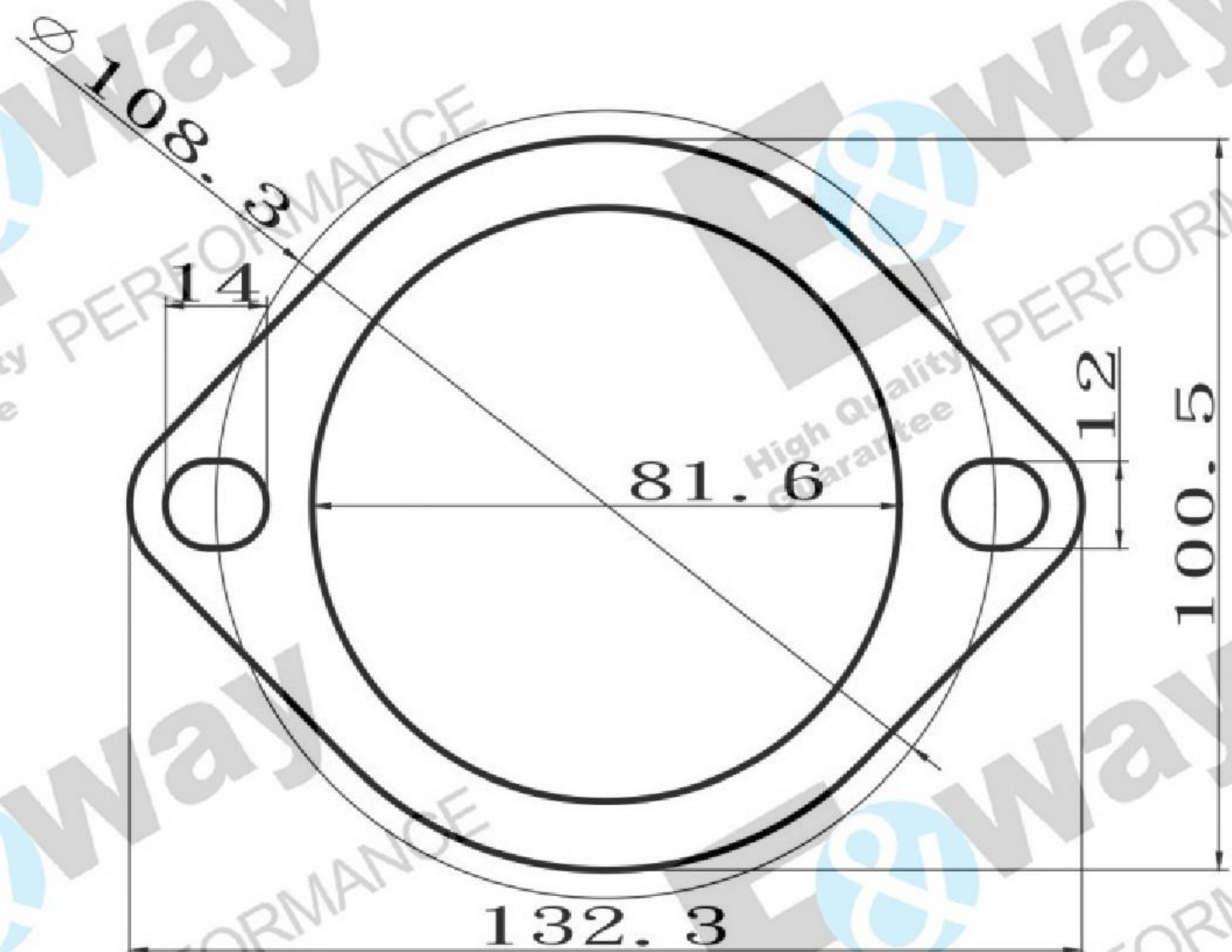
Inside Diameter(ID)=78.5/mm(3.09")
 Bolt Circle=105.3/mm(4.14")
 Bolt Hole=14/mm(0.55")
 Thickness=1.6~2.0/mm(0.06"~0.08")
 Material:Graphite(Mixed Steel)

EP2-028



Inside Diameter(ID)=65/mm(2.55")
 Bolt Circle=98.3/mm(3.87")
 Bolt Hole=16/mm(0.62")
 Thickness=1.6~2.0/mm(0.06"~0.08")
 Material:Steel(Mixed Asbestos Free)+Stainless Steel(Hole)

EP2-029

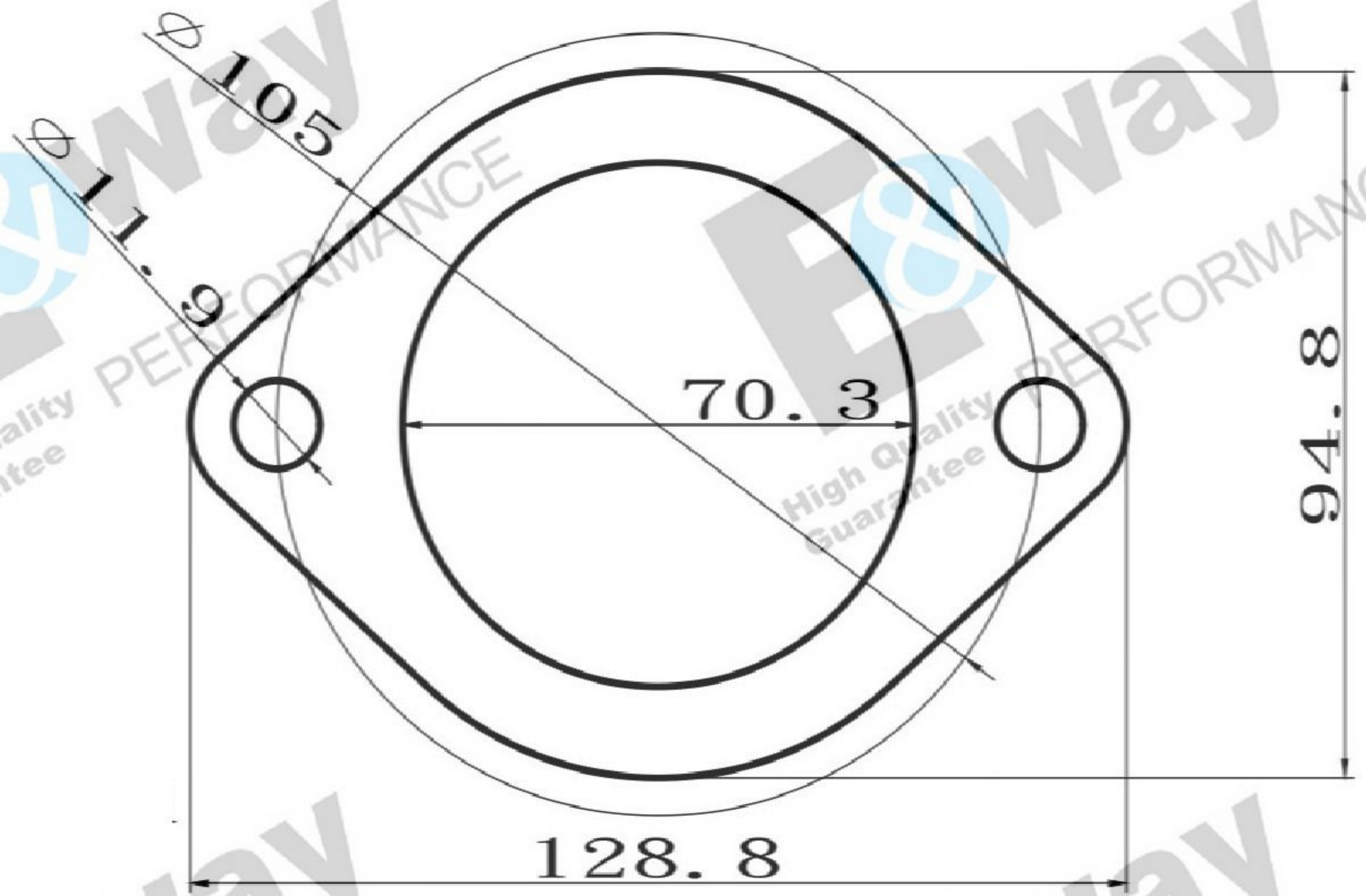
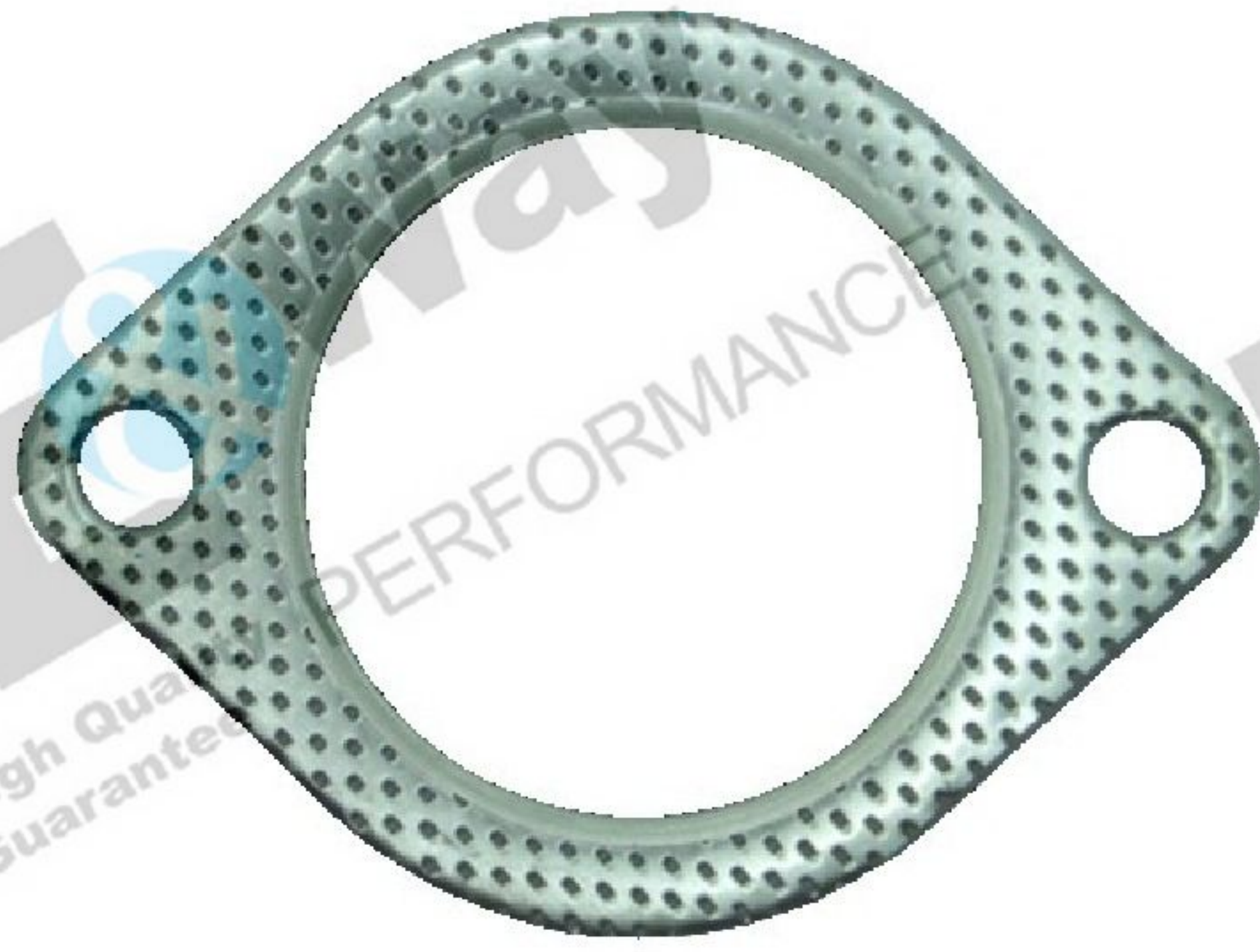


Inside Diameter(ID)=81.6/mm(3.21")
 Bolt Circle=108.3/mm(4.26")
 Bolt Hole=12/mm(0.47")
 Thickness=1.6~2.0/mm(0.06"~0.08")
 Material:Steel(Mixed Asbestos Free)+Stainless Steel(Hole)

EP2-030

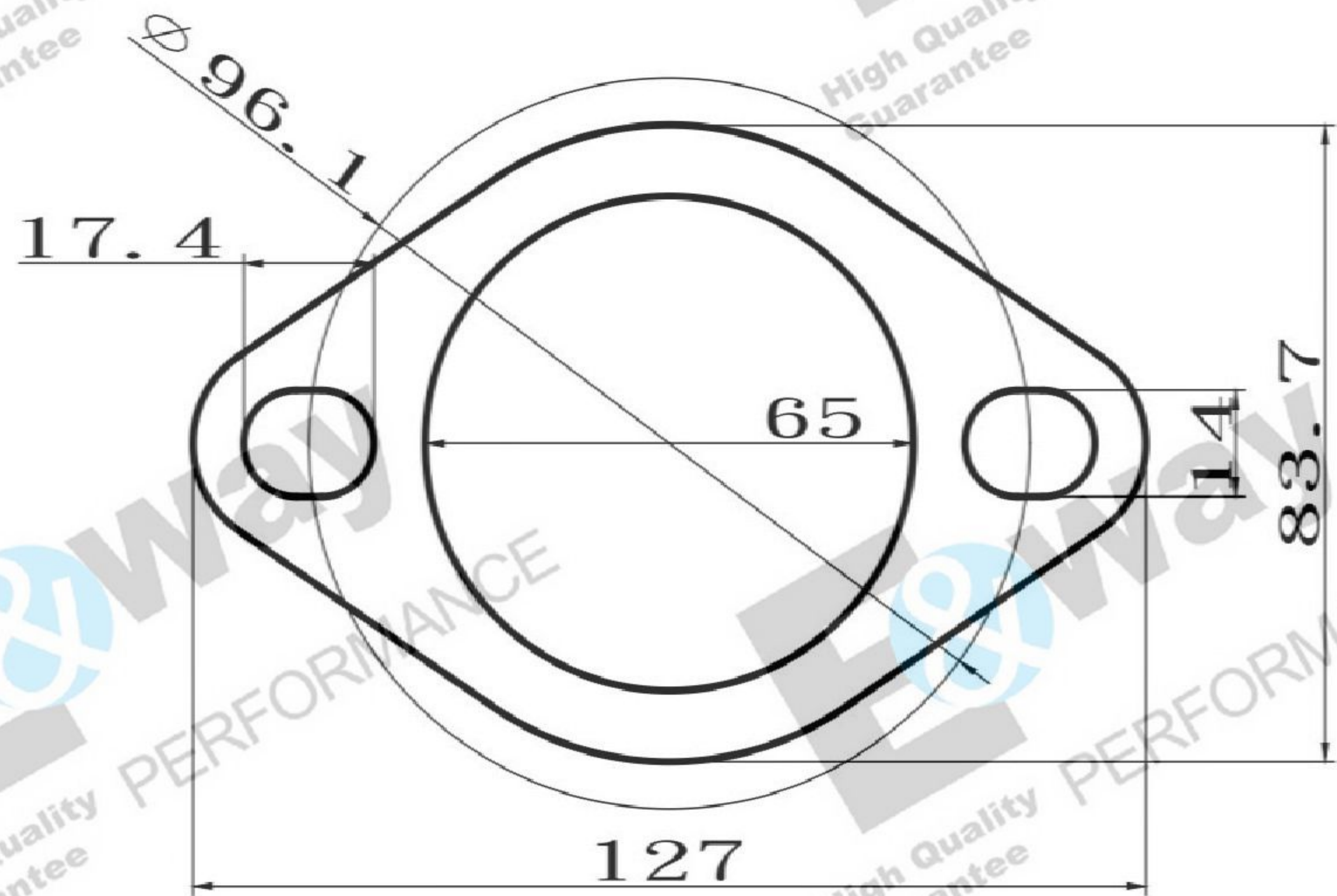
2-Bolt Exhaust Flange/Muffler/Pipe Gasket P11

P11



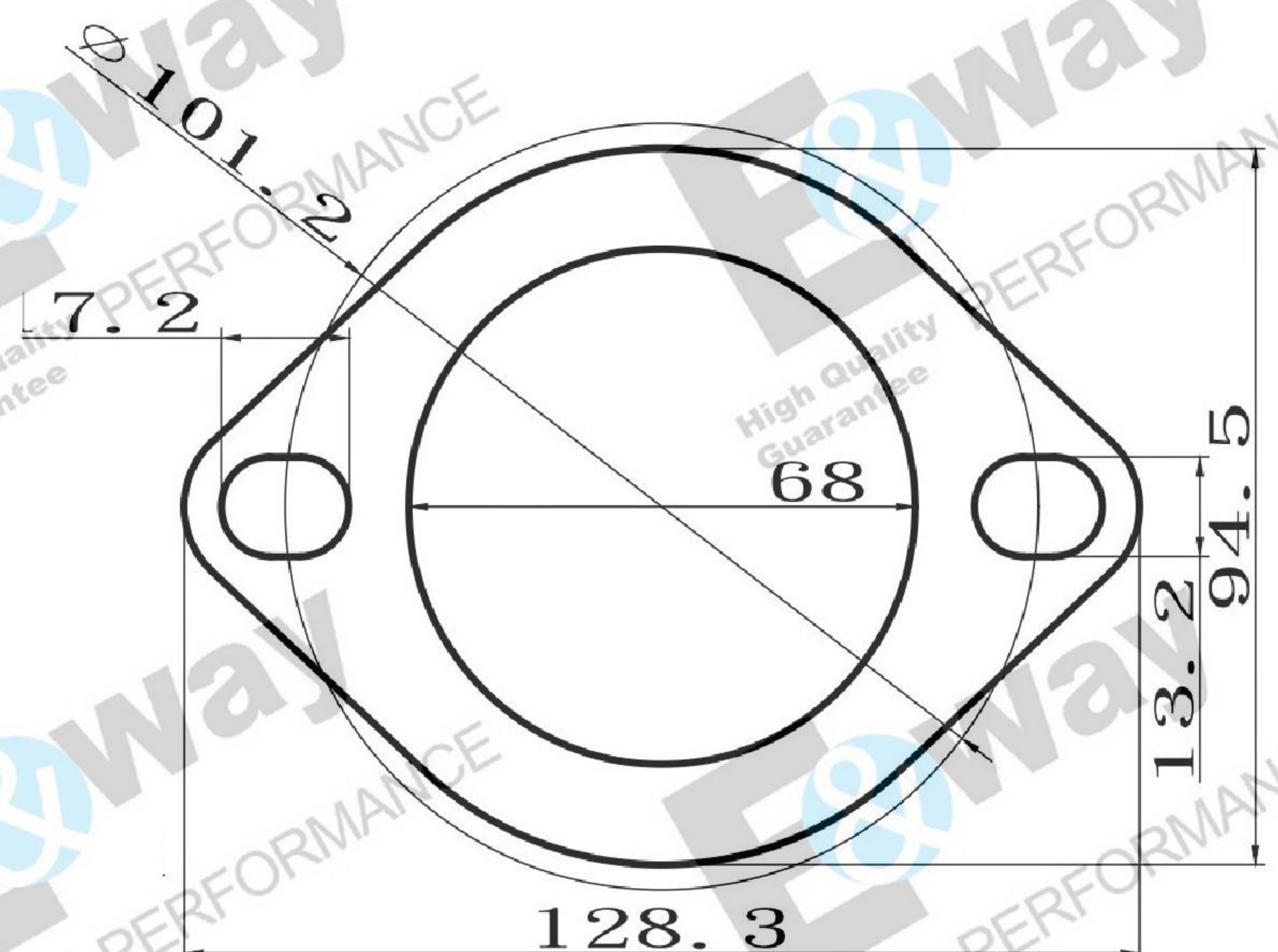
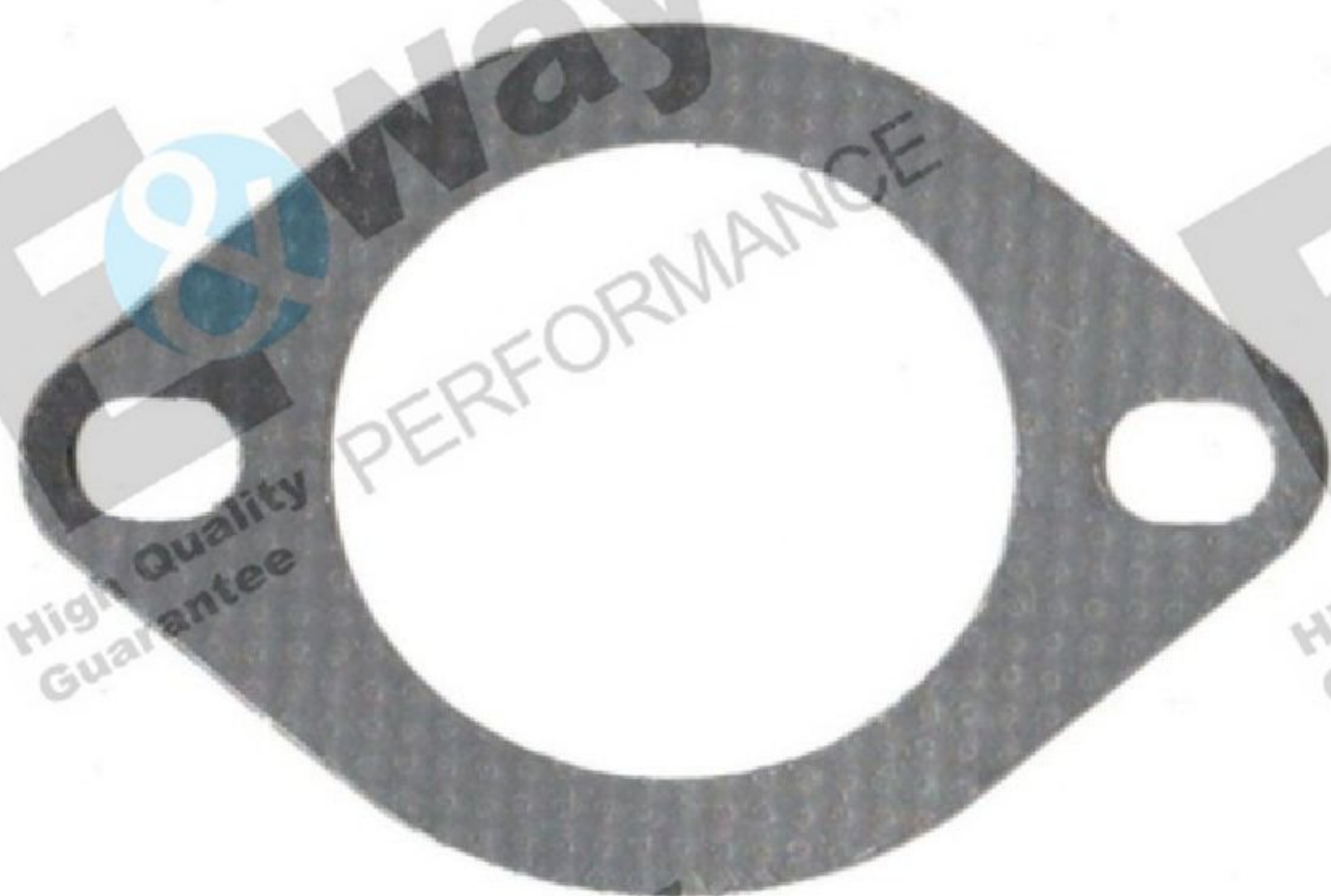
Inside Diameter(ID)=70.3/mm(2.76")
 Bolt Circle=105/mm(4.13")
 Bolt Hole=11.9/mm(0.46")
 Thickness=1.6~2.0/mm(0.06"~0.08")
 Material:Steel(Mixed Asbestos Free)+Stainless Steel(Hole)

EP2-031



Inside Diameter(ID)=65/mm(2.55")
 Bolt Circle=96.1/mm(3.78")
 Bolt Hole=14/mm(0.55")
 Thickness=1.6~2.0/mm(0.06"~0.08")
 Material:Steel(Mixed Asbestos Free)+Stainless Steel(Hole)

EP2-032

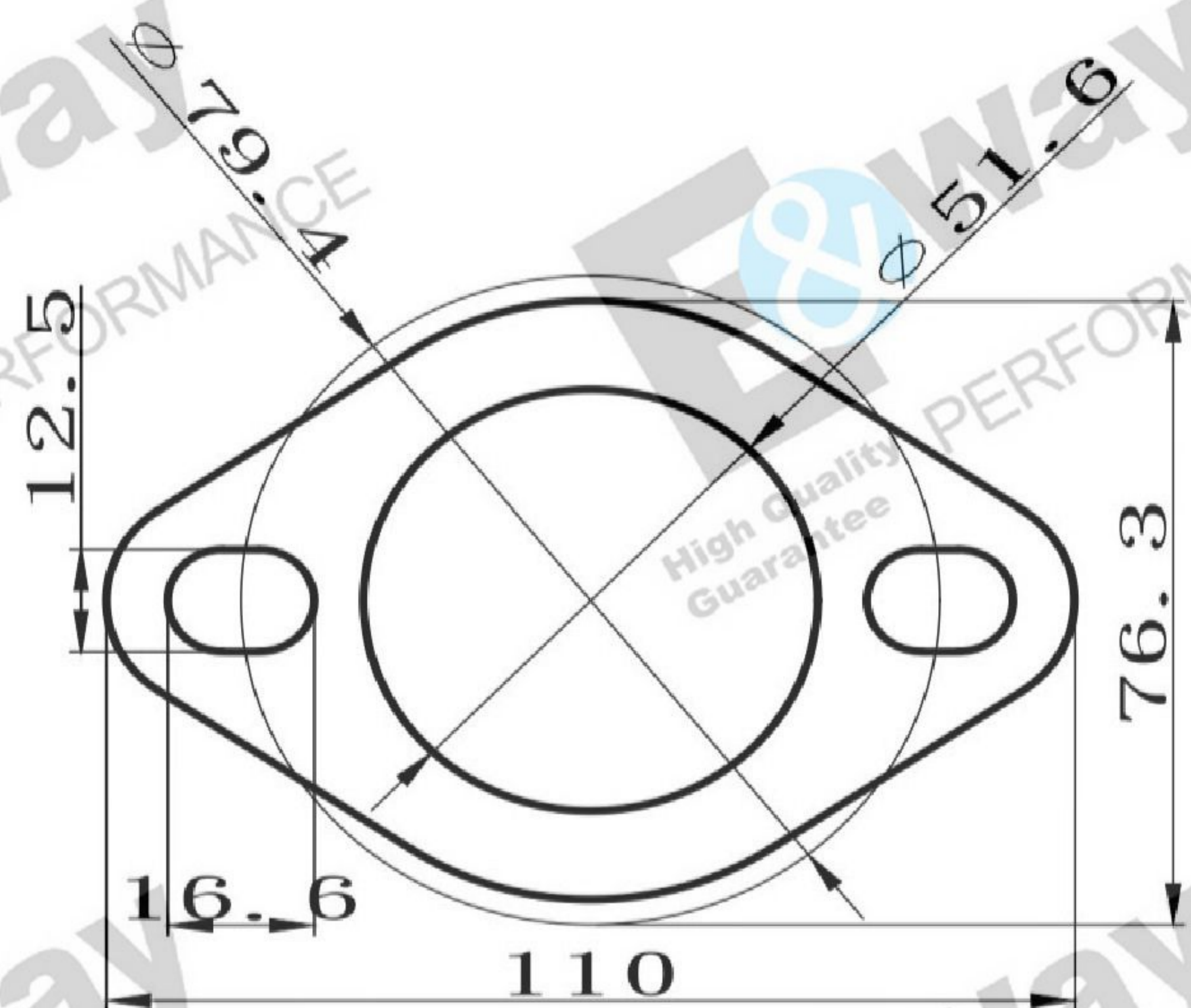


Inside Diameter(ID)=68/mm(2.67")
 Bolt Circle=101.2/mm(3.98")
 Bolt Hole=13.2/mm(0.51")
 Thickness=1.6~2.0/mm(0.06"~0.08")
 Material:Graphite(Mixed Steel)

EP2-033

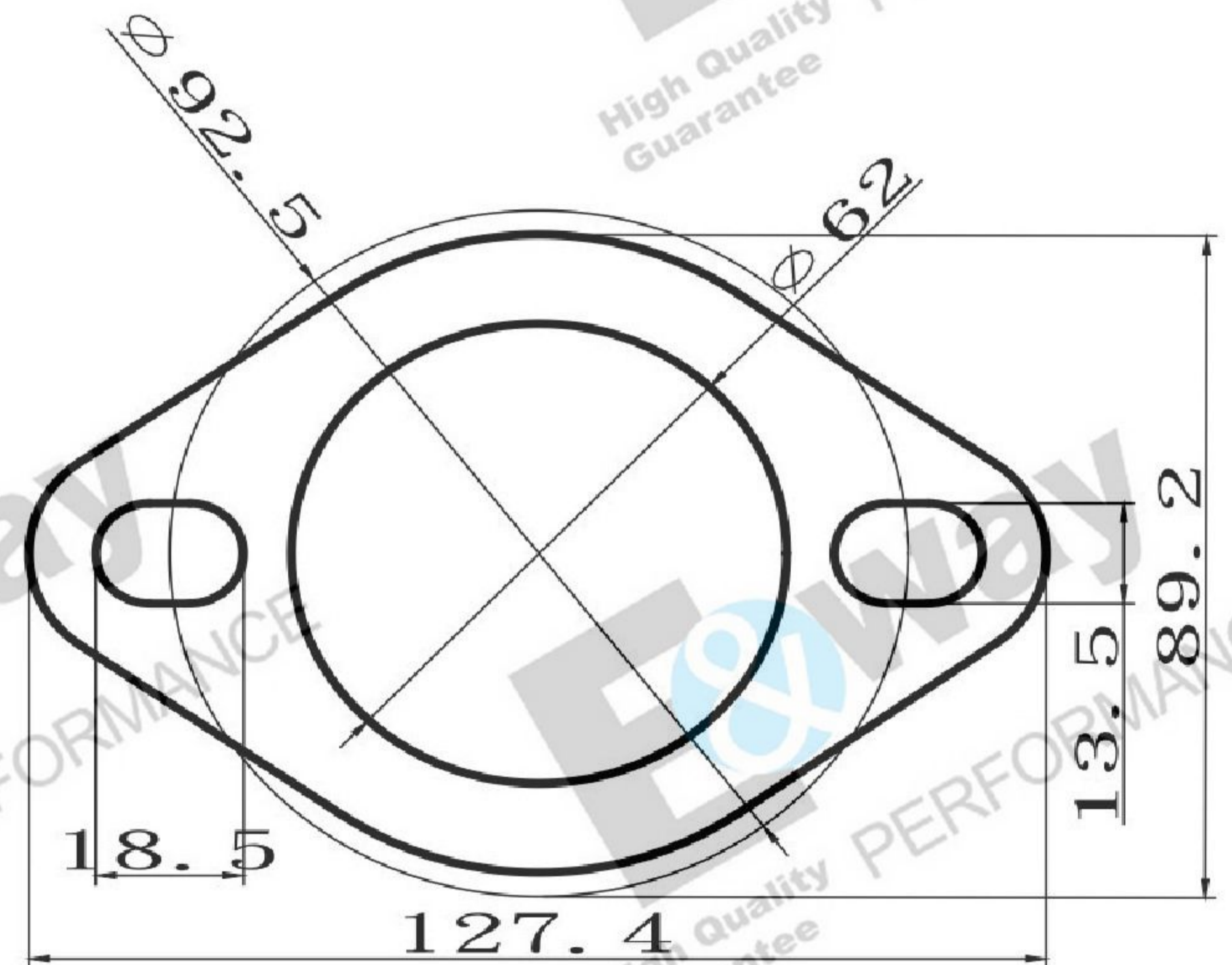
2-Bolt Exhaust Flange/Muffler/Pipe Gasket P12

P12



Inside Diameter(ID)=51.6/mm(2.03")
Bolt Circle=79.4/mm(3.13")
Bolt Hole=12.5/mm(0.49")
Thickness=1.6~2.0/mm(0.06"~0.08")
Material:Steel(Mixed Asbestos Free)+Stainless Steel(Hole)

EP2-034



Inside Diameter(ID)=62/mm(2.44")
Bolt Circle=92.5/mm(3.64")
Bolt Hole=13.5/mm(0.53")
Thickness=1.6~2.0/mm(0.06"~0.08")
Material:Steel(Mixed Asbestos Free)+Stainless Steel(Hole)

EP2-035

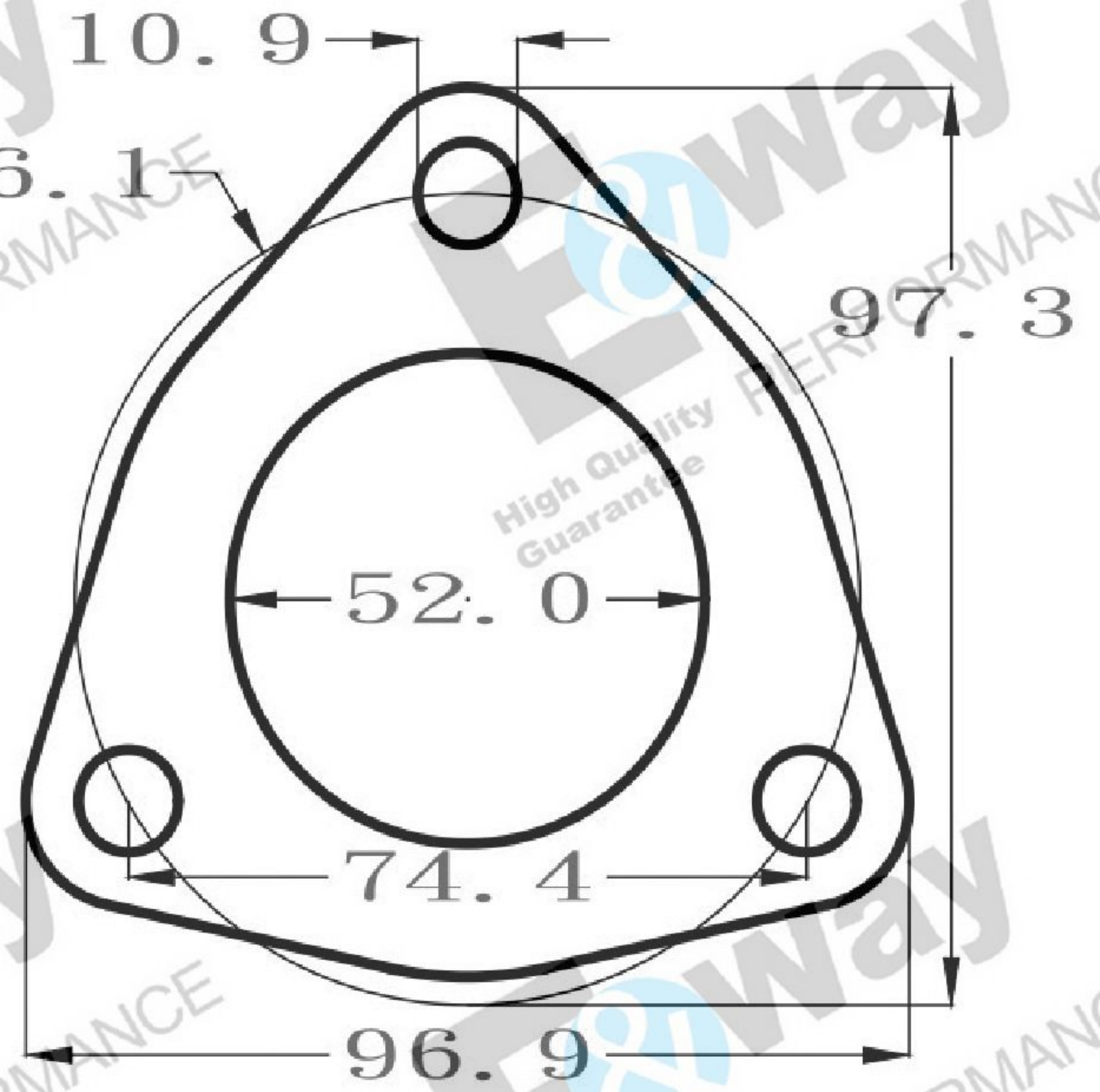
3-Bolt Exhaust Flange/Muffler/Pipe Gasket P1

P1



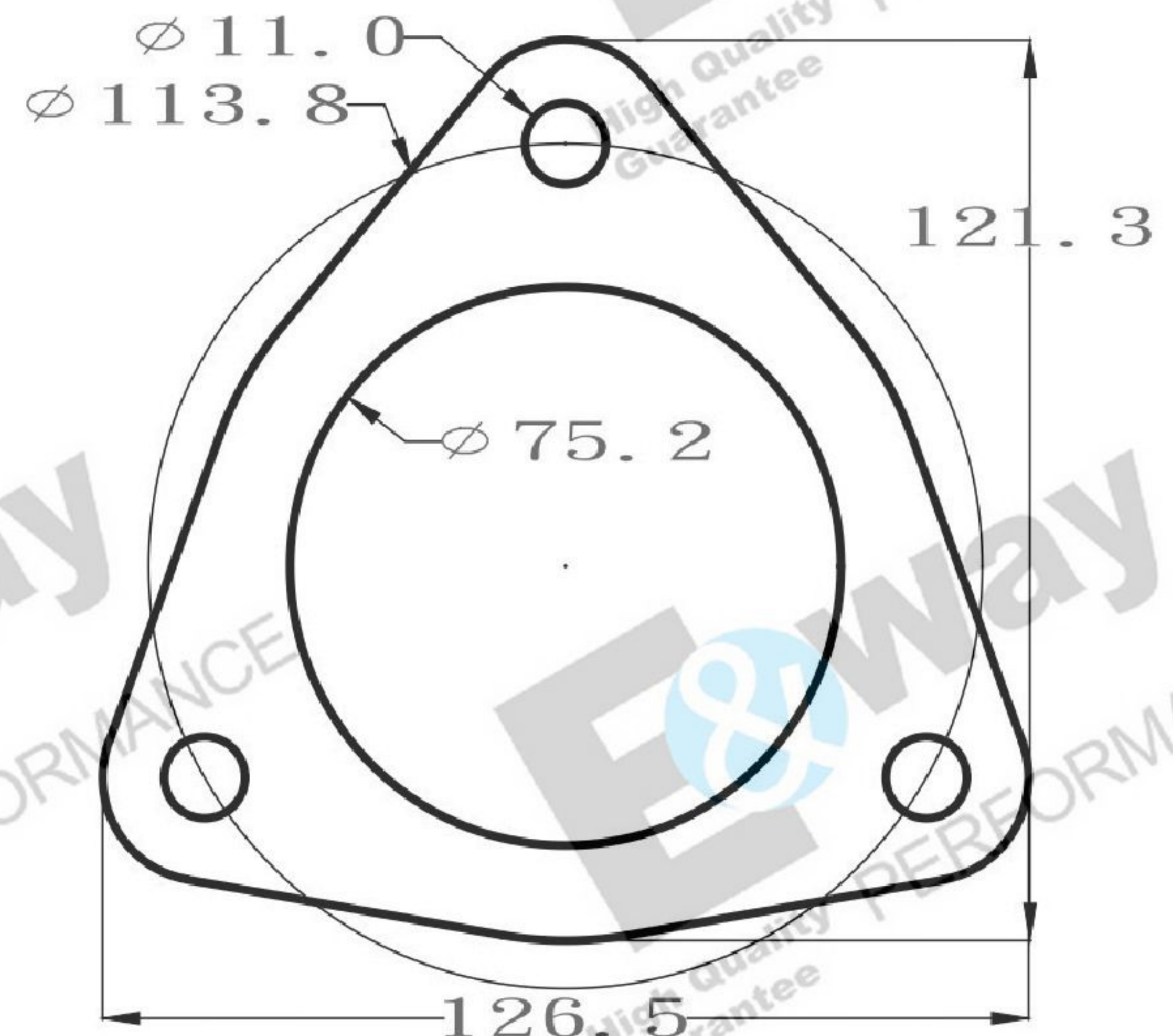
Inside Diameter(ID)=52/mm(2.04")
Bolt Circle=86.1/mm(3.38")
Bolt Hole=10.9/mm(0.42")
Thickness=1.0/mm(0.04")
Material:Stainless Steel(3-Layer)

EP3-001



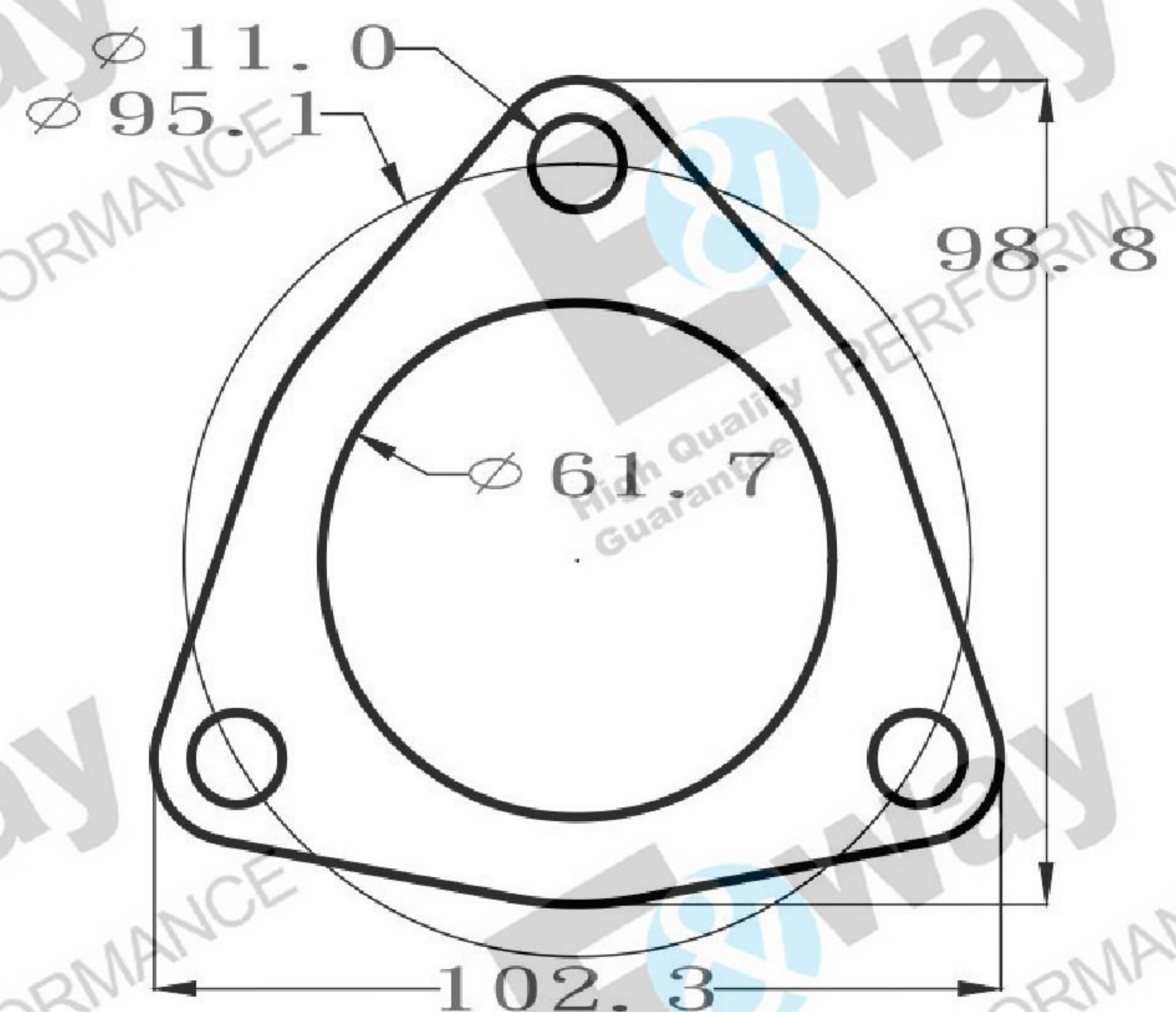
Inside Diameter(ID)=75.2/mm(2.96")
Bolt Circle=113.8/mm(4.48")
Bolt Hole=11/mm(0.43")
Thickness=1.6~2.0/mm(0.06"~0.08")
Material:Steel(Mixed Asbestos Free)+Steel(Hole)

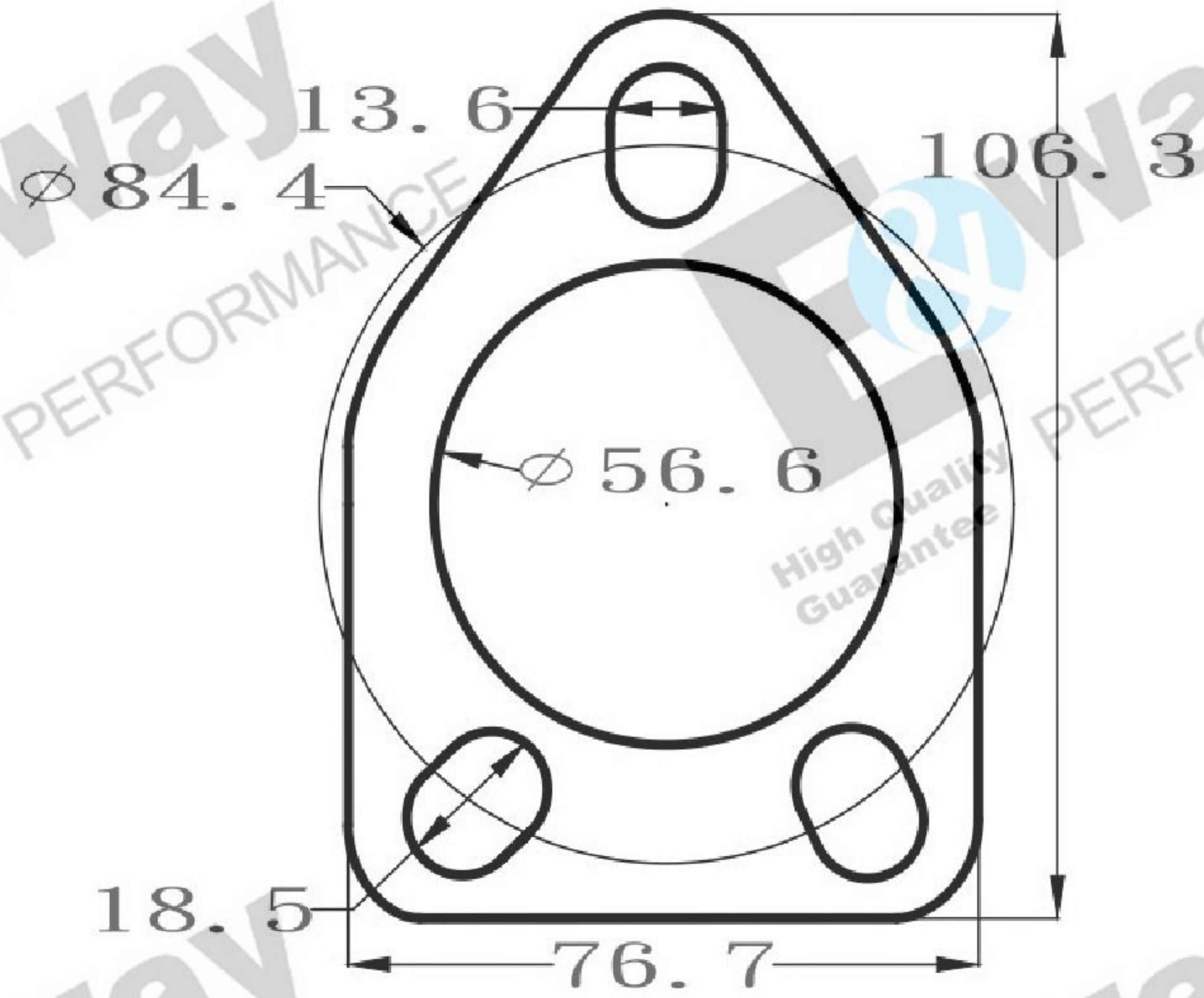
EP3-002



Inside Diameter(ID)=61.7/mm(2.42")
Bolt Circle=95.1/mm(3.74")
Bolt Hole=11/mm(0.43")
Thickness=1.6~2.0/mm(0.06"~0.08")
Material:Steel(Mixed Asbestos Free)+Steel(Hole)

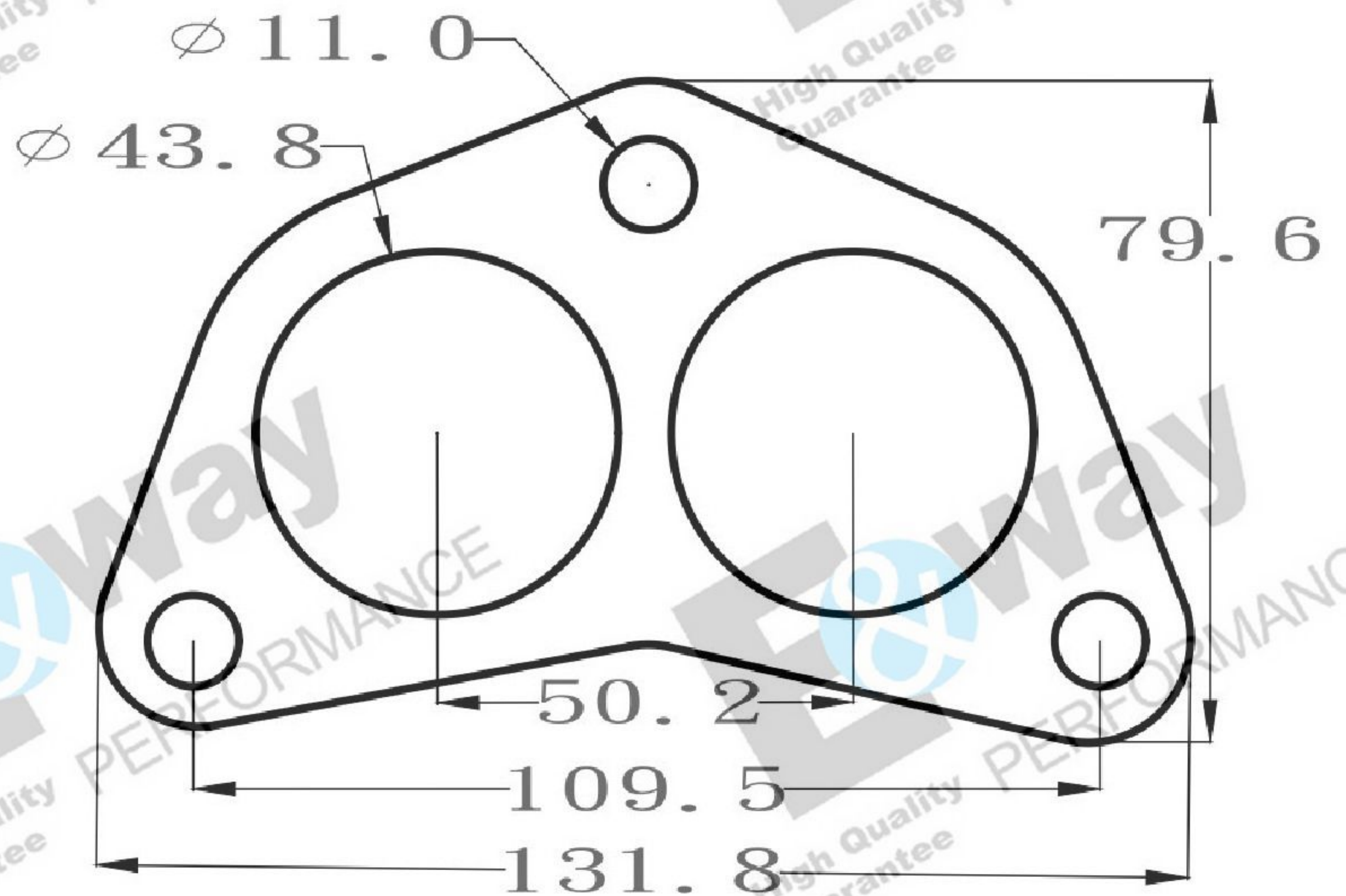
EP3-003





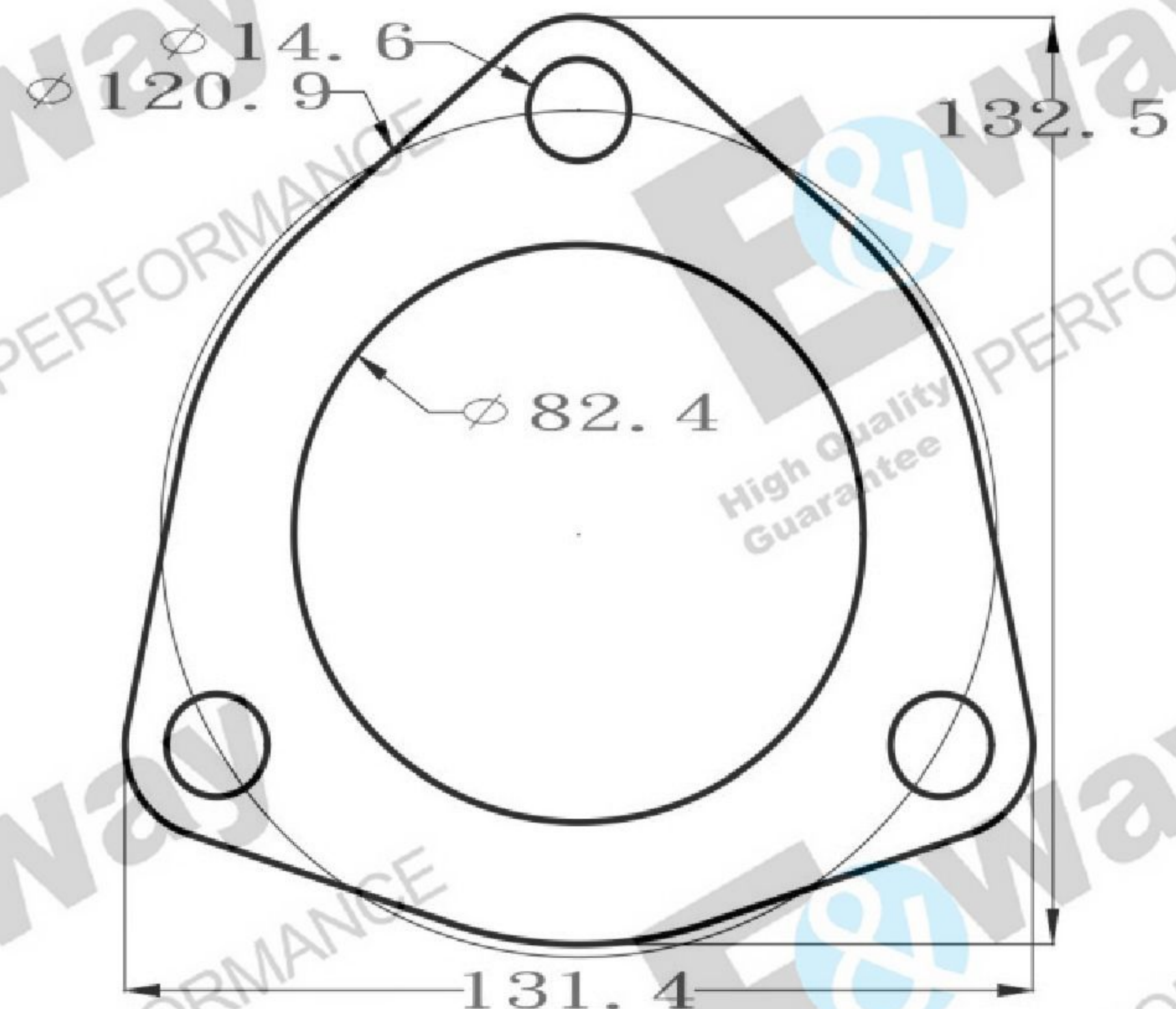
Inside Diameter(ID)=56.6/mm(2.22")
 Bolt Circle=84.4/mm(3.32")
 Bolt Hole=13.6/mm(0.53")
 Thickness=1.6~2.0/mm(0.06"~0.08")
 Material:Steel(Mixed Asbestos Free)+Stainless Steel(Hole)

EP3-004



Inside Diameter(ID)=43.8/mm(1.72")
 Bolt Circle=109.5/mm(4.31")
 Bolt Hole=11/mm(0.43")
 Thickness=1.6~2.0/mm(0.06"~0.08")
 Material:Steel(Mixed Asbestos Free)+Stainless Steel(2-Hole)

EP3-005

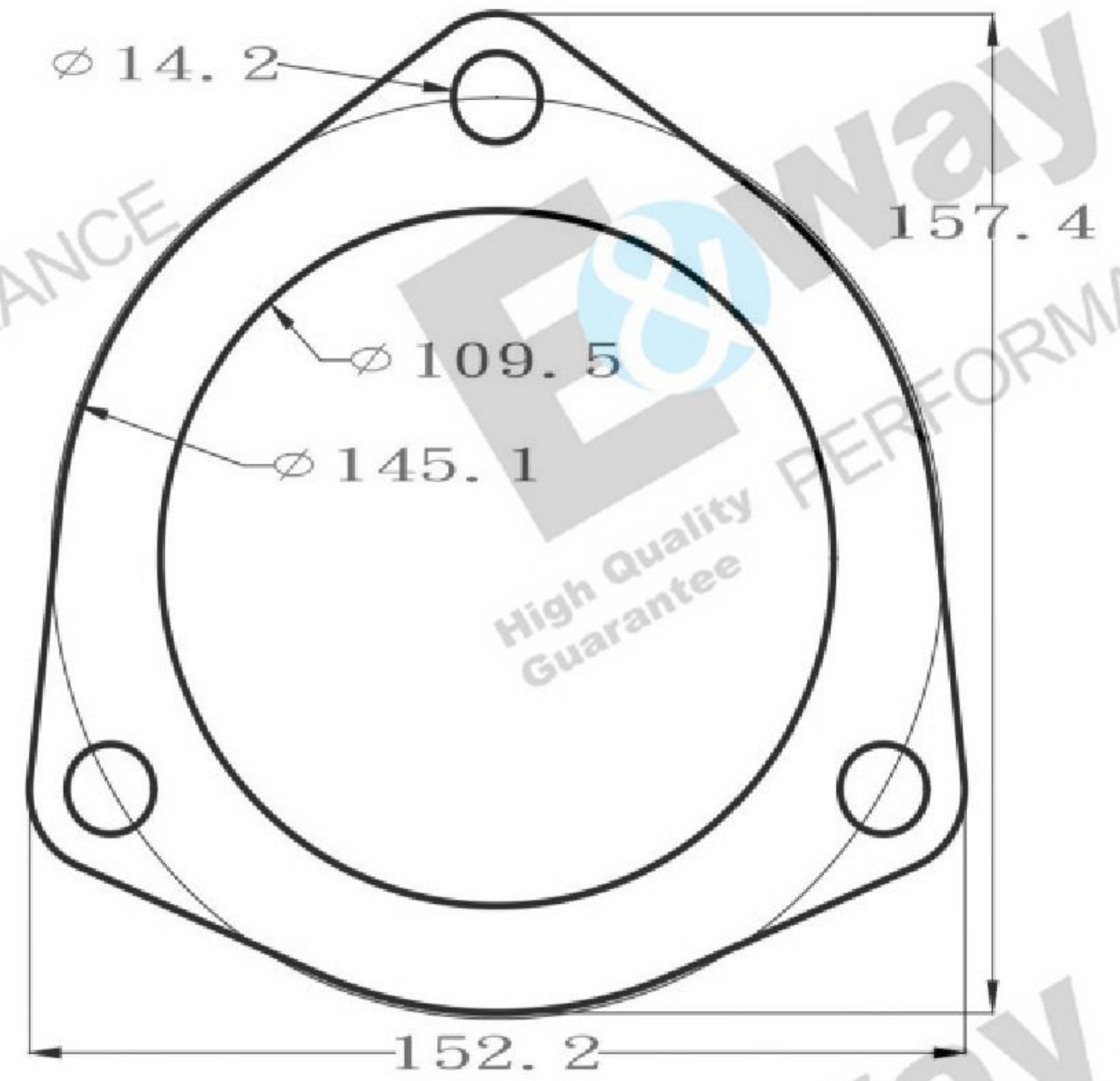


Inside Diameter(ID)=82.4/mm(3.24")
 Bolt Circle=120.9/mm(4.76")
 Bolt Hole=14.6/mm(0.57")
 Thickness=1.6~2.0/mm(0.06"~0.08")
 Material:Steel(Mixed Asbestos Free)+Stainless Steel(Hole)

EP3-006

3-Bolt Exhaust Flange/Muffler/Pipe Gasket P3

P3



Inside Diameter(ID)=109.5/mm(4.31")

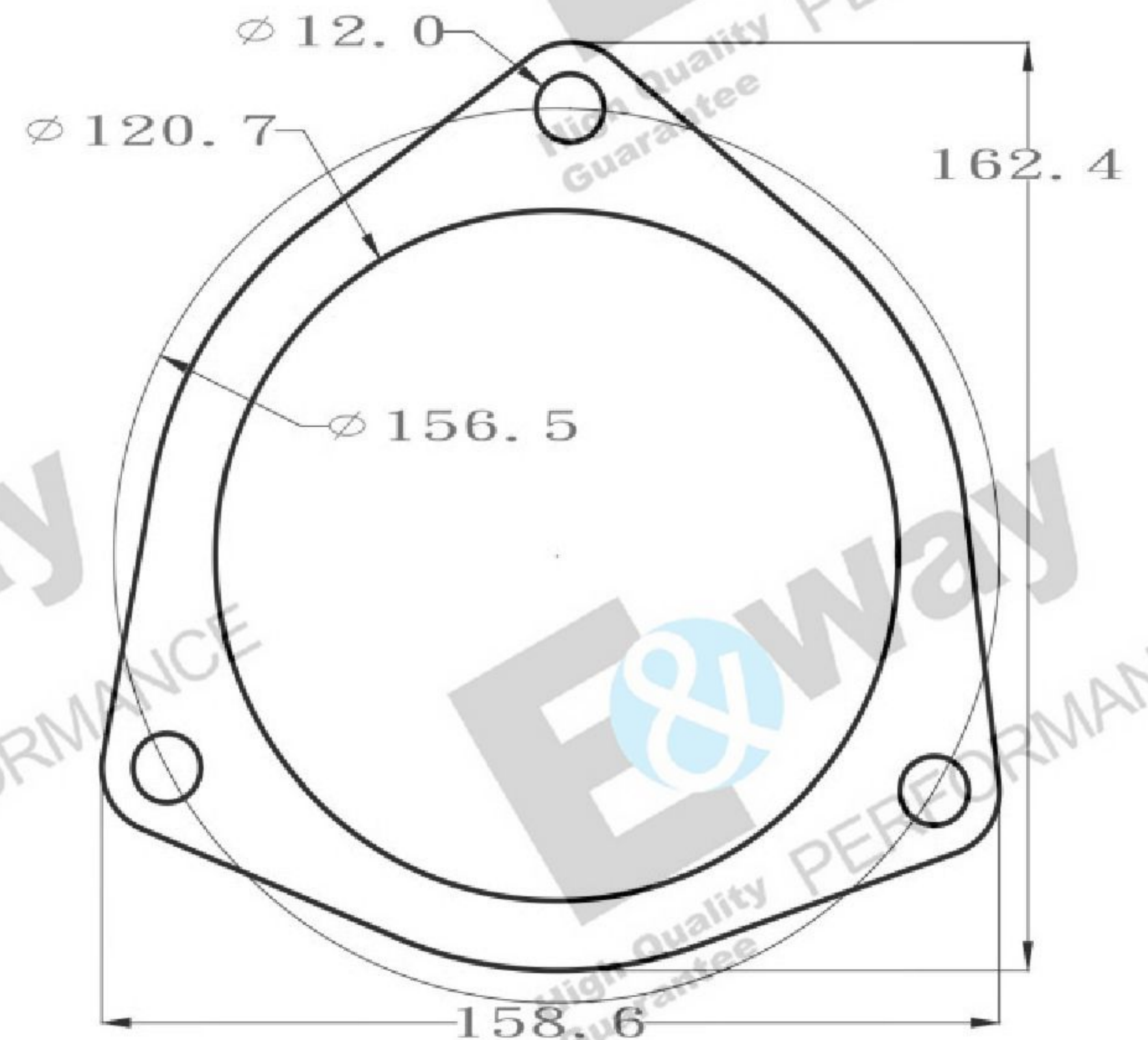
Bolt Circle=145.1/mm(5.71")

Bolt Hole=14.2/mm(0.55")

Thickness=1.6~2.0/mm(0.06"~0.08")

Material:Graphite(Mixed Steel)+Stainless Steel(Hole)+Copper+Steel(MoS2 Coated)

EP3-007



Inside Diameter(ID)=120.7/mm(4.75")

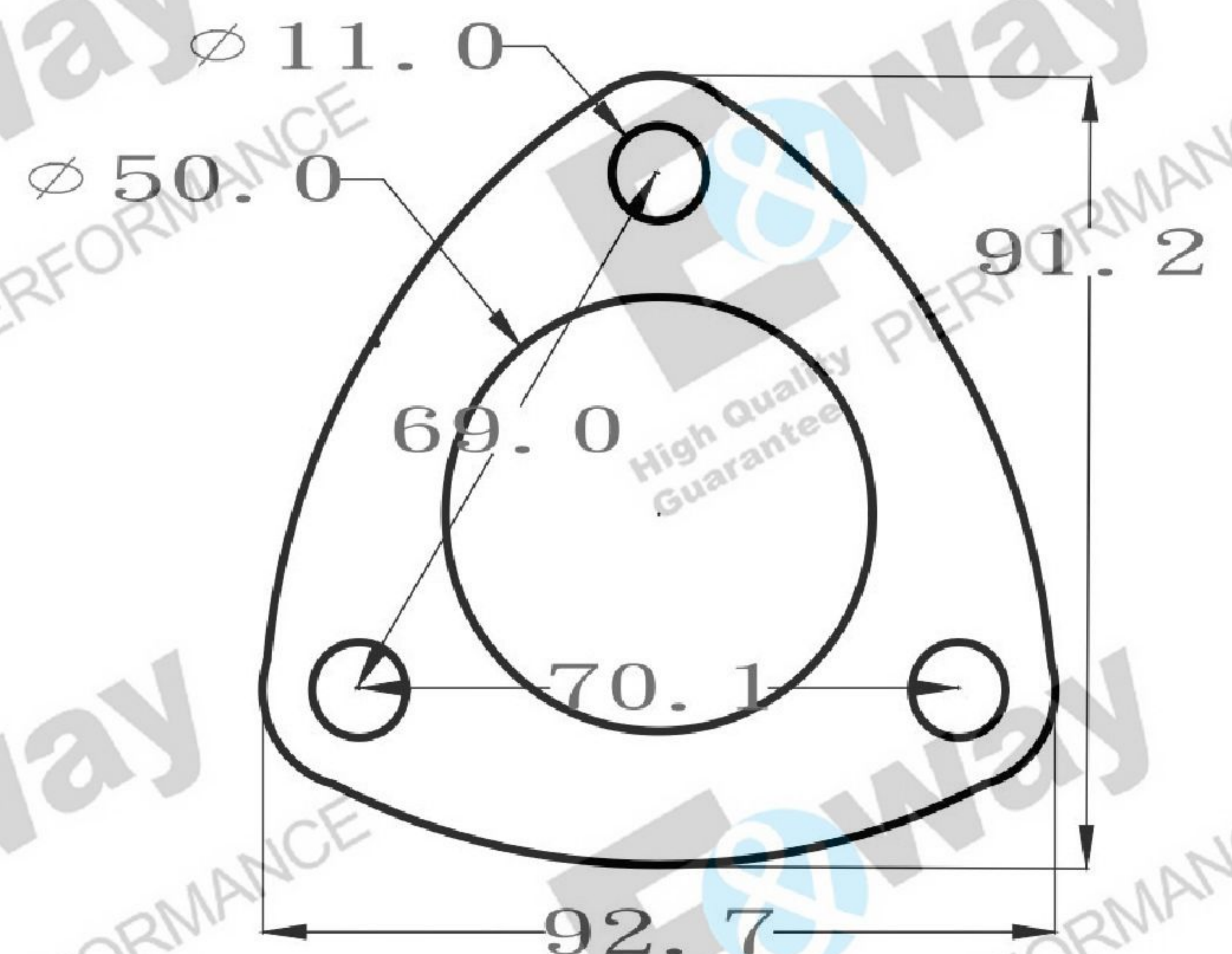
Bolt Circle=156.5/mm(6.16")

Bolt Hole=12/mm(0.47")

Thickness=1.6~2.0/mm(0.06"~0.08")

Material:Graphite(Mixed Steel)+Stainless Steel(Hole)+Copper+Steel(MoS2 Coated)

EP3-008



Inside Diameter(ID)=50/mm(1.96")

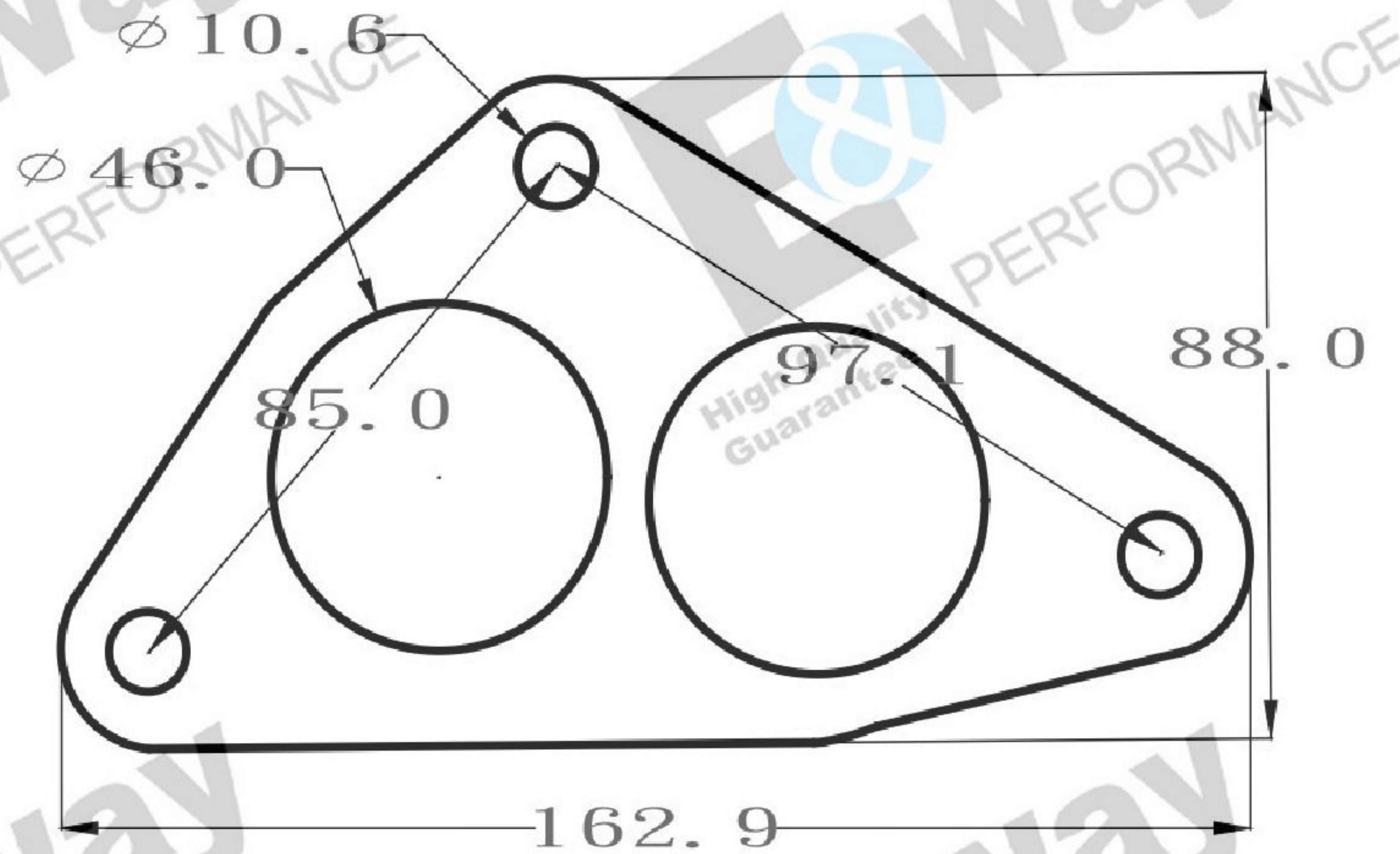
Bolt To Bolt=69/mm(2.71")70.1/mm(2.75")

Bolt Hole=11/mm(0.43")

Thickness=1.6~2.0/mm(0.06"~0.08")

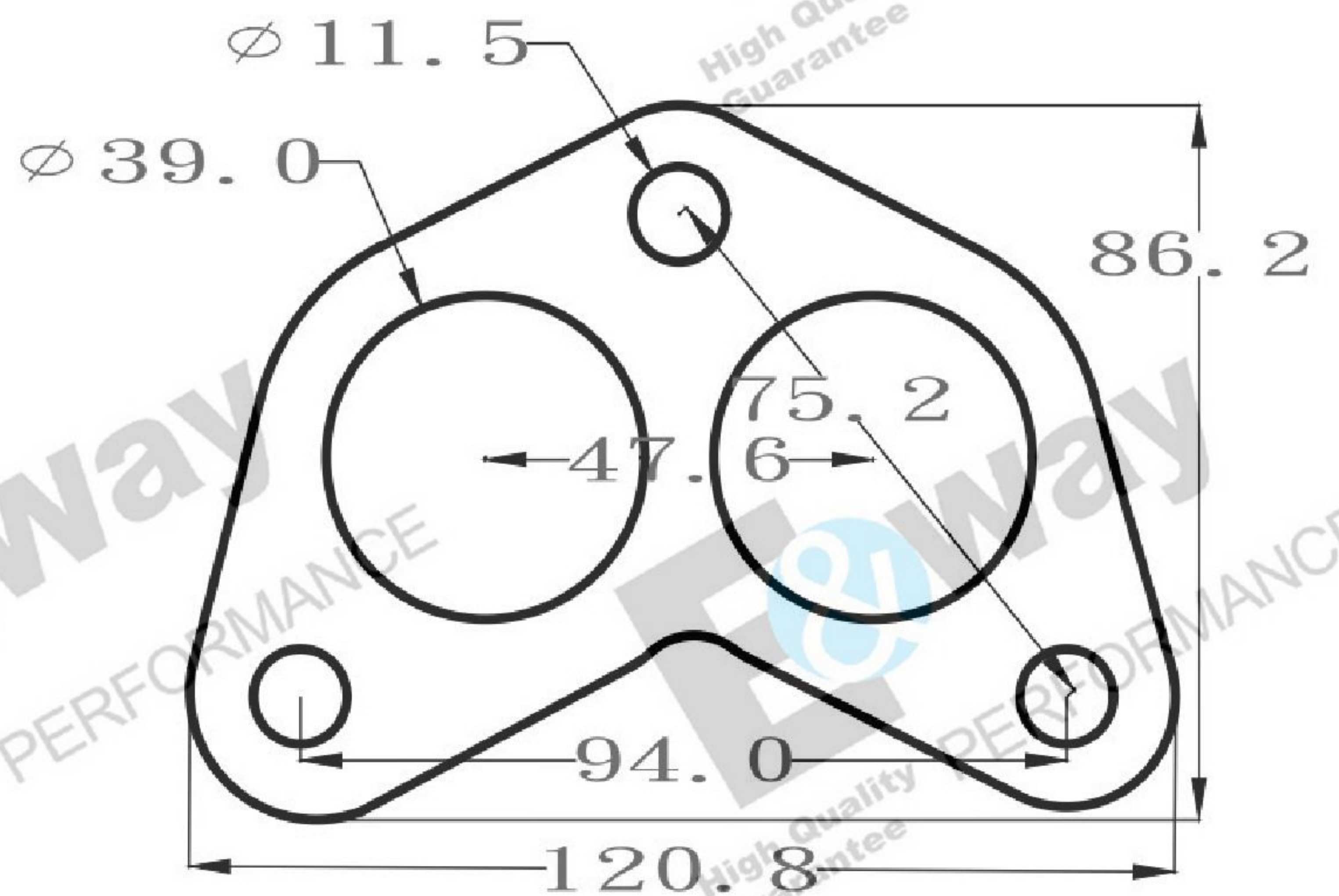
Material:Steel(Mixed Asbestos Free)+Stainless Steel(Hole)

EP3-009



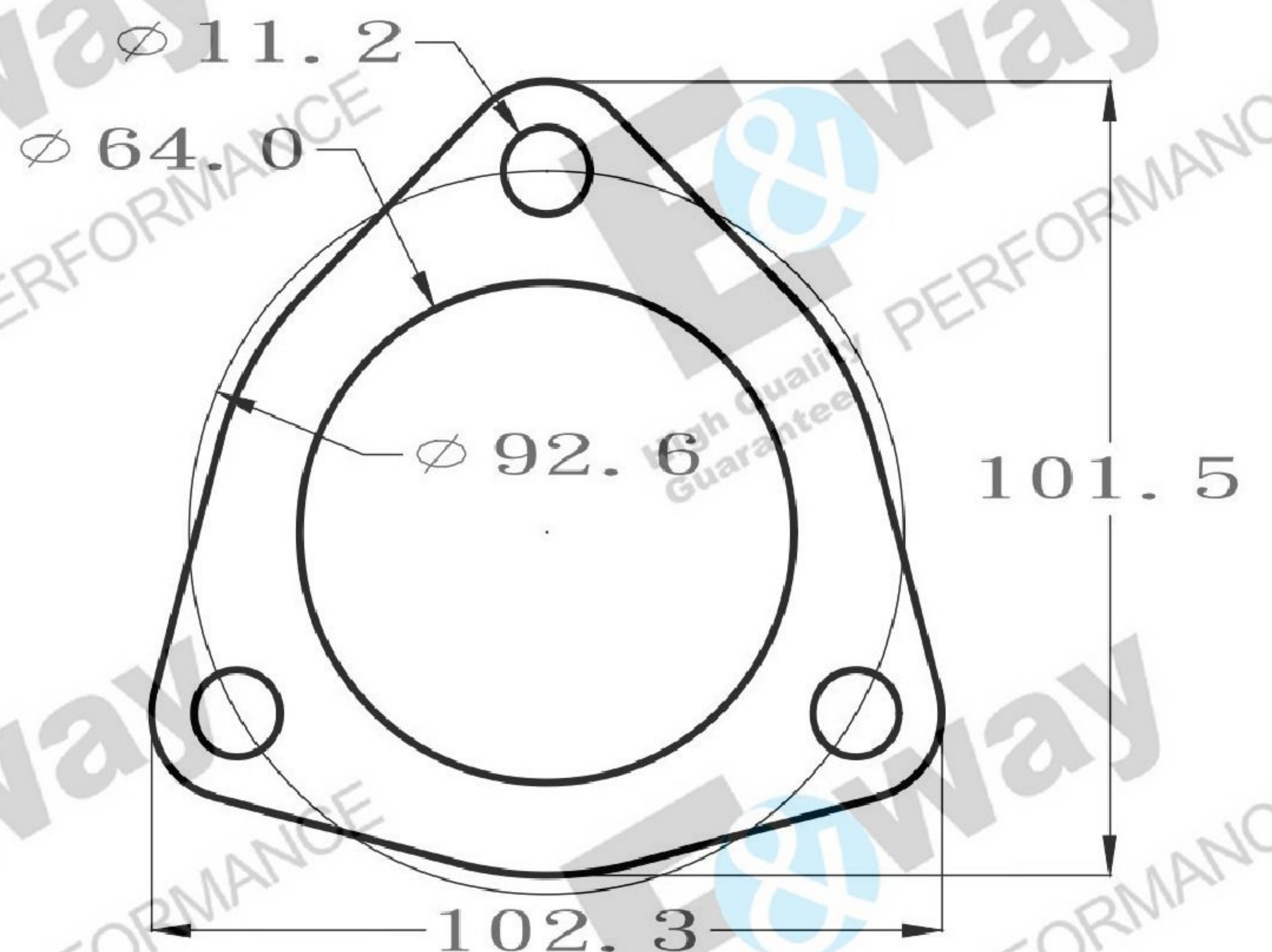
Inside Diameter(ID)=46/mm(1.81")
 Bolt Circle=85/mm(3.34") 97.1/mm(3.82")
 Bolt Hole=10.6/mm(0.41")
 Thickness=1.6~2.0/mm(0.06"~0.08")
 Material:Steel(Mixed Asbestos Free)

EP3-010



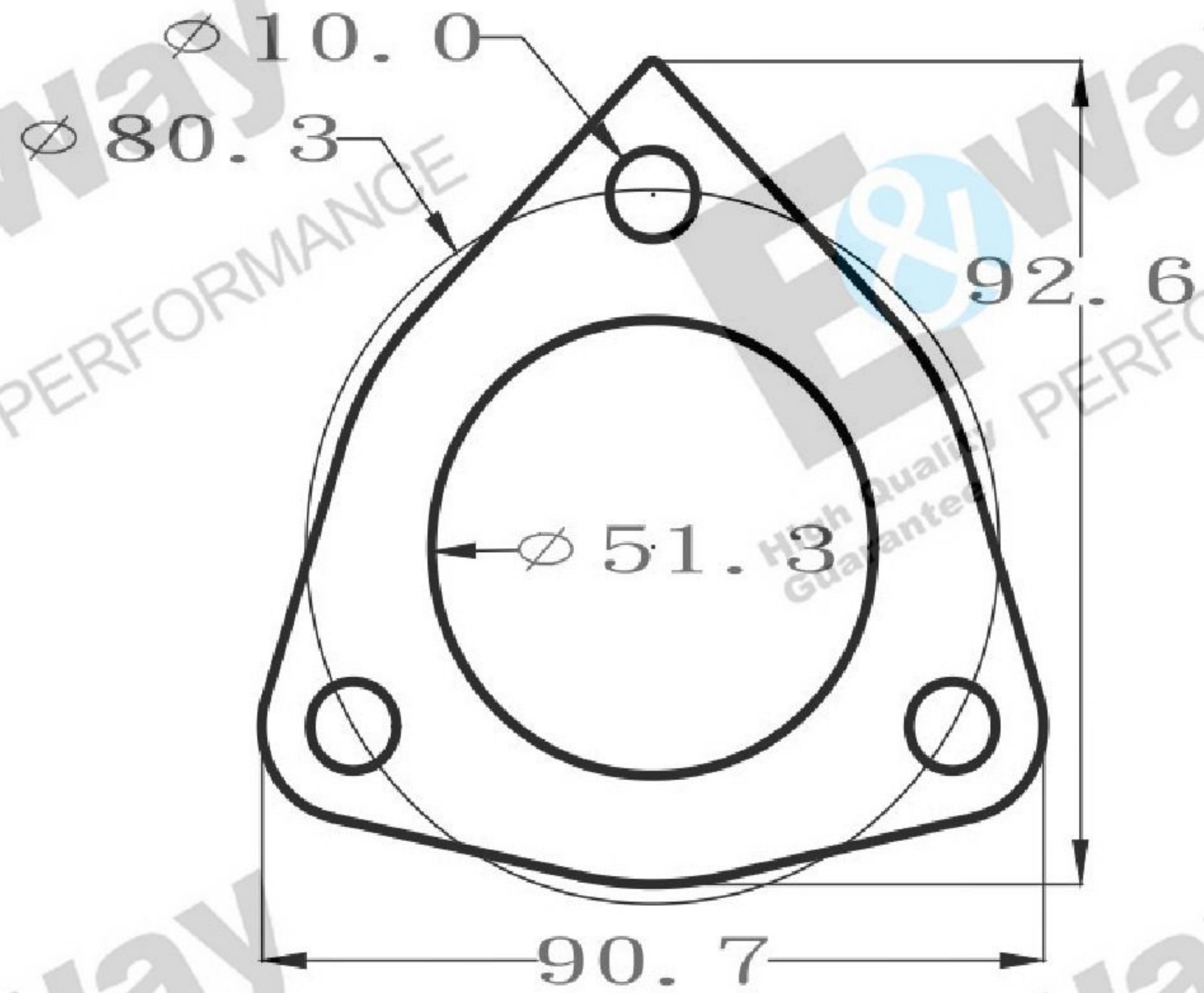
Inside Diameter(ID)=39/mm(1.53")
 Bolt Circle=94/mm(3.70") 75.2/mm(2.96")
 Bolt Hole=11.5/mm(0.45")
 Thickness=1.6~2.0/mm(0.06"~0.08")
 Material:Graphite(Mixed Steel)+Stainless Steel(2-Hole)

EP3-011



Inside Diameter(ID)=64/mm(2.51")
 Bolt Circle=92.6/mm(3.64")
 Bolt Hole=11.2/mm(0.44")
 Thickness=1.6~2.0/mm(0.06"~0.08")
 Material:Steel(Mixed Asbestos Free)+Copper+Stainless Steel(Hole)

EP3-012



Inside Diameter(ID)=51.3/mm(2.01")

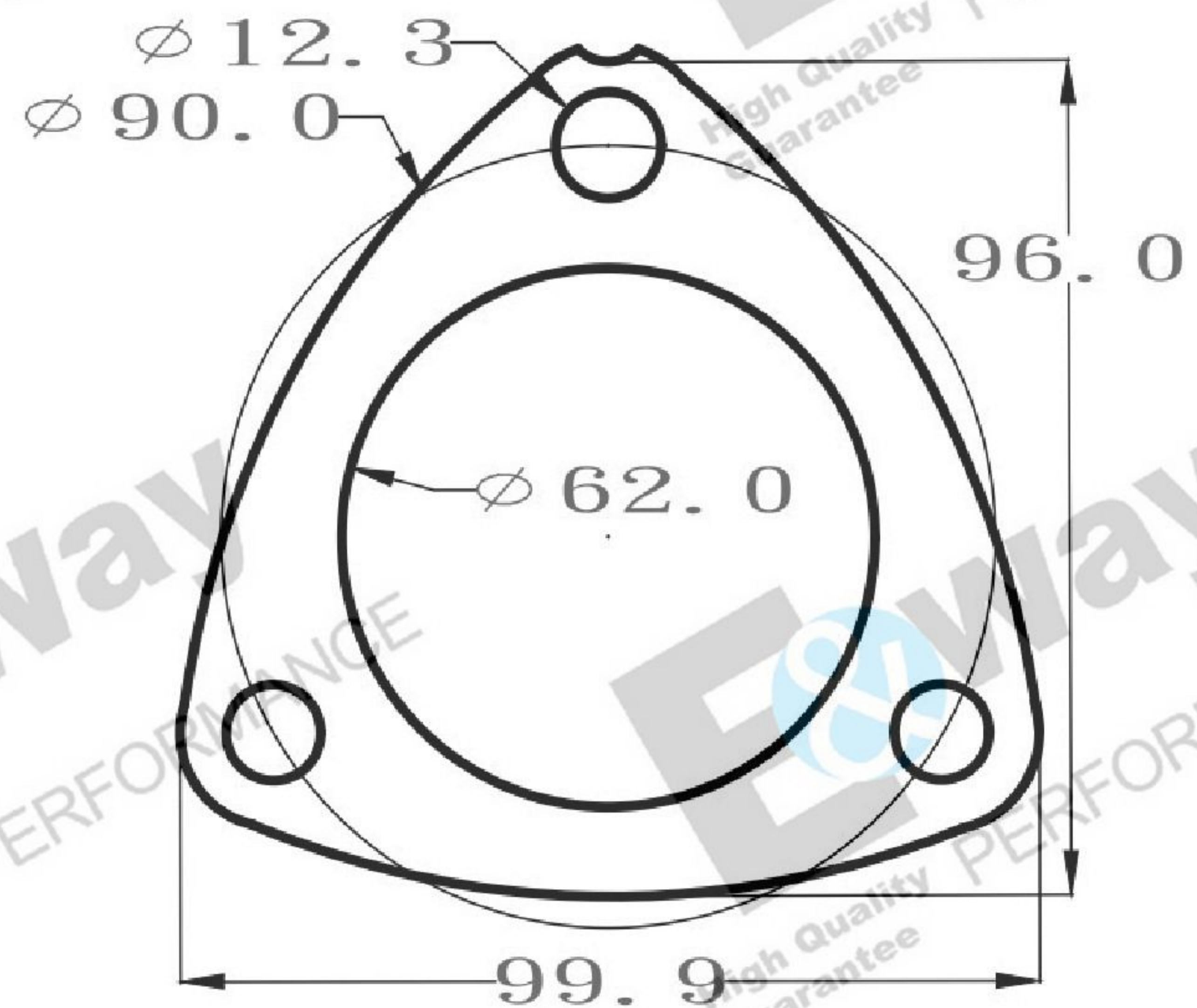
Bolt Circle=80.3/mm(3.16")

Bolt Hole=10/mm(0.39")

Thickness=1.6~2.0/mm(0.06"~0.08")

Material:Steel(Mixed Asbestos Free)+Copper+Stainless Steel(Hole)

EP3-013



Inside Diameter(ID)=62/mm(2.44")

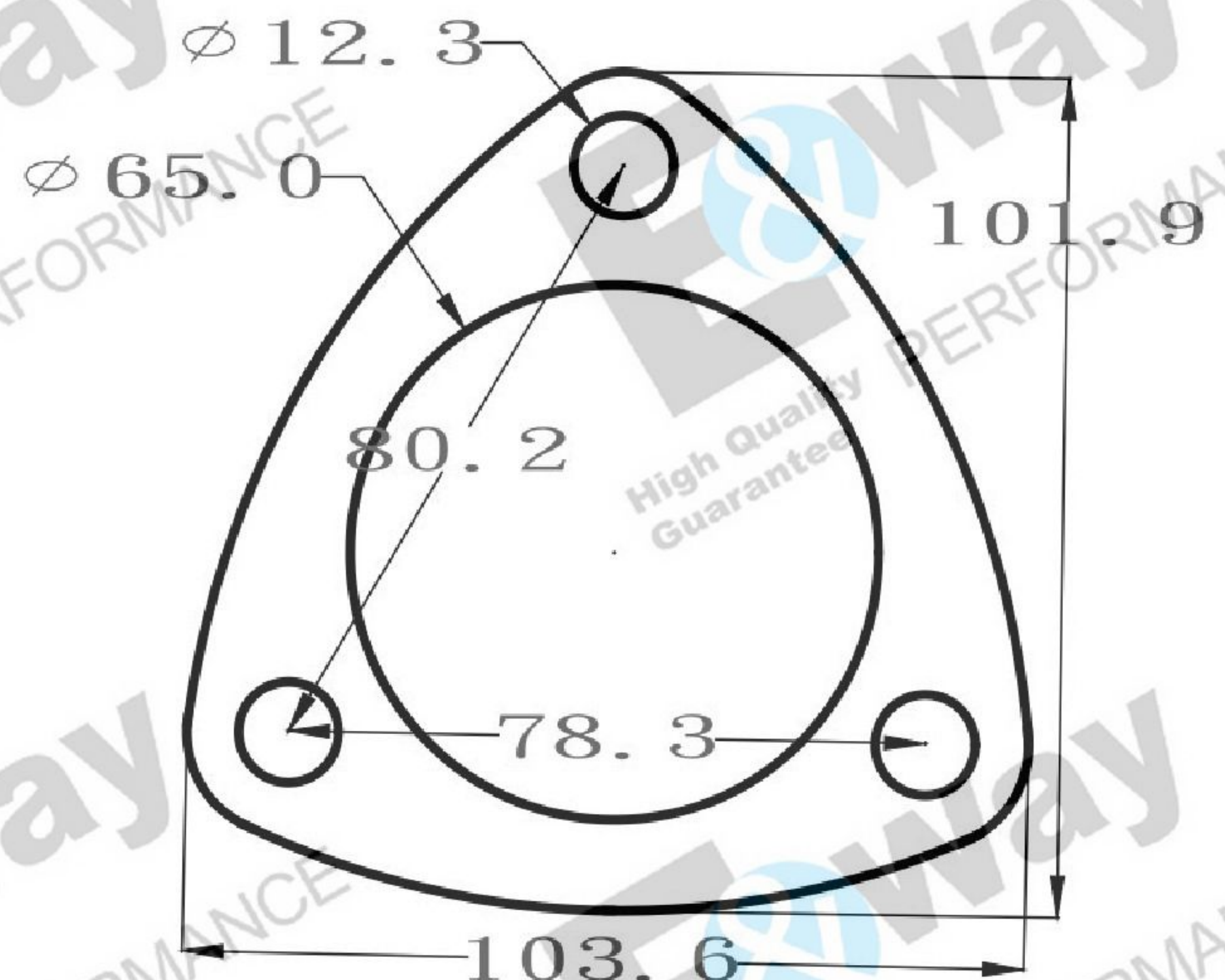
Bolt Circle=90/mm(3.54")

Bolt Hole=12.3/mm(0.48")

Thickness=1.6~2.0/mm(0.06"~0.08")

Material:Steel(Mixed Asbestos Free)+Steel(Hole)+Copper+Steel(MoS2 Coated)

EP3-014



Inside Diameter(ID)=65/mm(2.55")

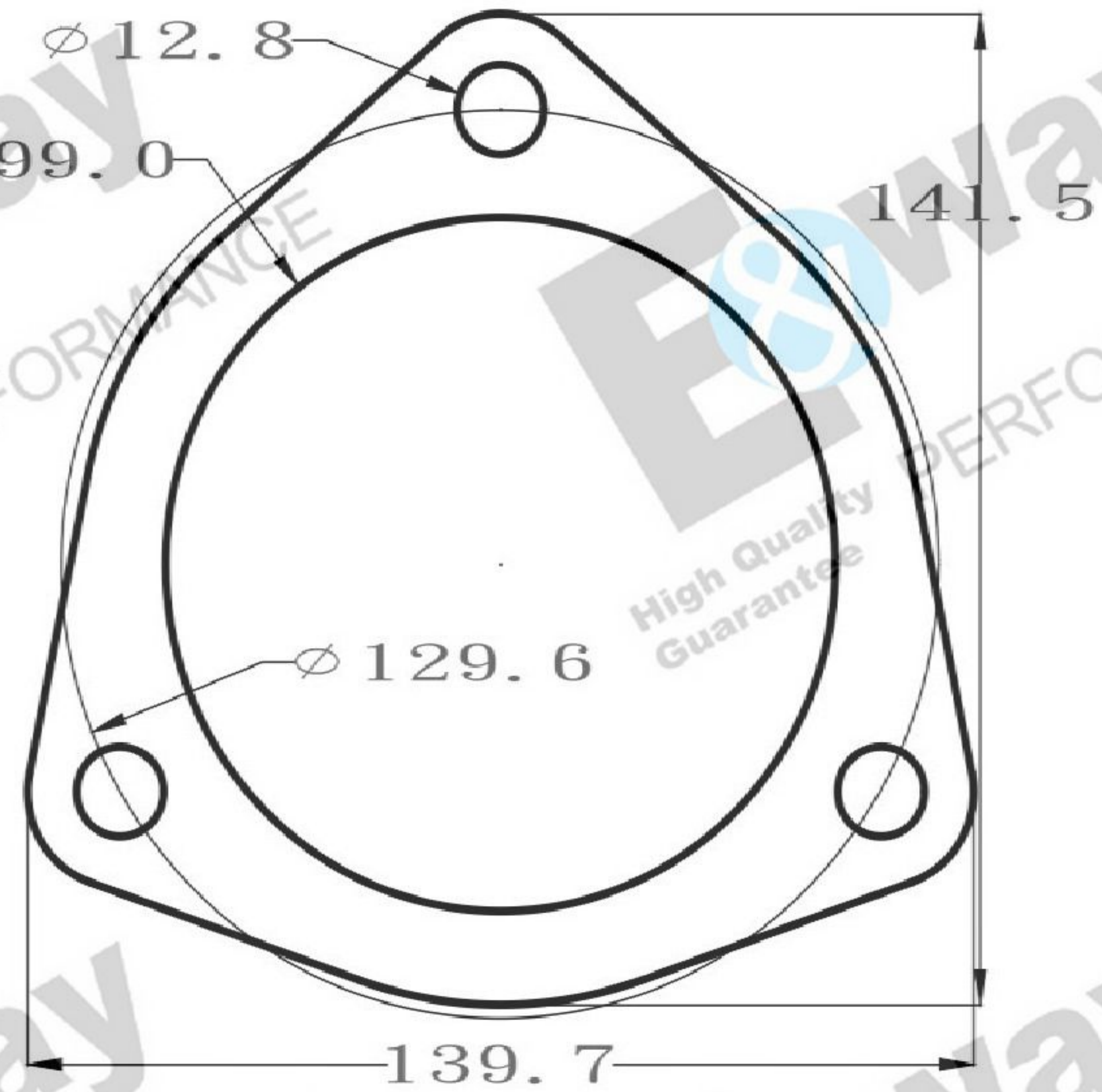
Bolt To Bolt=80.2/mm(3.16")78.3/mm(3.08")

Bolt Hole=12.3/mm(0.48")

Thickness=1.6~2.0/mm(0.06"~0.08")

Material:Steel(Mixed Asbestos Free)+Stainless Steel(Hole)

EP3-015



Inside Diameter(ID)=99/mm(3.89")

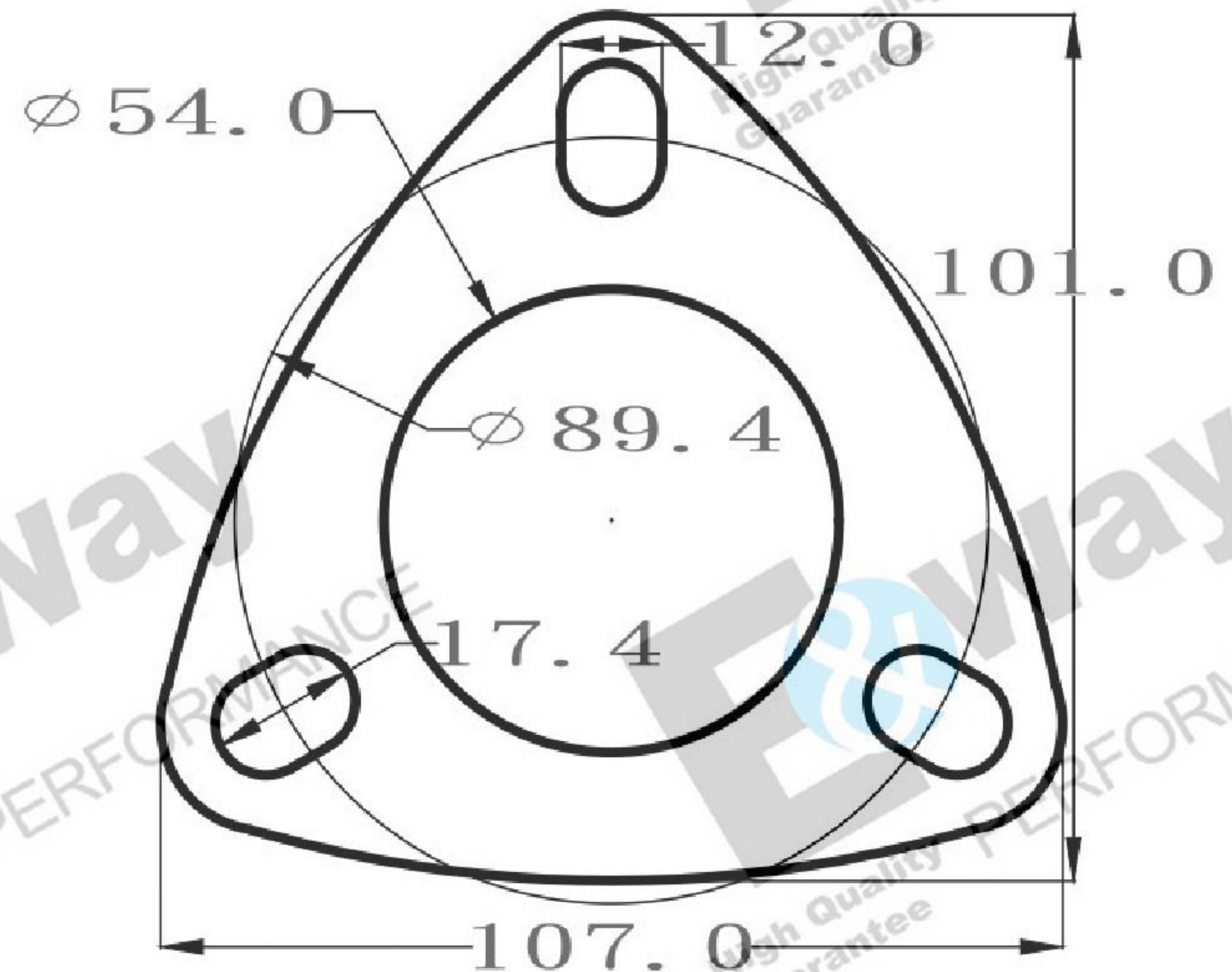
Bolt Circle=129.6/mm(5.10")

Bolt Hole=12.8/mm(0.50")

Thickness=1.6~2.0/mm(0.06"~0.08")

Material:Steel(Mixed Asbestos Free)+Stainless Steel(Hole)

EP3-016



Inside Diameter(ID)=54/mm(2.12")

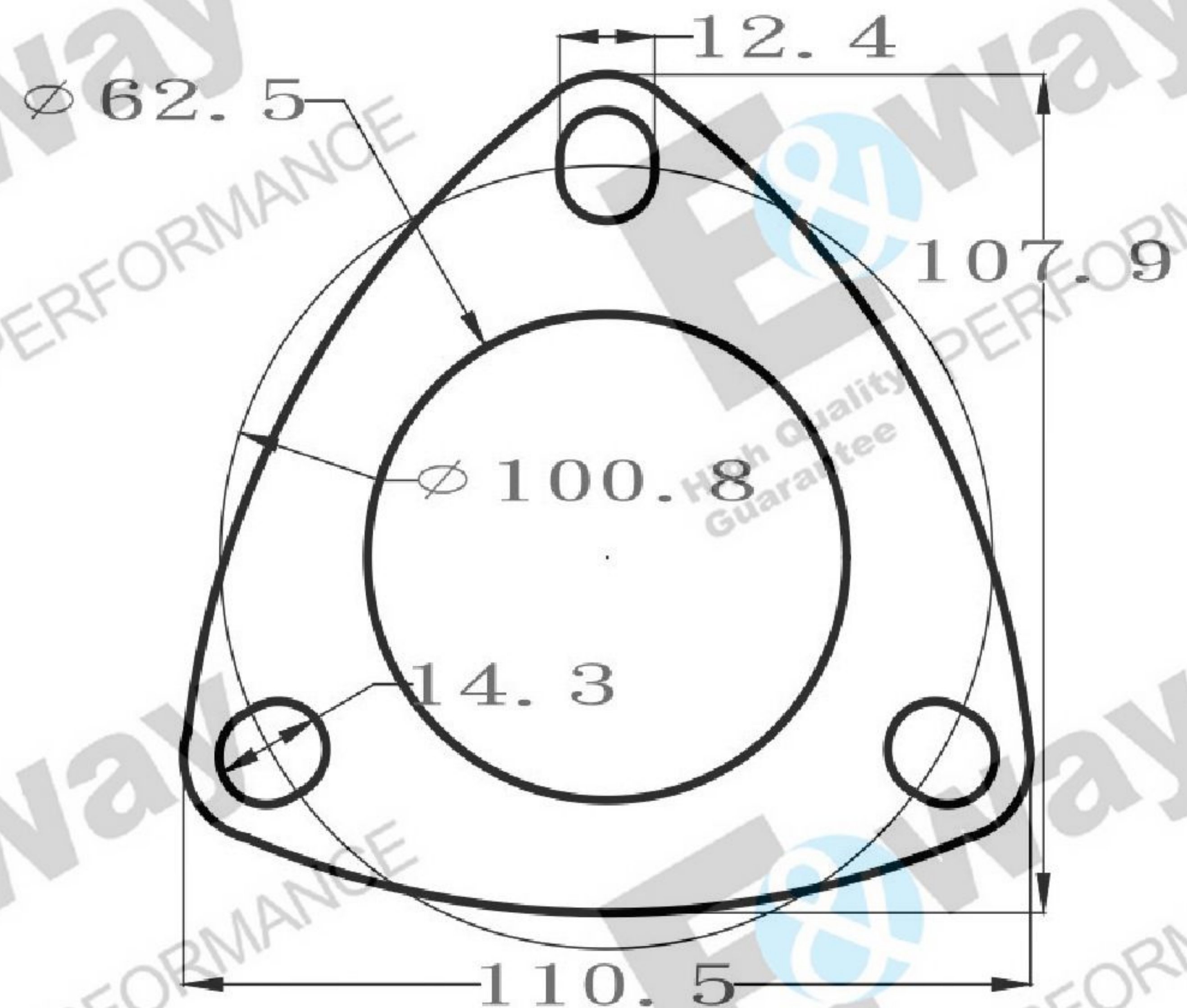
Bolt Circle=89.4/mm(3.51")

Bolt Hole=12/mm(0.47")

Thickness=1.6~2.0/mm(0.06"~0.08")

Material:Steel(Mixed Asbestos Free)

EP3-017



Inside Diameter(ID)=62.5/mm(2.46")

Bolt Circle=100.8/mm(3.97")

Bolt Hole=12.4/mm(0.48")

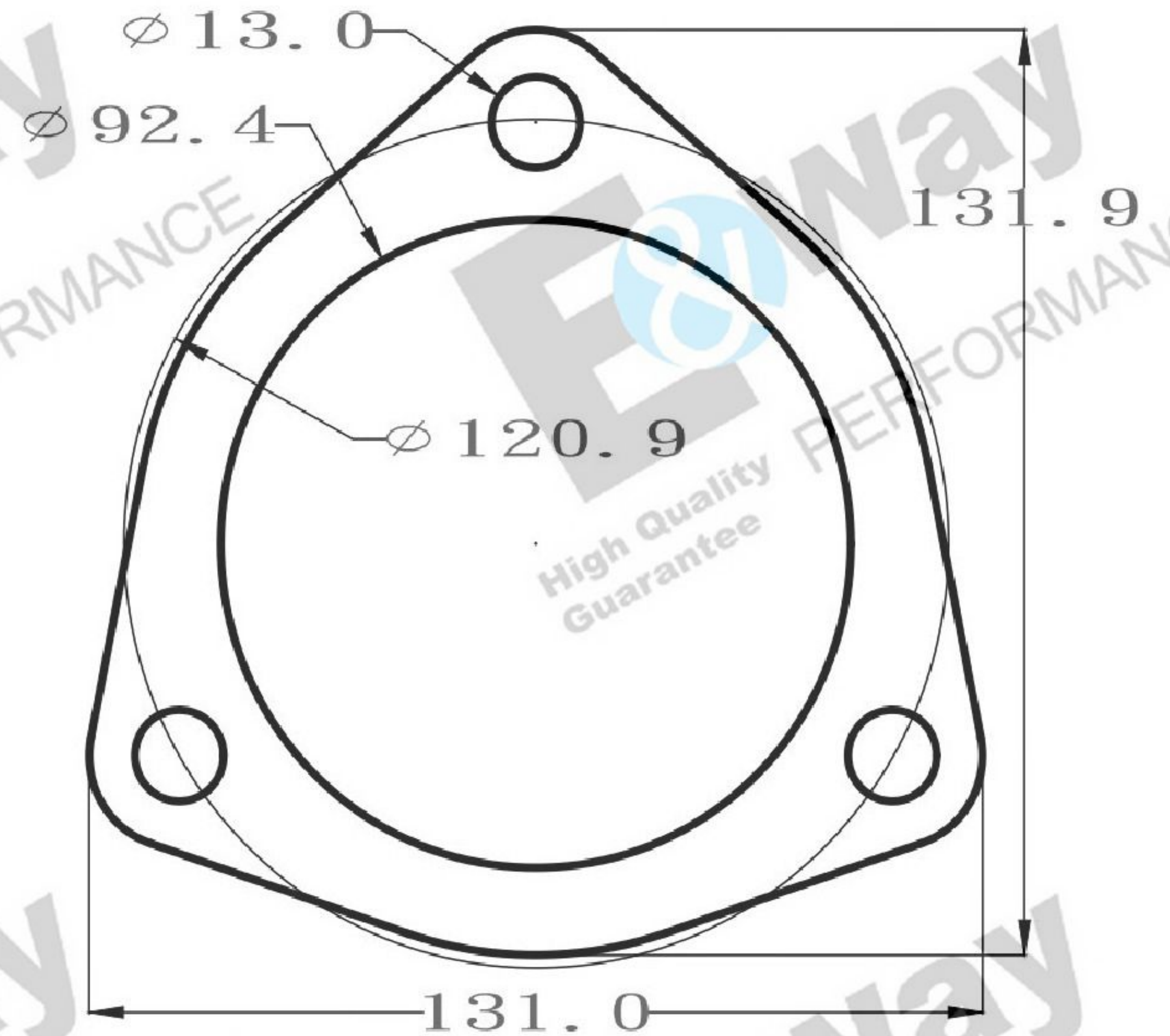
Thickness=1.6~2.0/mm(0.06"~0.08")

Material:Steel(Mixed Asbestos Free)+Stainless Steel(Hole)

EP3-018

3-Bolt Exhaust Flange/Muffler/Pipe Gasket P7

P7



Inside Diameter(ID)=92.4/mm(3.63")

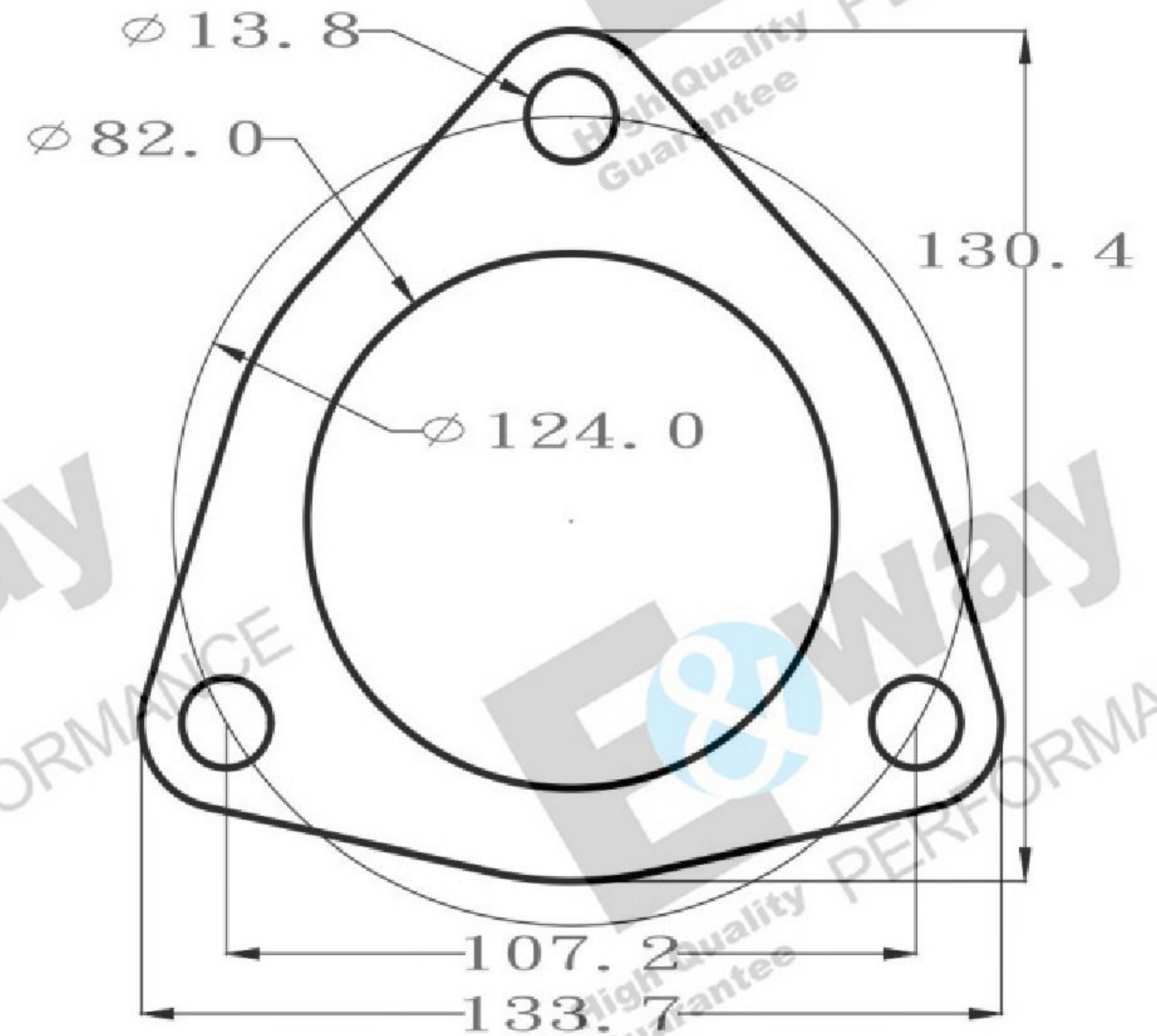
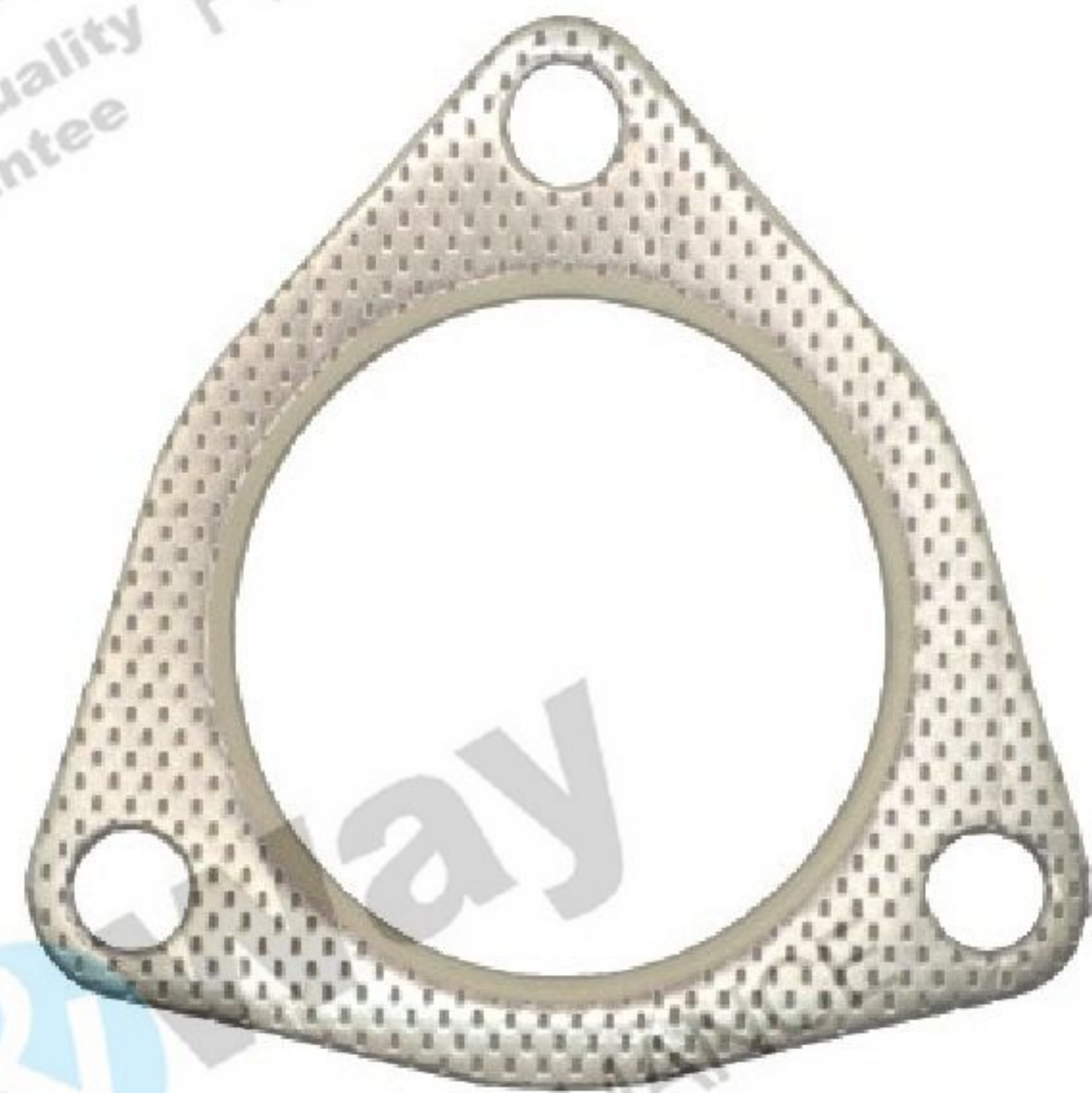
Bolt Circle=120.9/mm(4.76")

Bolt Hole=13/mm(0.51")

Thickness=1.6~2.0/mm(0.06"~0.08")

Material:Steel(Mixed Asbestos Free)+Stainless Steel(Hole)

EP3-019



Inside Diameter(ID)=82/mm(3.22")

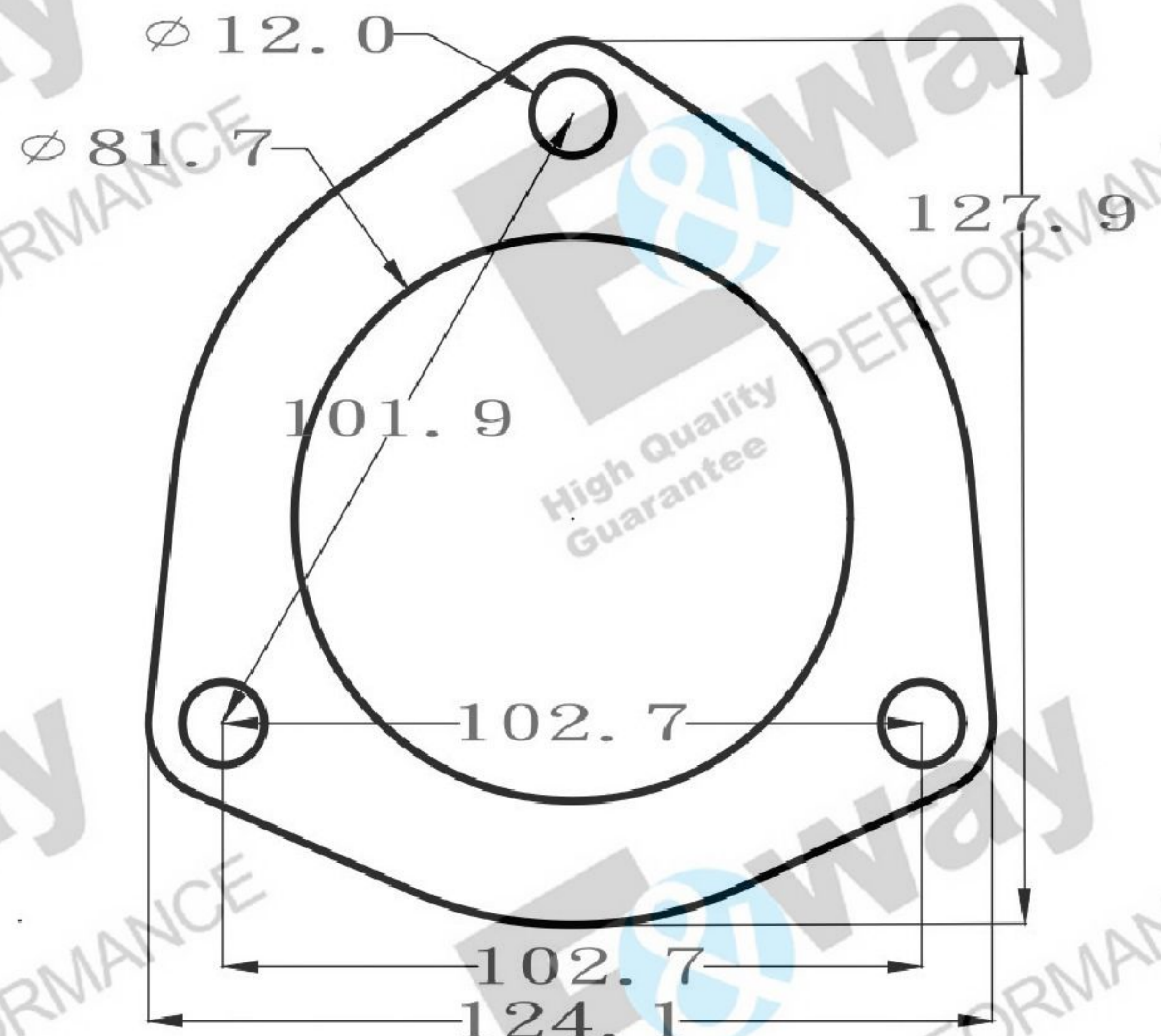
Bolt Circle=124/mm(4.88")

Bolt Hole=13.8/mm(0.54")

Thickness=1.6~2.0/mm(0.06"~0.08")

Material:Steel(Mixed Asbestos Free)+Stainless Steel(Hole)

EP3-020



Inside Diameter(ID)=81.7/mm(3.21")

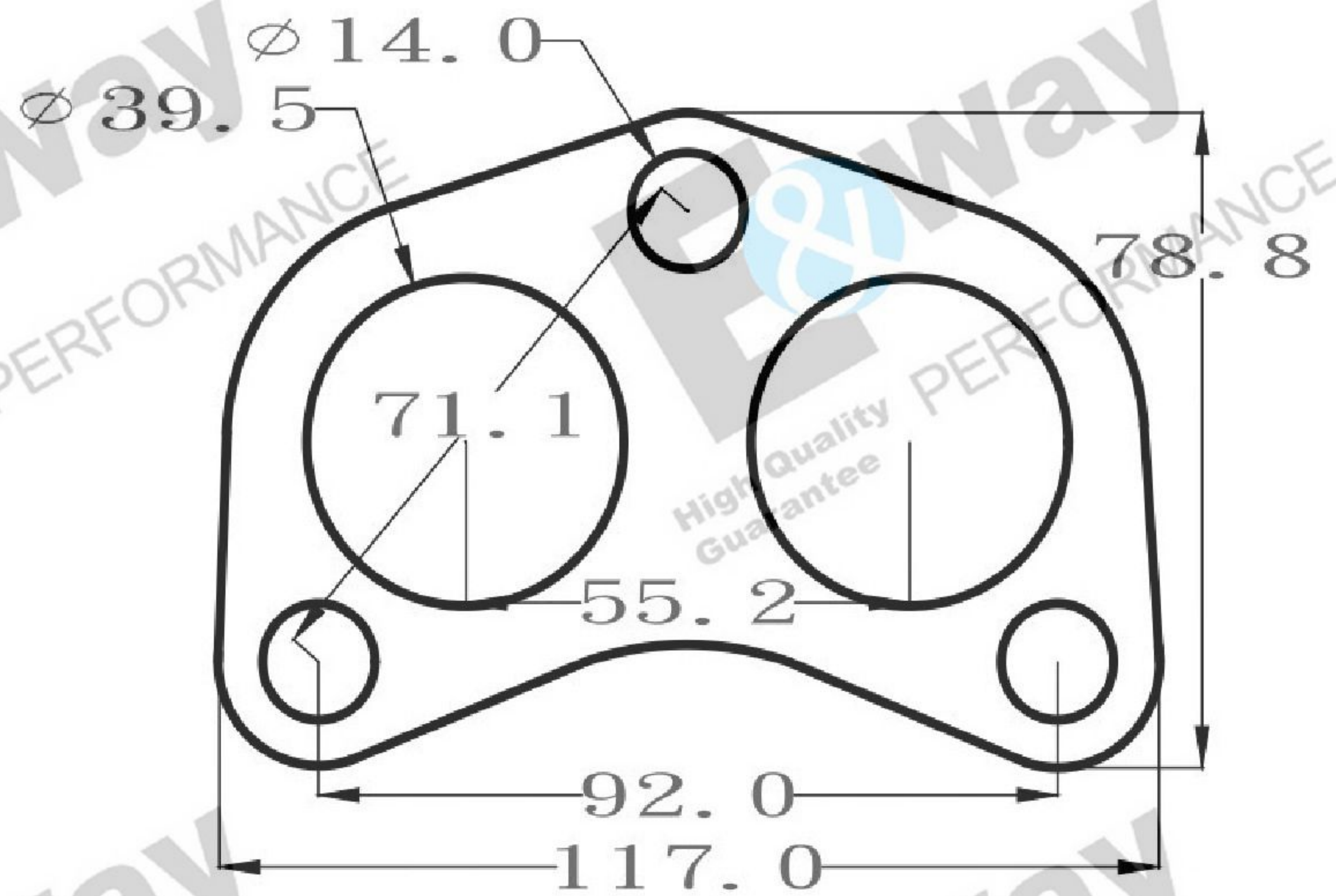
Bolt To Bolt=101.9/mm(4.01")102.7/mm(4.04")

Bolt Hole=12/mm(0.47")

Thickness=1.6~2.0/mm(0.06"~0.08")

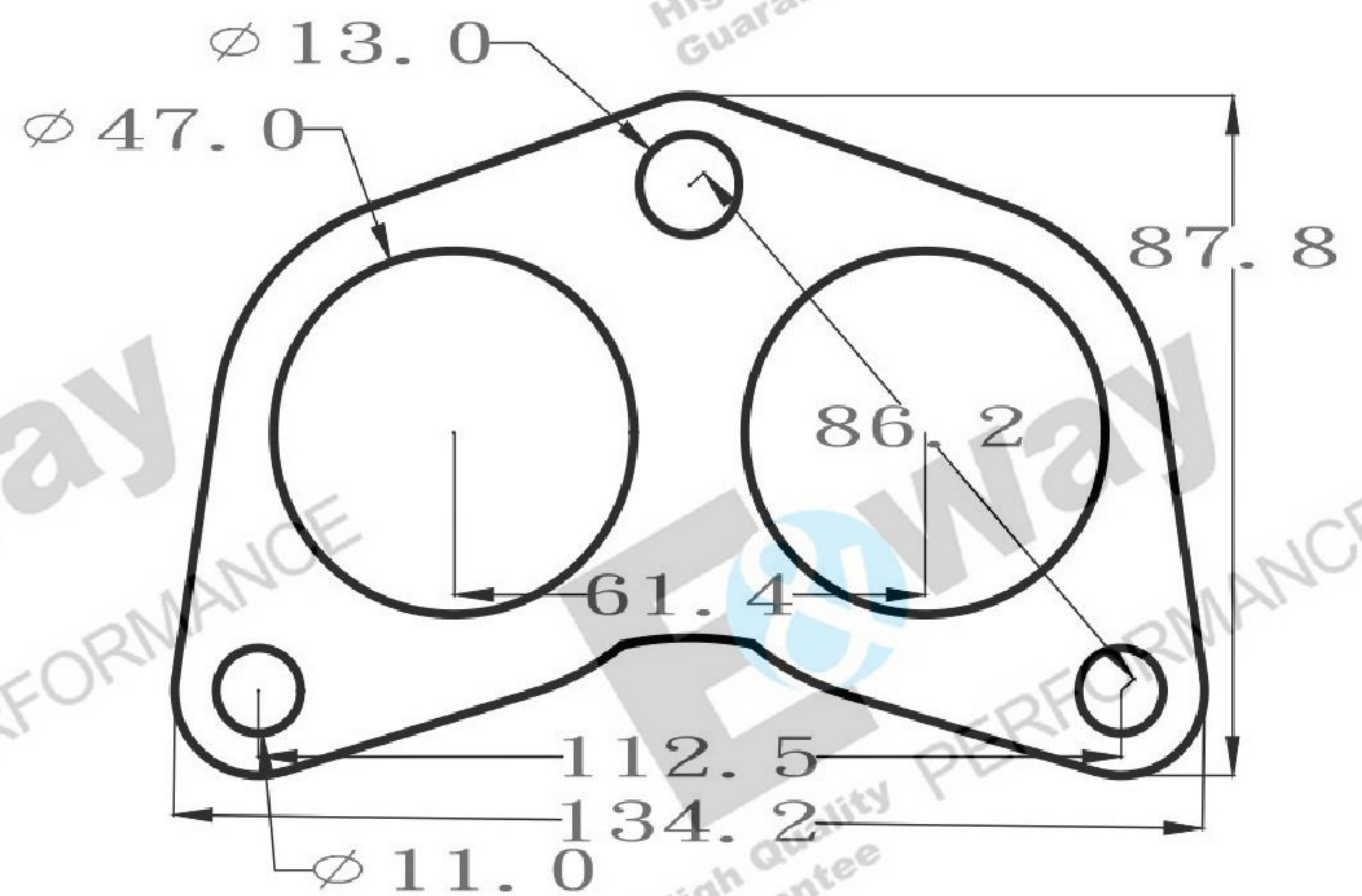
Material:Steel(Mixed Asbestos Free)+Stainless Steel(Hole)

EP3-021



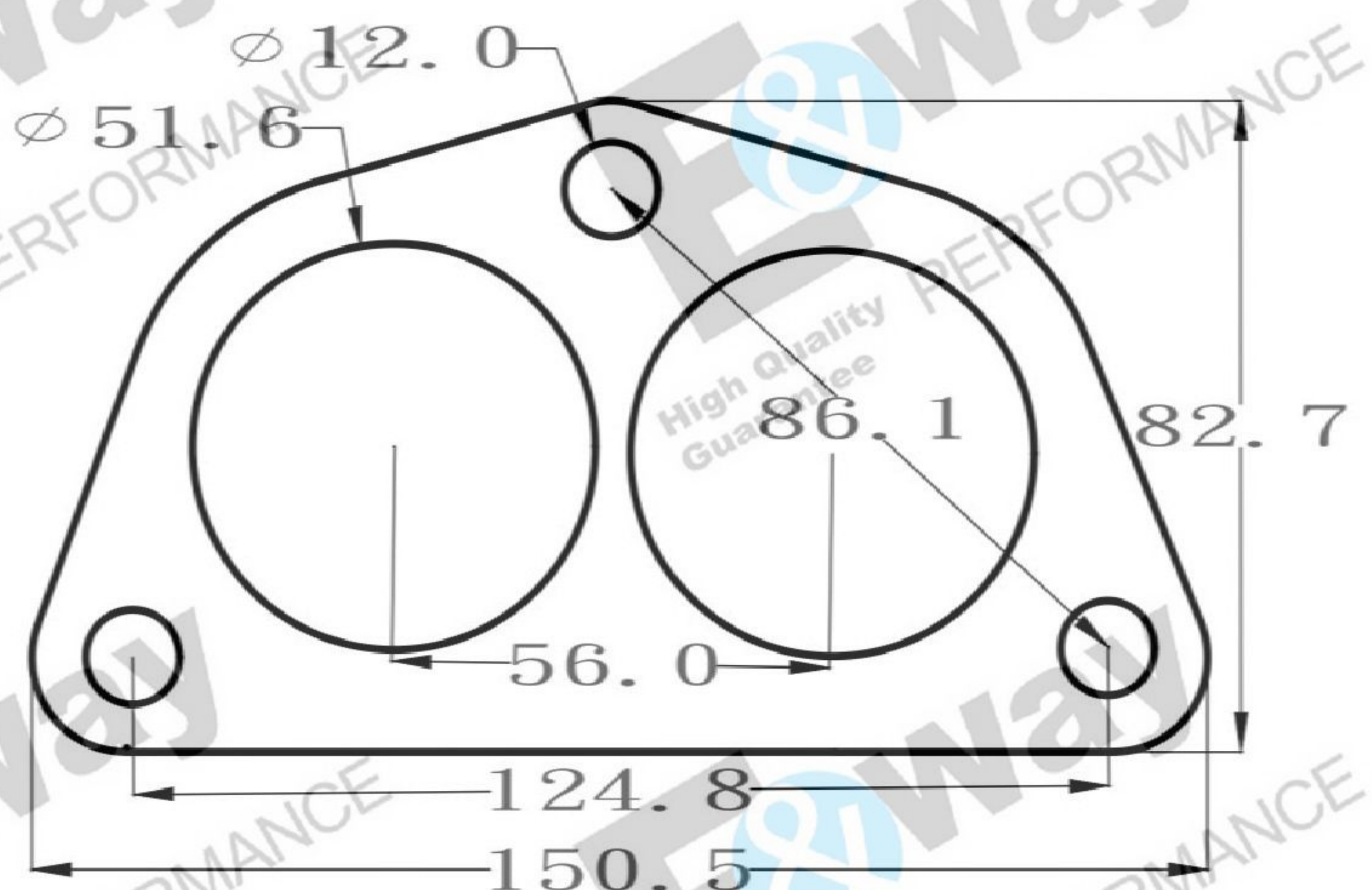
Inside Diameter(ID)=39.5/mm(1.55")
 Bolt Circle=92/mm(3.62")71.1/mm(2.79")
 Bolt Hole=14/mm(0.55")
 Thickness=1.6~2.0/mm(0.06"~0.08")
 Material:Steel(Mixed Asbestos Free)+Stainless Steel(2-Hole)

EP3-022



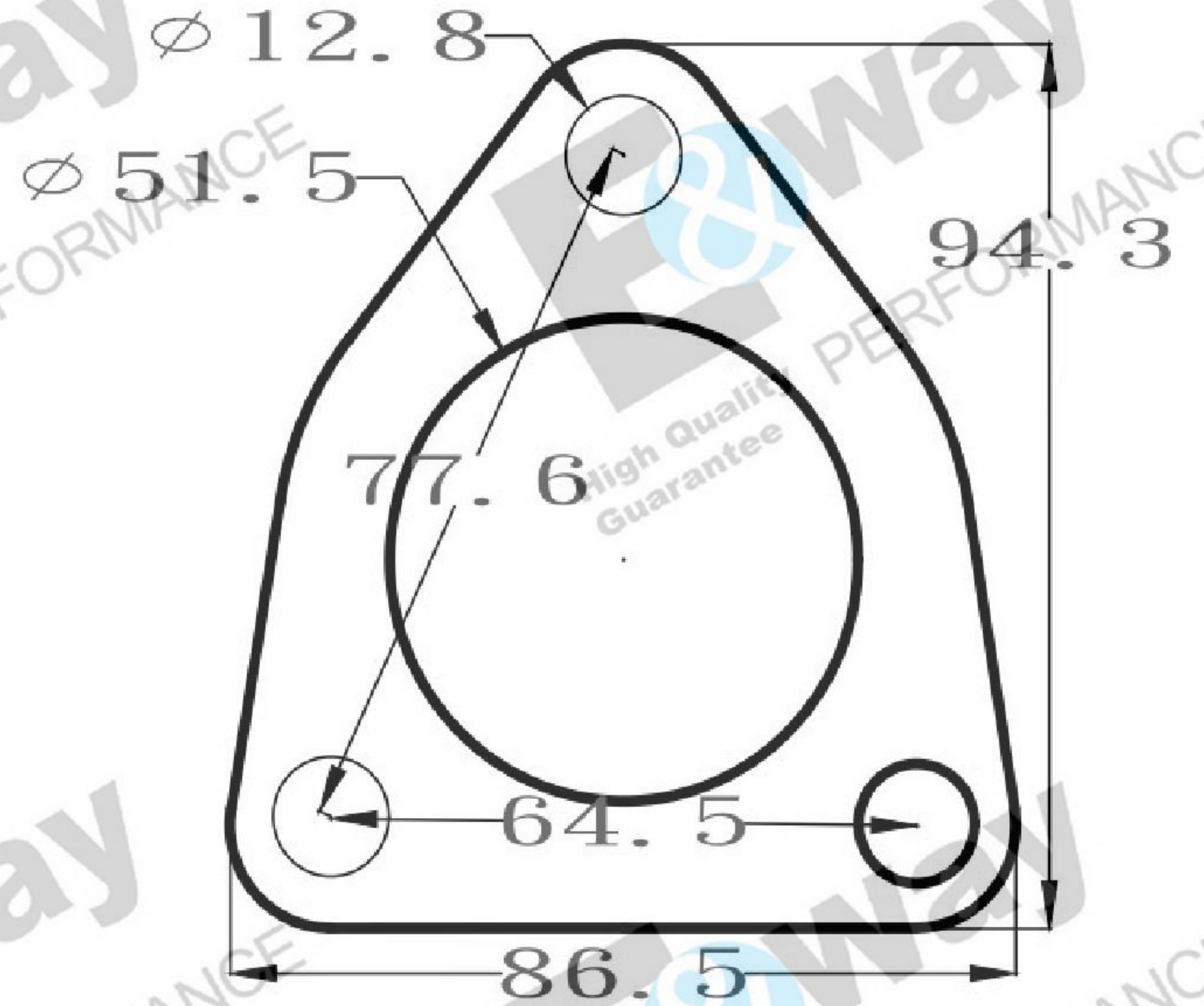
Inside Diameter(ID)=47/mm(1.85")
 Bolt Circle=112.5/mm(4.42")86.2/mm(3.39")
 Bolt Hole=13/mm(0.51")
 Thickness=1.6~2.0/mm(0.06"~0.08")
 Material:Graphite(Mixed Steel)+Stainless Steel(2-Hole)+Copper+Steel(MoS2 Coated)

EP3-023



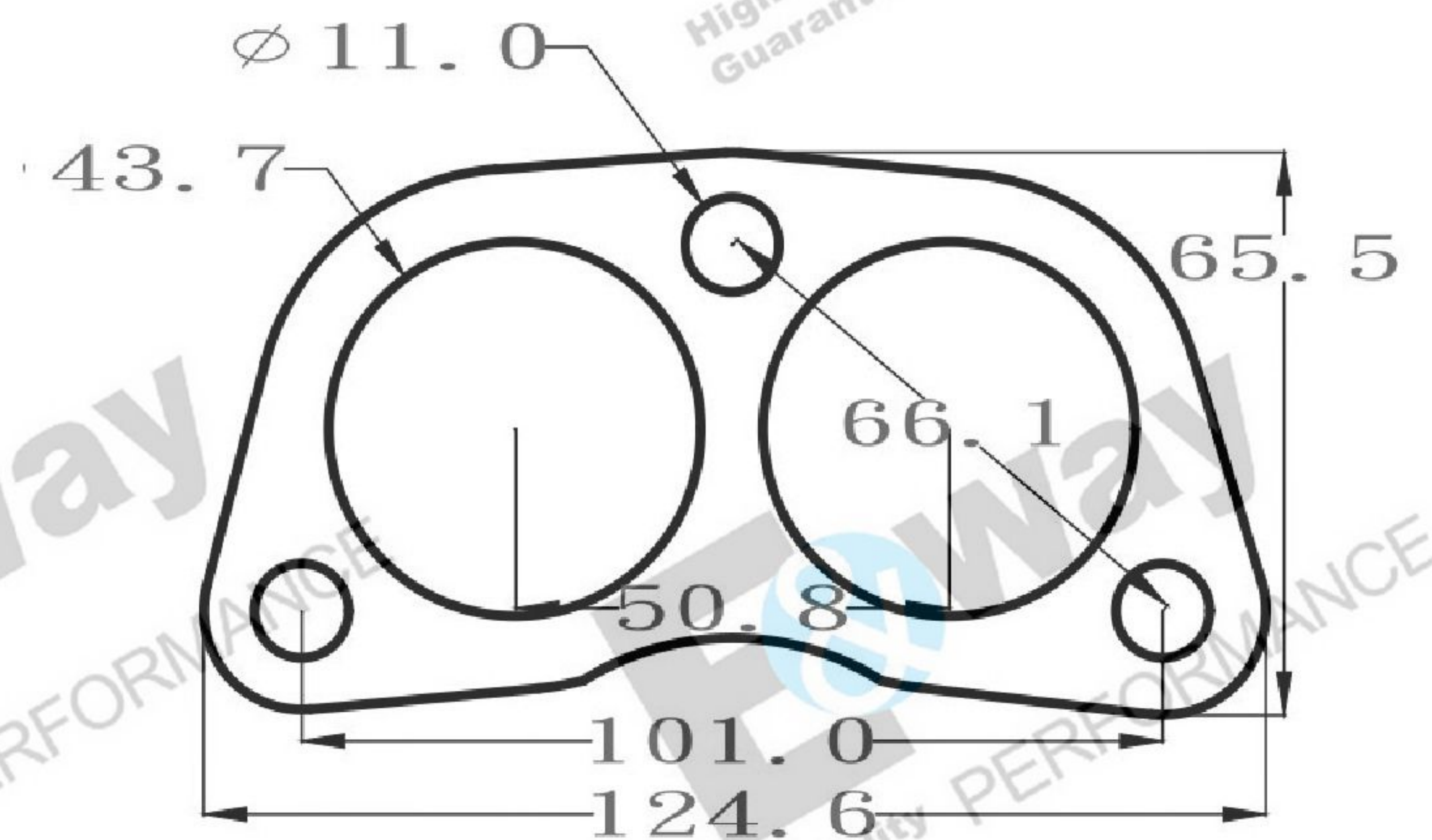
Inside Diameter(ID)=51.6/mm(2.03")
 Bolt Circle=86.1/mm(3.38")
 Bolt Hole=12/mm(0.47")
 Thickness=1.6~2.0/mm(0.06"~0.08")
 Material:Steel(Mixed Asbestos Free)+Stainless Steel(2-Hole)

EP3-024



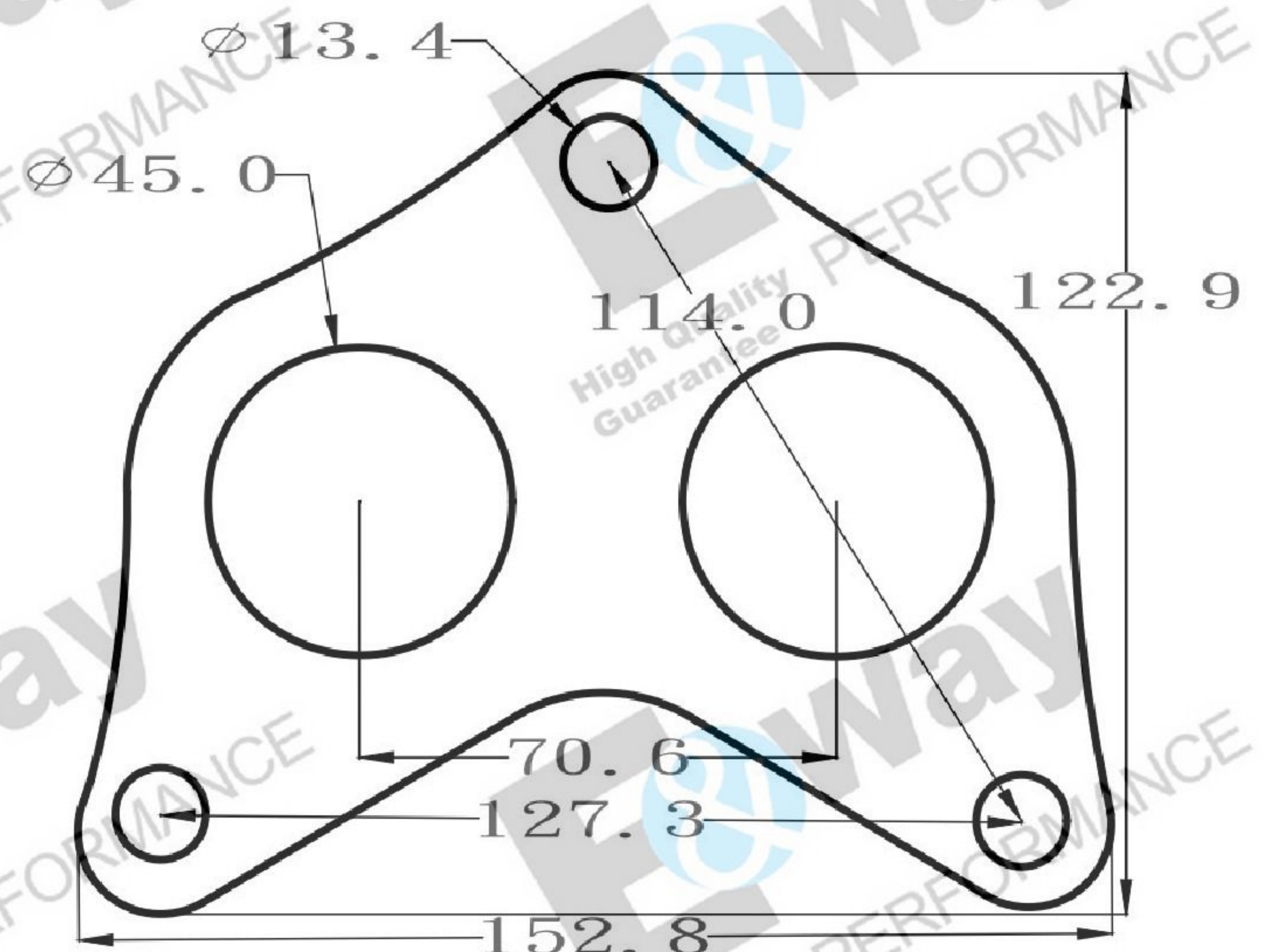
Inside Diameter(ID)=51.5/mm(2.07")
 Bolt To Bolt=77.6/mm(3.05")64.5/mm(2.54)
 Bolt Hole=12.8/mm(0.5")
 Thickness=1.6~2.0/mm(0.06"~0.08")
 Material:Steel(Mixed Asbestos Free)

EP3-025



Inside Diameter(ID)=43.7/mm(1.72")
 Bolt To Bolt=66.1/mm(2.60")101/mm(3.97")
 Bolt Hole=11/mm(0.43")
 Thickness=1.6~2.0/mm(0.06"~0.08")
 Material:Steel(Mixed Asbestos Free)+Stainless Steel(2-Hole)

EP3-026

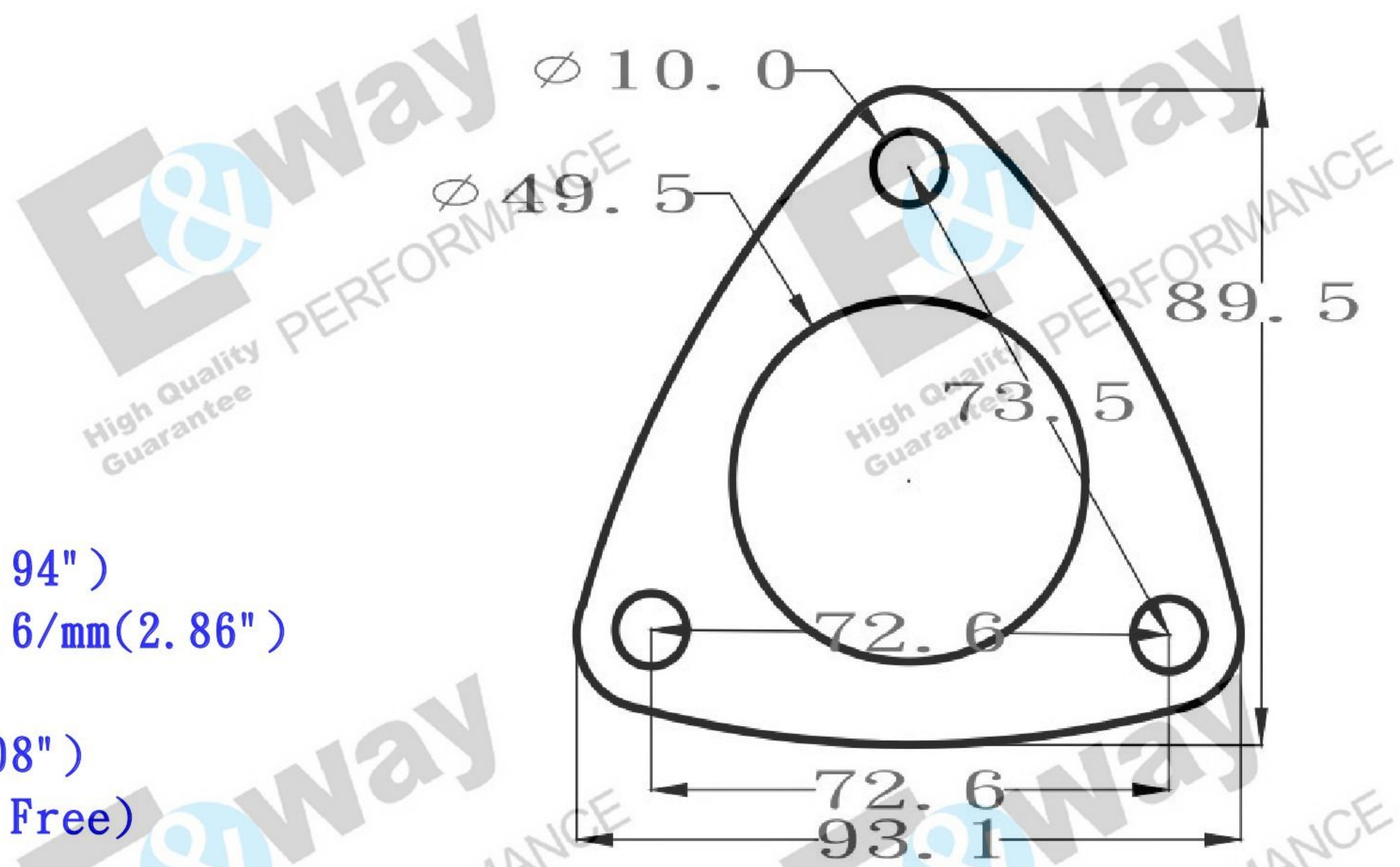


Inside Diameter(ID)=45/mm(1.77")
 Bolt To Bolt=114/mm(4.48")127.3/mm(5.01")
 Bolt Hole=13.4/mm(0.52")
 Thickness=1.6~2.0/mm(0.06"~0.08")
 Material:Steel(Mixed Asbestos Free)

EP3-027

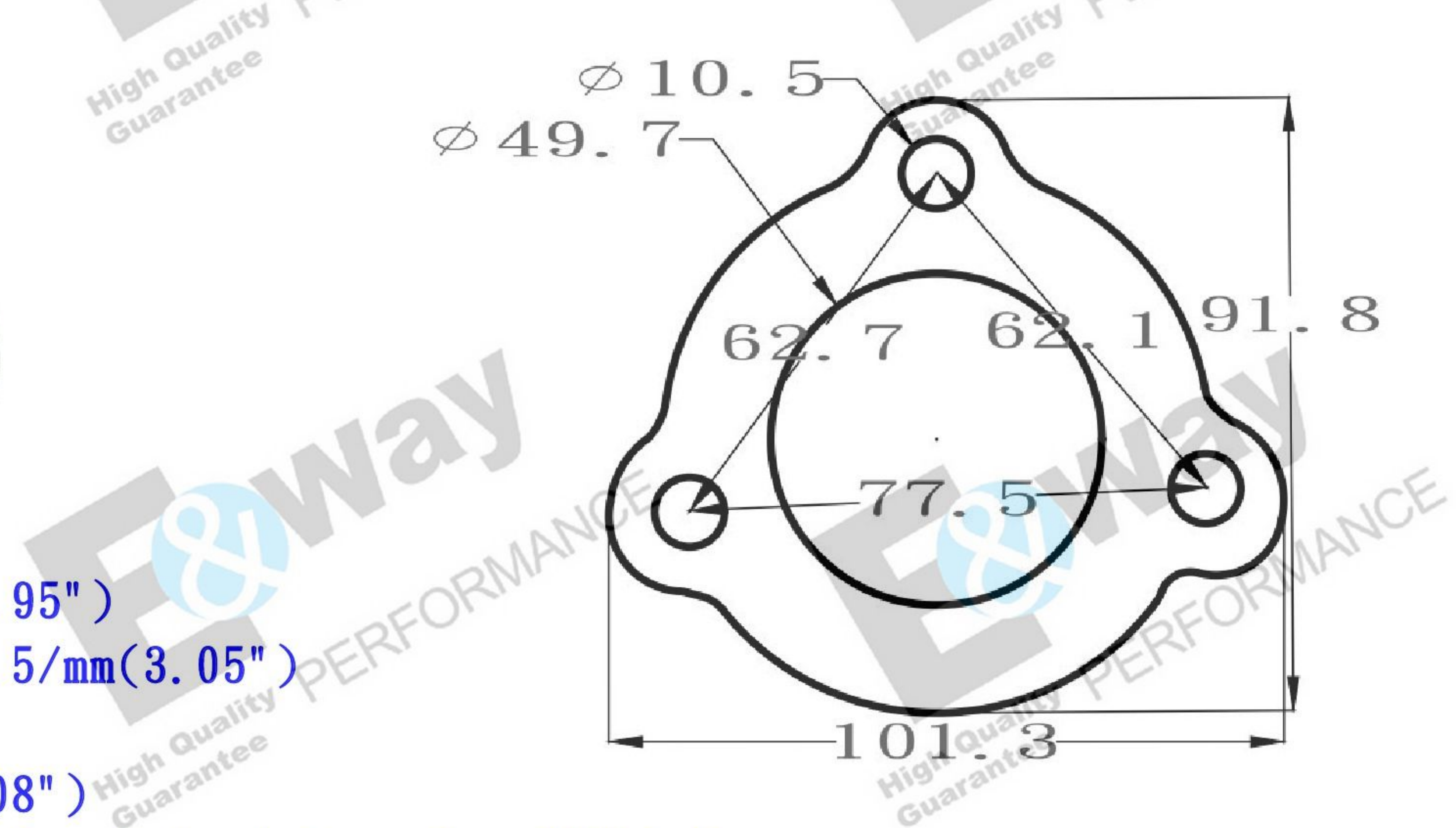
3-Bolt Exhaust Flange/Muffler/Pipe Gasket P10

P10



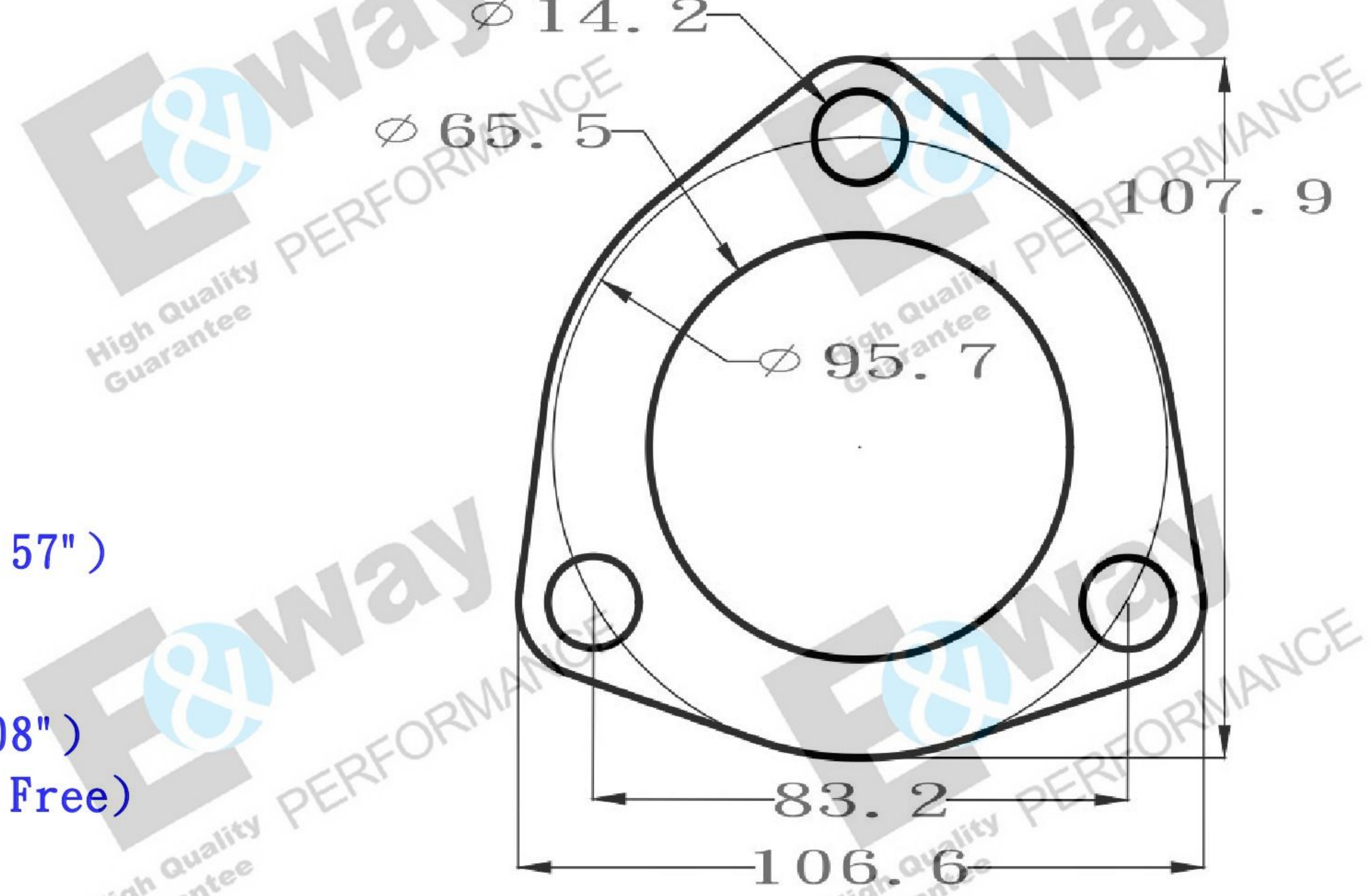
Inside Diameter(ID)=49.5/mm(1.94")
 Bolt To Bolt=73.5/mm(2.89")72.6/mm(2.86")
 Bolt Hole=10/mm(0.39")
 Thickness=1.6~2.0/mm(0.06"~0.08")
 Material:Steel(Mixed Asbestos Free)

EP3-028



Inside Diameter(ID)=49.7/mm(1.95")
 Bolt To Bolt=62.7/mm(2.47")77.5/mm(3.05")
 Bolt Hole=10.5/mm(0.41")
 Thickness=1.6~2.0/mm(0.06"~0.08")
 Material:Steel(Mixed Asbestos Free)+Stainless Steel(Hole)

EP3-029

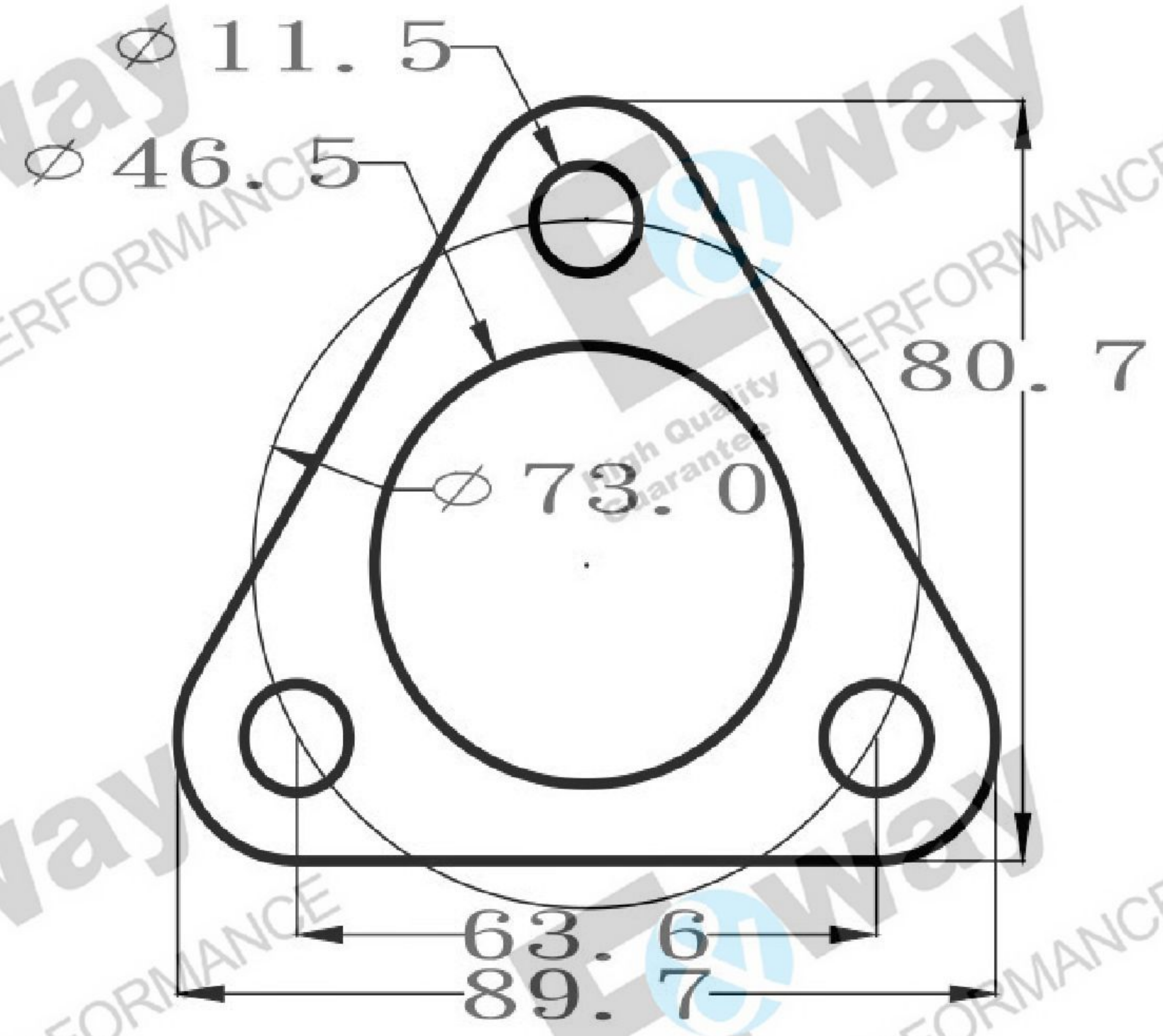


Inside Diameter(ID)=65.5/mm(2.57")
 Bolt Circle=95.7/mm(3.77")
 Bolt Hole=14.2/mm(0.55")
 Thickness=1.6~2.0/mm(0.06"~0.08")
 Material:Steel(Mixed Asbestos Free)

EP3-030

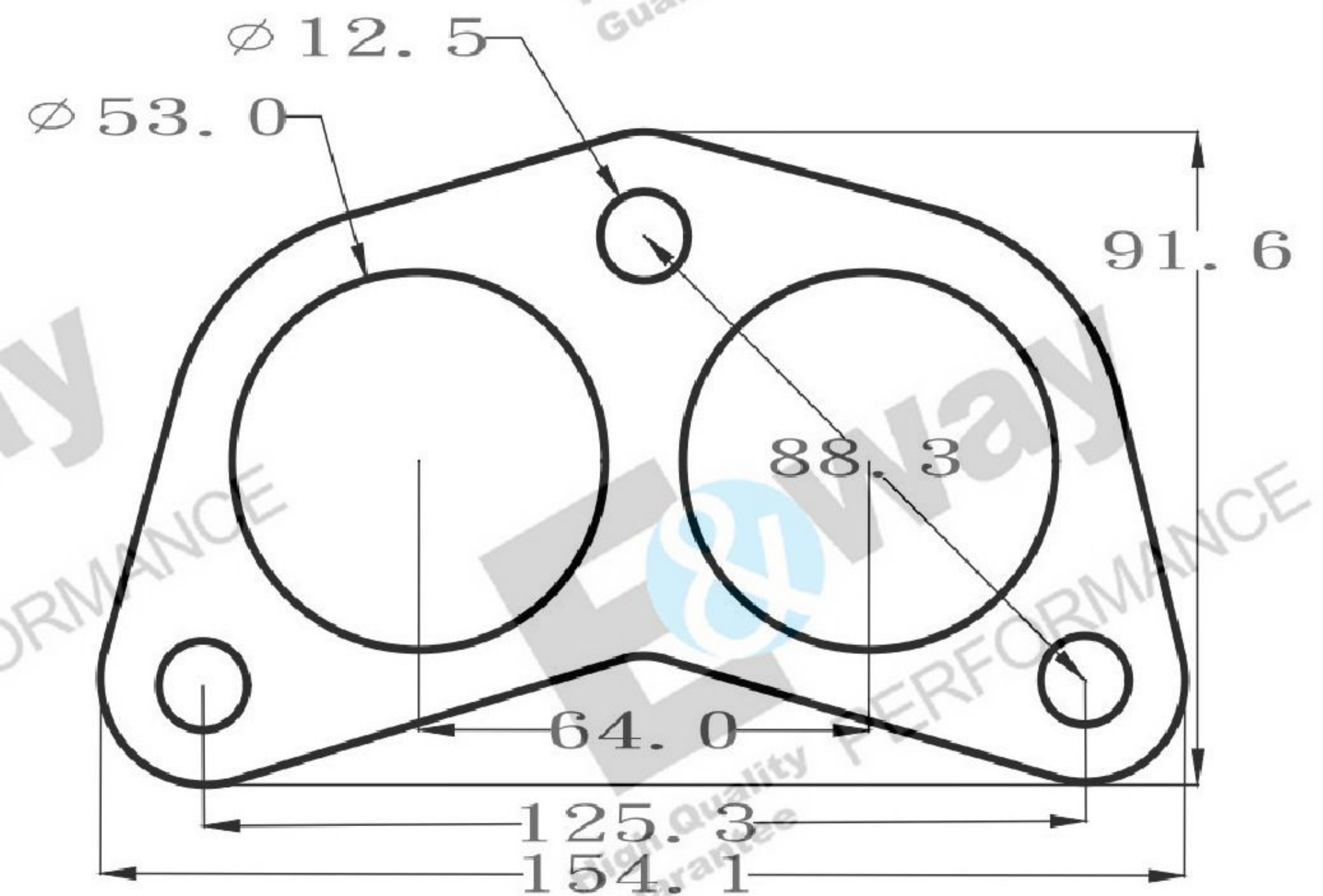
3-Bolt Exhaust Flange/Muffler/Pipe Gasket P11

P11



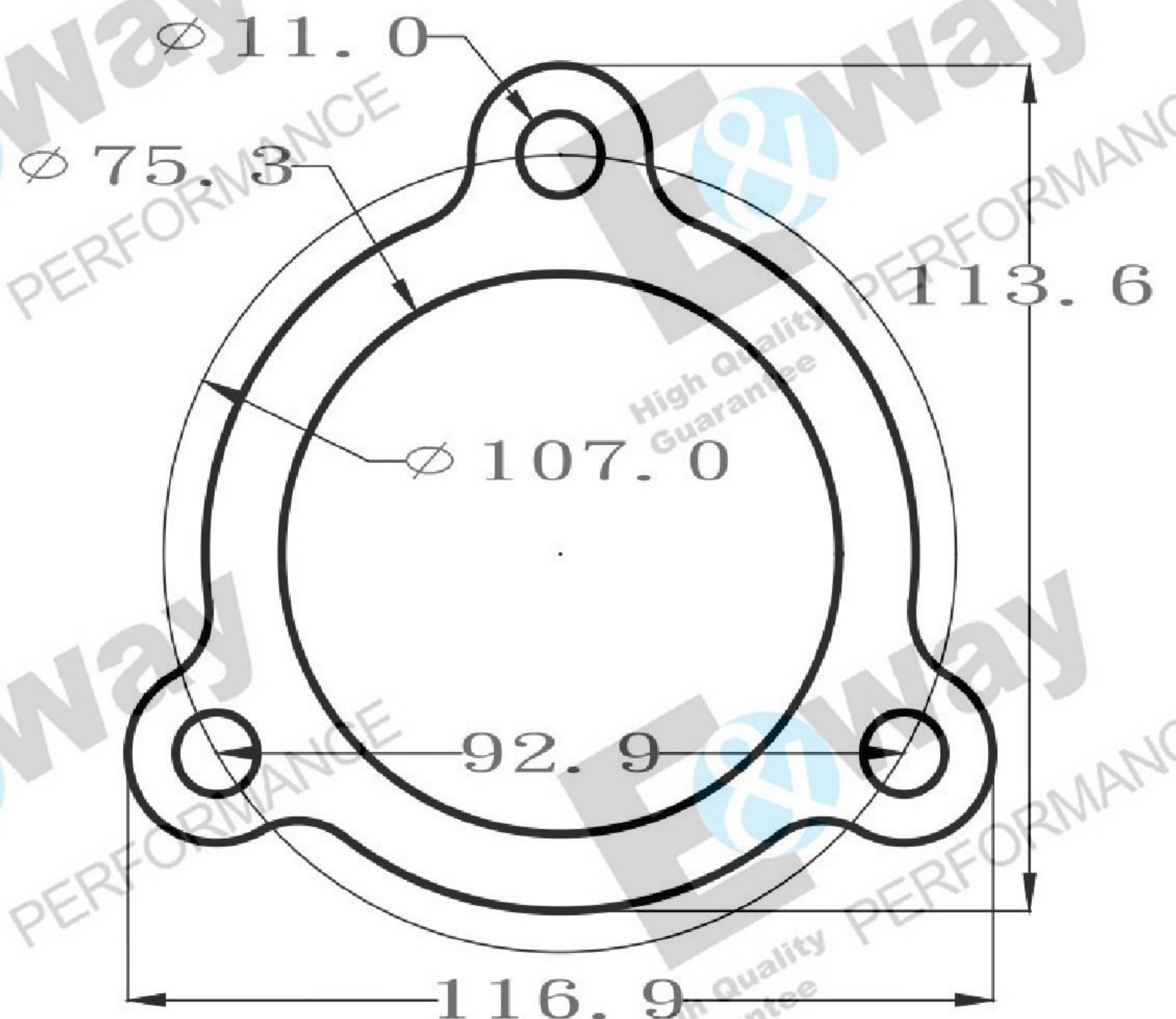
Inside Diameter(ID)=46.5/mm(1.83")
 Bolt Circle=73/mm(2.87")
 Bolt Hole=11.5/mm(0.45")
 Thickness=1.6~2.0/mm(0.06"~0.08")
 Material:Steel(Mixed Asbestos Free)

EP3-031



Inside Diameter(ID)=53/mm(2.08")
 Bolt To Bolt=88.3/mm(3.47")125.3/mm(4.93")
 Bolt Hole=12.5/mm(0.49")
 Thickness=1.6~2.0/mm(0.06"~0.08")
 Material:Steel(Mixed Asbestos Free)

EP3-032

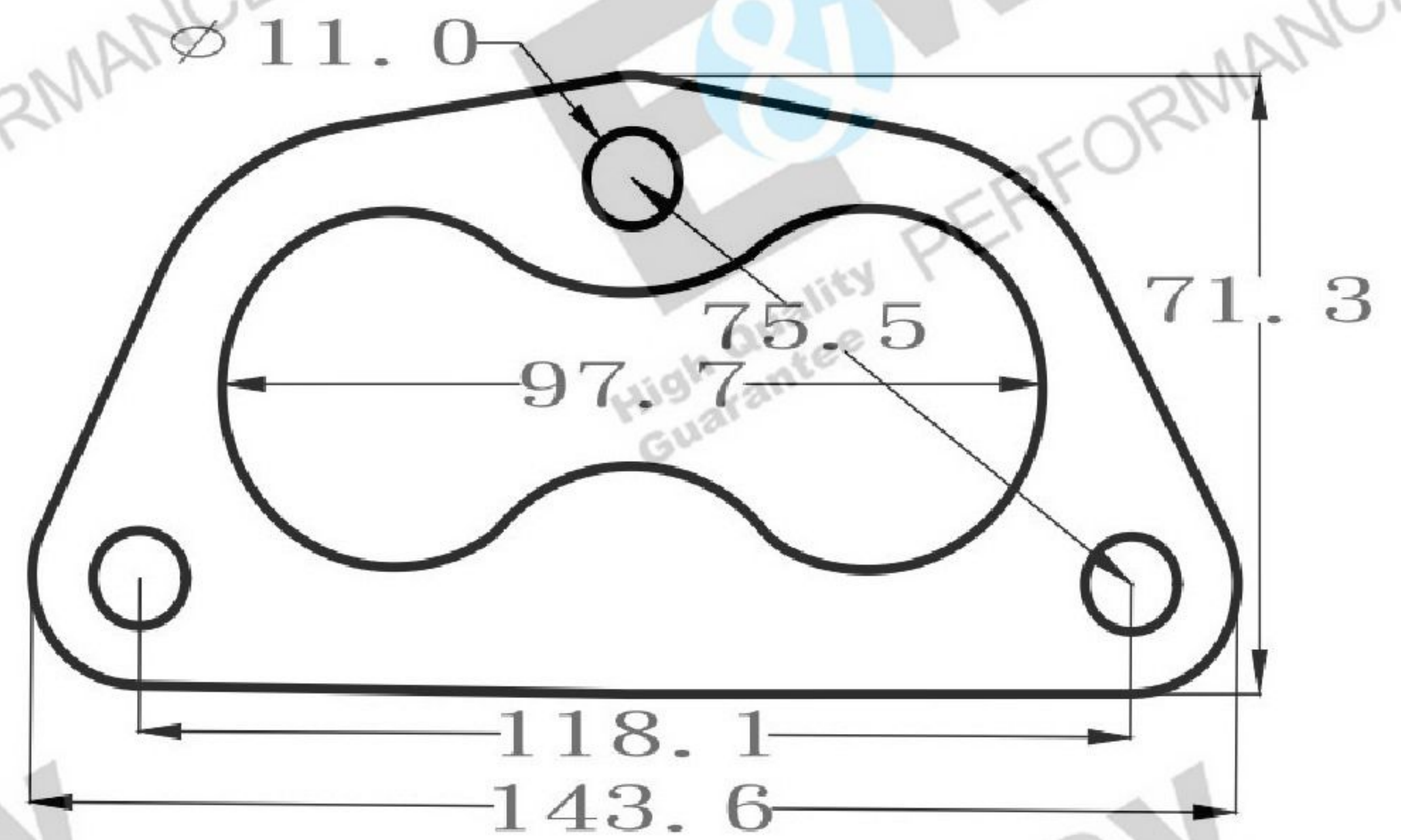


Inside Diameter(ID)=75.3/mm(2.96")
 Bolt Circle=107/mm(4.21")
 Bolt Hole=11/mm(0.43")
 Thickness=0.6/mm(0.02")
 Material:Stainless Steel(2-Layer)

EP3-033

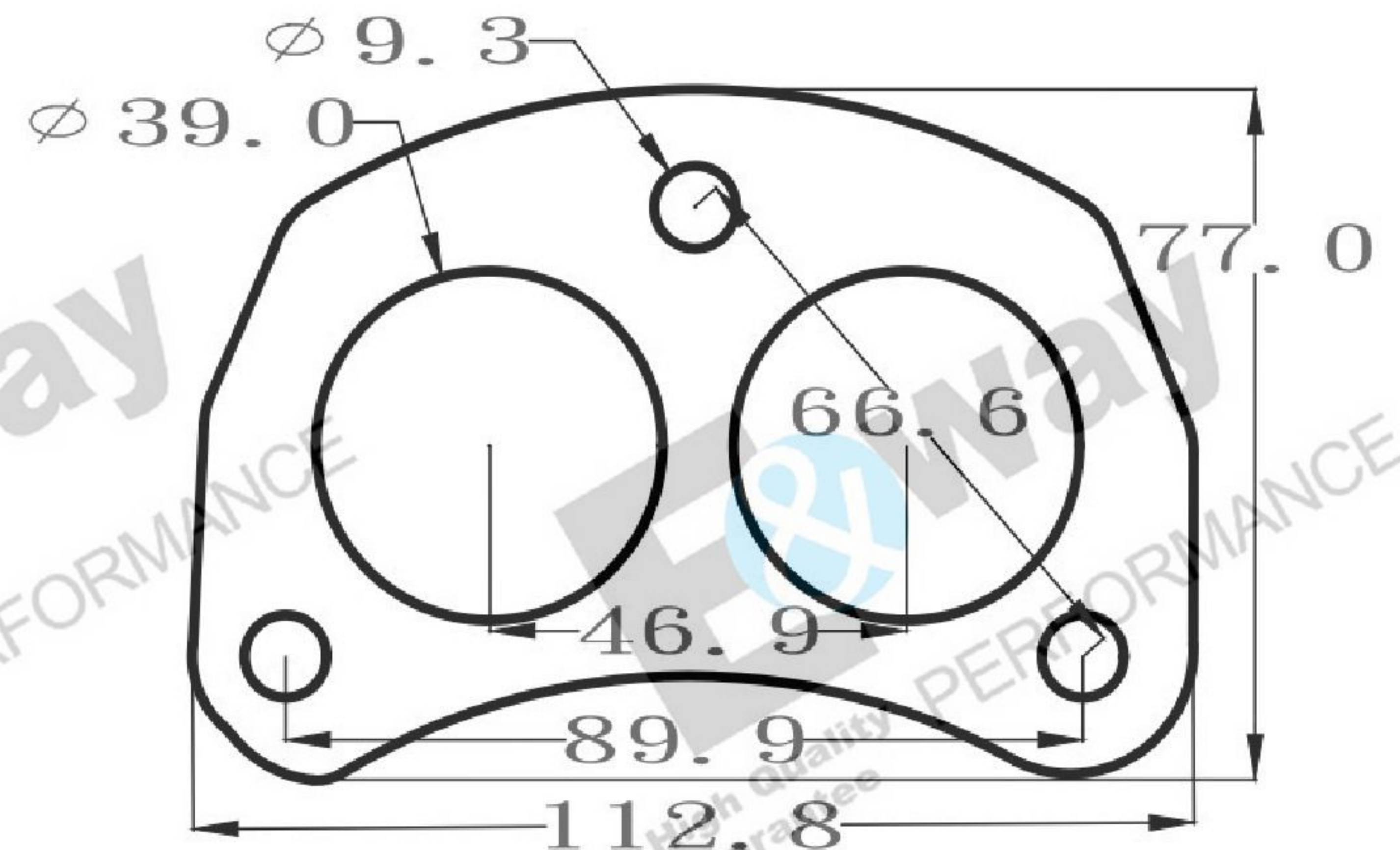
3-Bolt Exhaust Flange/Muffler/Pipe Gasket P12

P12



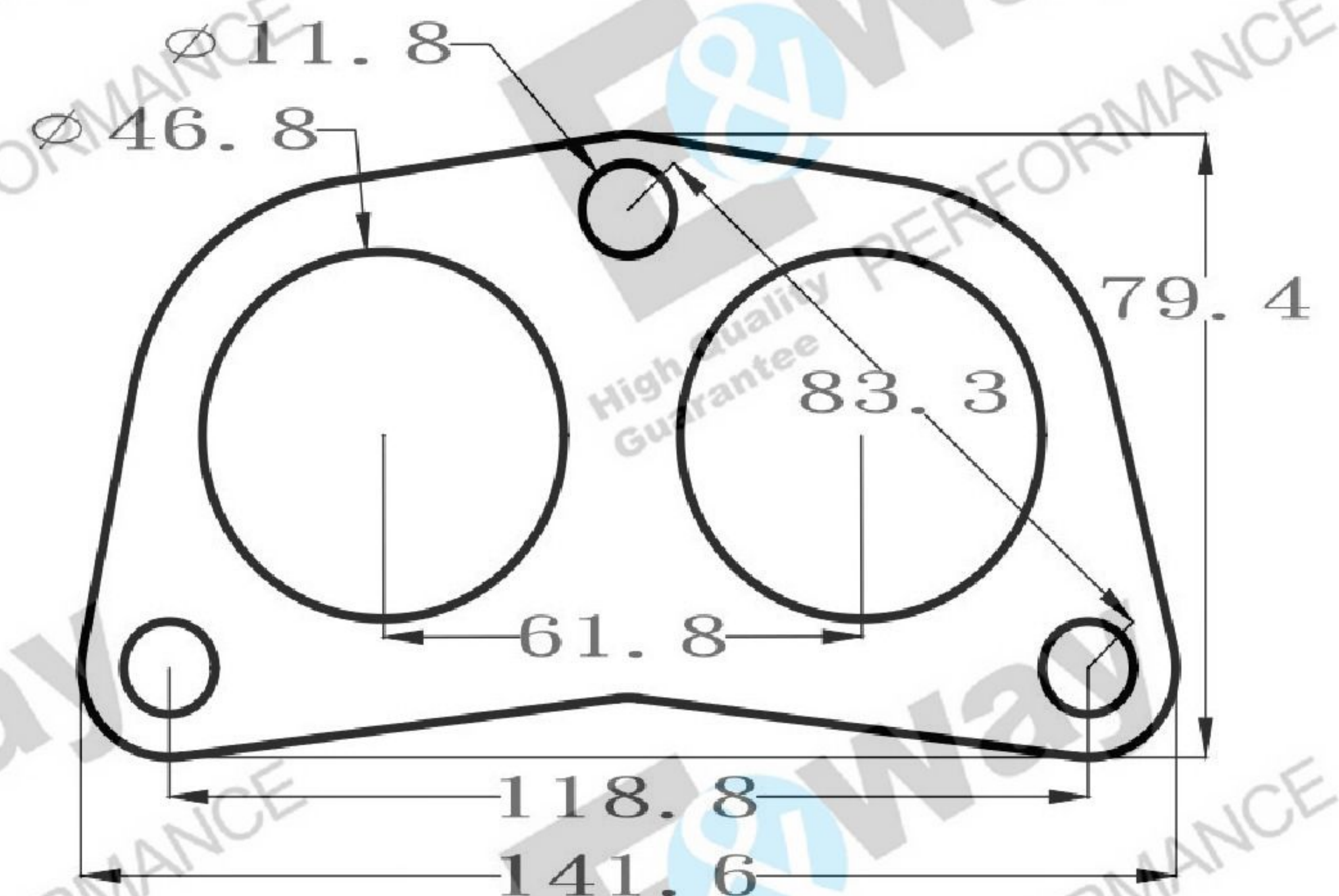
Inside Diameter(ID)=97.7/mm(3.84")
 Bolt To Bolt=75.5/mm(2.97")118.1/mm(4.65")
 Bolt Hole=11/mm(0.43")
 Thickness=1.6~2.0/mm(0.06"~0.08")
 Material:Steel(Mixed Asbestos Free)

EP3-034



Inside Diameter(ID)=39/mm(1.53")
 Bolt To Bolt=66.6/mm(2.62")89.9/mm(3.54")
 Bolt Hole=9.3/mm(0.36")
 Thickness=1.6~2.0/mm(0.06"~0.08")
 Material:Graphite(Mixed Steel)+Stainless Steel(2-Hole)

EP3-035

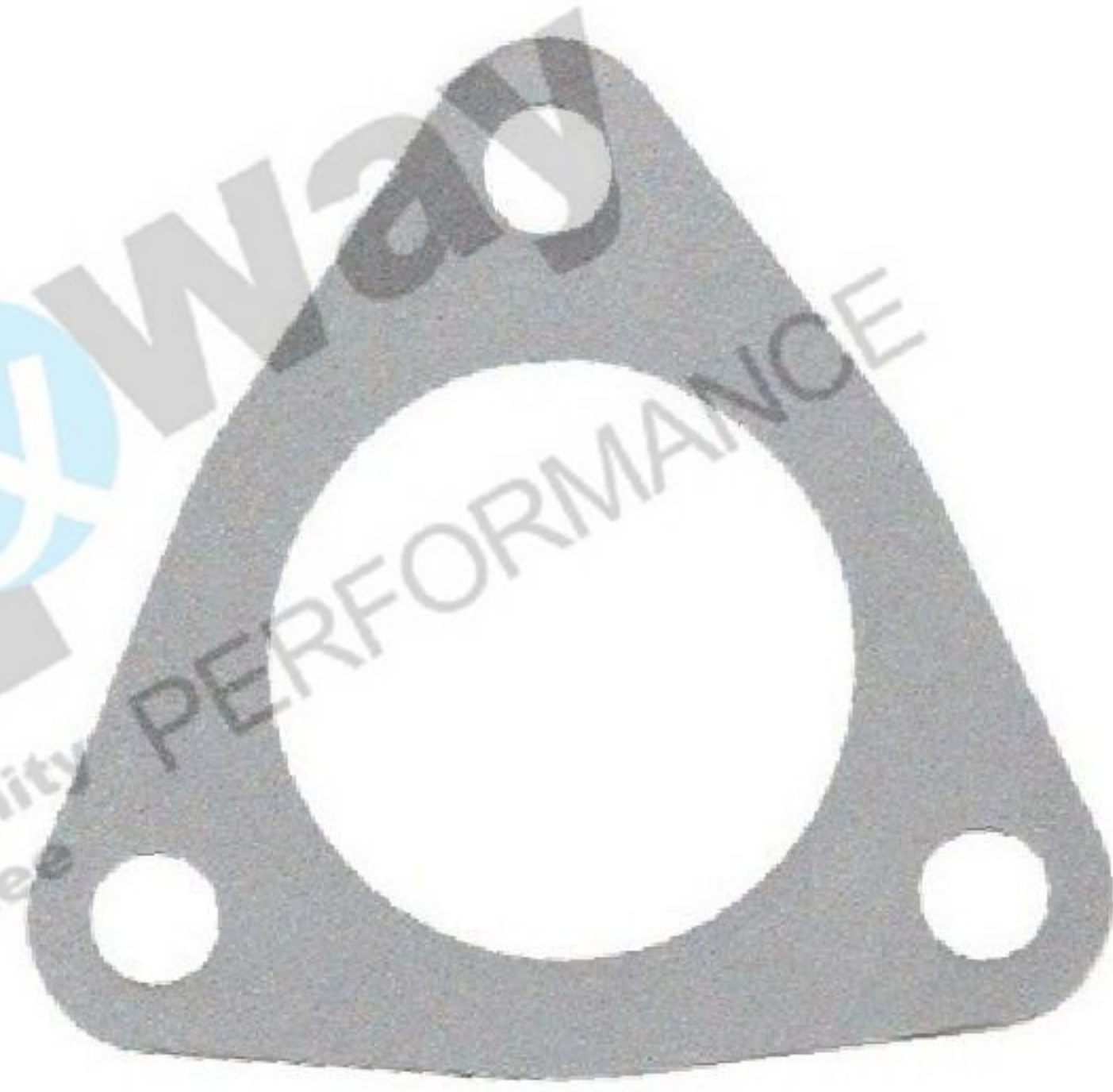


Inside Diameter(ID)=46.8/mm(1.84")
 Bolt To Bolt=83.3/mm(3.27")118.8/mm(4.68")
 Bolt Hole=11.8/mm(0.46")
 Thickness=1.6~2.0/mm(0.06"~0.08")
 Material:Steel(Mixed Asbestos Free)+Stainless Steel(2-Hole)

EP3-036

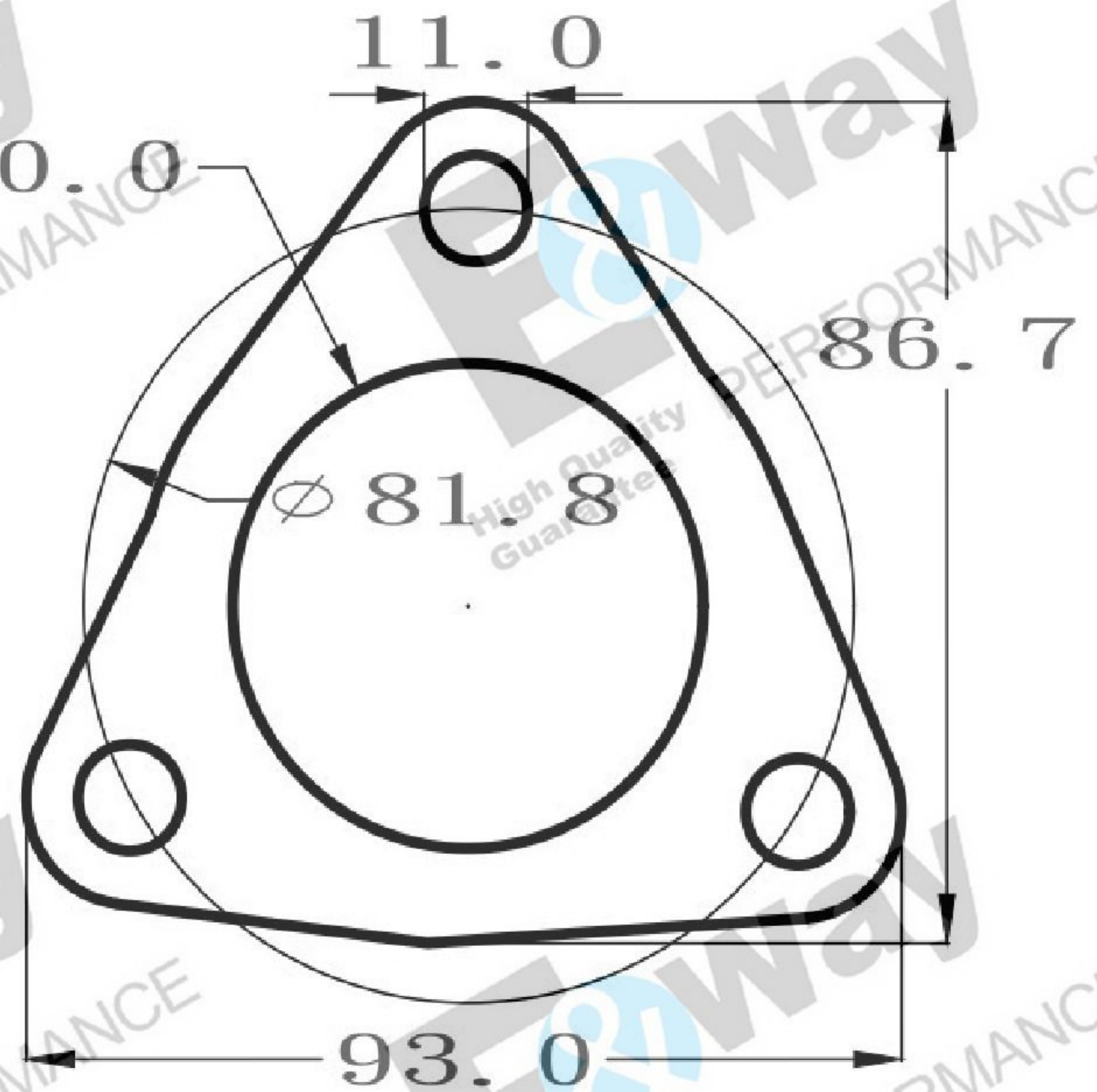
3-Bolt Exhaust Flange/Muffler/Pipe Gasket P13

P13



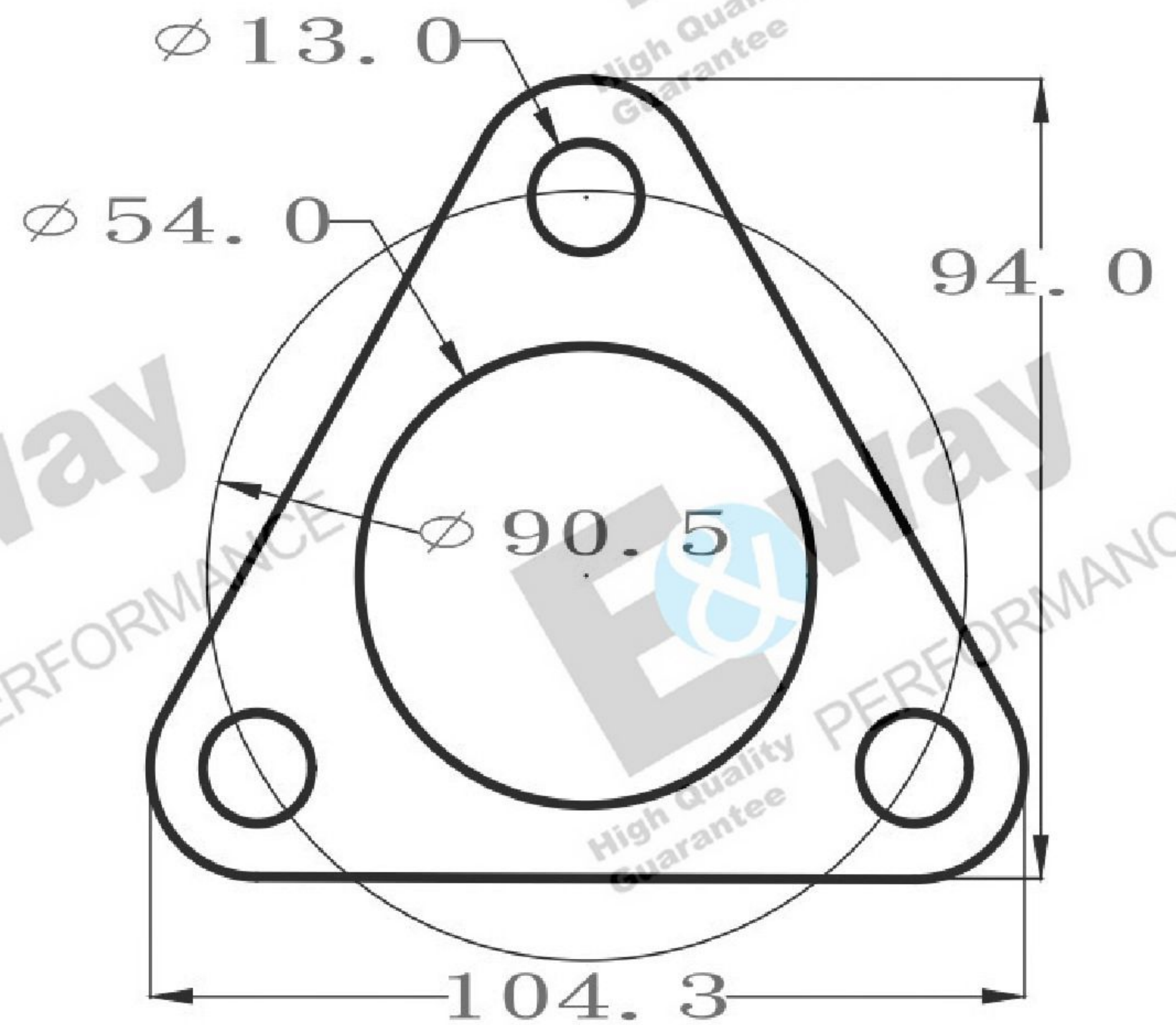
Inside Diameter(ID)=50/mm(1.96")
 Bolt Circle=81.8/mm(3.22")
 Bolt Hole=11/mm(0.43")
 Thickness=0.65/mm(0.03")
 Material:Steel(Single-Layer)

EP3-037



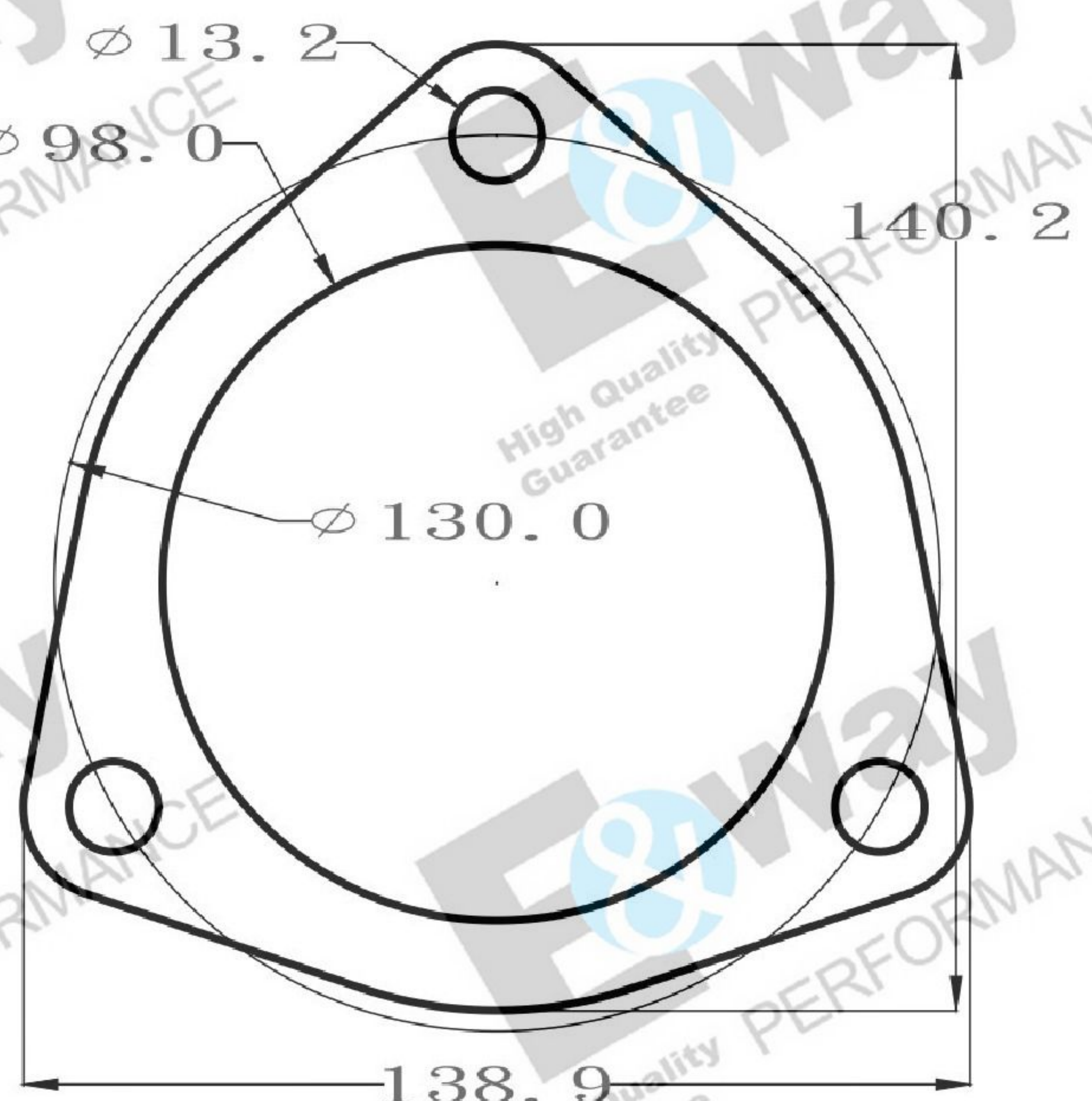
Inside Diameter(ID)=54/mm(2.12")
 Bolt Circle=90.5/mm(3.56")
 Bolt Hole=13/mm(0.51")
 Thickness=1.6~2.0/mm(0.06"~0.08")
 Material:Steel(Mixed Asbestos Free)

EP3-038



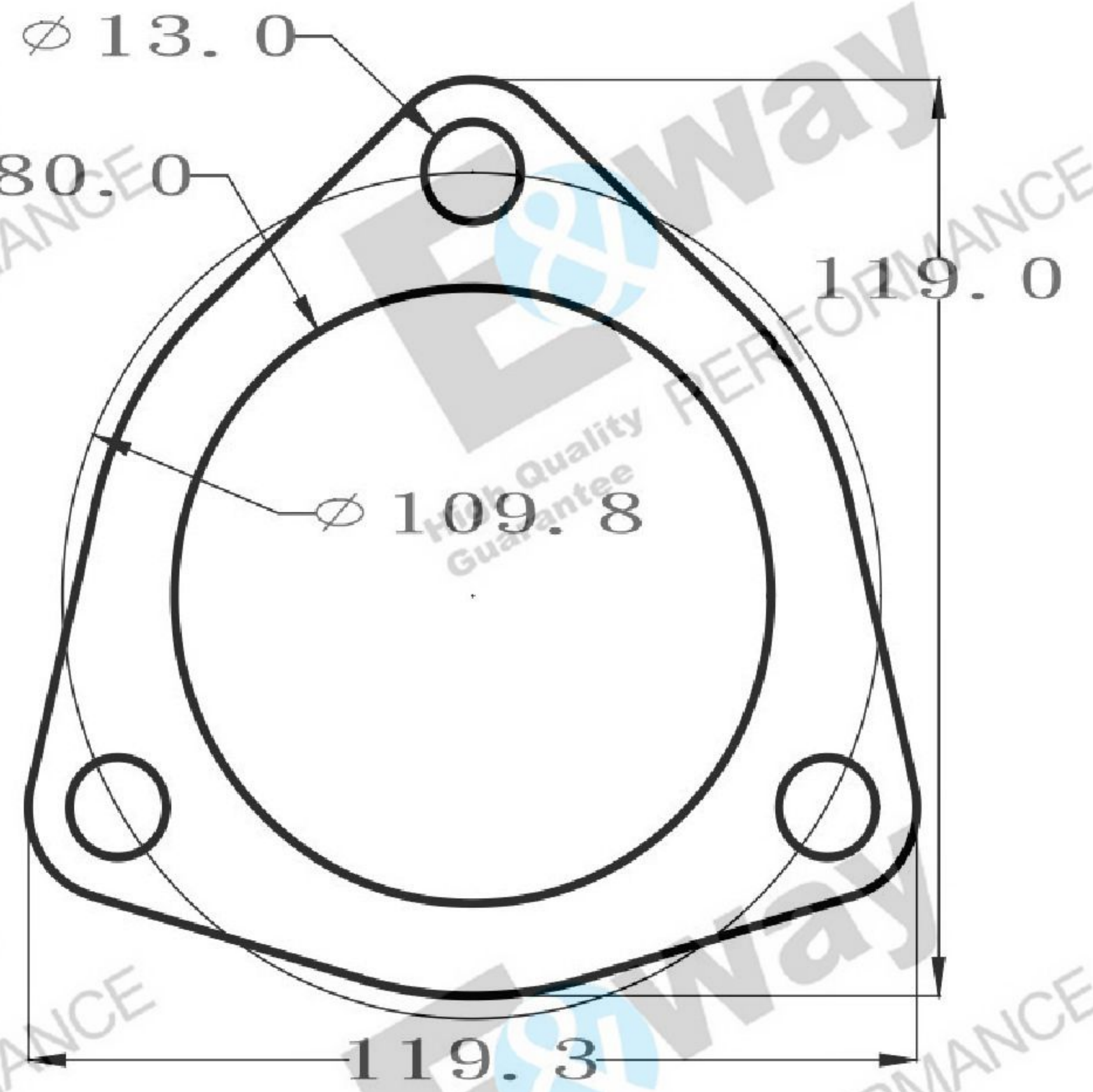
Inside Diameter(ID)=98/mm(3.85")
 Bolt Circle=130/mm(5.12")
 Bolt Hole=13.2/mm(0.51")
 Thickness=1.3/mm(0.05")
 Material:Stainless Steel(4-Layer)

EP3-039



3-Bolt Exhaust Flange/Muffler/Pipe Gasket P14

P14



Inside Diameter(ID)=80/mm(3.14")

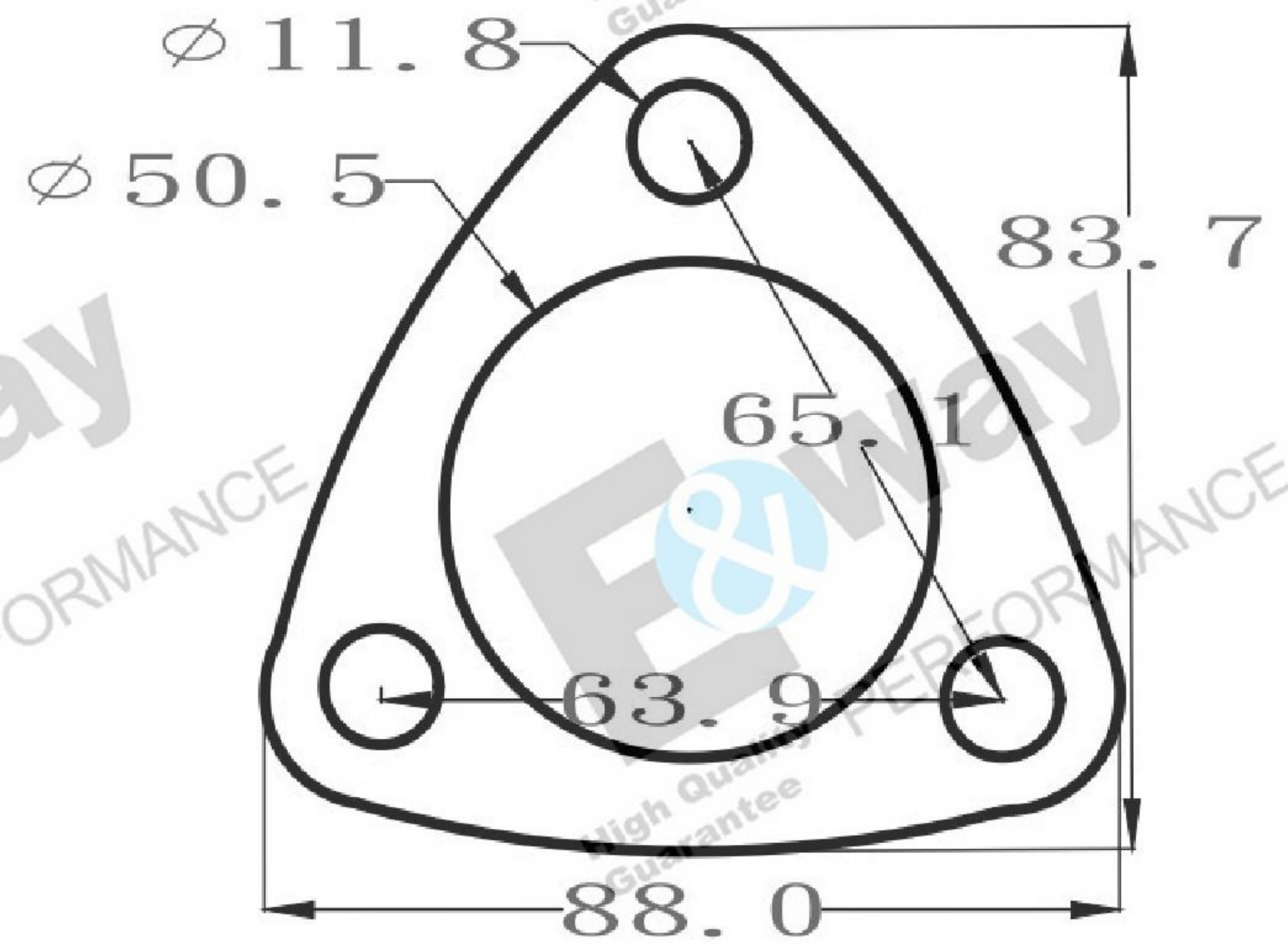
Bolt Circle=109.8/mm(4.32")

Bolt Hole=13/mm(0.51")

Thickness=1.6/mm(0.06")

Material:Steel(3-Layer)

EP3-040



Inside Diameter(ID)=50/mm(1.96")

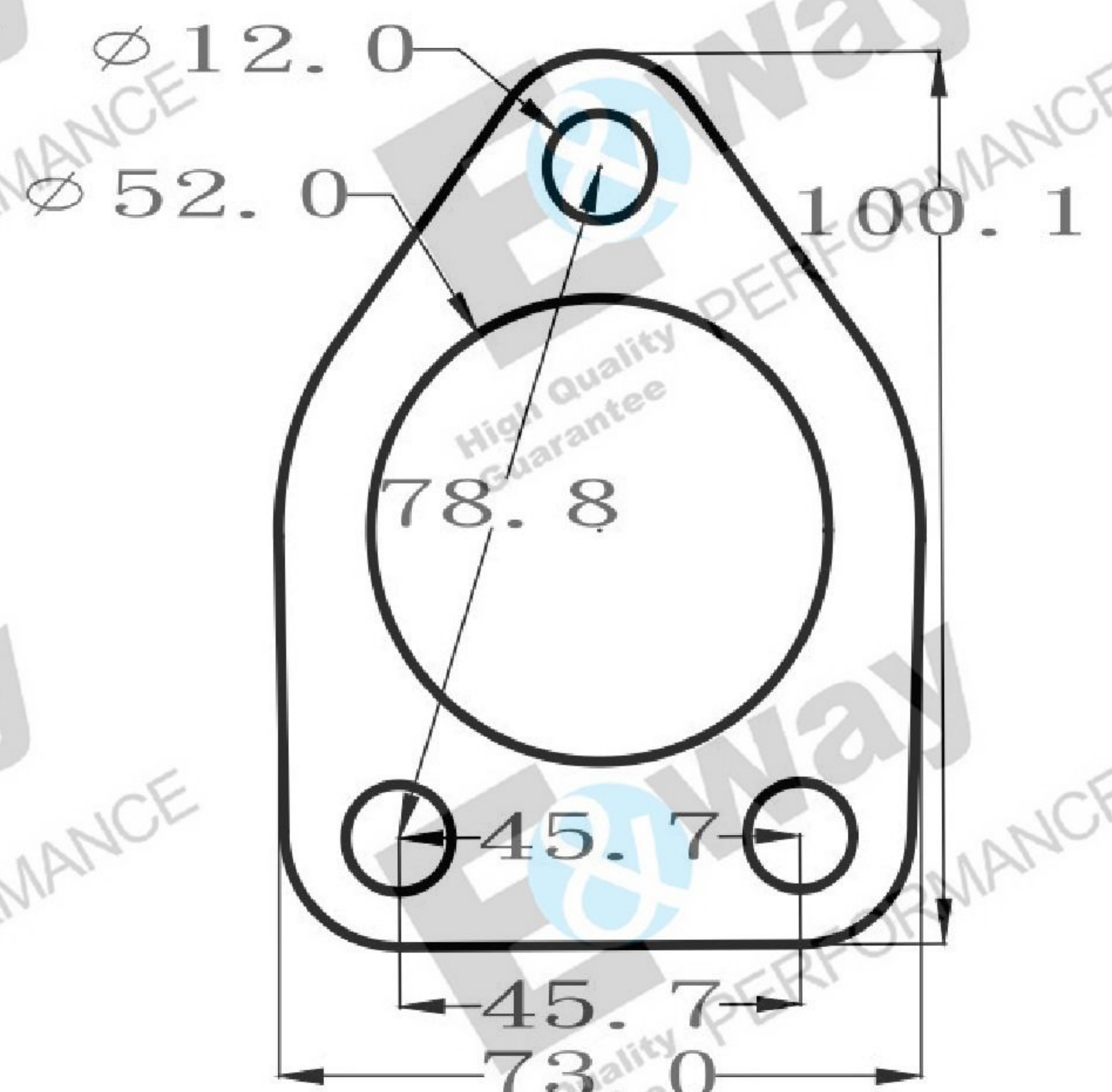
Bolt To Bolt=65.1/mm(2.56")63.9/mm(2.52")

Bolt Hole=11.8/mm(0.46")

Thickness=1.6~2.0/mm(0.06"~0.08")

Material:Steel(Mixed Asbestos Free)

EP3-041



Inside Diameter(ID)=52/mm(2.04")

Bolt To Bolt=78.8/mm(3.10")45.7/mm(1.80")

Bolt Hole=12/mm(0.47")

Thickness=1.6~2.0/mm(0.06"~0.08")

Material:Steel(Mixed Asbestos Free)

EP3-042

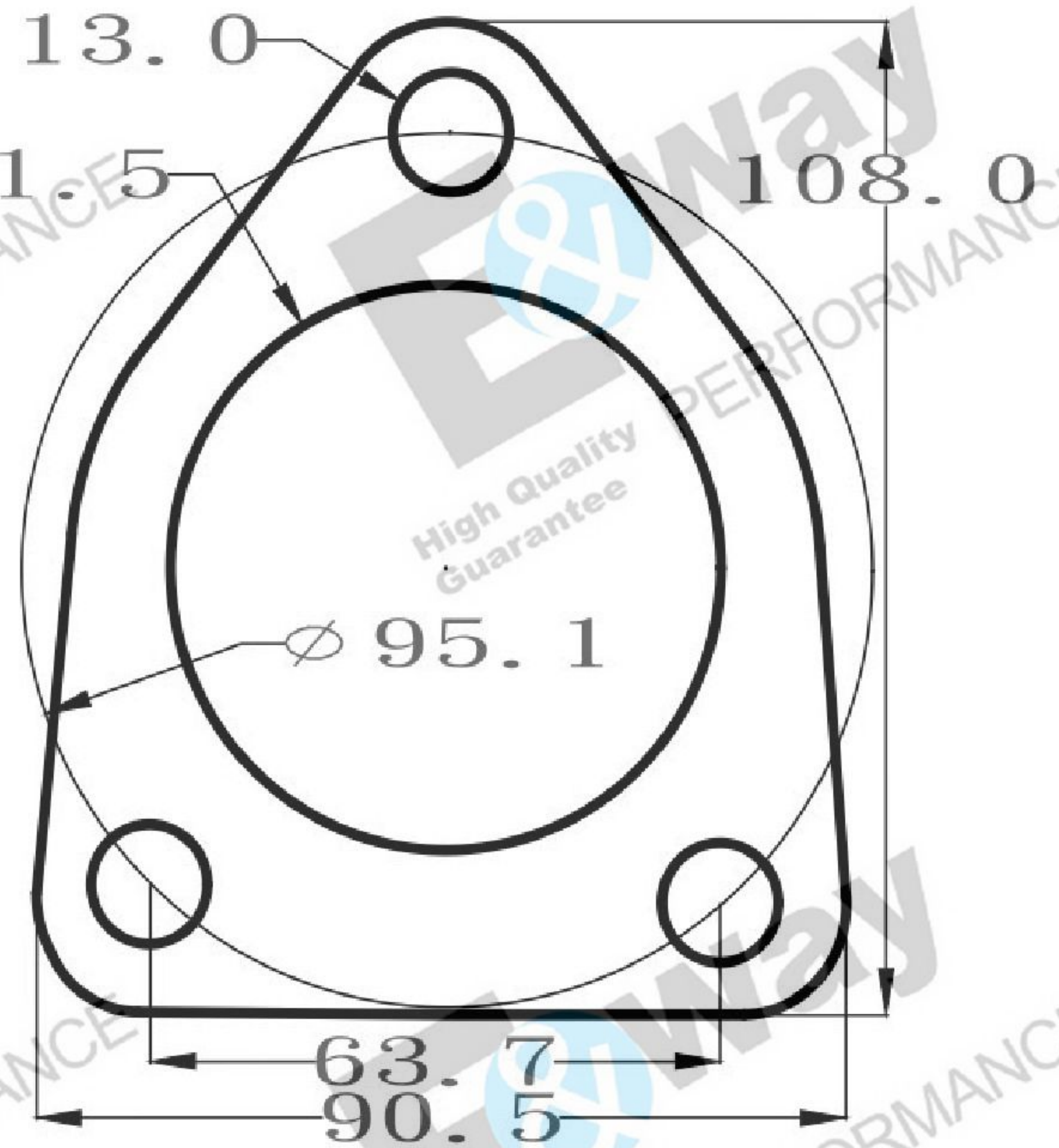
3-Bolt Exhaust Flange/Muffler/Pipe Gasket P15

P15



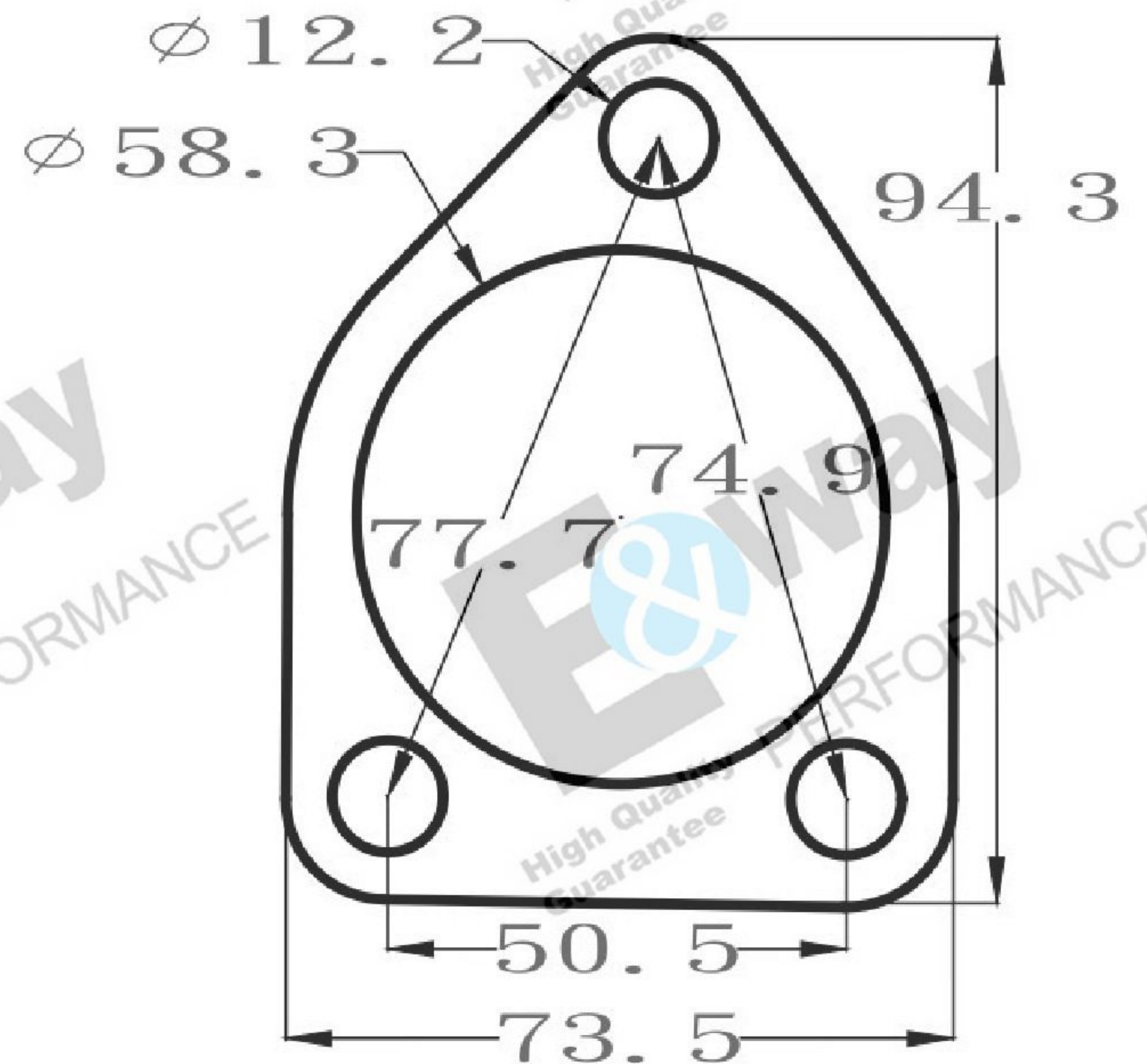
Inside Diameter(ID)=61.5/mm(2.42")
 Bolt Circle=95.1/mm(3.74")
 Bolt Hole=13/mm(0.51")
 Thickness=1.6~2.0/mm(0.06"~0.08")
 Material:Steel(Mixed Asbestos Free)

EP3-043



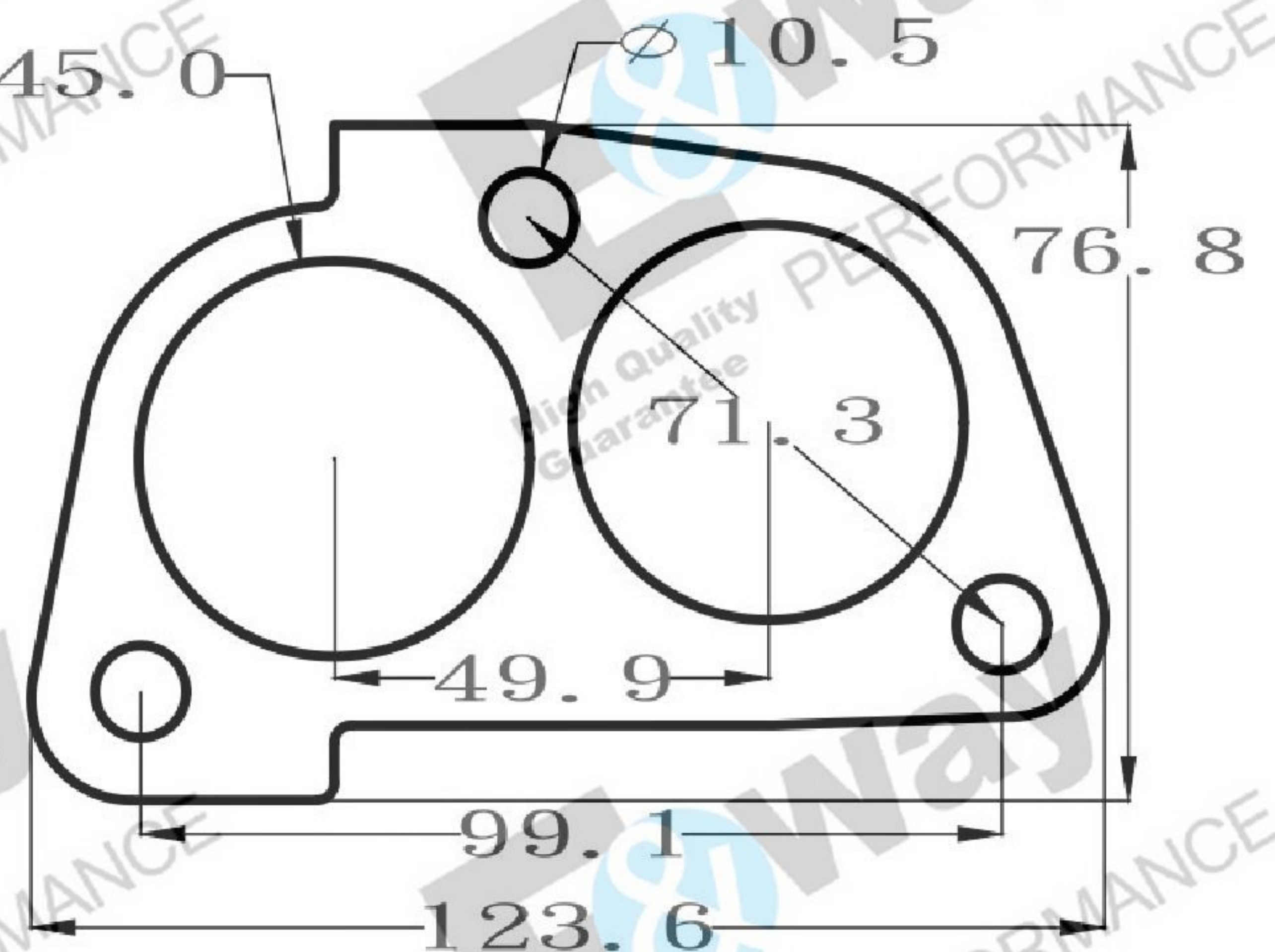
Inside Diameter(ID)=58.3/mm(2.29")
 Bolt To Bolt=77.7/mm(3.06")74.9/mm(2.95")
 Bolt Hole=12.2/mm(0.48")
 Thickness=1.6~2.0/mm(0.06"~0.08")
 Material:Steel(Mixed Asbestos Free)

EP3-044



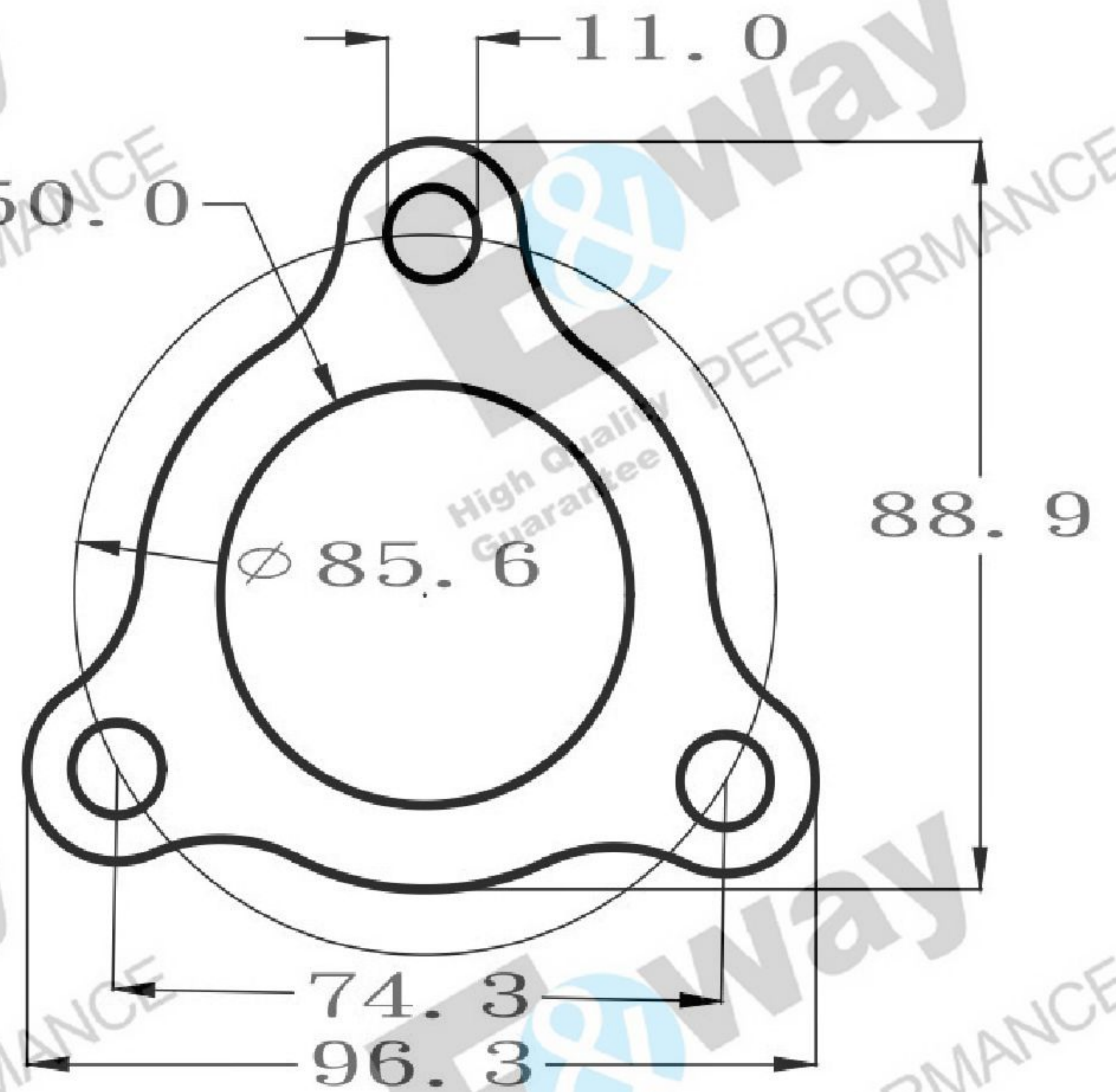
Inside Diameter(ID)=45/mm(1.77")
 Bolt To Bolt=71.3/mm(2.81")99.1/mm(3.90")
 Bolt Hole=10.5/mm(0.41")
 Thickness=1.6~2.0/mm(0.06"~0.08")
 Material:Steel(Mixed Asbestos Free)+Stainless Steel(2-Hole)

EP3-045



3-Bolt Exhaust Flange/Muffler/Pipe Gasket P16

P16



Inside Diameter(ID)=50/mm(1.96")

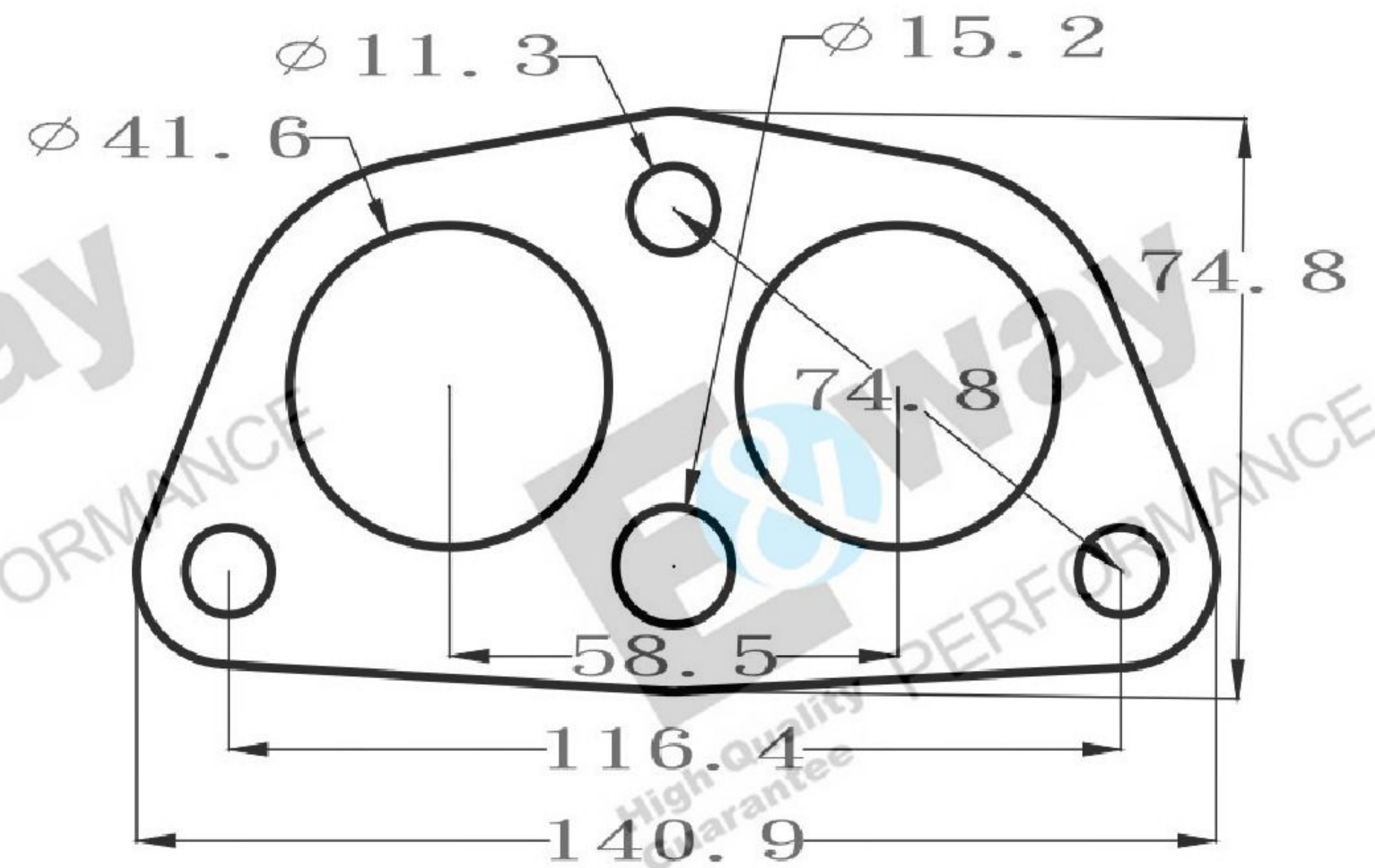
Bolt Circle=85.6/mm(3.37")

Bolt Hole=11/mm(0.43")

Thickness=0.65/mm(0.03")

Material:Steel(Single-Layer)

EP3-046



Inside Diameter(ID)=41.6/mm(1.63")

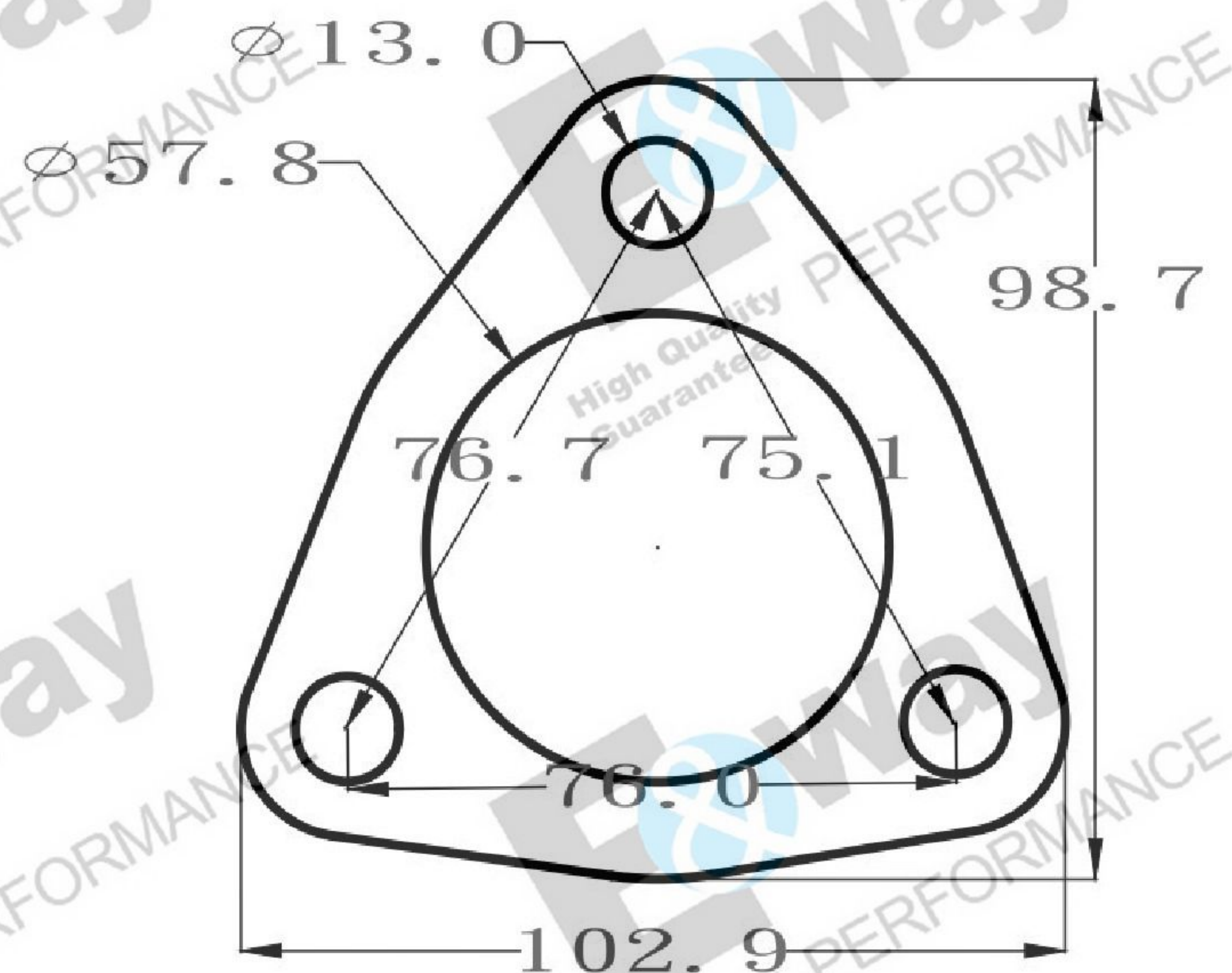
Bolt To Bolt=74.8/mm(2.94")116.4/mm(4.58")

Bolt Hole=11.3/mm(0.44")15.2/mm(0.59")

Thickness=1.6~2.0/mm(0.06"~0.08")

Material:Steel(Mixed Asbestos Free)

EP3-047



Inside Diameter(ID)=57.8/mm(2.27")

Bolt To Bolt=76.7/mm(3.02")75.1/mm(2.96")

Bolt Hole=13/mm(0.51")

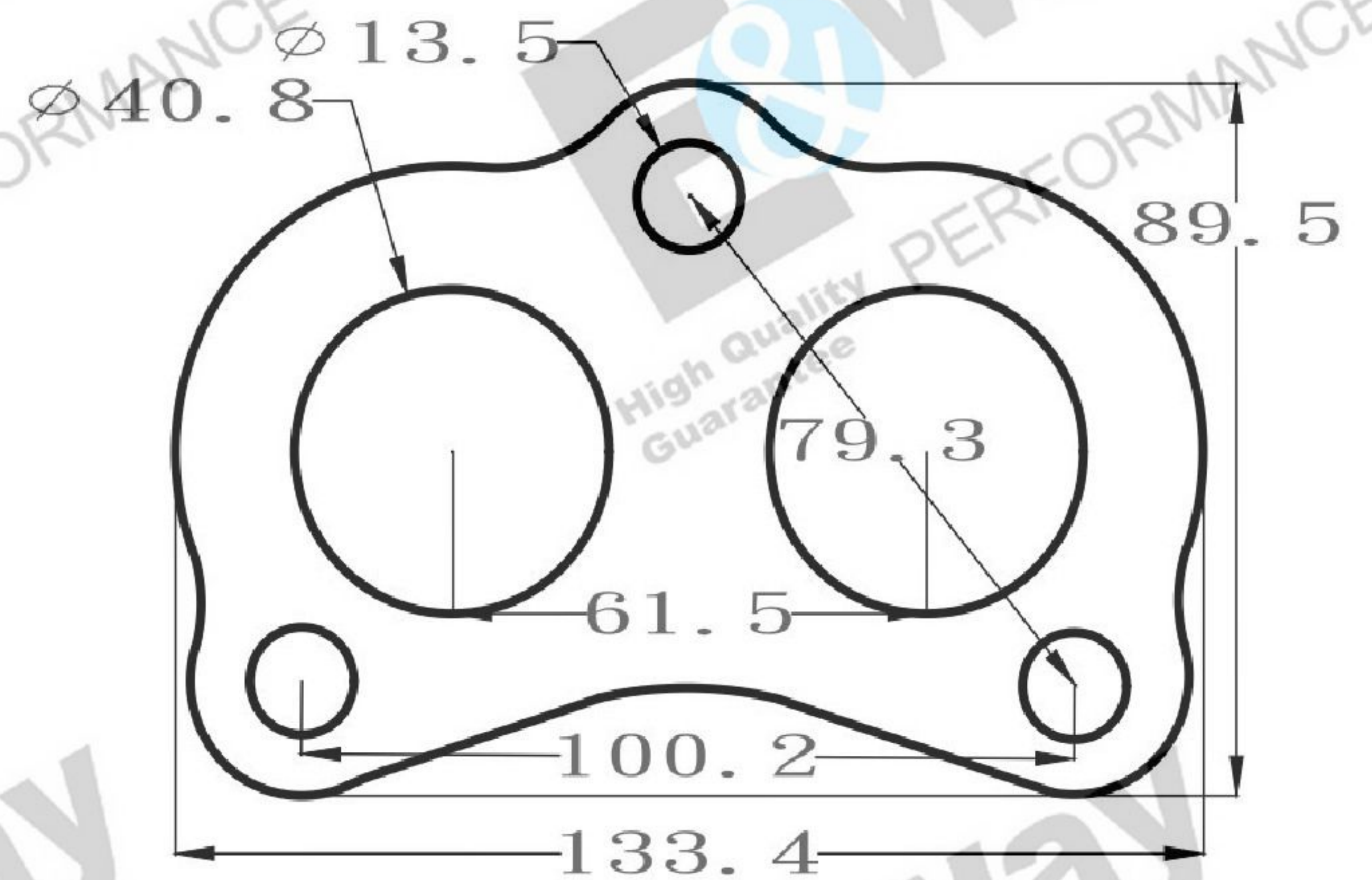
Thickness=1.6~2.0/mm(0.06"~0.08")

Material:Steel(Mixed Asbestos Free)

EP3-048

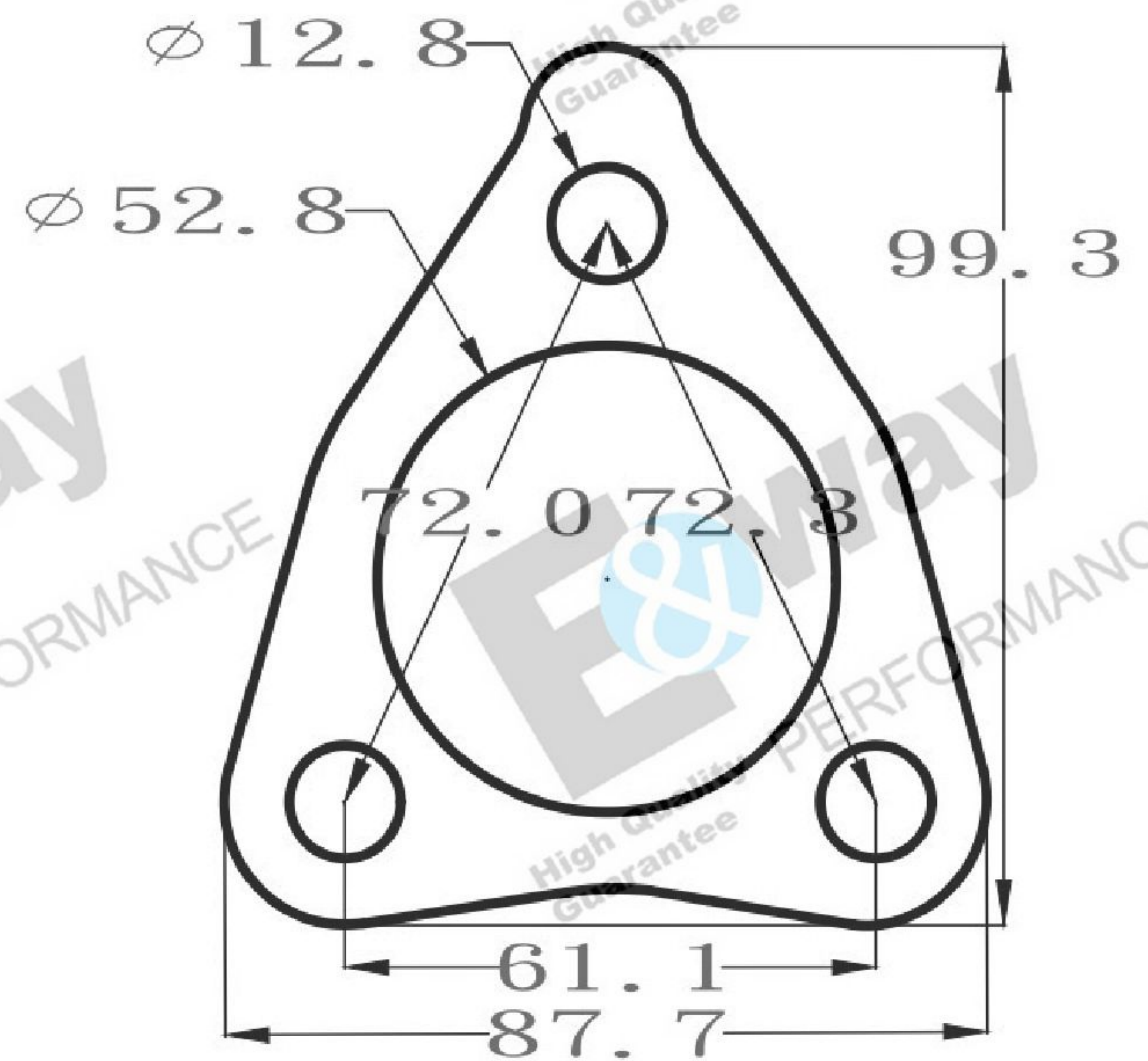
3-Bolt Exhaust Flange/Muffler/Pipe Gasket P17

P17



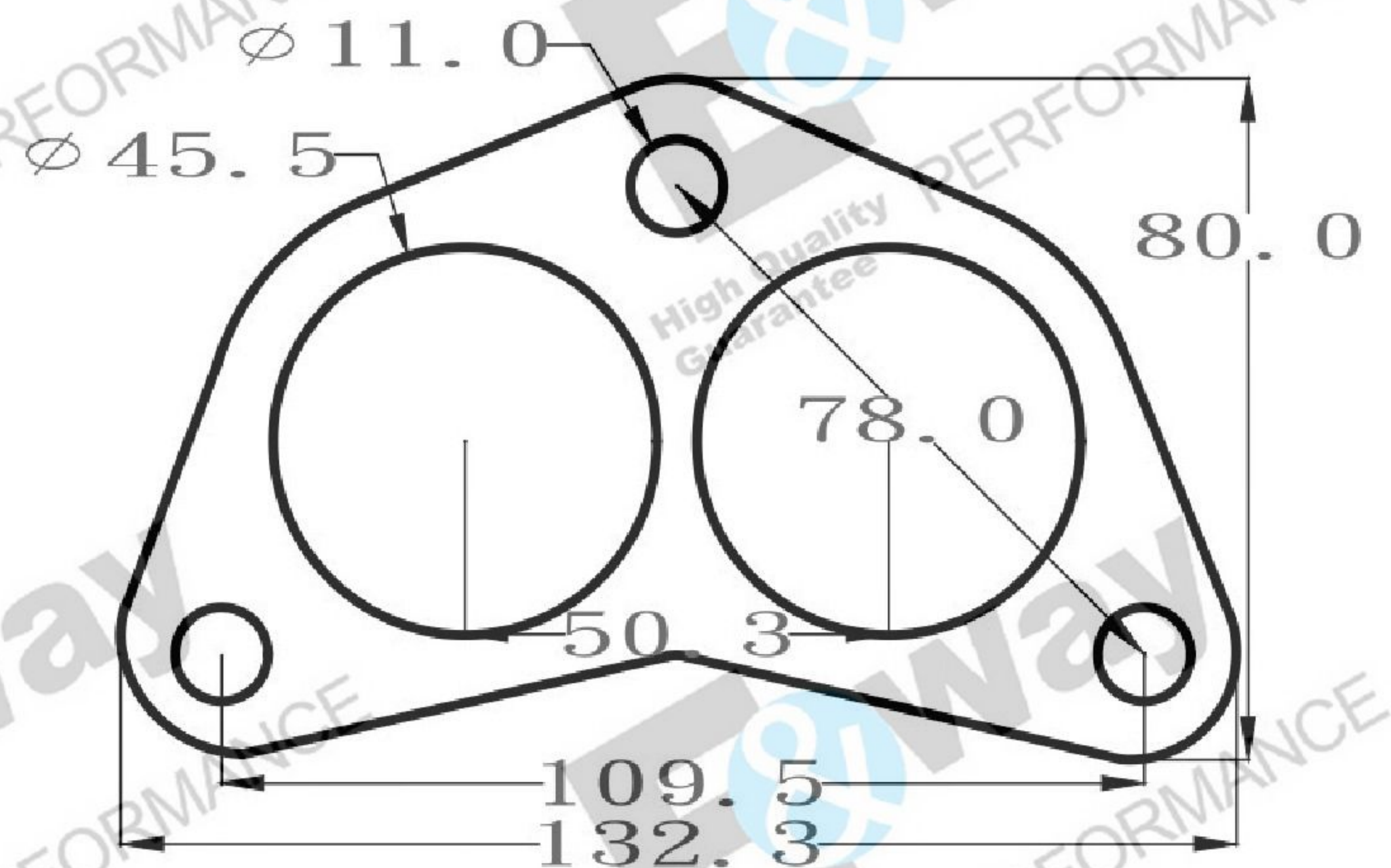
Inside Diameter(ID)=40.8/mm(1.60")
 Bolt To Bolt=79.3/mm(3.12")100.2/mm(3.94")
 Bolt Hole=13.5/mm(0.53")
 Thickness=1.6~2.0/mm(0.06"~0.08")
 Material:Steel(Mixed Asbestos Free)

EP3-049



Inside Diameter(ID)=52.8/mm(2.07")
 Bolt To Bolt=72/mm(2.83")61.1/mm(2.41")
 Bolt Hole=12.8/mm(0.50")
 Thickness=1.6~2.0/mm(0.06"~0.08")
 Material:Steel(Mixed Asbestos Free)

EP3-050

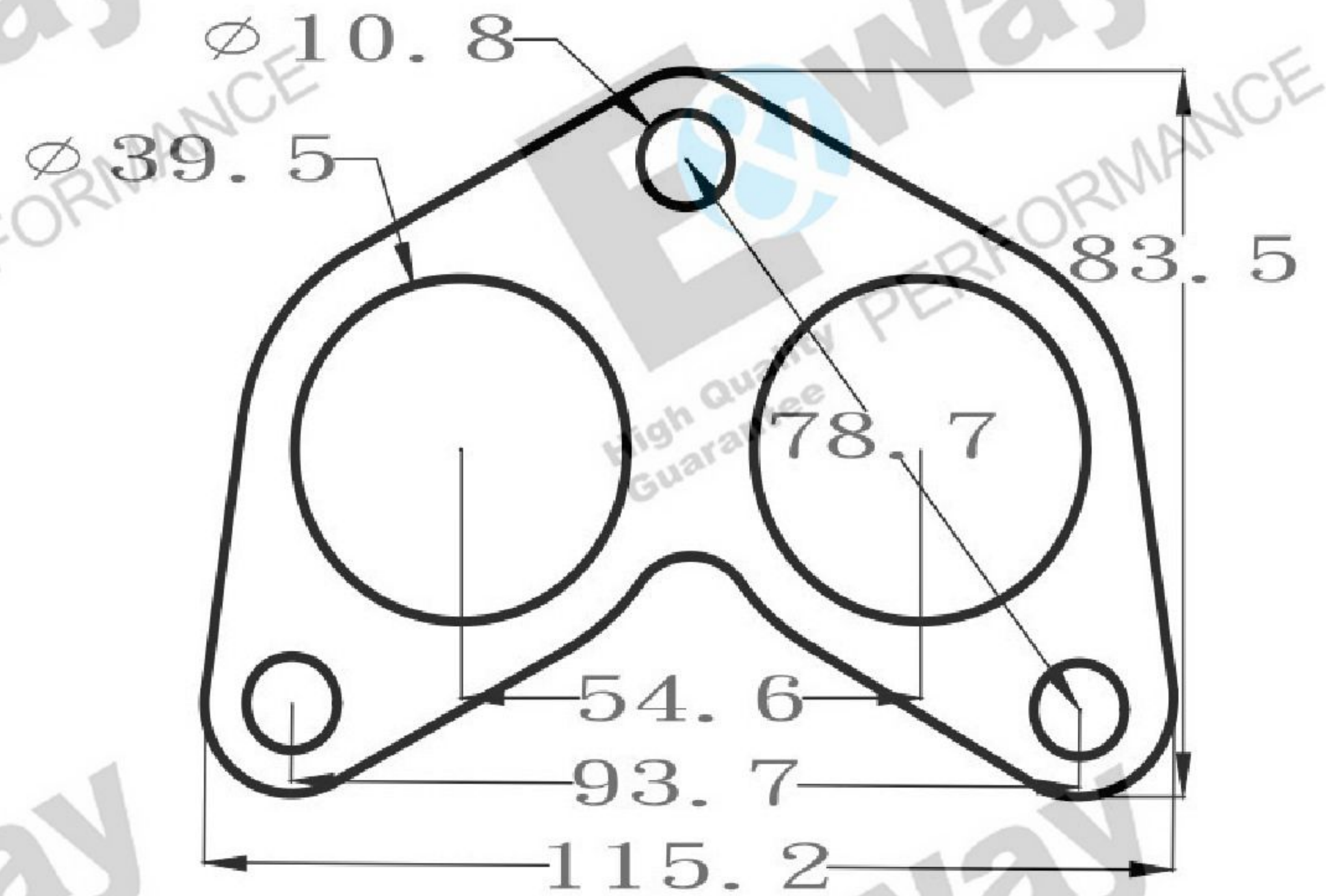


Inside Diameter(ID)=45.5/mm(1.79")
 Bolt To Bolt=78/mm(3.07")109.5/mm(4.31")
 Bolt Hole=11/mm(0.43")
 Thickness=1.6~2.0/mm(0.06"~0.08")
 Material:Steel(Mixed Asbestos Free)

EP3-051

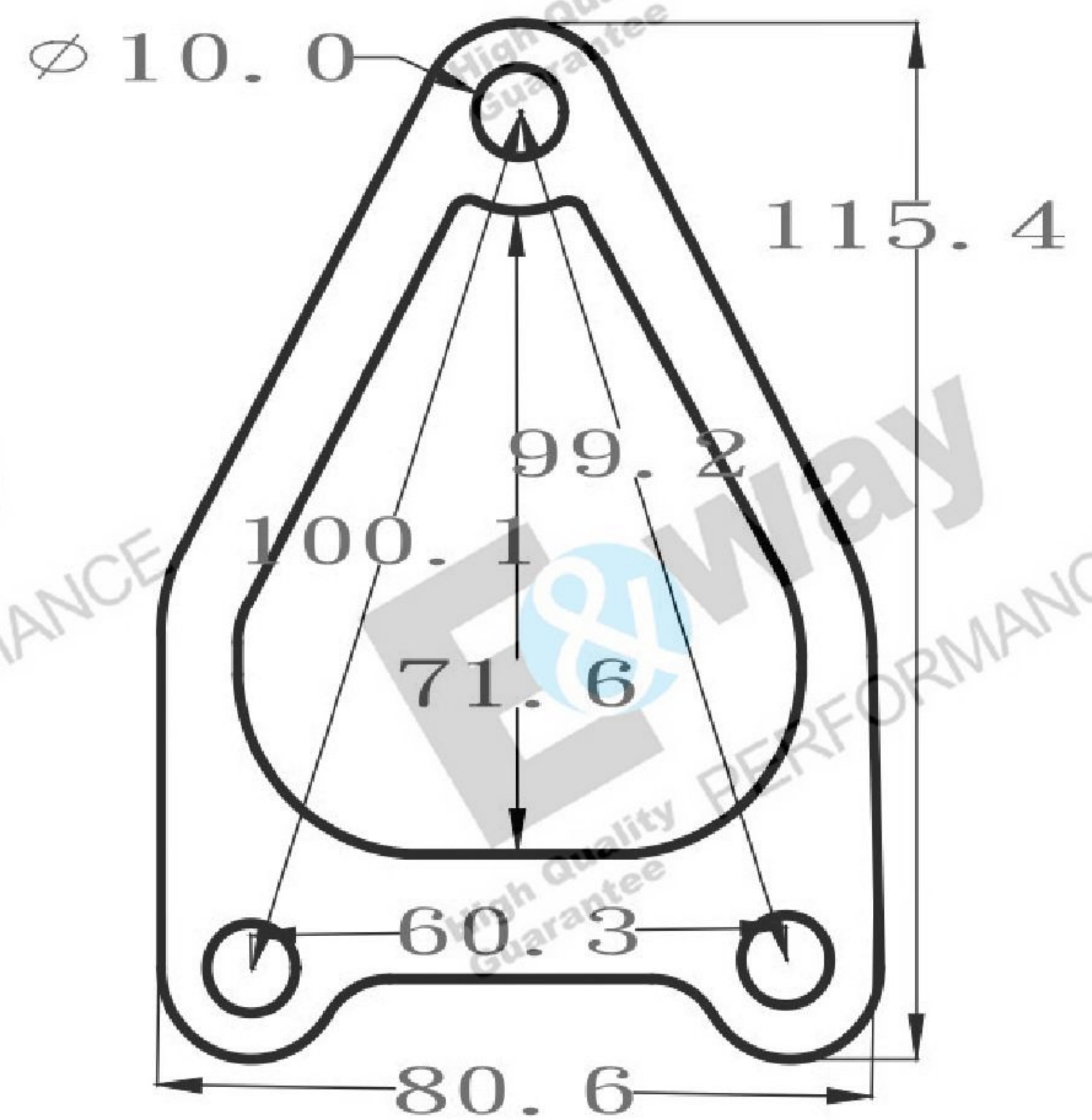
3-Bolt Exhaust Flange/Muffler/Pipe Gasket P18

P18



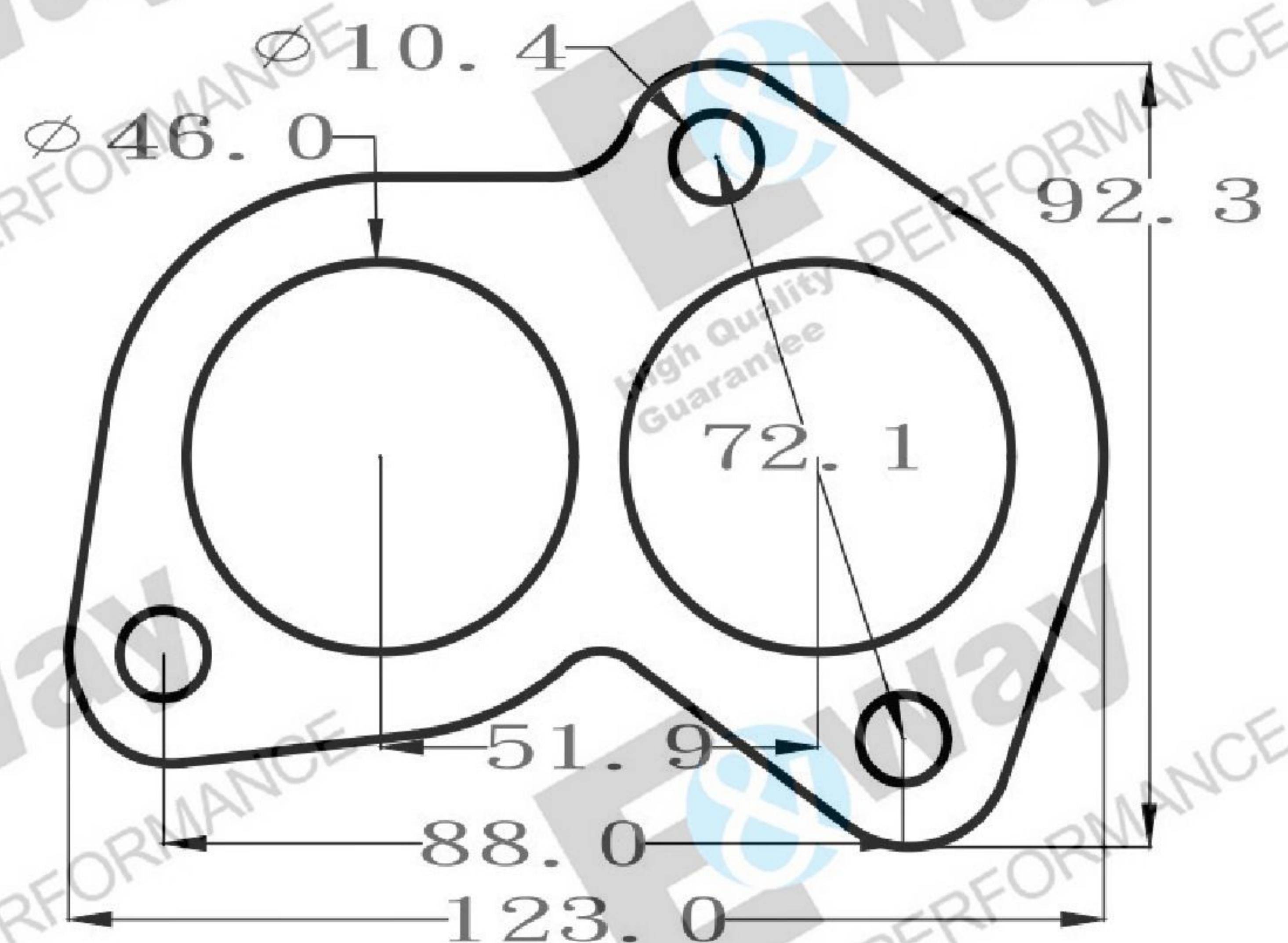
Inside Diameter(ID)=39.5/mm(1.55")
 Bolt To Bolt=78.7/mm(3.10")93.7/mm(3.69")
 Bolt Hole=10.8/mm(0.42")
 Thickness=1.6~2.0/mm(0.06"~0.08")
 Material:Steel(Mixed Asbestos Free)

EP3-052



Inside Hole=71.6/mm(2.81")
 Bolt To Bolt=60.3/mm(2.37")100.1/mm(3.94")
 Bolt Hole=10/mm(0.39")
 Thickness=1.6~2.0/mm(0.06"~0.08")
 Material:Steel(Mixed Asbestos Free)

EP3-053

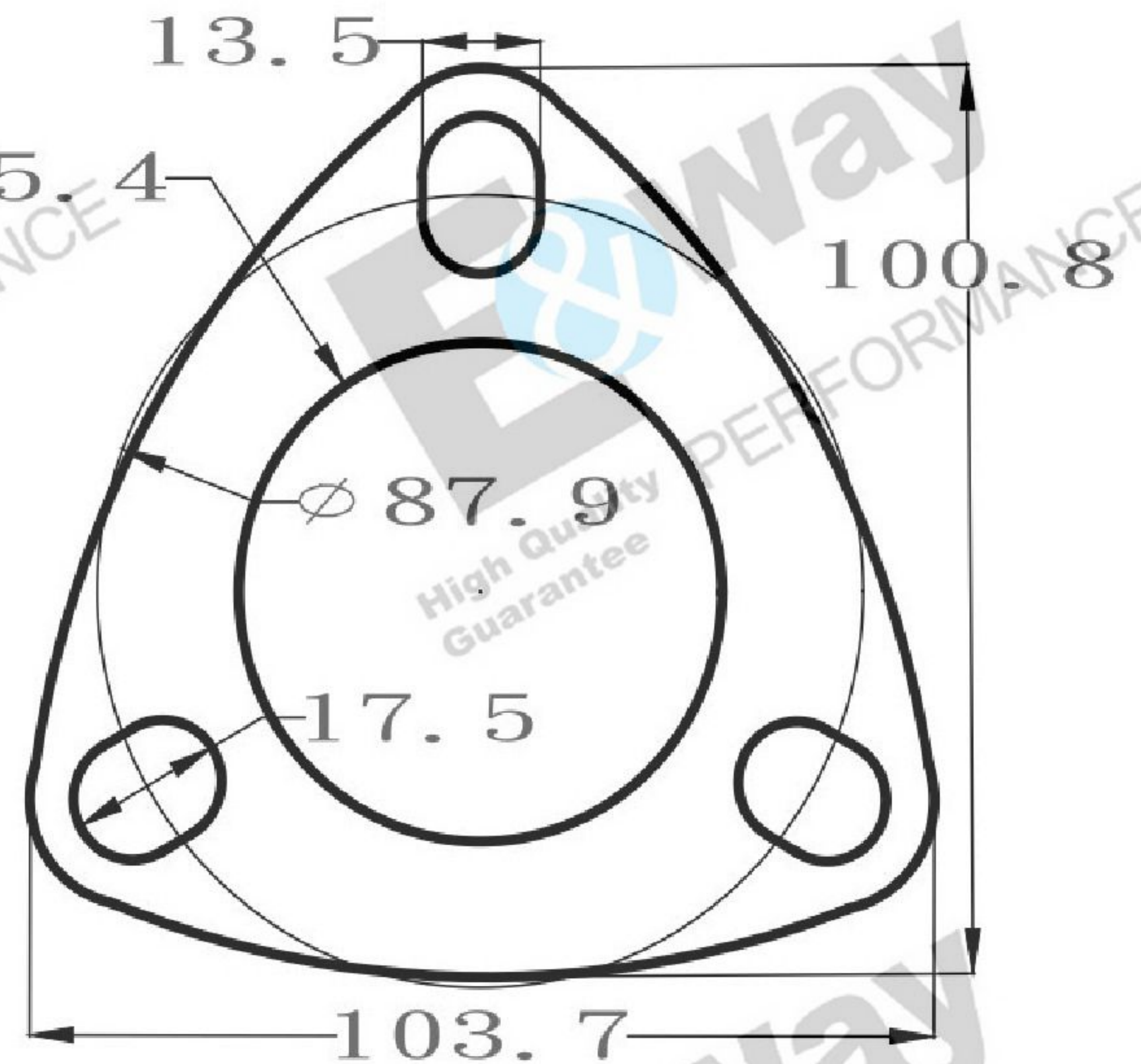
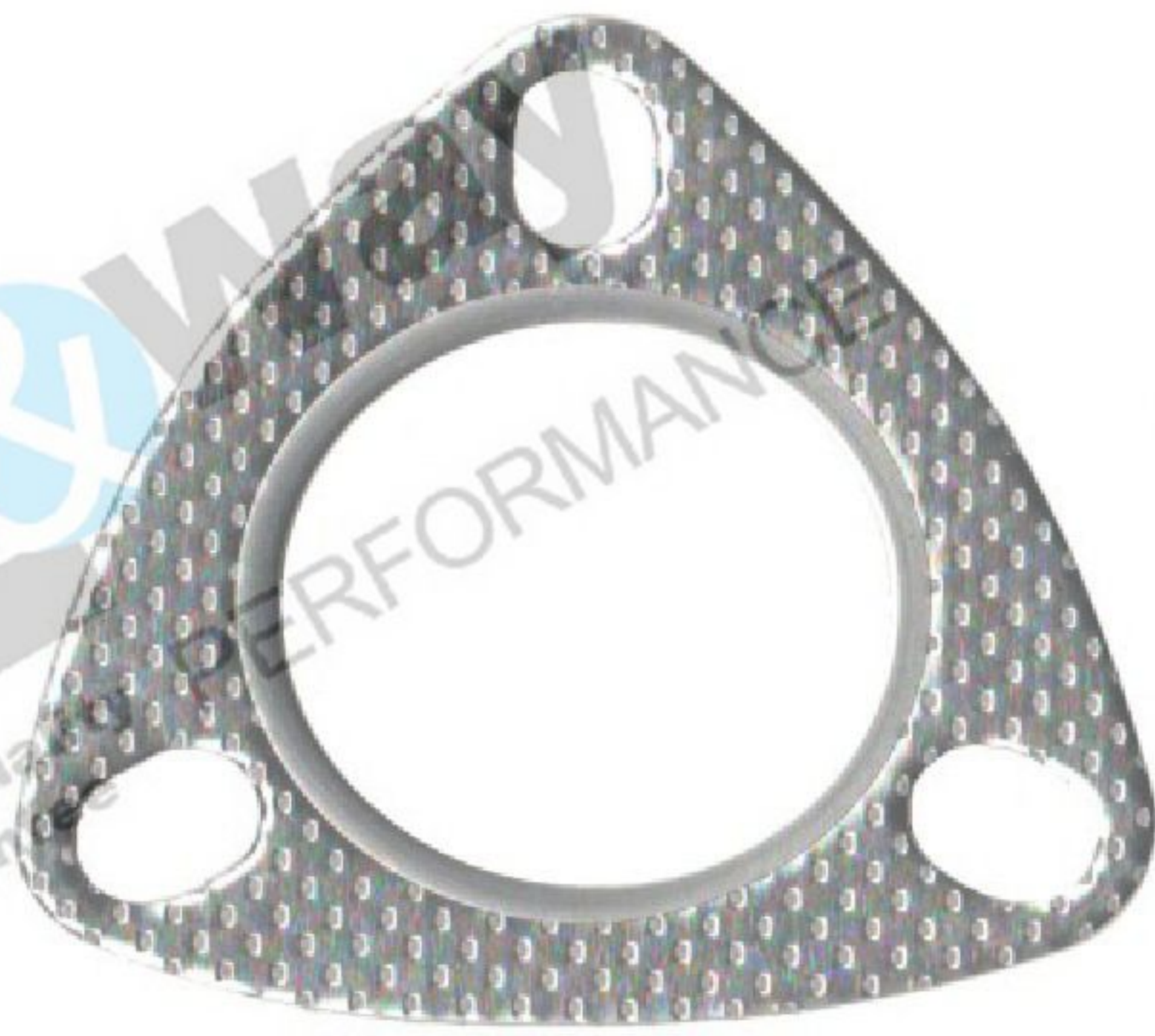


Inside Diameter(ID)=46/mm(1.81")
 Bolt To Bolt=72.1/mm(2.84")88/mm(3.46")
 Bolt Hole=10.4/mm(0.4")
 Thickness=1.6~2.0/mm(0.06"~0.08")
 Material:Steel(Mixed Asbestos Free)

EP3-054

3-Bolt Exhaust Flange/Muffler/Pipe Gasket P19

P19



Inside Diameter(ID)=55.4/mm(2.18")

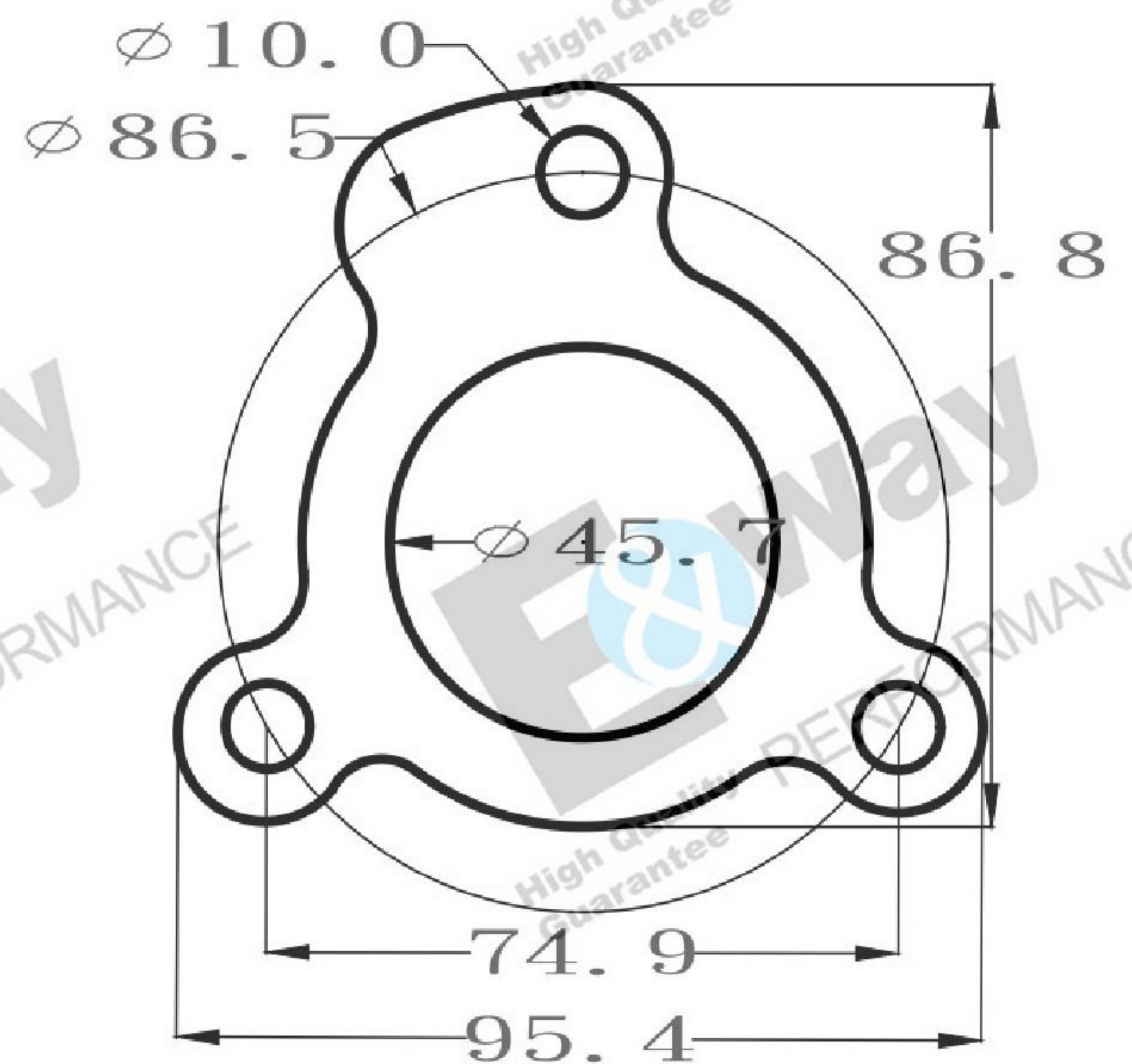
Bolt Circle=87.9/mm(3.46")

Bolt Hole=13.5/mm(0.53")

Thickness=1.6~2.0/mm(0.06"~0.08")

Material:Steel(Mixed Asbestos Free)+Stainless Steel(Hole)

EP3-055



Inside Diameter(ID)=45.7/mm(1.79")

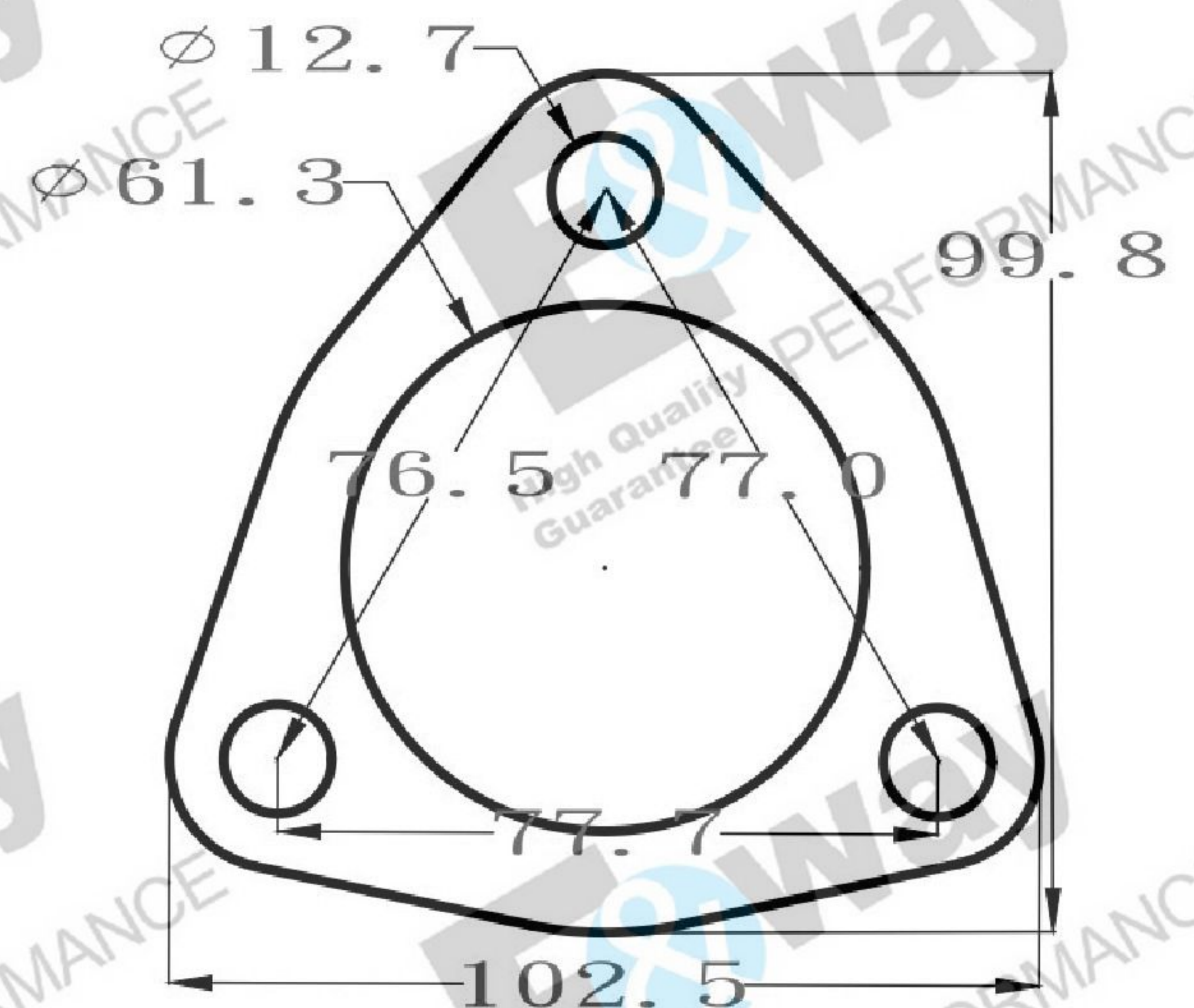
Bolt Circle=86.5/mm(3.41")

Bolt Hole=10/mm(0.39")

Thickness=1.6~2.0/mm(0.06"~0.08")

Material:Steel(Mixed Asbestos Free)

EP3-056



Inside Diameter(ID)=61.3/mm(2.41")

Bolt To Bolt=77.7/mm(3.06")76.5/mm(3.01")

Bolt Hole=12.7/mm(0.50")

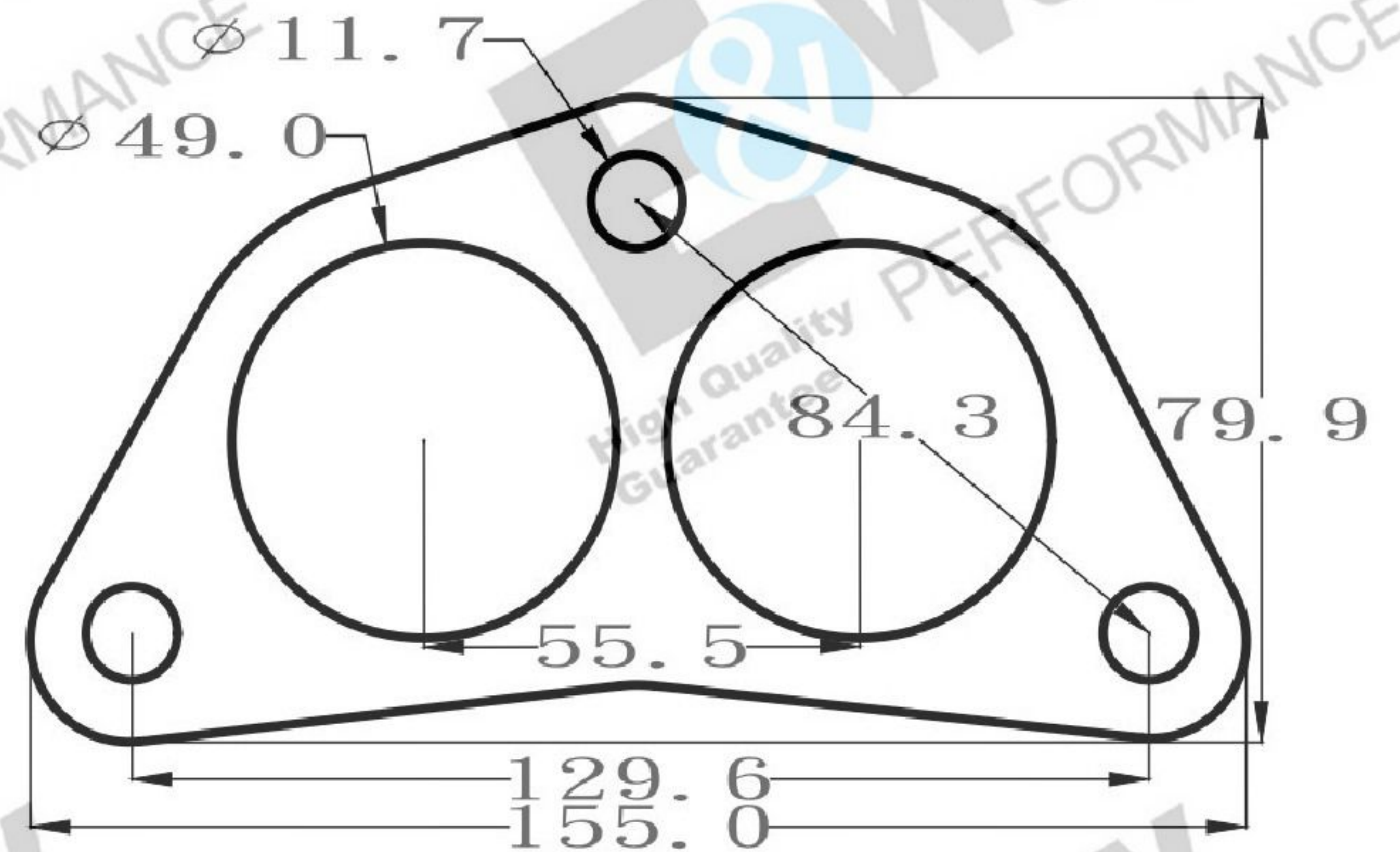
Thickness=1.6~2.0/mm(0.06"~0.08")

Material:Steel+Graphite(Mixed Steel)+Steel+Stainless Steel(Hole)

EP3-057

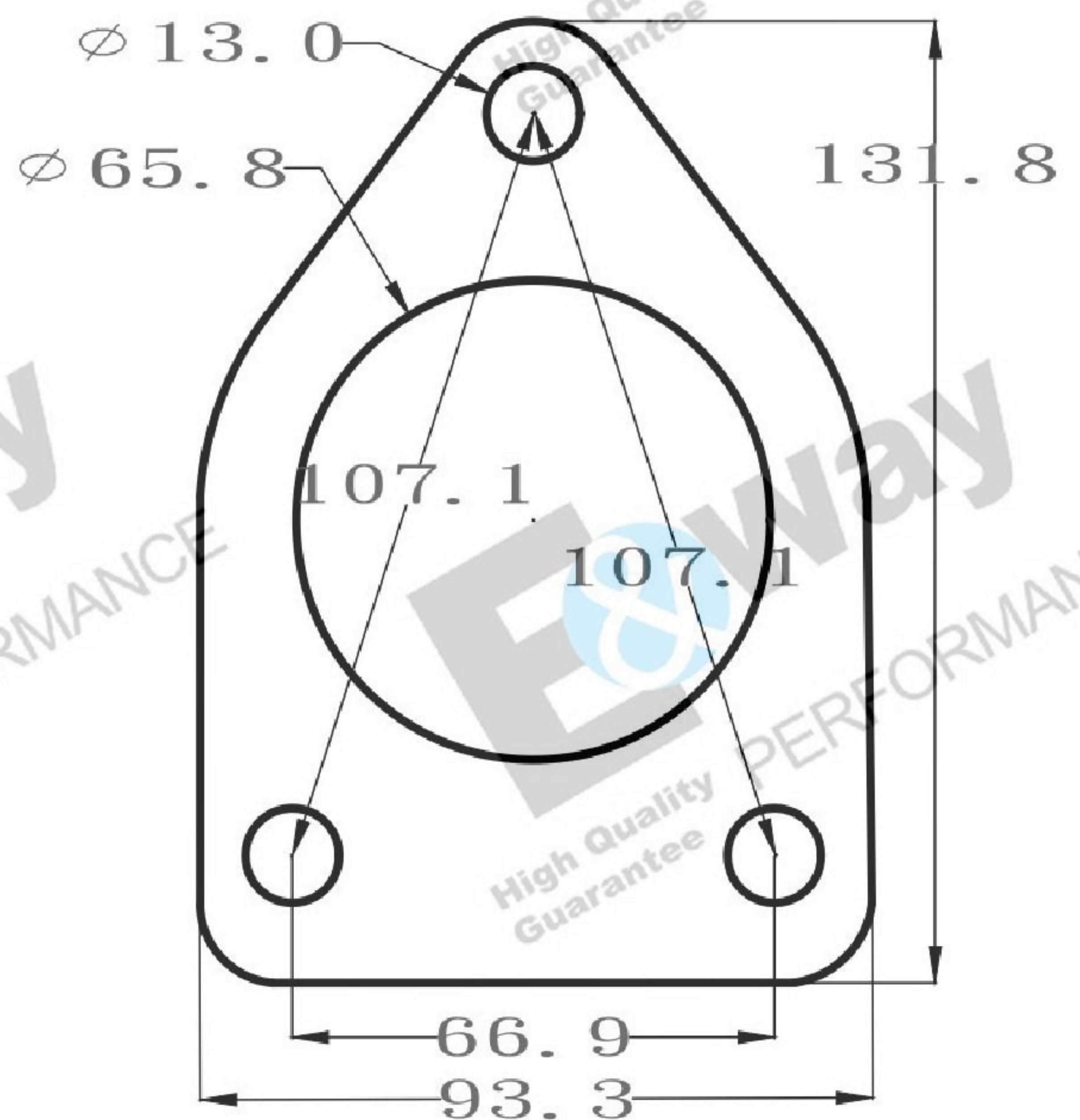
3-Bolt Exhaust Flange/Muffler/Pipe Gasket P20

P20



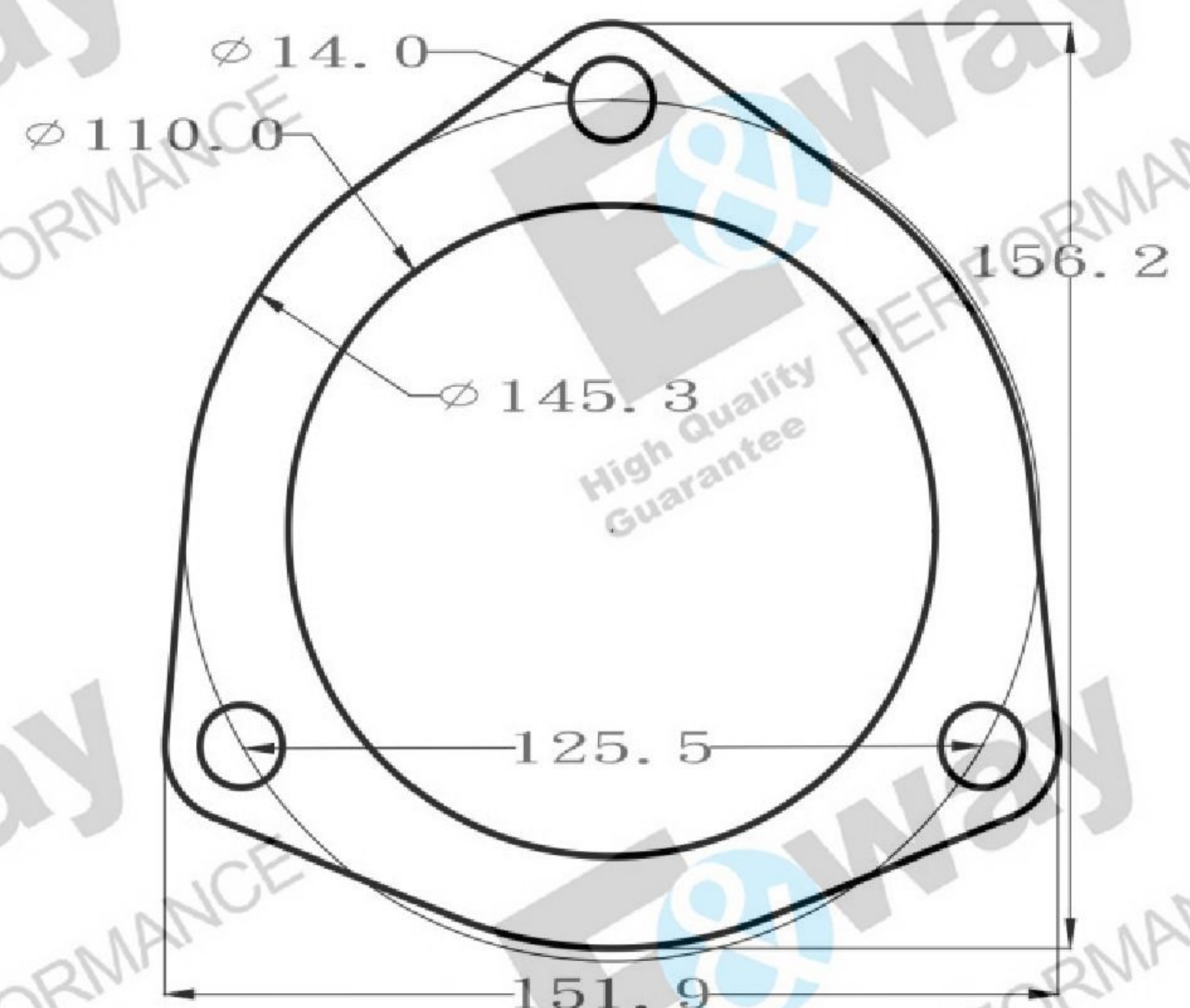
Inside Diameter(ID)=49/mm(1.92")
 Bolt To Bolt=84.3/mm(3.32")129.6/mm(5.10")
 Bolt Hole=11.7/mm(0.46")
 Thickness=1.6~2.0/mm(0.06"~0.08")
 Material:Steel(Mixed Asbestos Free)

EP3-058



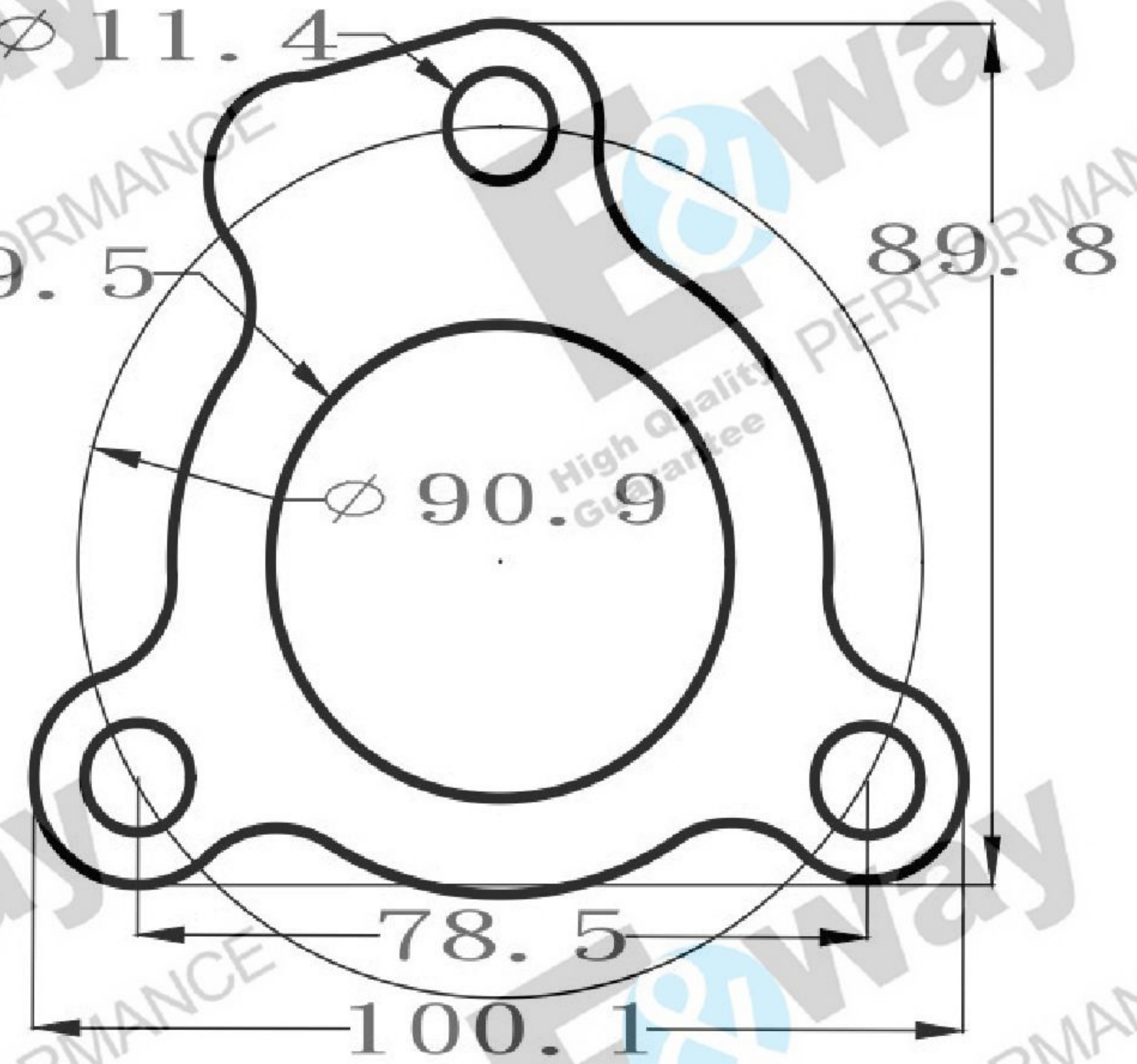
Inside Diameter(ID)=65.8/mm(2.59")
 Bolt To Bolt=66.9/mm(2.63")107.1/mm(4.22")
 Bolt Hole=13/mm(0.51")
 Thickness=1.6~2.0/mm(0.06"~0.08")
 Material:Steel(Mixed Asbestos Free)

EP3-059



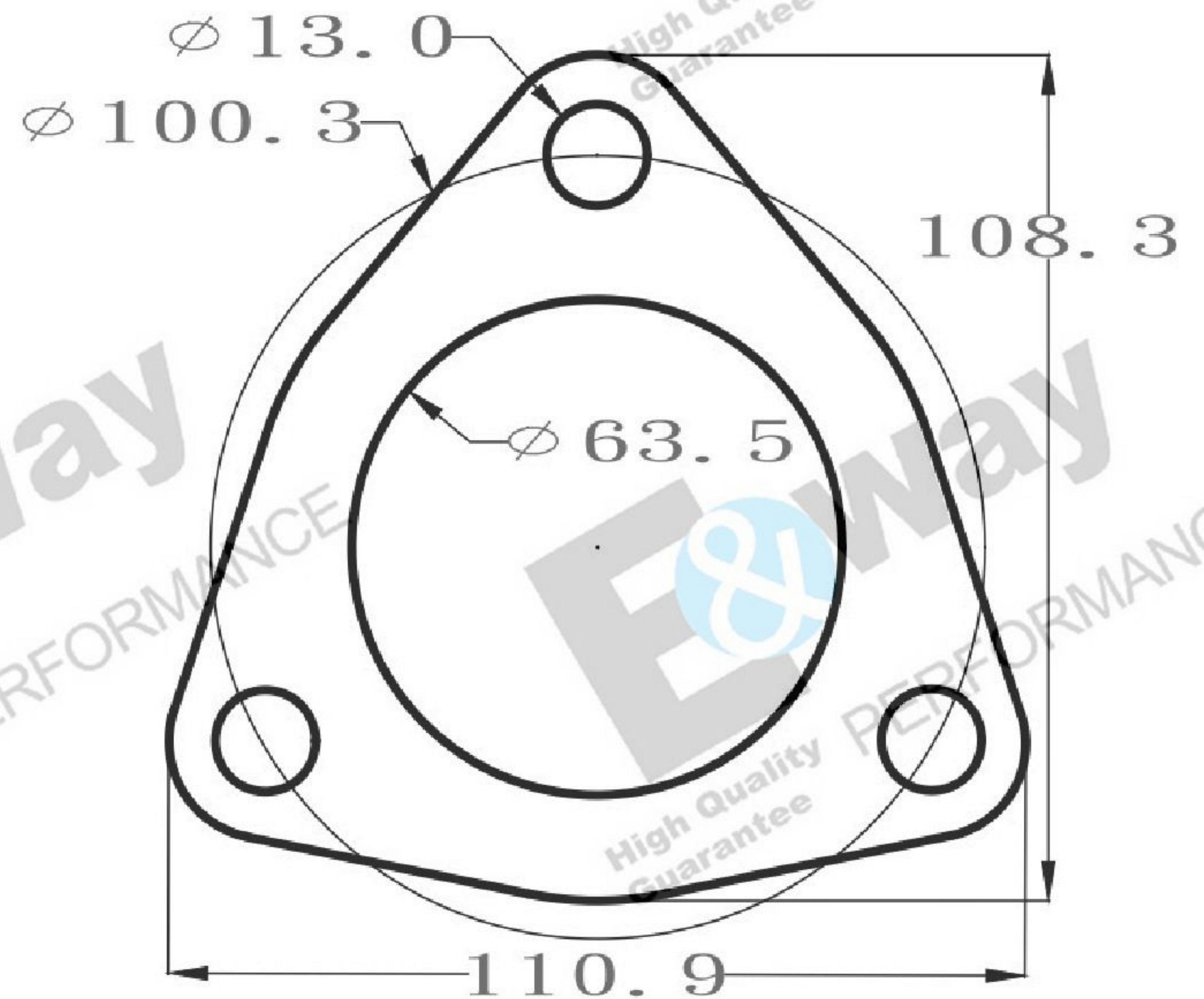
Inside Diameter(ID)=110/mm(4.33")
 Bolt Circle=145.3/mm(5.72")
 Bolt Hole=14/mm(0.55")
 Thickness=1.6~2.0/mm(0.06"~0.08")
 Material:Steel(Mixed Asbestos Free)+Stainless Steel(Hole)

EP3-060



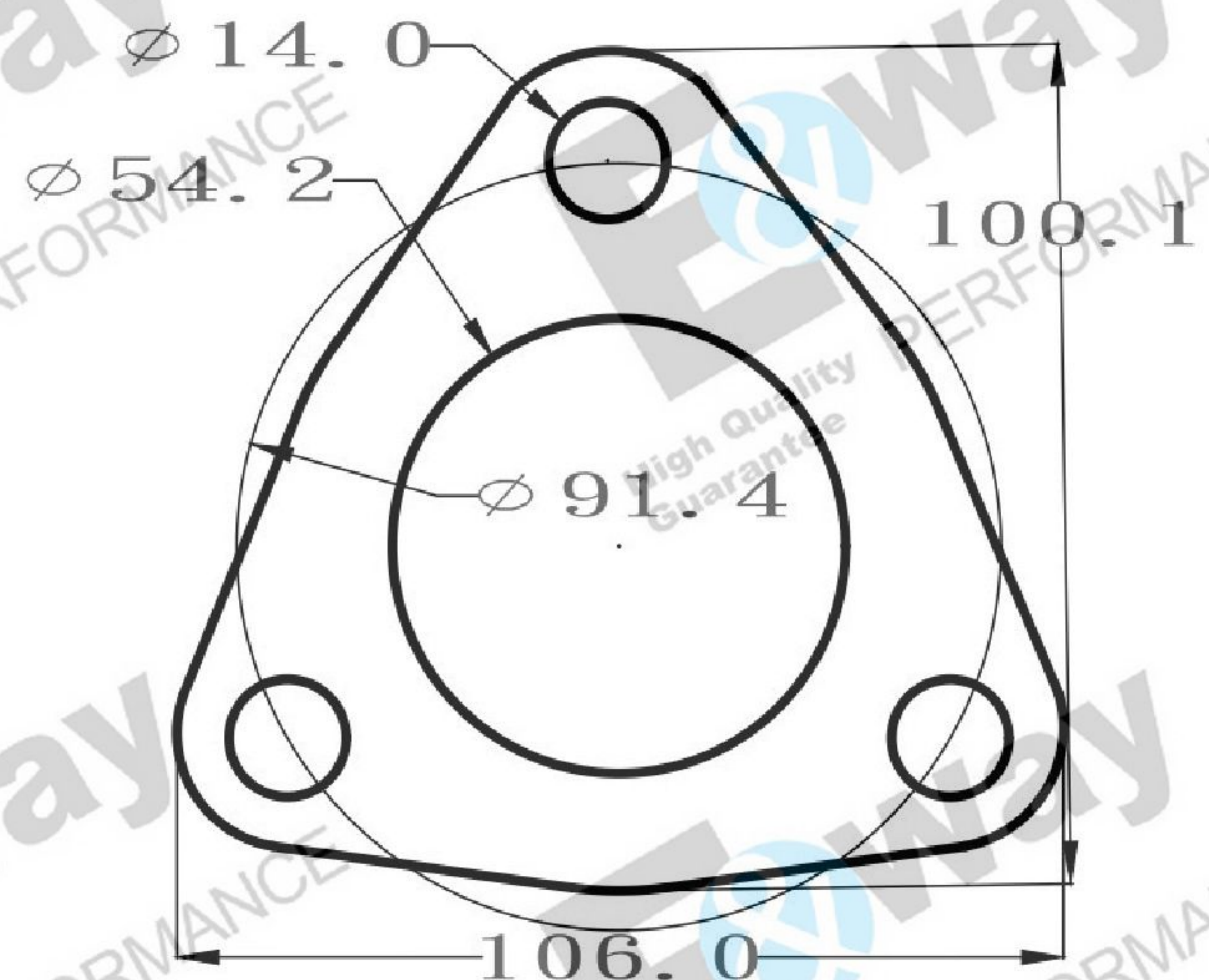
Inside Diameter(ID)=49.5/mm(19.4")
 Bolt Circle=90.9/mm(3.58")
 Bolt Hole=11.4/mm(0.44")
 Thickness=1.6~2.0/mm(0.06"~0.08")
 Material:Steel(Mixed Asbestos Free)

EP3-061



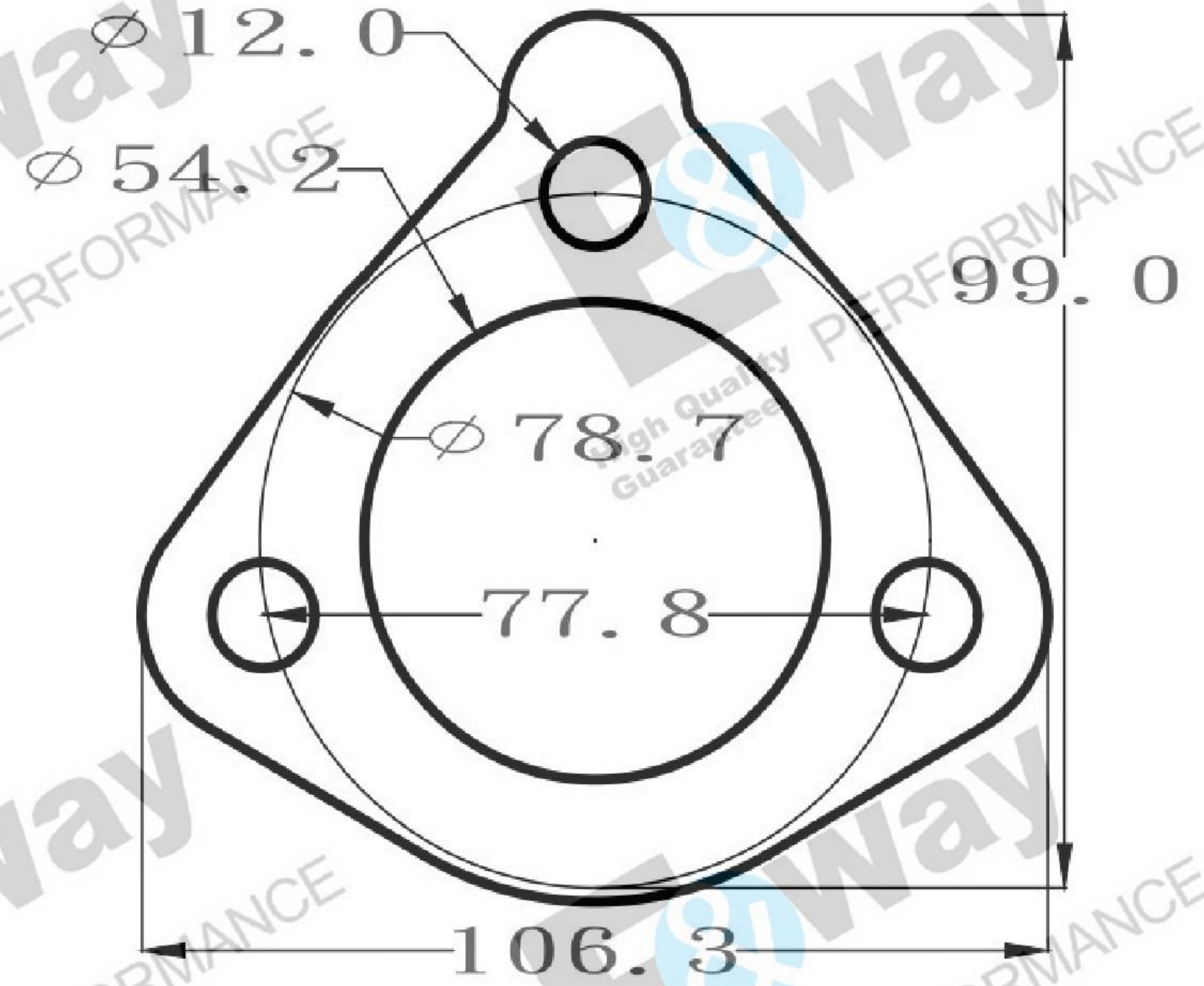
Inside Diameter(ID)=63.5/mm(2.50")
 Bolt Circle=100.3/mm(3.95")
 Bolt Hole=13/mm(0.51")
 Thickness=1.6~2.0/mm(0.06"~0.08")
 Material:Steel(Mixed Asbestos Free)

EP3-062



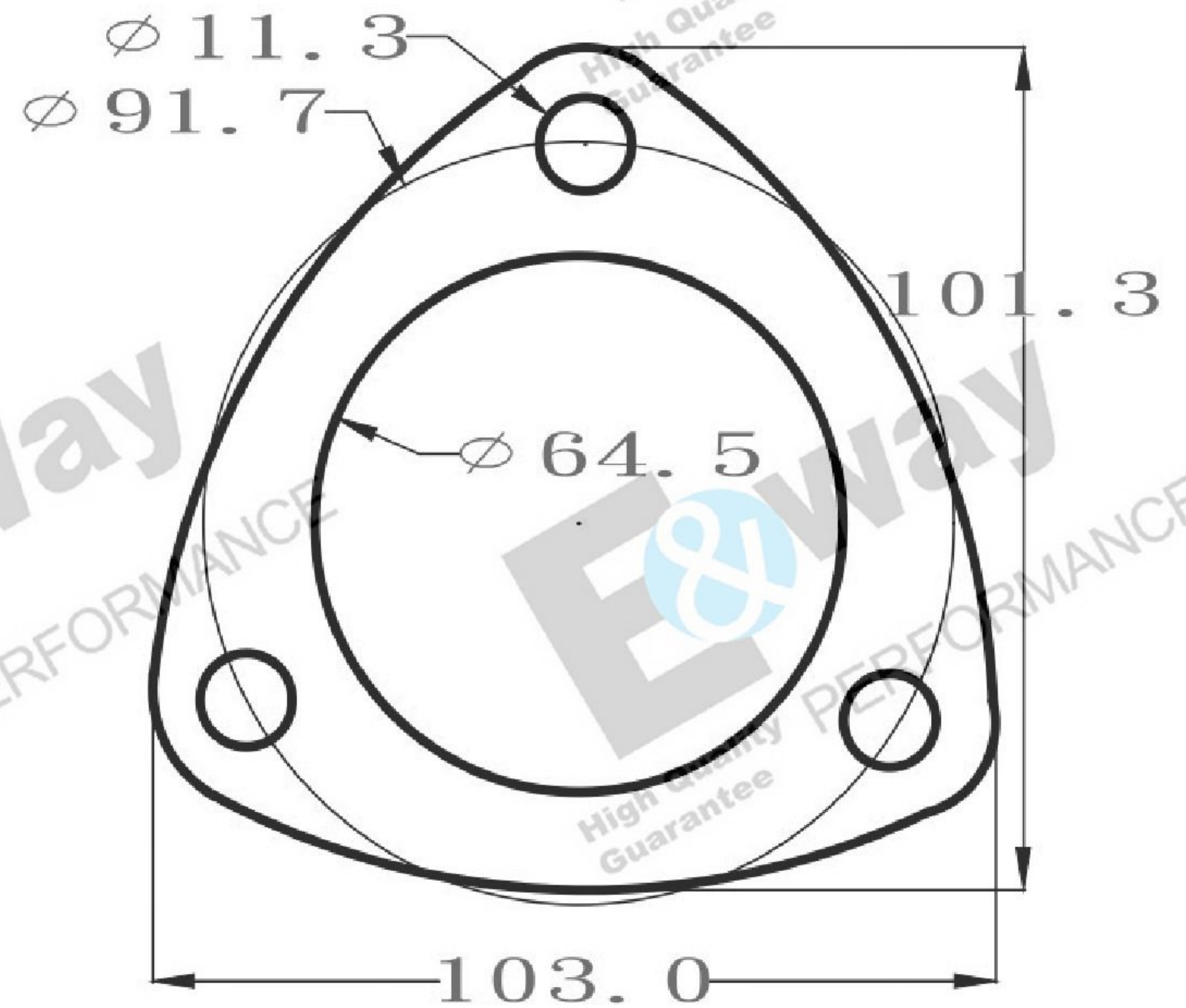
Inside Diameter(ID)=54.2/mm(2.13")
 Bolt Circle=91.4/mm(3.59")
 Bolt Hole=14/mm(0.55/mm)
 Thickness=1.6~2.0/mm(0.06"~0.08")
 Material:Steel(Mixed Asbestos Free)+Stainless Steel(Hole)

EP3-063



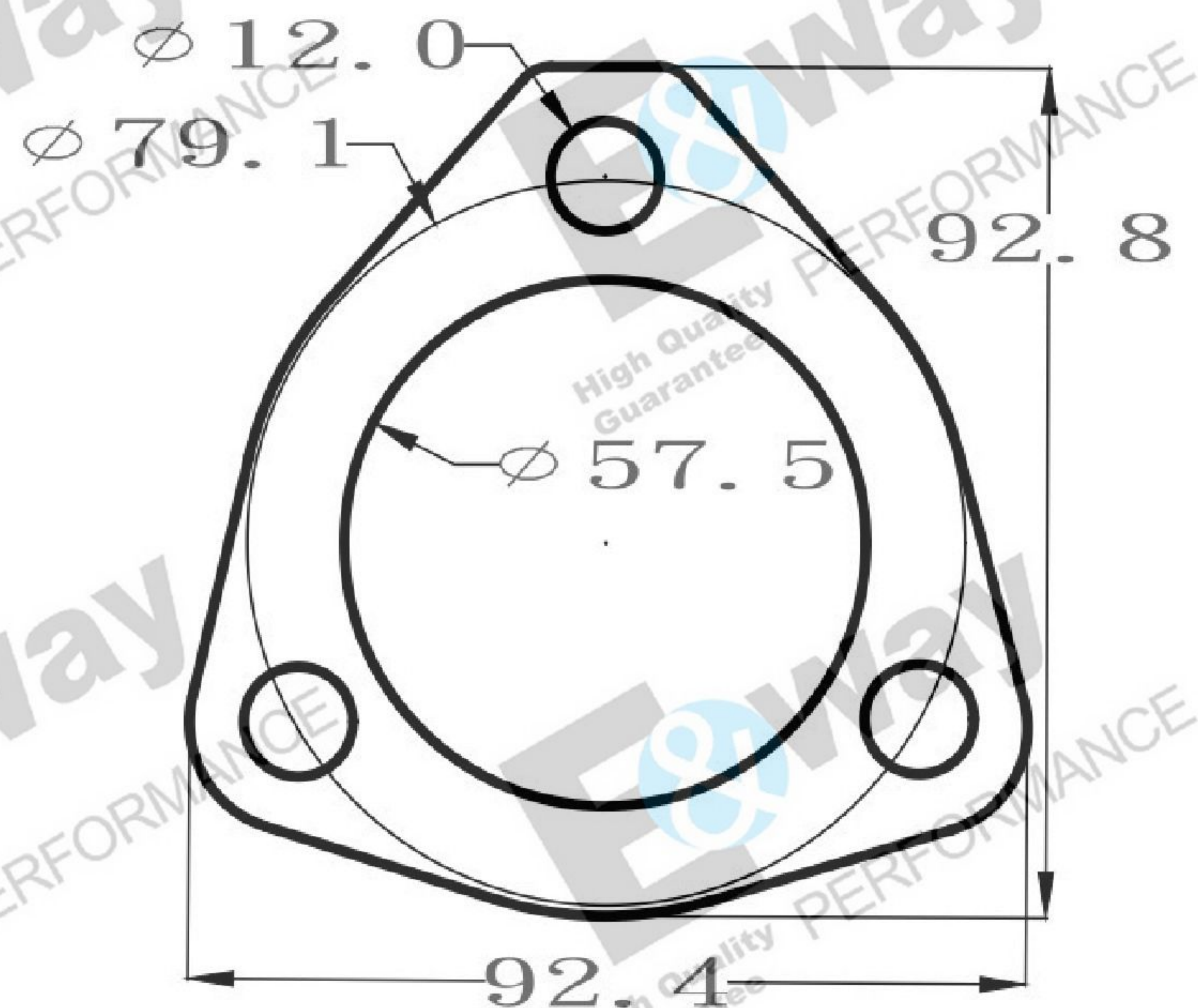
Inside Diameter (ID) = 54.2/mm (2.13")
 Bolt Circle = 78.7/mm (3.10")
 Bolt Hole = 12/mm (0.47")
 Thickness = 1.6~2.0/mm (0.06"~0.08")
 Material: Steel (Mixed Asbestos Free)

EP3-064



Inside Diameter (ID) = 64.5/mm (2.53")
 Bolt Circle = 91.7/mm (3.61")
 Bolt Hole = 11.3/mm (0.44")
 Thickness = 1.6~2.0/mm (0.06"~0.08")
 Material: Steel (Mixed Asbestos Free)

EP3-065

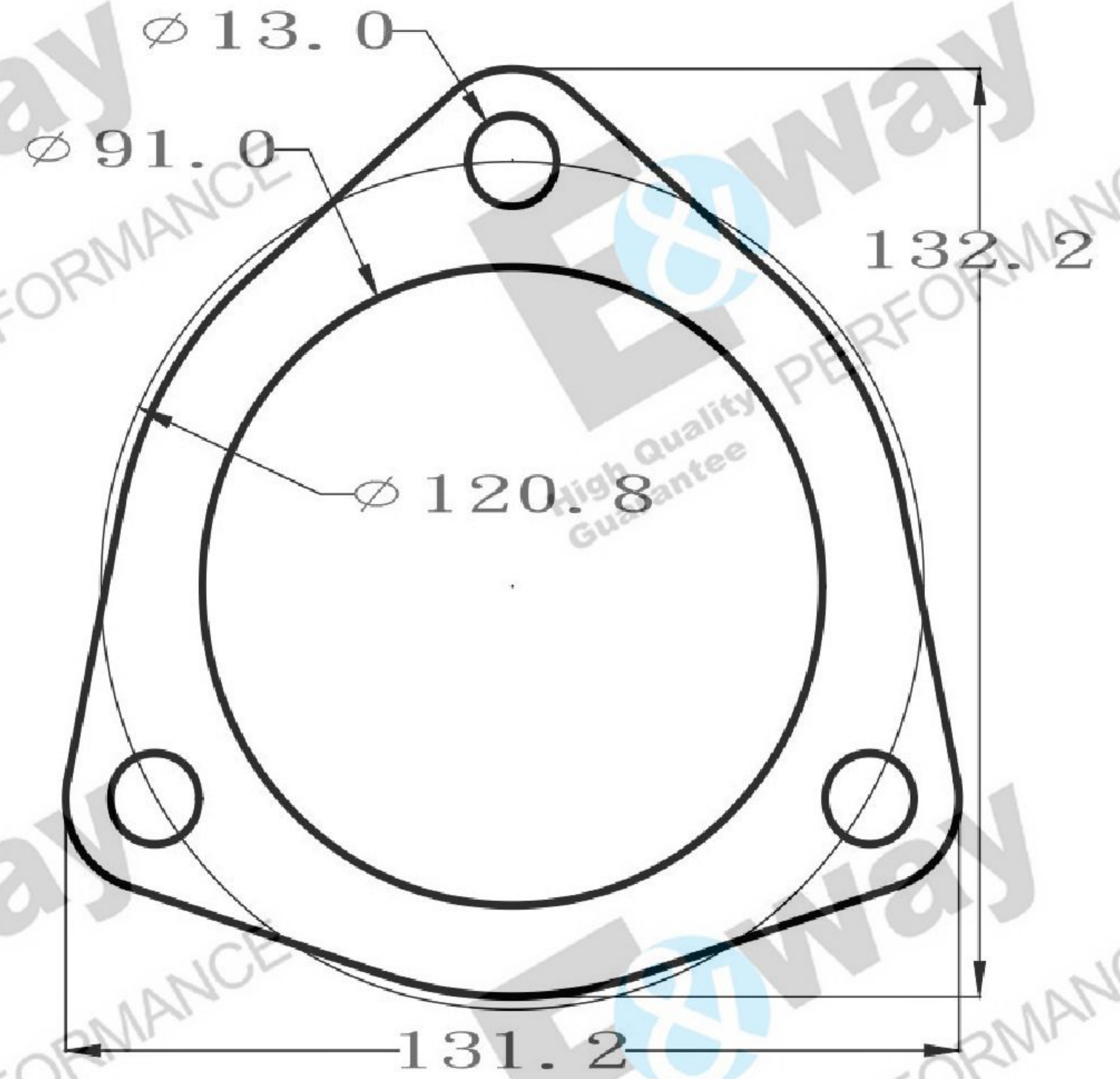


Inside Diameter (ID) = 57.5/mm (2.26")
 Bolt Circle = 79.1/mm (3.11")
 Bolt Hole = 12/mm (0.47")
 Thickness = 1.6~2.0/mm (0.06"~0.08")
 Material: Steel (Mixed Asbestos Free)

EP3-066

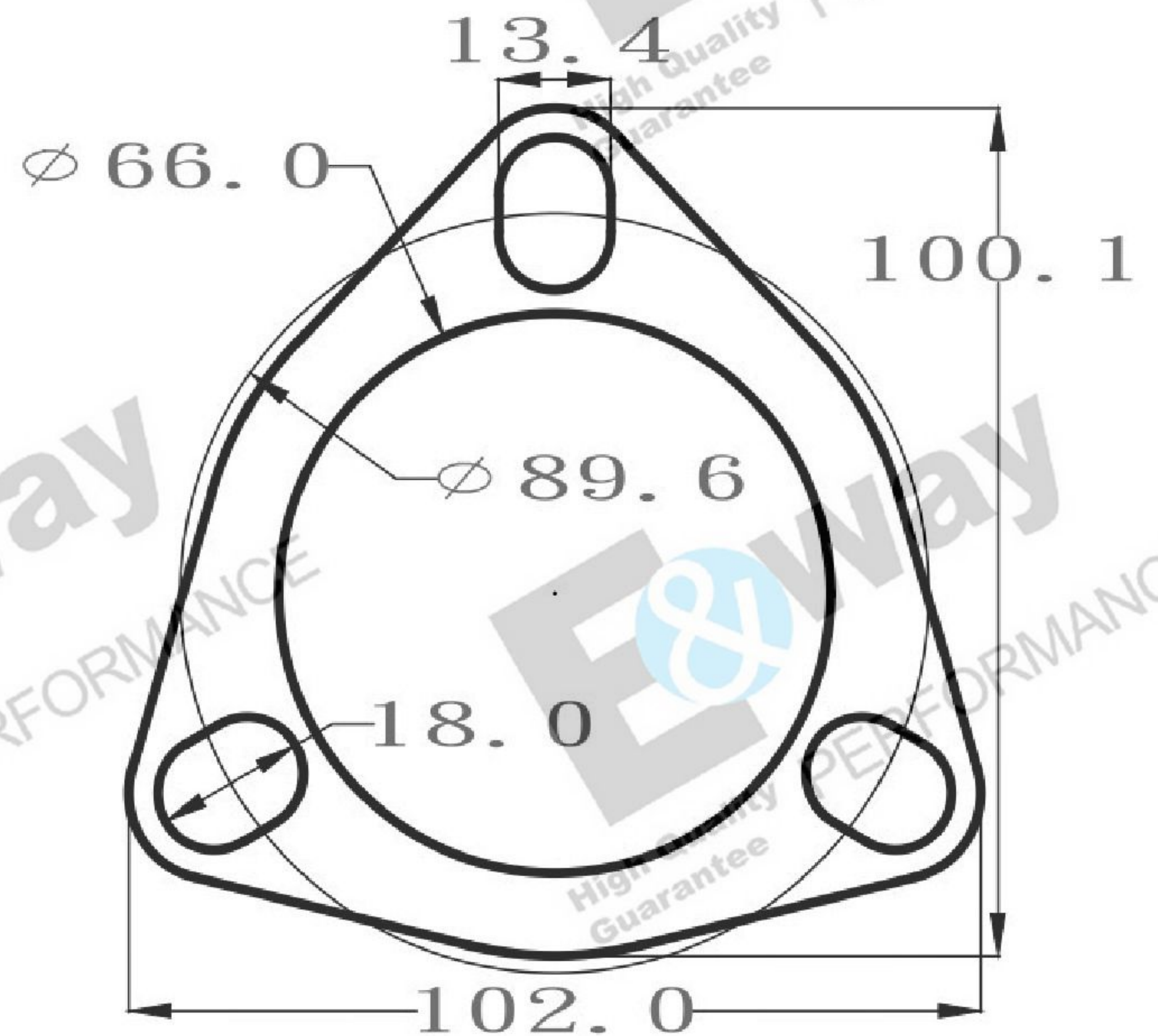
3-Bolt Exhaust Flange/Muffler/Pipe Gasket P23

P23



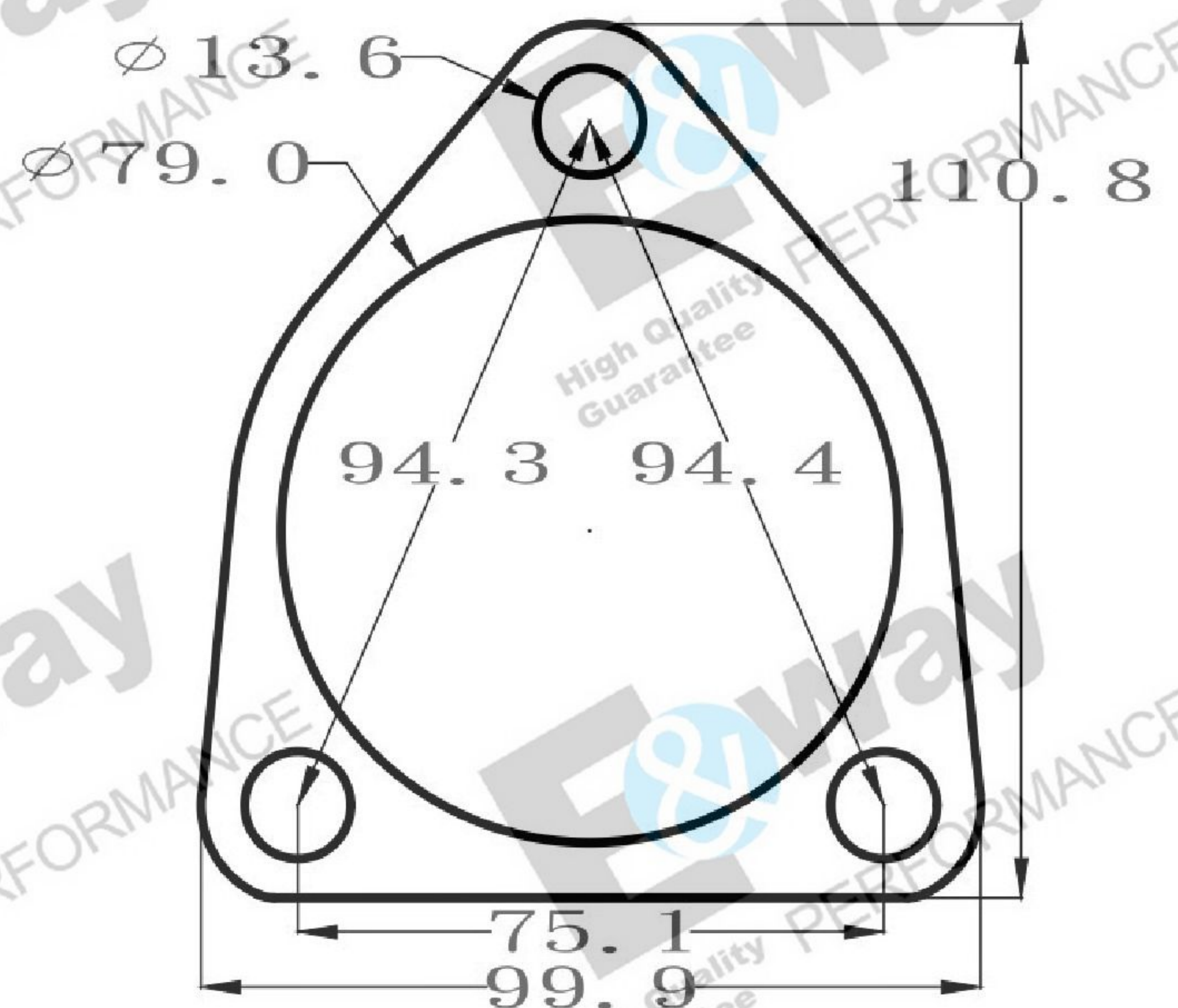
Inside Diameter(ID)=91/mm(3.58")
 Bolt Circle=120.8/mm(4.76")
 Bolt Hole=13/mm(0.51")
 Thickness=1.5/mm(0.06")
 Material:Steel(3-Layer)

EP3-067



Inside Diameter(ID)=66/mm(2.60")
 Bolt Circle=89.6/mm(3.52")
 Bolt Hole=13.4/mm(0.52")
 Thickness=1.6~2.0/mm(0.06"~0.08")
 Material:Graphite(Mixed Steel)

EP3-068

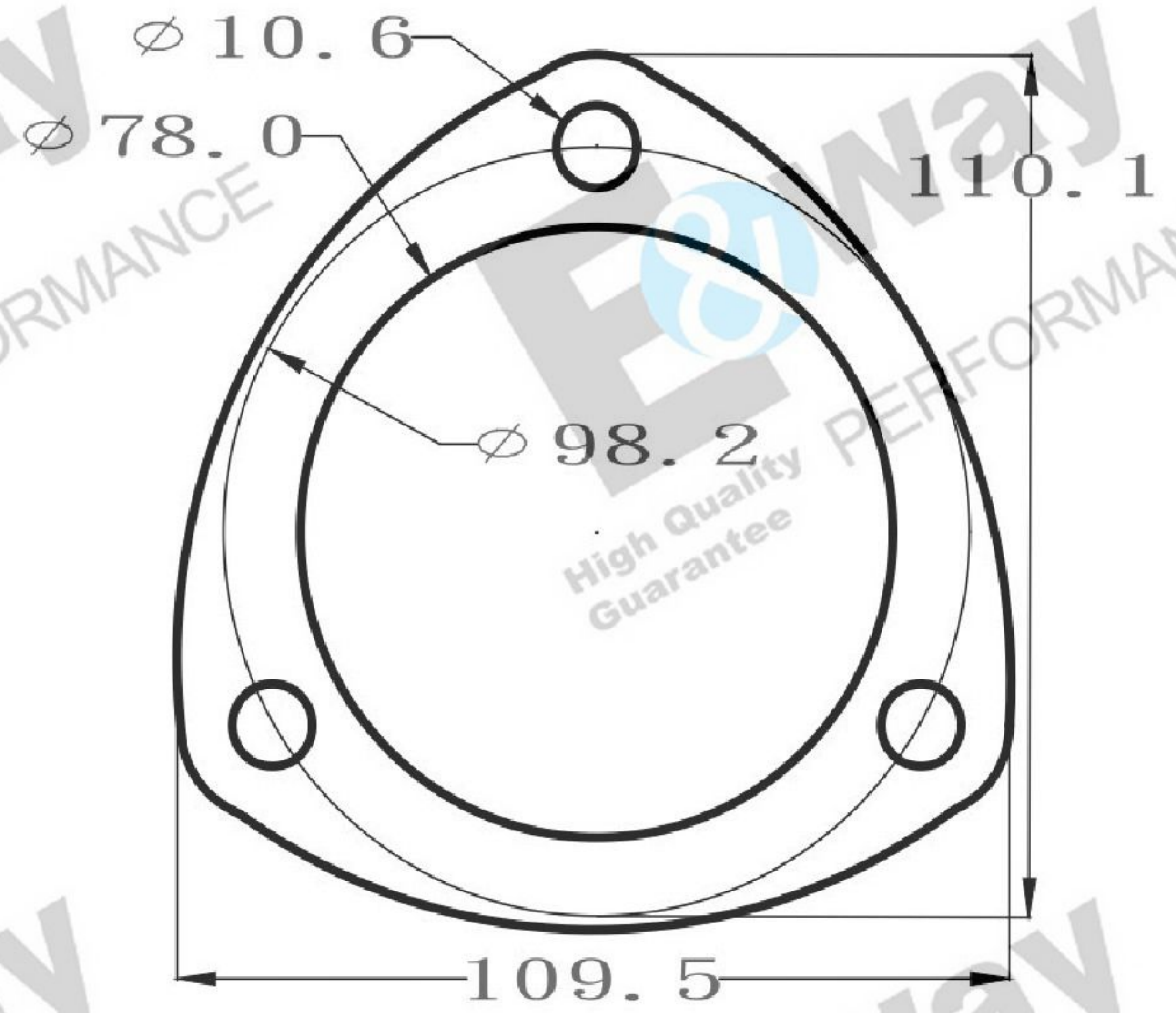


Inside Diameter(ID)=79/mm(3.11")
 Bolt To Bolt=75.1/mm(2.96")94.3/mm(3.71")
 Bolt Hole=13.6/mm(0.53")
 Thickness=1.6~2.0/mm(0.06"~0.08")
 Material:Graphite(Mixed Steel)

EP3-069

3-Bolt Exhaust Flange/Muffler/Pipe Gasket P24

P24



Inside Diameter(ID)=78/mm(3.07")

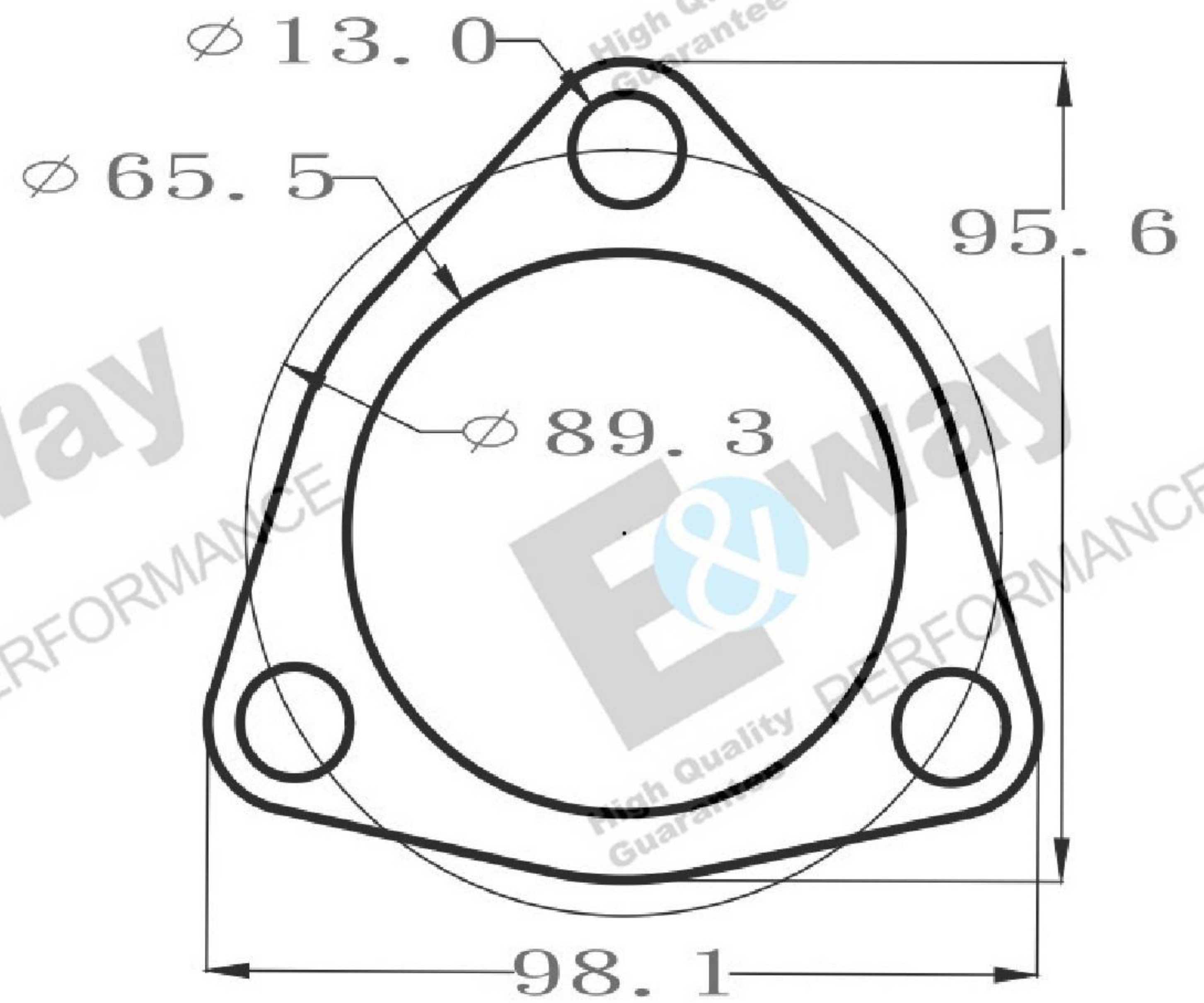
Bolt Circle=98.2/mm(3.86")

Bolt Hole=10.6/mm(0.42")

Thickness=1.6~2.0/mm(0.06"~0.08")

Material:Steel(Mixed Asbestos Free)+Stainless Steel(Hole)

EP3-070



Inside Diameter(ID)=65.5/mm(2.58")

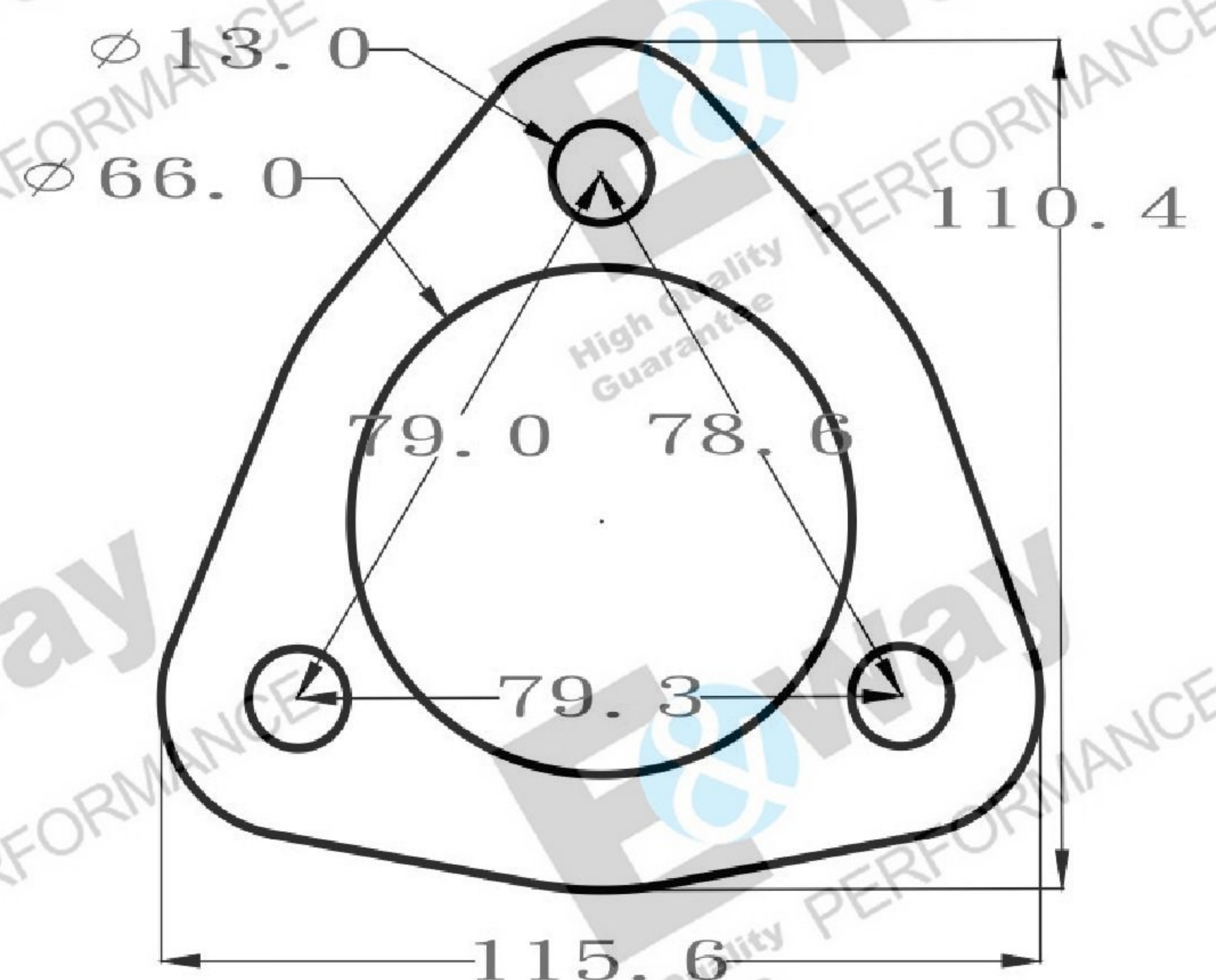
Bolt Circle=89.3/mm(3.52")

Bolt Hole=13/mm(0.51")

Thickness=1.6~2.0/mm(0.06"~0.08")

Material:Graphite(Mixed Steel)

EP3-071



Inside Diameter(ID)=66/mm(2.60")

Bolt To Bolt=79.3/mm(3.12")78.6/mm(3.09")

Bolt Hole=13/mm(0.51")

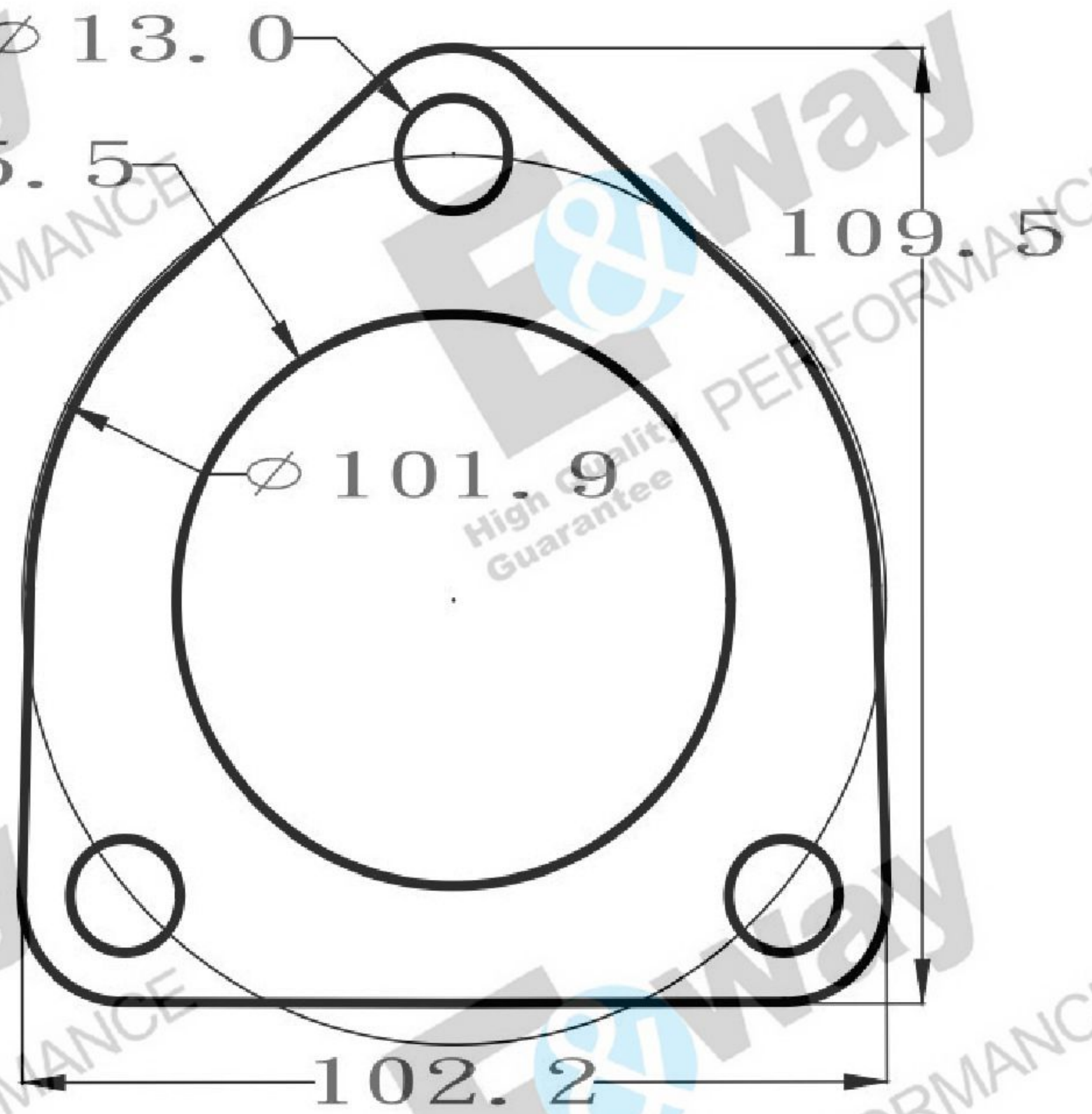
Thickness=1.6~2.0/mm(0.06"~0.08")

Material:Graphite(Mixed Steel)

EP3-072

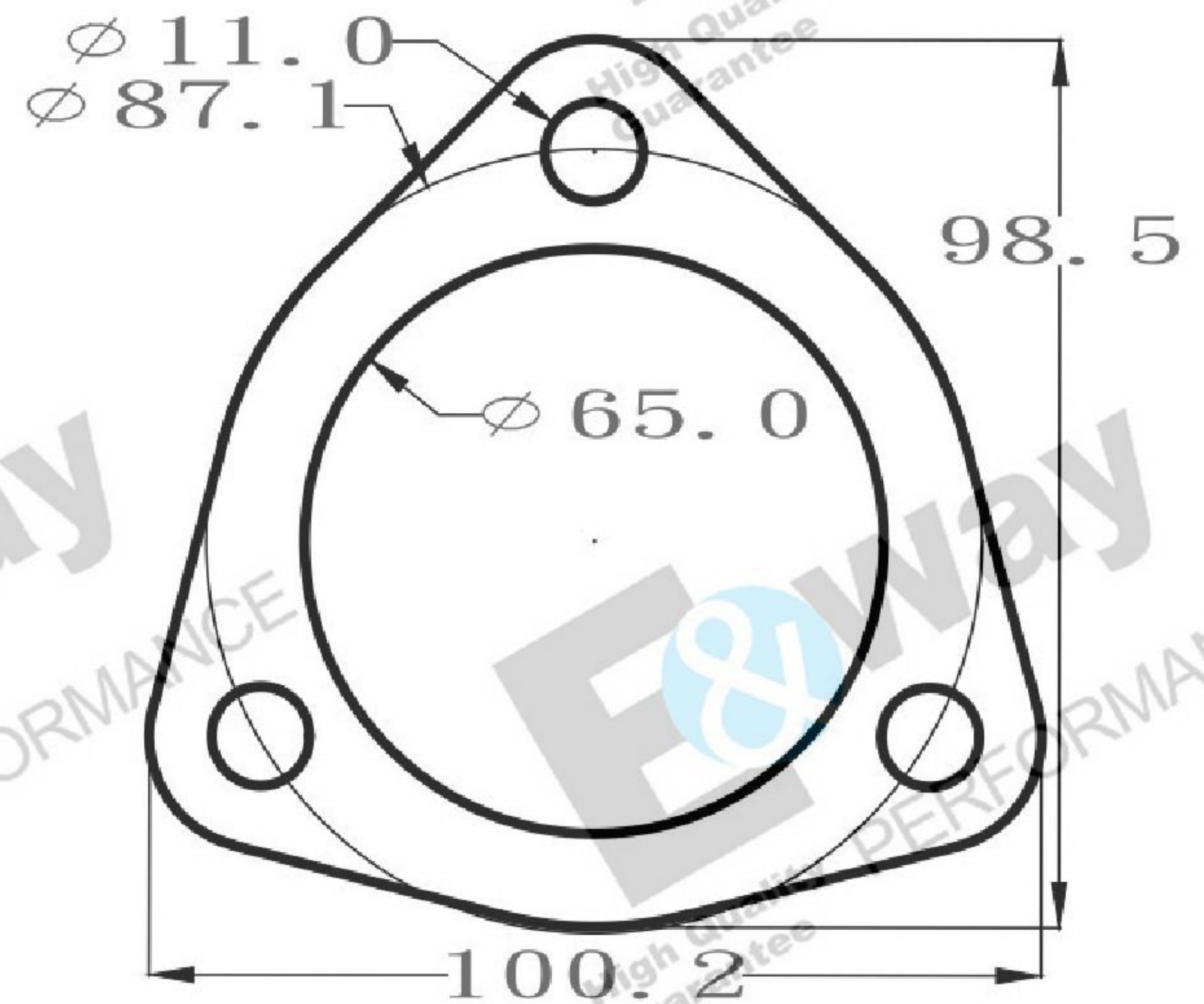
3-Bolt Exhaust Flange/Muffler/Pipe Gasket P25

P25



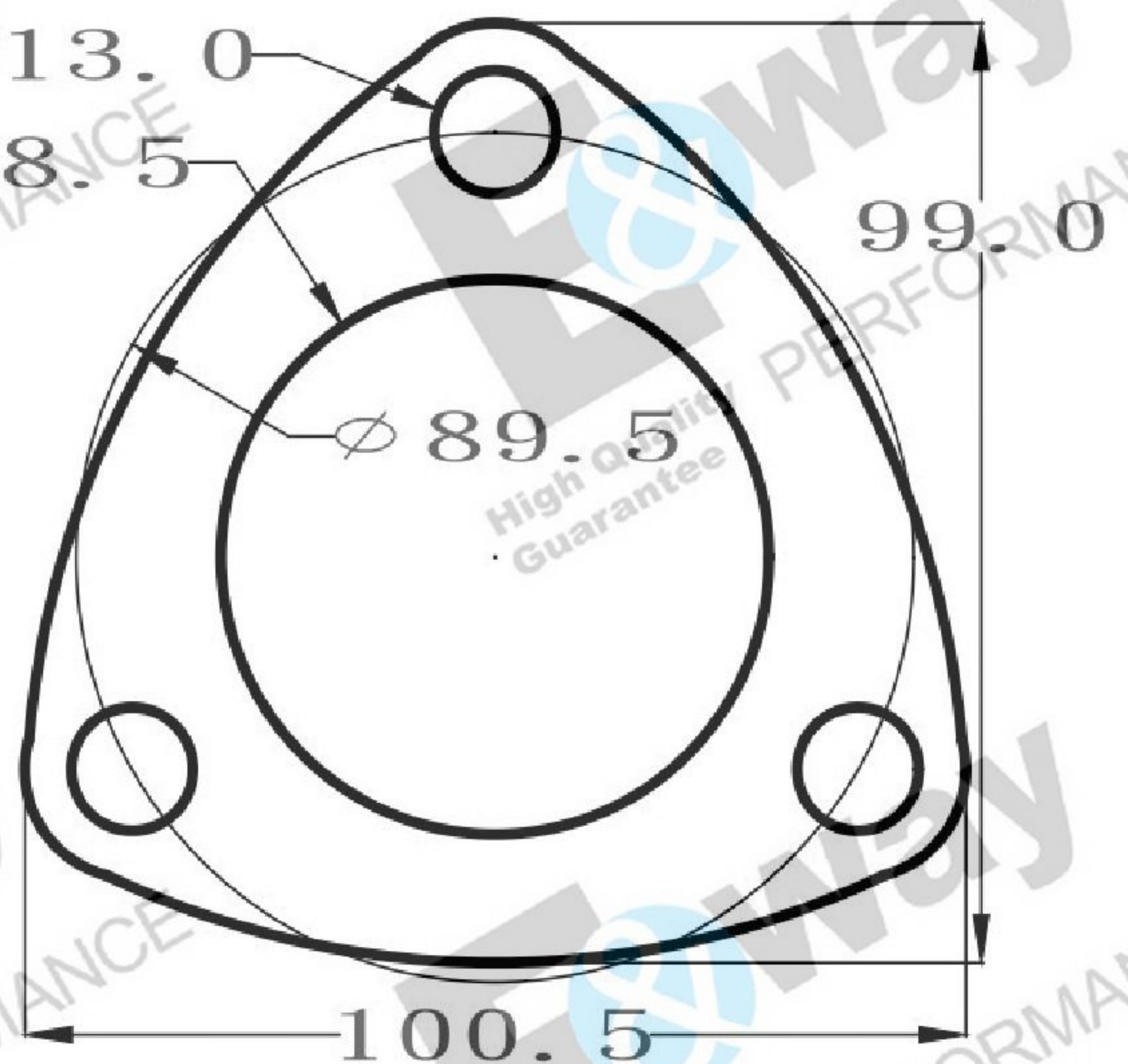
Inside Diameter(ID)=65.5/mm(2.58")
 Bolt Circle=101.9/mm(4.01")
 Bolt Hole=13/mm(0.51")
 Thickness=1.6~2.0/mm(0.06"~0.08")
 Material:Graphite(Mixed Steel)

EP3-073



Inside Diameter(ID)=65/mm(2.56")
 Bolt Circle=87.1mm(3.43")
 Bolt Hole=11/mm(0.43")
 Thickness=1.6~2.0/mm(0.06"~0.08")
 Material:Steel(Mixed Asbestos Free)+Stainless Steel(Hole)

EP3-074

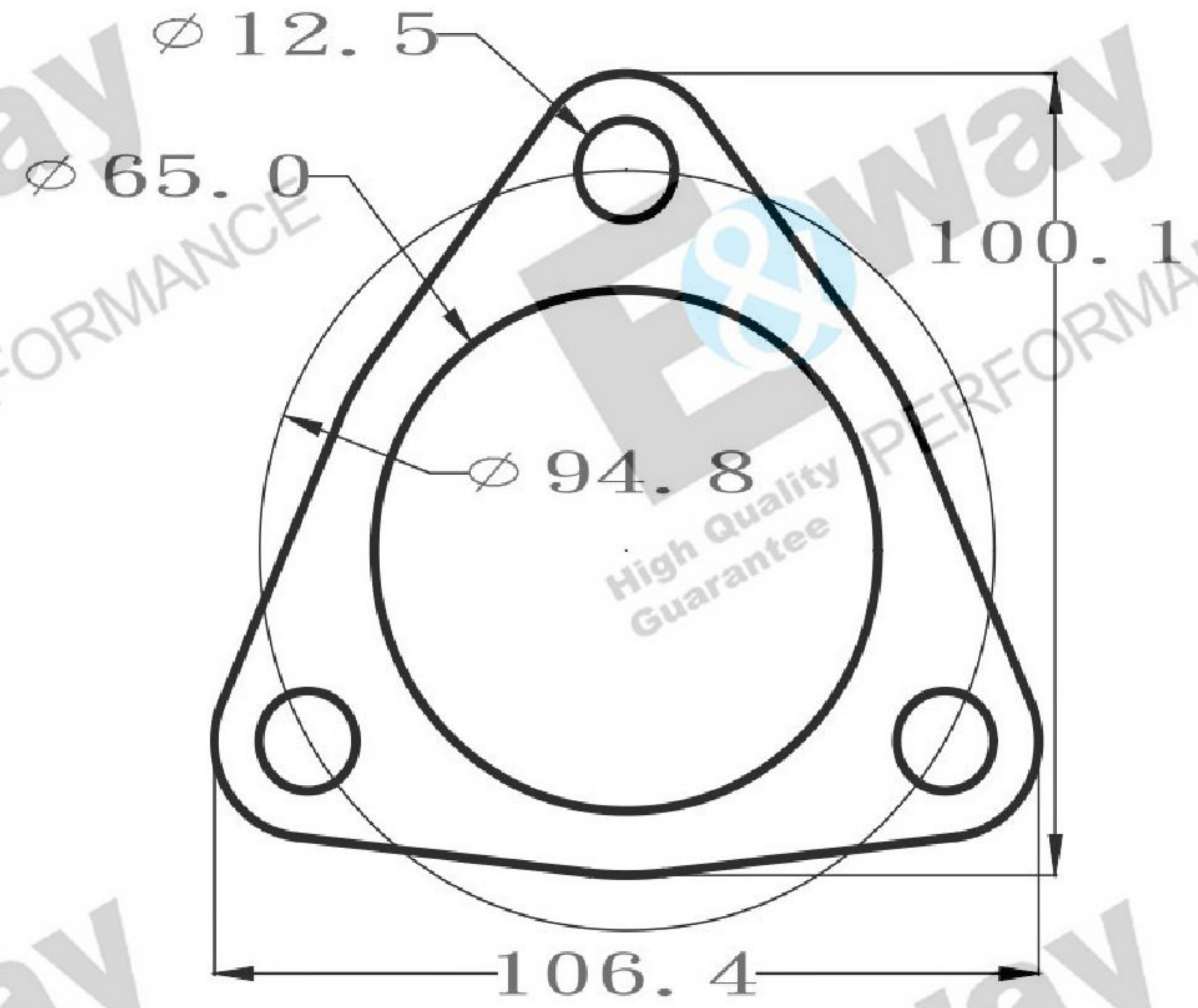


Inside Diameter(ID)=58.5/mm(2.30")
 Bolt Circle=89.5/mm(3.52")
 Bolt Hole=13/mm(0.51")
 Thickness=1.6~2.0/mm(0.06"~0.08")
 Material:Steel(Mixed Asbestos Free)+Stainless Steel(Hole)

EP3-075

3-Bolt Exhaust Flange/Muffler/Pipe Gasket P26

P26



Inside Diameter(ID)=65/mm(2.55")

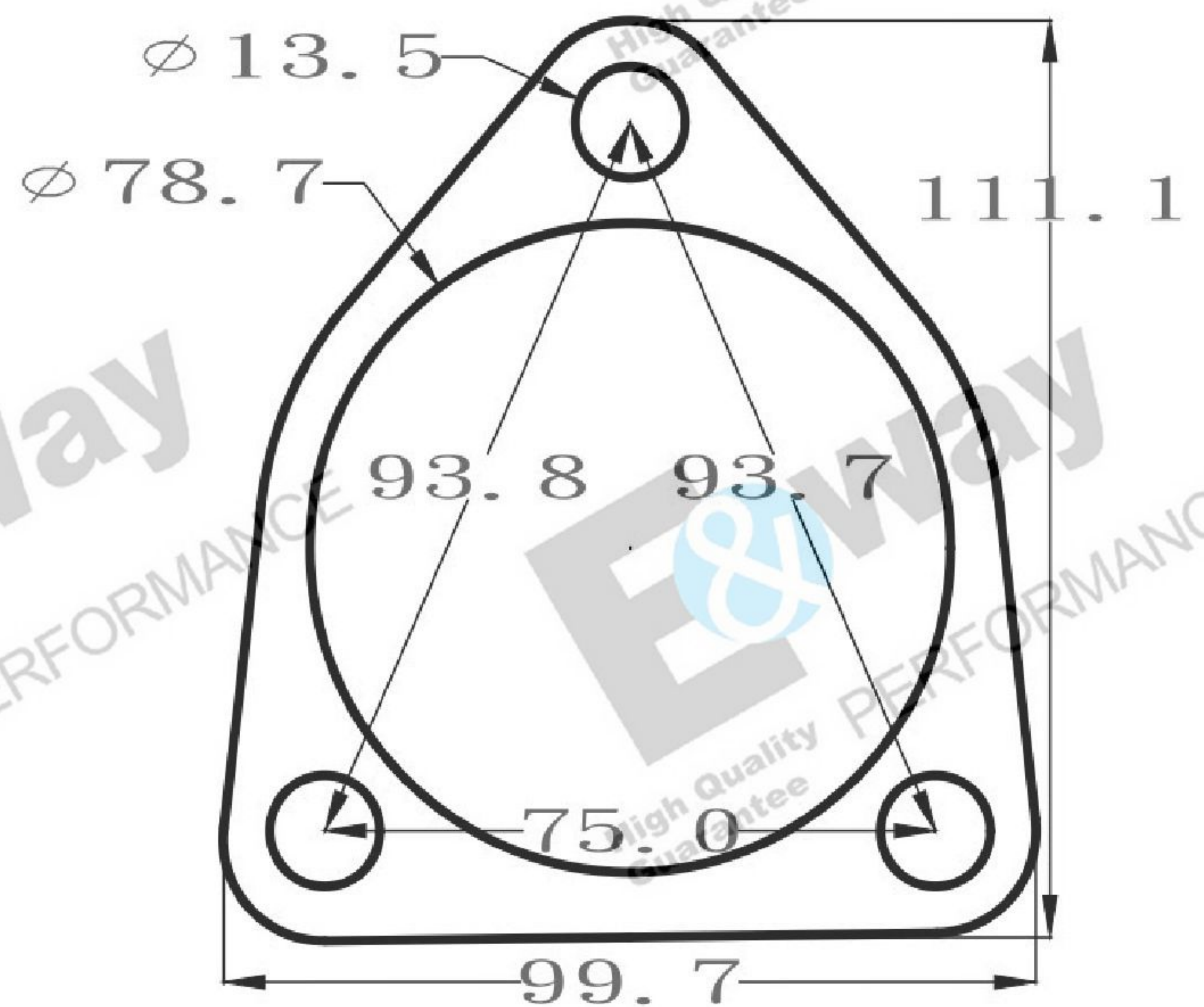
Bolt Circle=94.8/mm(3.73")

Bolt Hole=12.5/mm(0.49")

Thickness=1.6~2.0/mm(0.06"~0.08")

Material:Steel(Mixed Asbestos Free)+Stainless Steel(Hole)

EP3-076



Inside Diameter(ID)=78.7/mm(3.10")

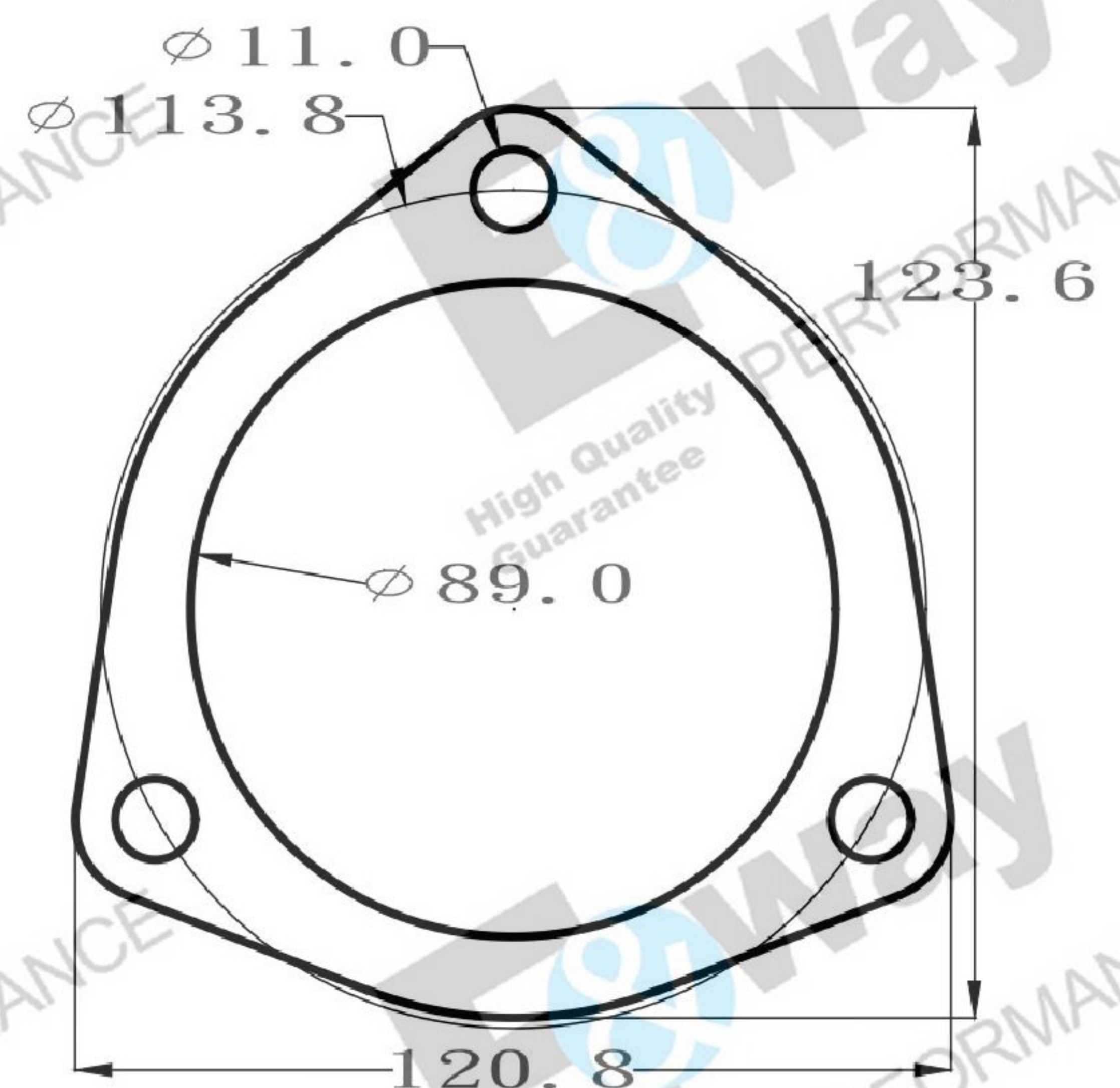
Bolt To Bolt=75/mm(2.96") 93.8/mm(3.70")

Bolt Hole=13.5/mm(0.53")

Thickness=1.6~2.0/mm(0.06"~0.08")

Material:Graphite(Mixed Steel)

EP3-077



Inside Diameter(ID)=89/mm(3.50")

Bolt Circle=113.8/mm(4.48")

Bolt Hole=11/mm(0.43")

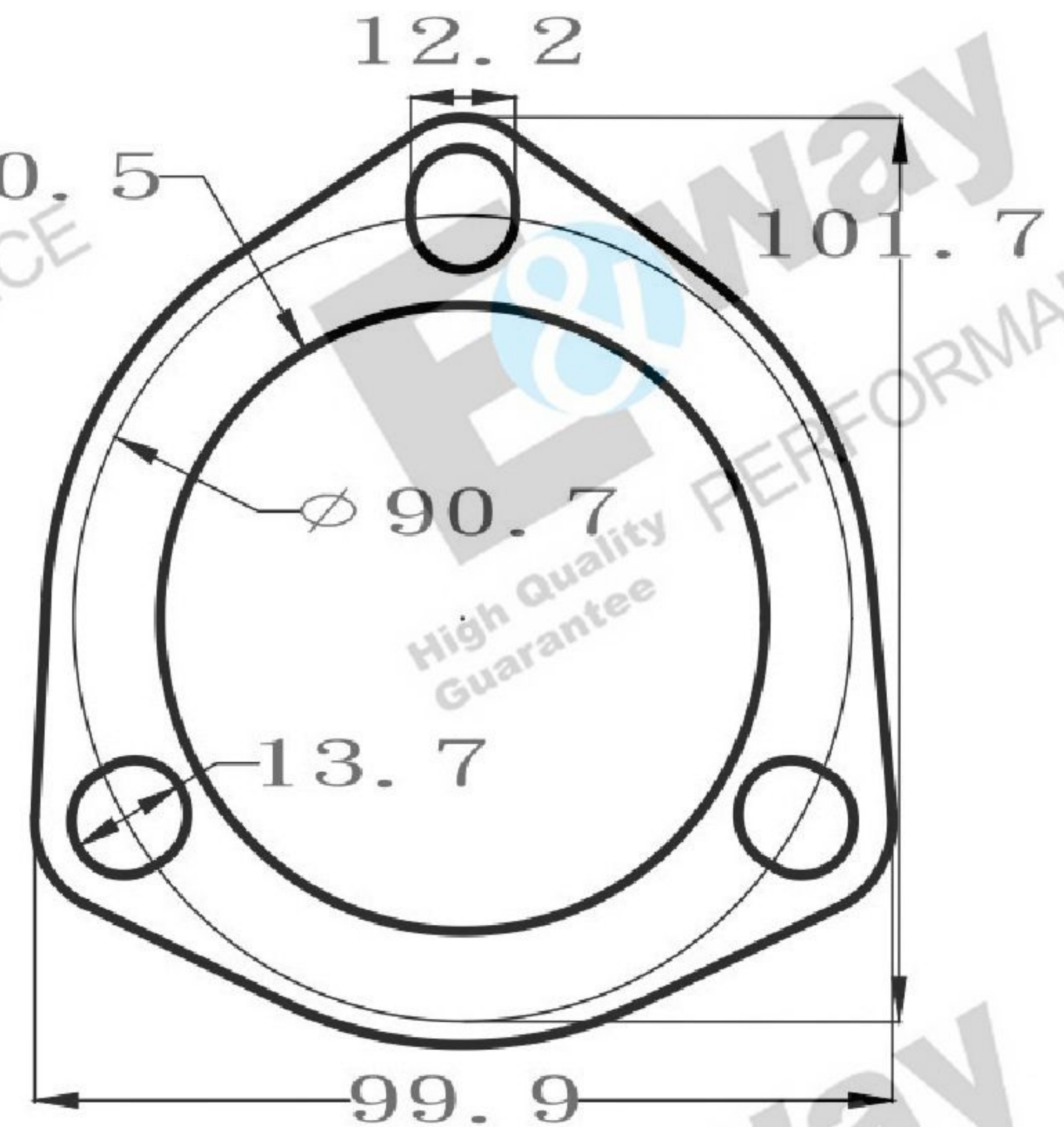
Thickness=1.6~2.0/mm(0.06"~0.08")

Material:Steel(Mixed Asbestos Free)+Stainless Steel(Hole)

EP3-078

3-Bolt Exhaust Flange/Muffler/Pipe Gasket P27

P27



Inside Diameter(ID)=70.5/mm(2.78")

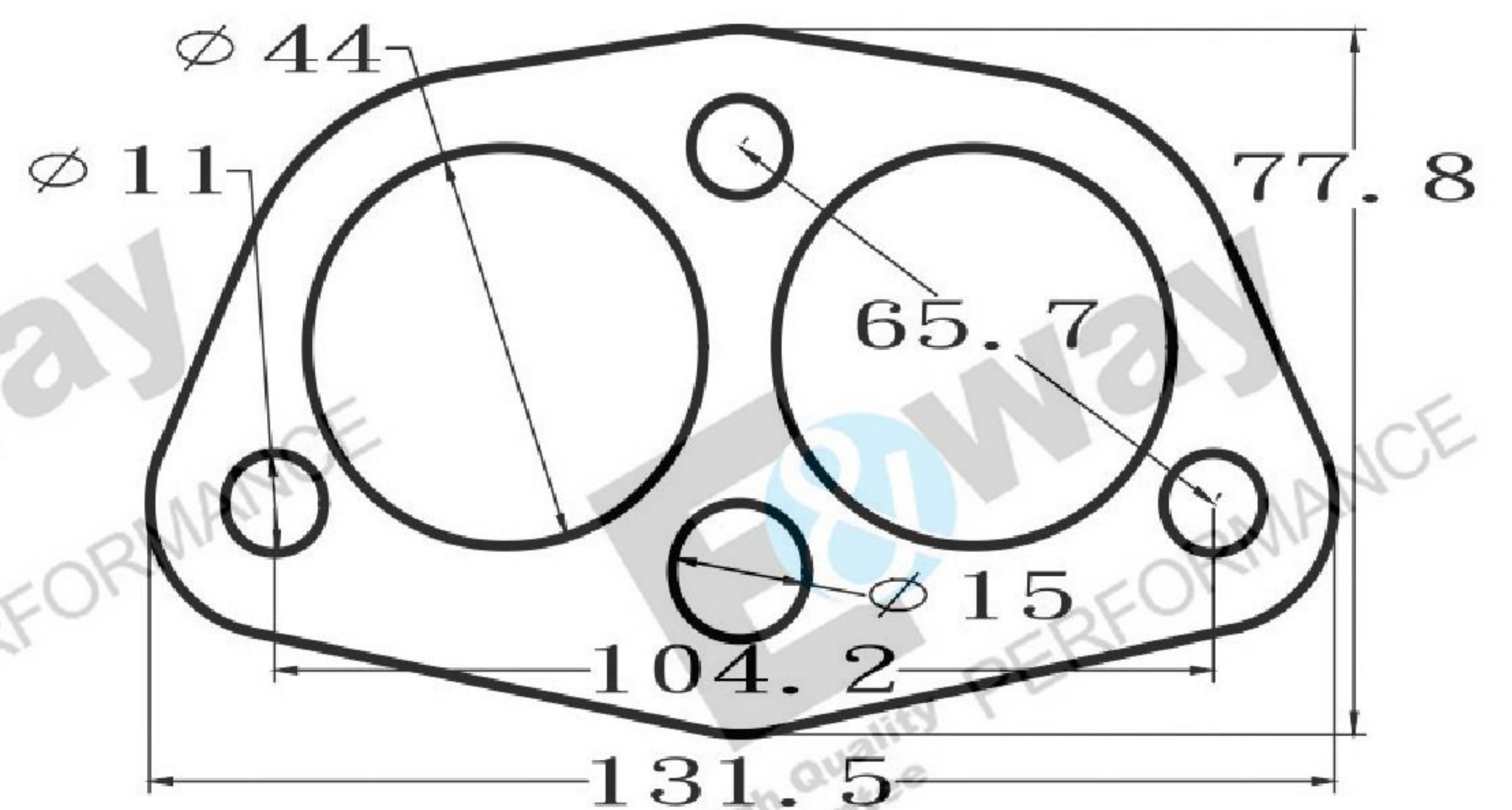
Bolt Circle=90.7/mm(3.57")

Bolt Hole=12.2/mm(0.48")

Thickness=1.6~2.0/mm(0.06"~0.08")

Material:Steel(Mixed Asbestos Free)+Stainless Steel(Hole)

EP3-079



Inside Diameter(ID)=44/mm(1.73")

Bolt to Bolt=65.7/mm(2.59")104.2/mm(4.10")

Bolt Hole=11/mm(0.43")

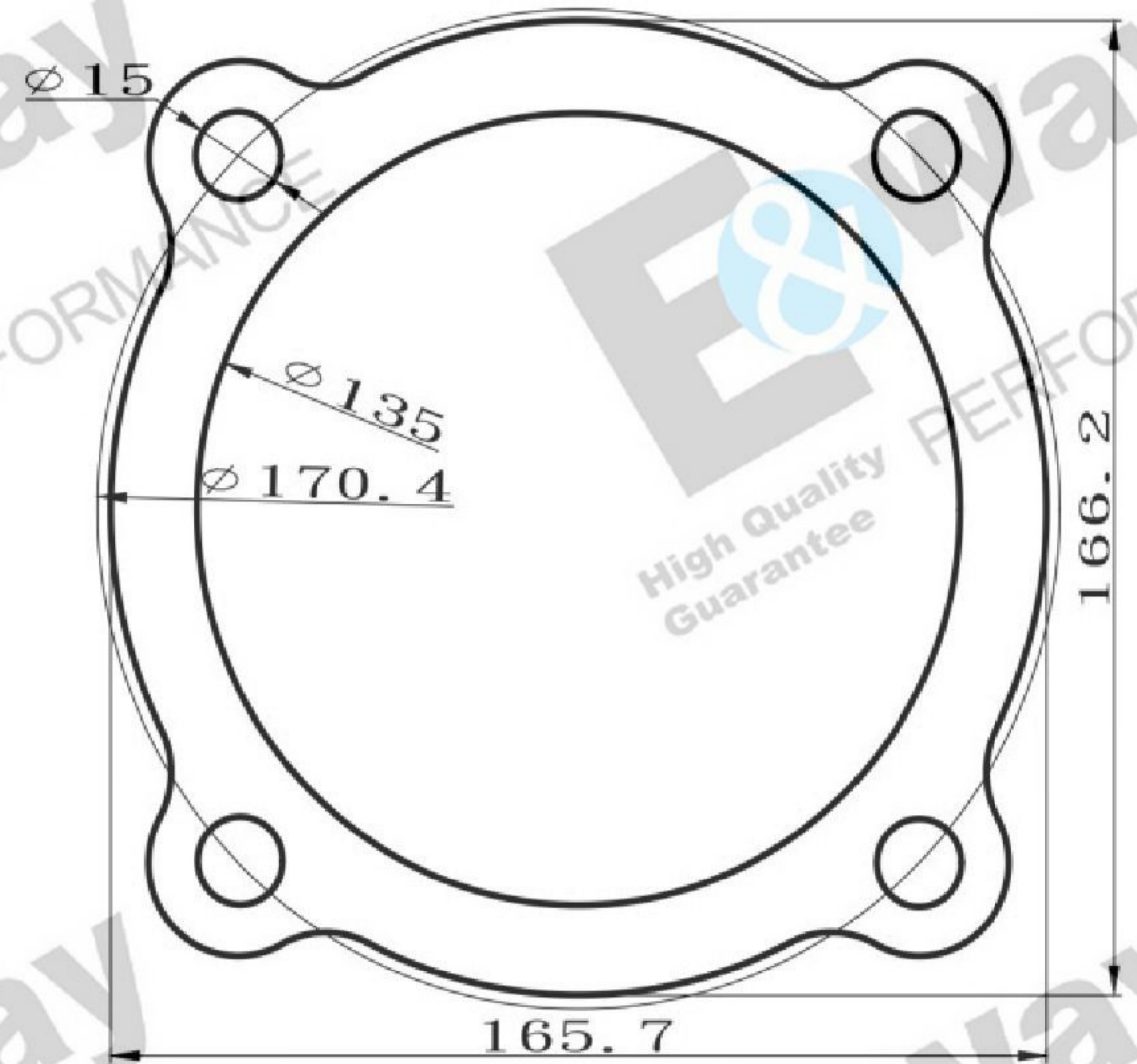
Thickness=1.6~2.0/mm(0.06"~0.08")

Material:Steel(Mixed Asbestos Free)

EP3-080

4-Bolt Exhaust Flange/Muffler/Pipe Gasket P1

P1



Inside Diameter(ID)=135/mm(5.31")

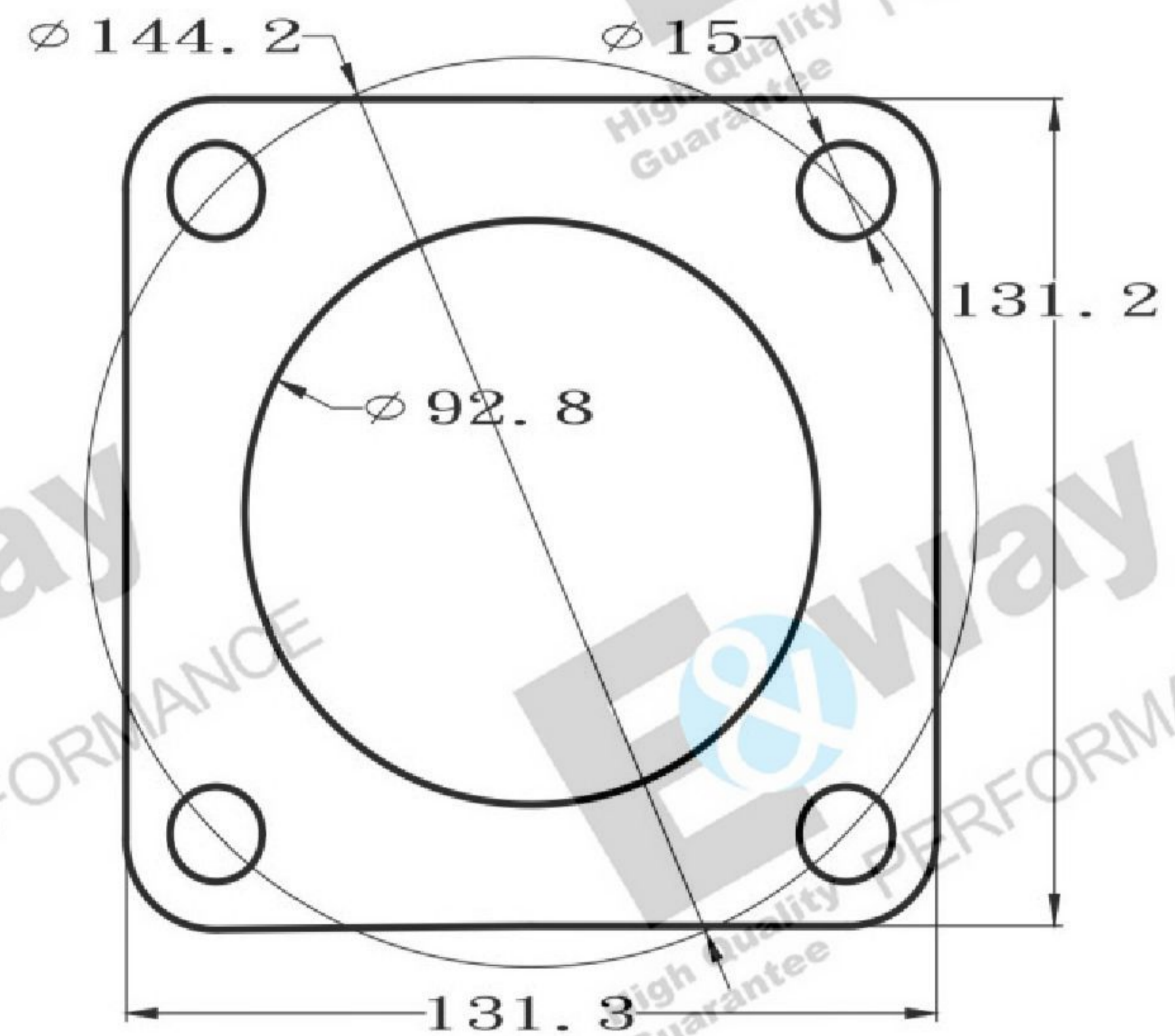
Bolt Circle=170.4/mm(6.7")

Bolt Hole=15/mm(0.59")

Thickness=1.6~2.0/mm(0.06"~0.08")

Material:Graphite(Mixed Steel)+Copper+Steel(MoS2 Coated)

EP4-001



Inside Diameter(ID)=92.8/mm(3.65")

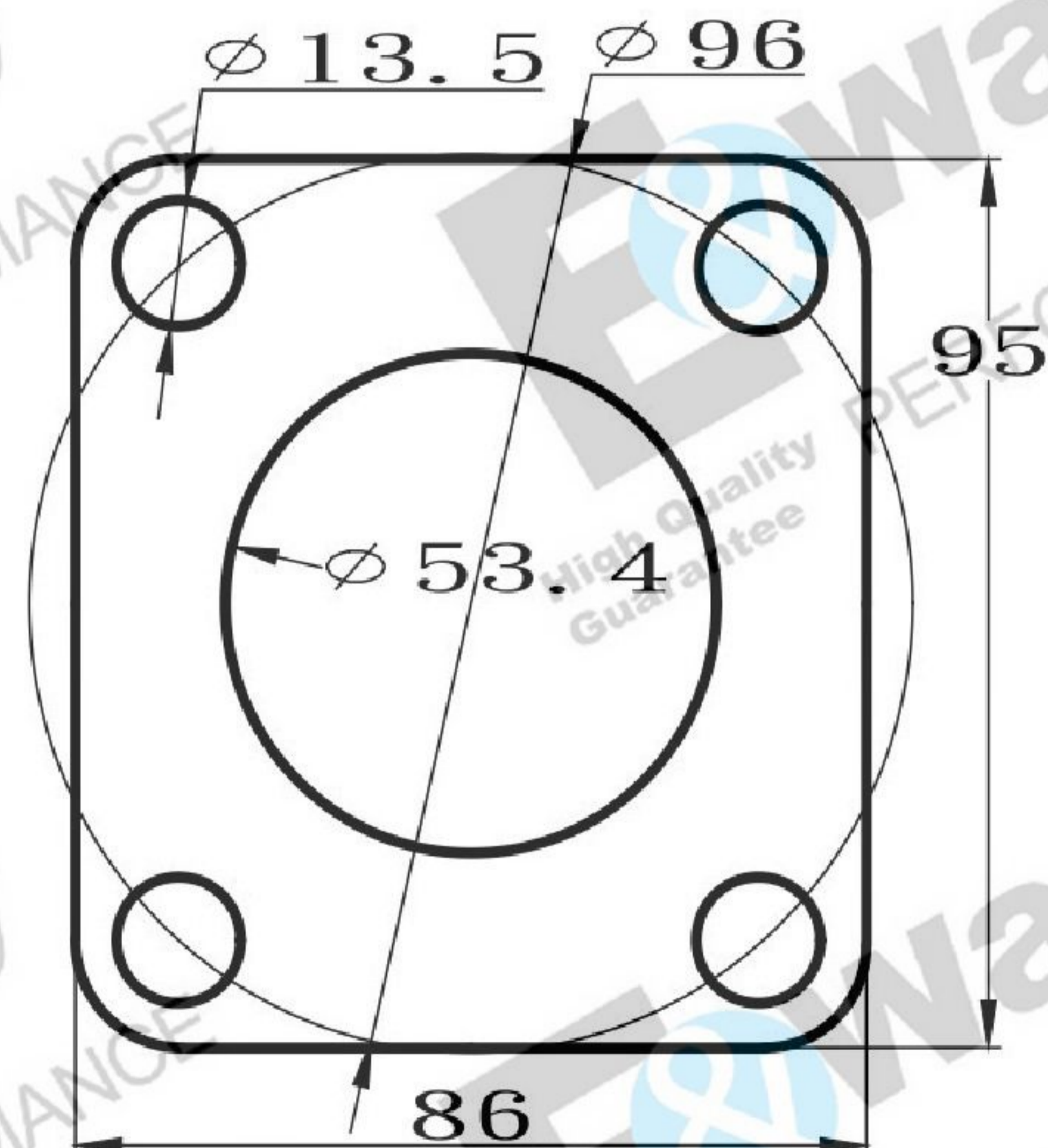
Bolt Circle=144.2/mm(5.67")

Bolt Hole=15/mm(0.59")

Thickness=1.6~2.0/mm(0.06"~0.08")

Material:Graphite(Mixed Steel)+Stainless Steel(Hole)+Copper+Steel(MoS2 Coated)

EP4-002



Inside Diameter(ID)=53.4/mm(2.1")

Bolt Circle=96/mm(3.77")

Bolt Hole=13.5/mm(0.43")

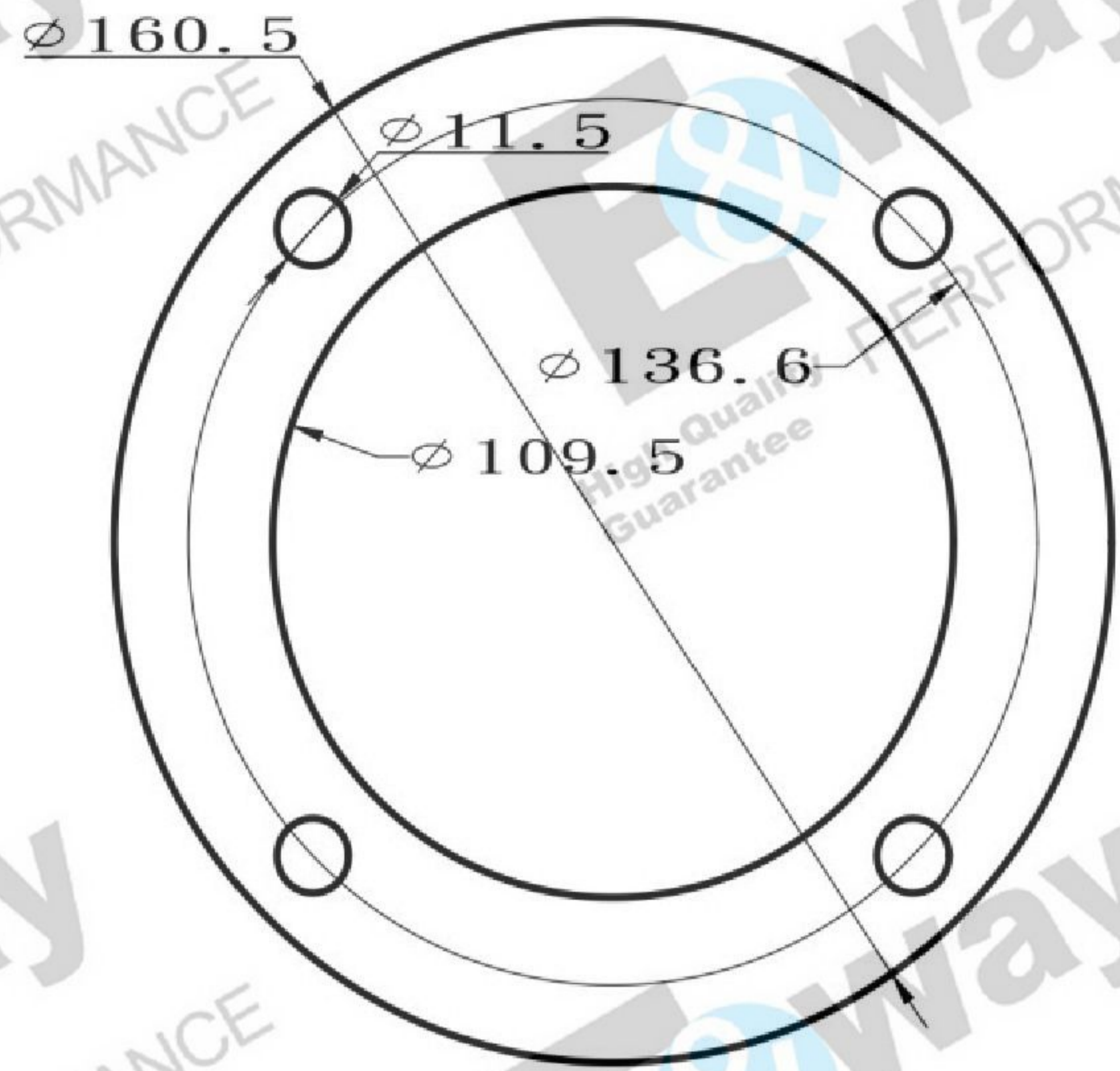
Thickness=1.6~2.0/mm(0.06"~0.08")

Material:Steel(Mixed Asbestos Free)+Stainless Steel(Hole)

EP4-003

4-Bolt Exhaust Flange/Muffler/Pipe Gasket P2

P2



Inside Diameter(ID)=109.5/mm(4.31")

Outside Diameter(OD)=160.5/mm(6.32")

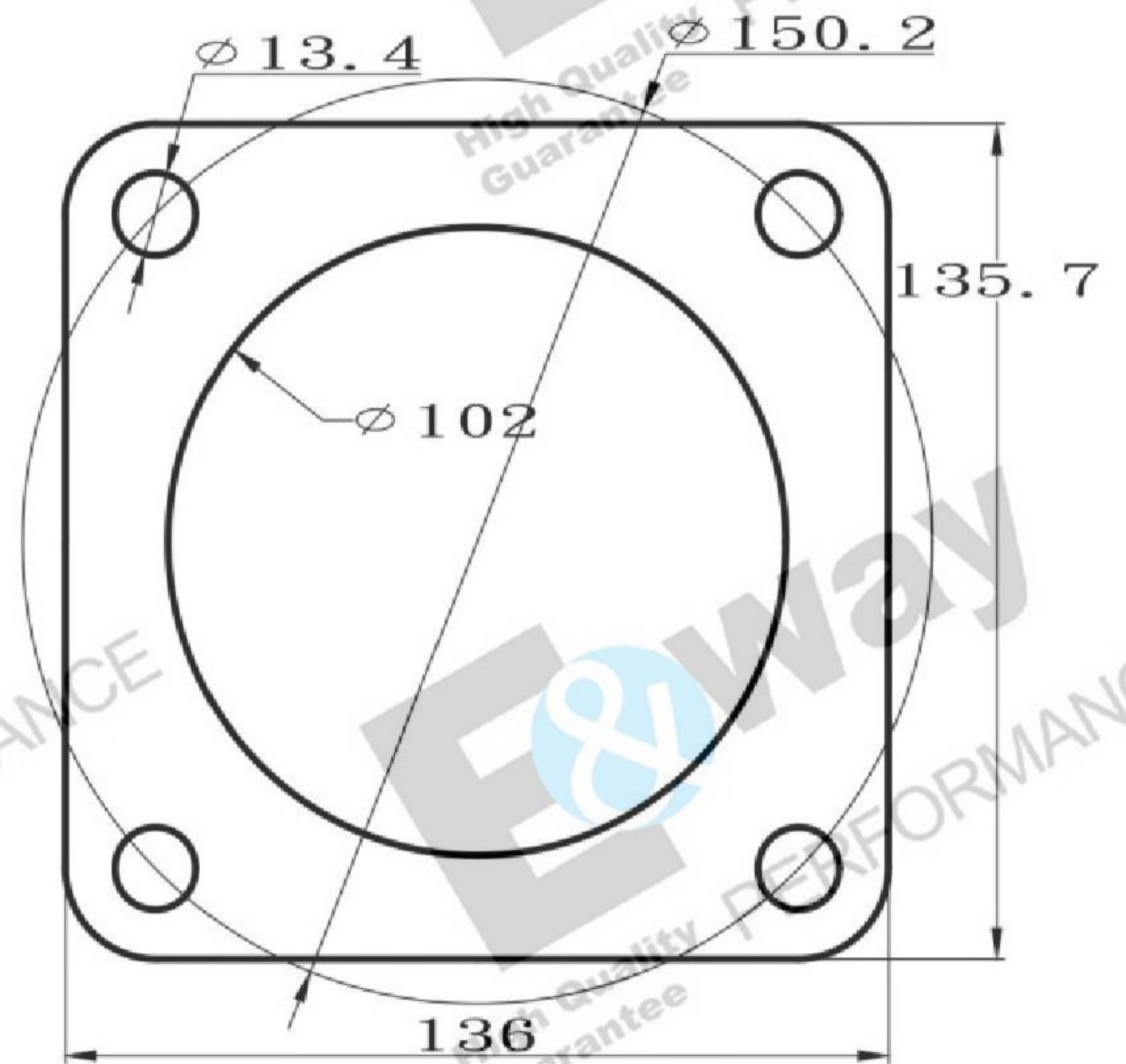
Bolt Circle=136.6/mm(5.37")

Bolt Hole=11.5/mm(0.45")

Thickness=2.4~2.6/mm(0.09"~0.10")

Material:Steel(Mixed Asbestos Free)+Steel

EP4-004



Inside Diameter(ID)=102/mm(4.0")

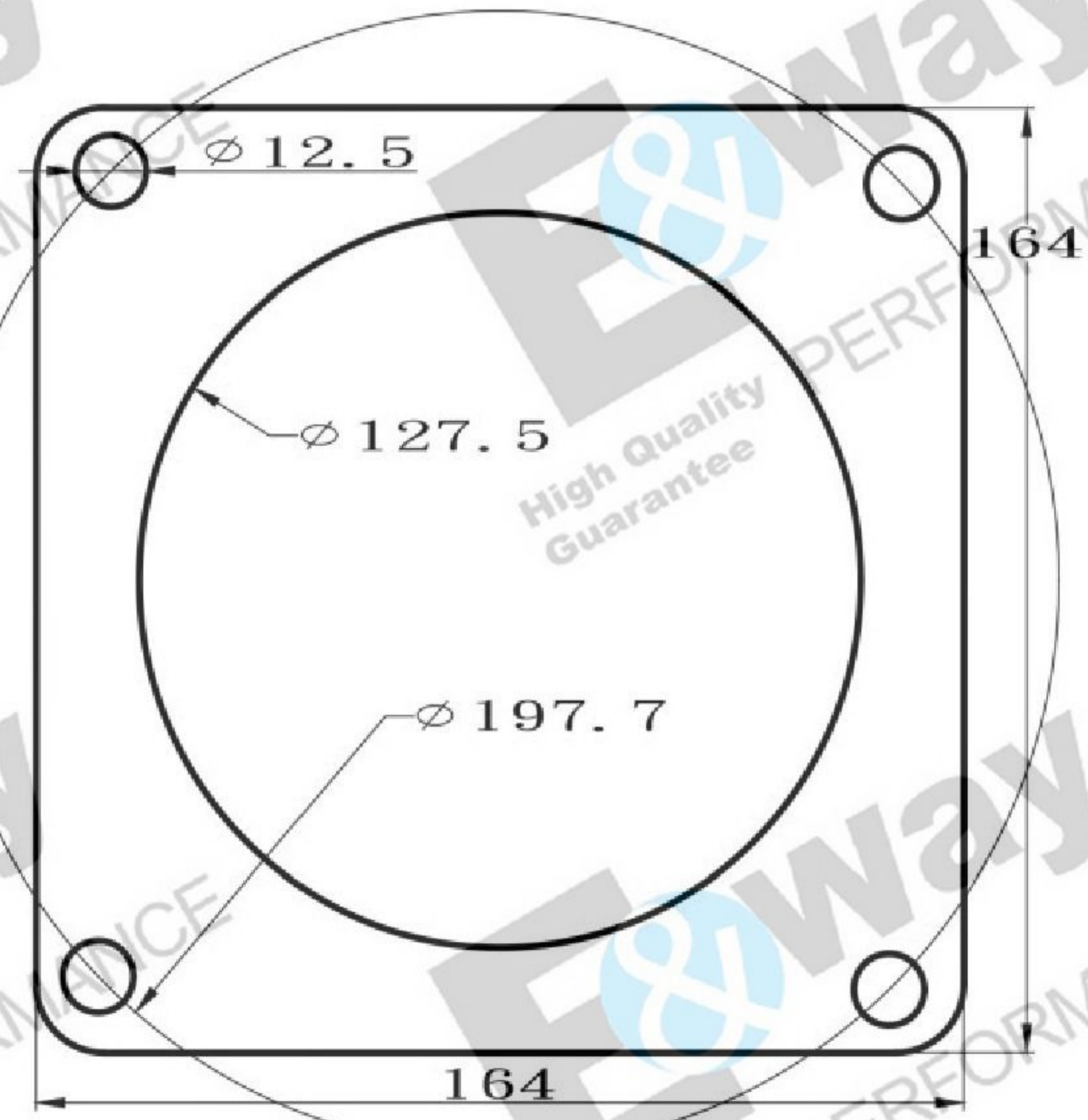
Bolt To Bolt=150.2/mm(5.91")

Bolt Hole=13.4/mm(0.52")

Thickness=1.6~2.0/mm(0.06"~0.08")

Material:Graphite(Mixed Steel)+Stainless Steel(Hole)+Copper+Steel(MoS₂ Coated)

EP4-005



Inside Diameter(ID)=127.5/mm(5.02")

Bolt Circle=197.7/mm(7.78")

Bolt Hole=12.5/mm(0.49")

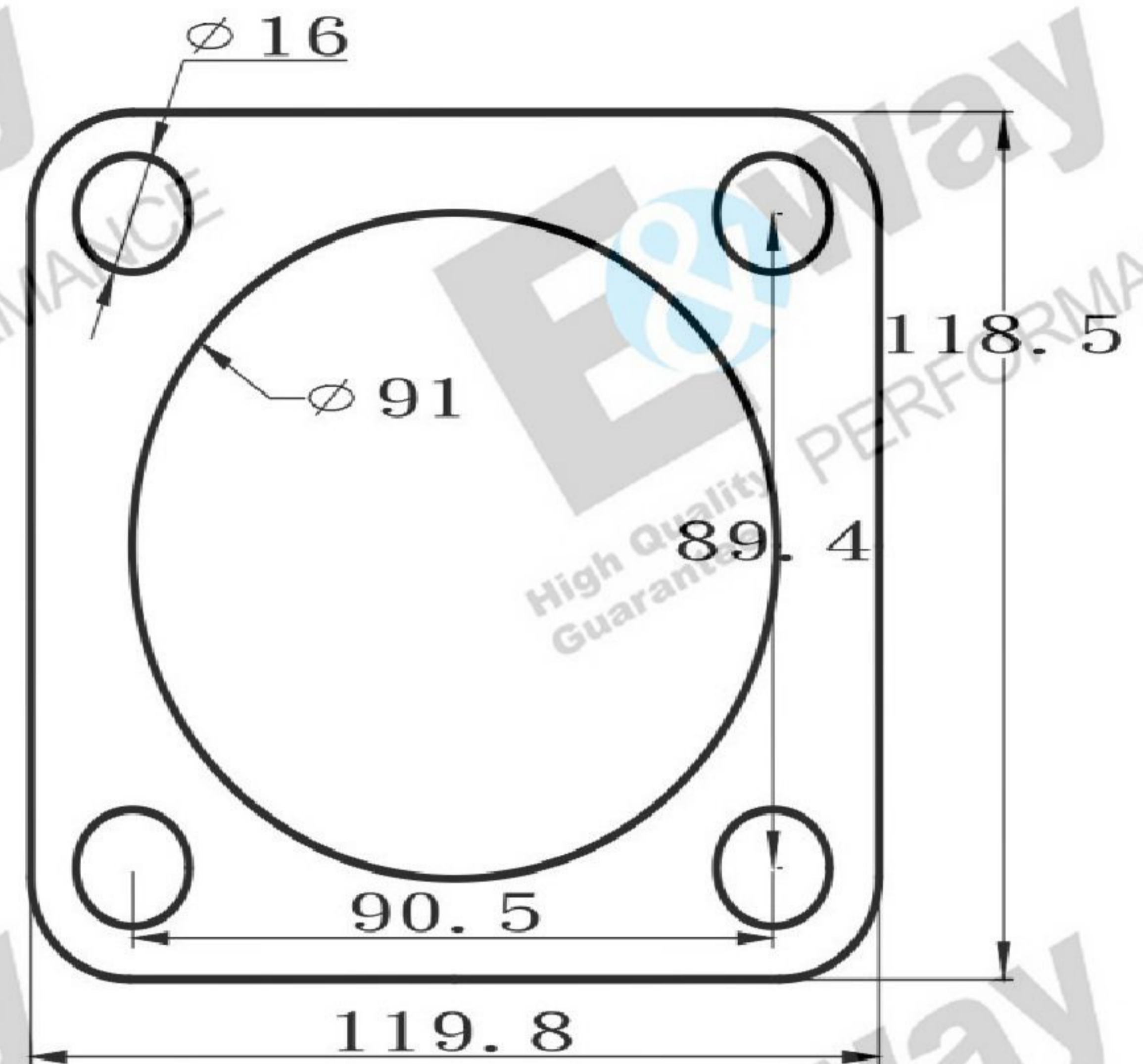
Thickness=0.4/mm(0.015")

Material:Stainless Steel(Single-Layer)

EP4-006

4-Bolt Exhaust Flange/Muffler/Pipe Gasket P3

P3



Inside Diameter(ID)=91/mm(3.58")

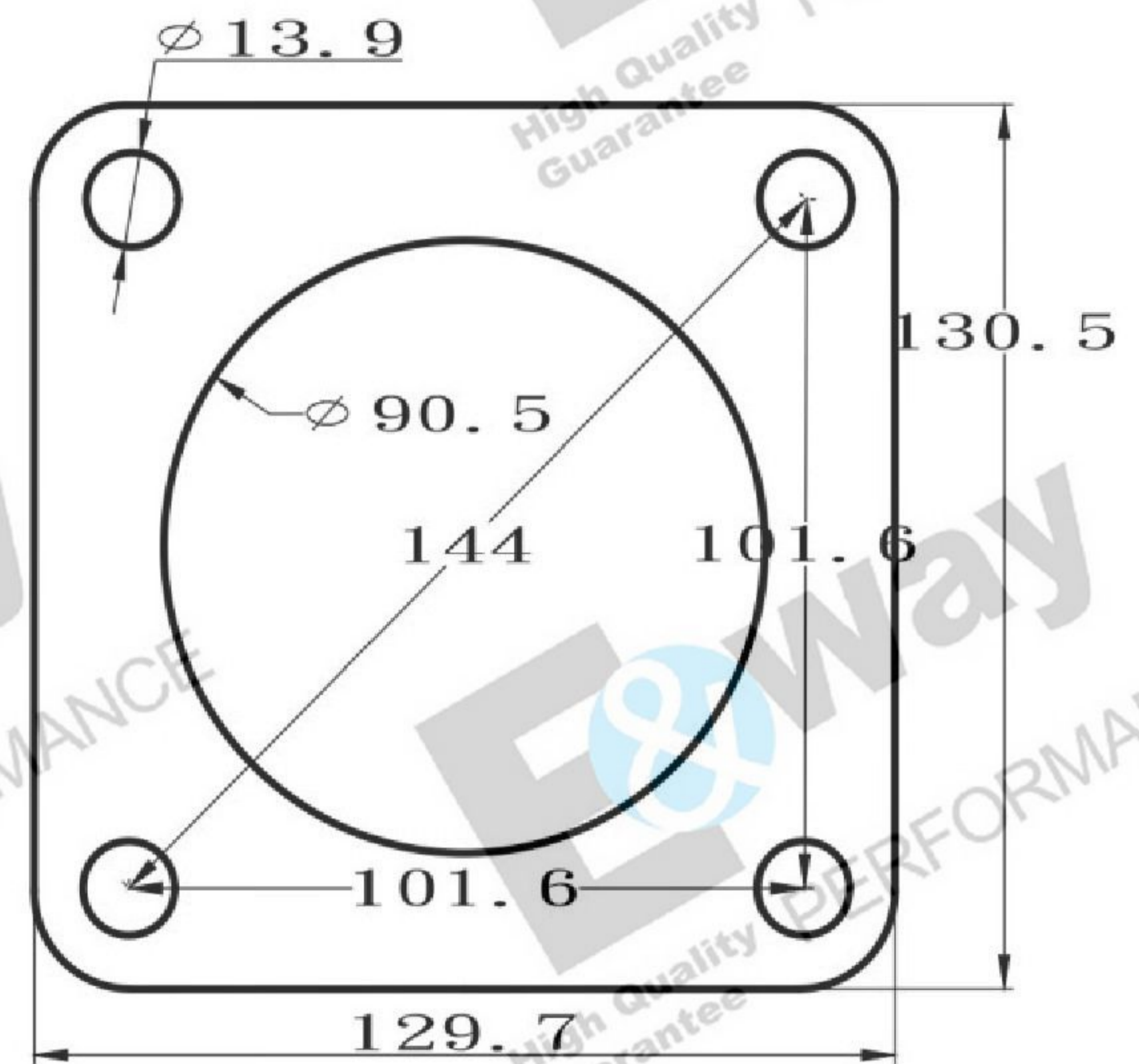
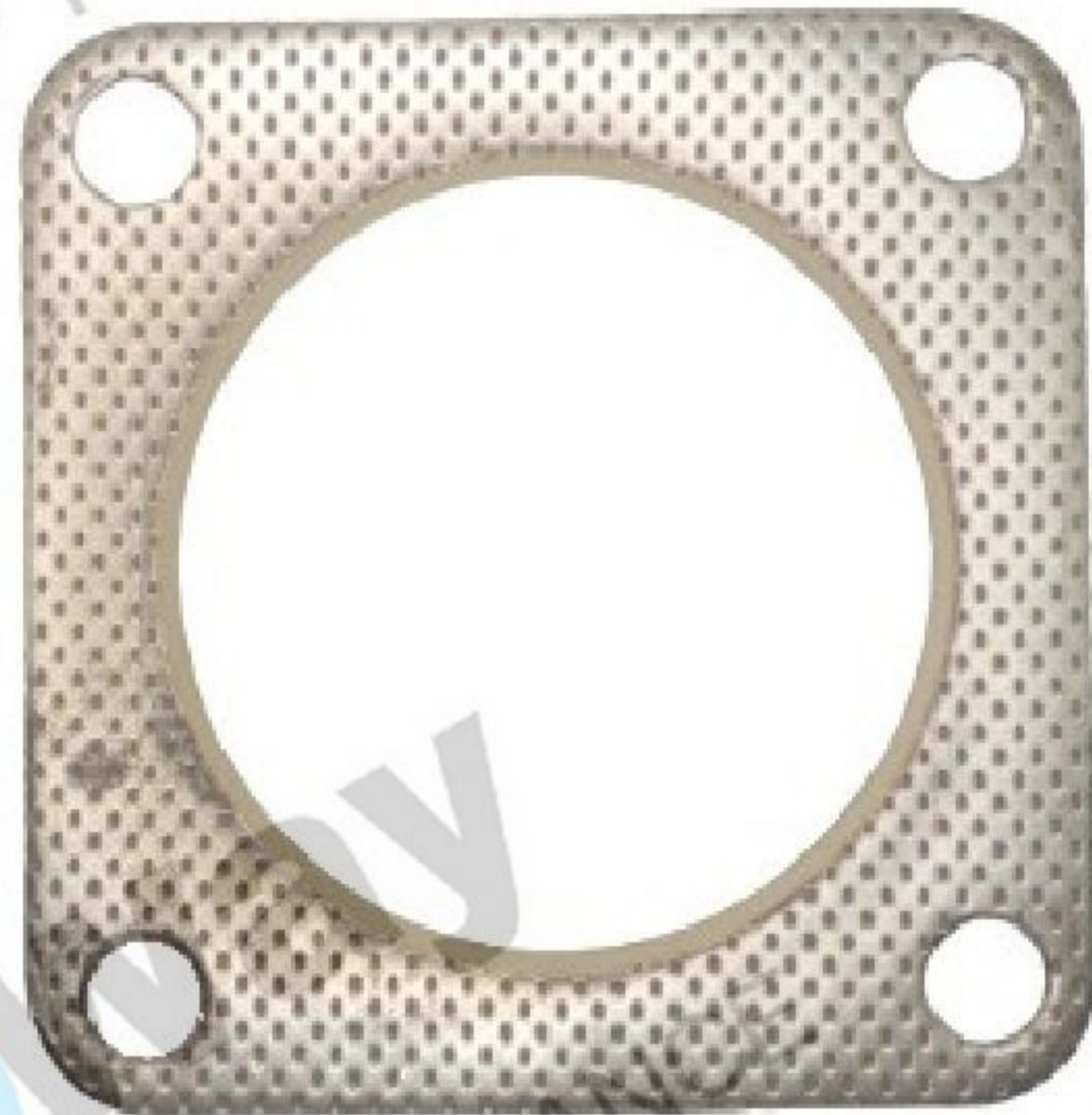
Bolt To Bolt=89.4/mm(3.5")90.5/mm(3.56")

Bolt Hole=16/mm(0.55")

Thickness=1.6~2.0/mm(0.06"~0.08")

Material:Steel(Mixed Asbestos Free)+Stainless Steel(Hole)

EP4-007



Inside Diameter(ID)=90.5/mm(3.56")

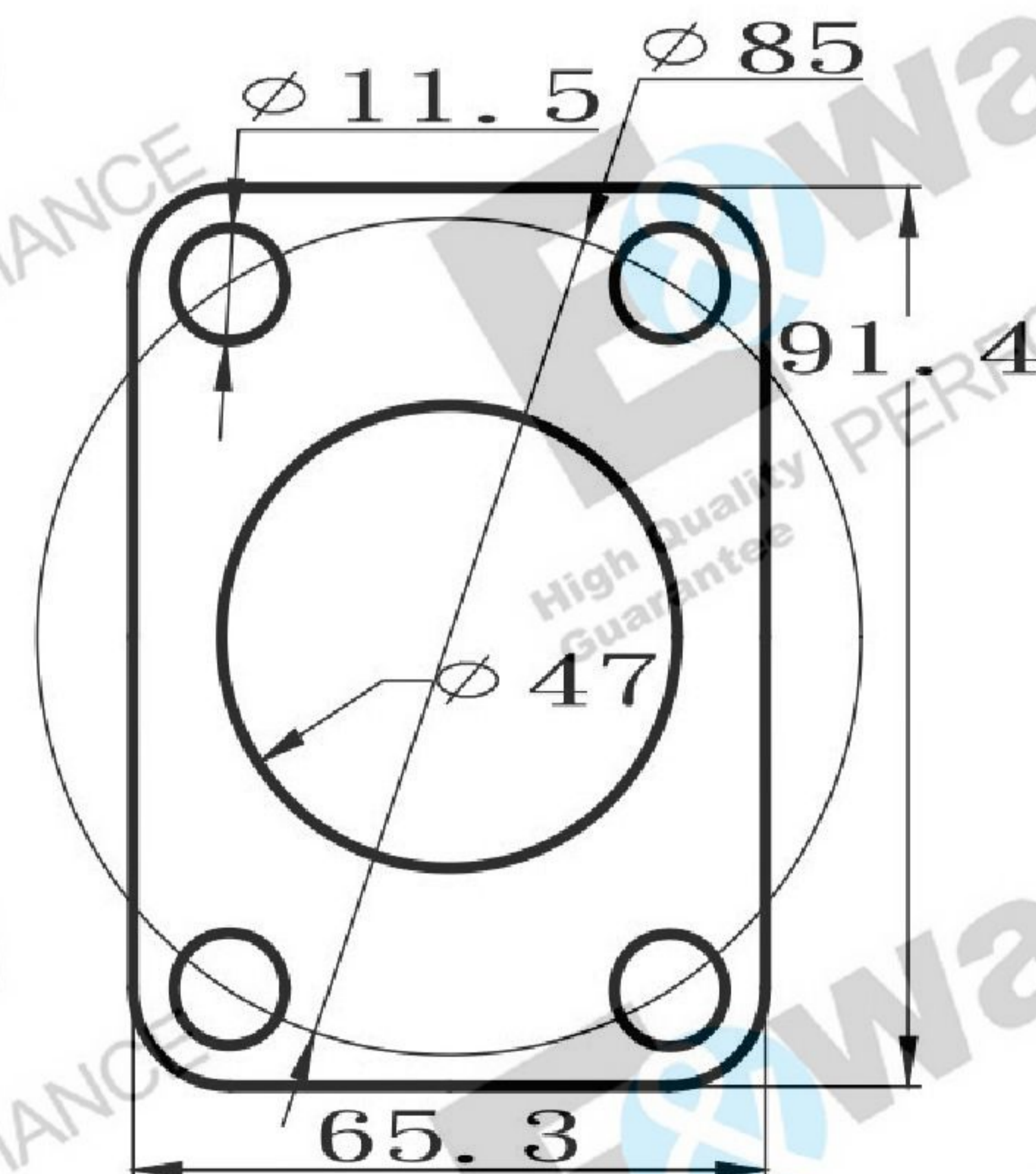
Bolt To Bolt=144/mm(5.66")101.6/mm(4")

Bolt Hole=13.9/mm(0.54")

Thickness=1.6~2.0/mm(0.06"~0.08")

Material:Steel(Mixed Asbestos Free)+Stainless Steel(Hole)

EP4-008



Inside Diameter(ID)=47/mm(1.85")

Bolt Circle=85/mm(3.34")

Bolt Hole=11.5/mm(0.45")

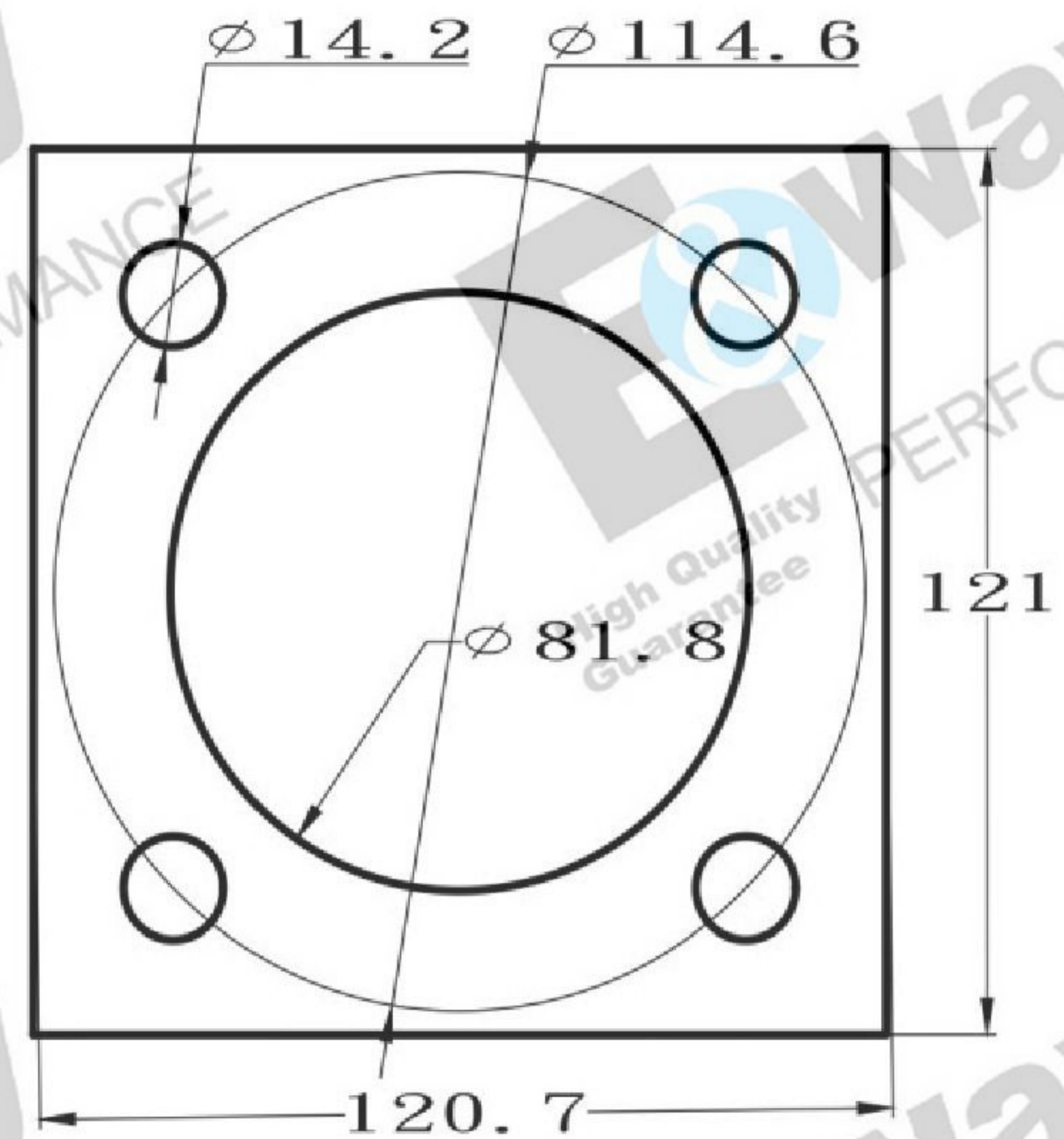
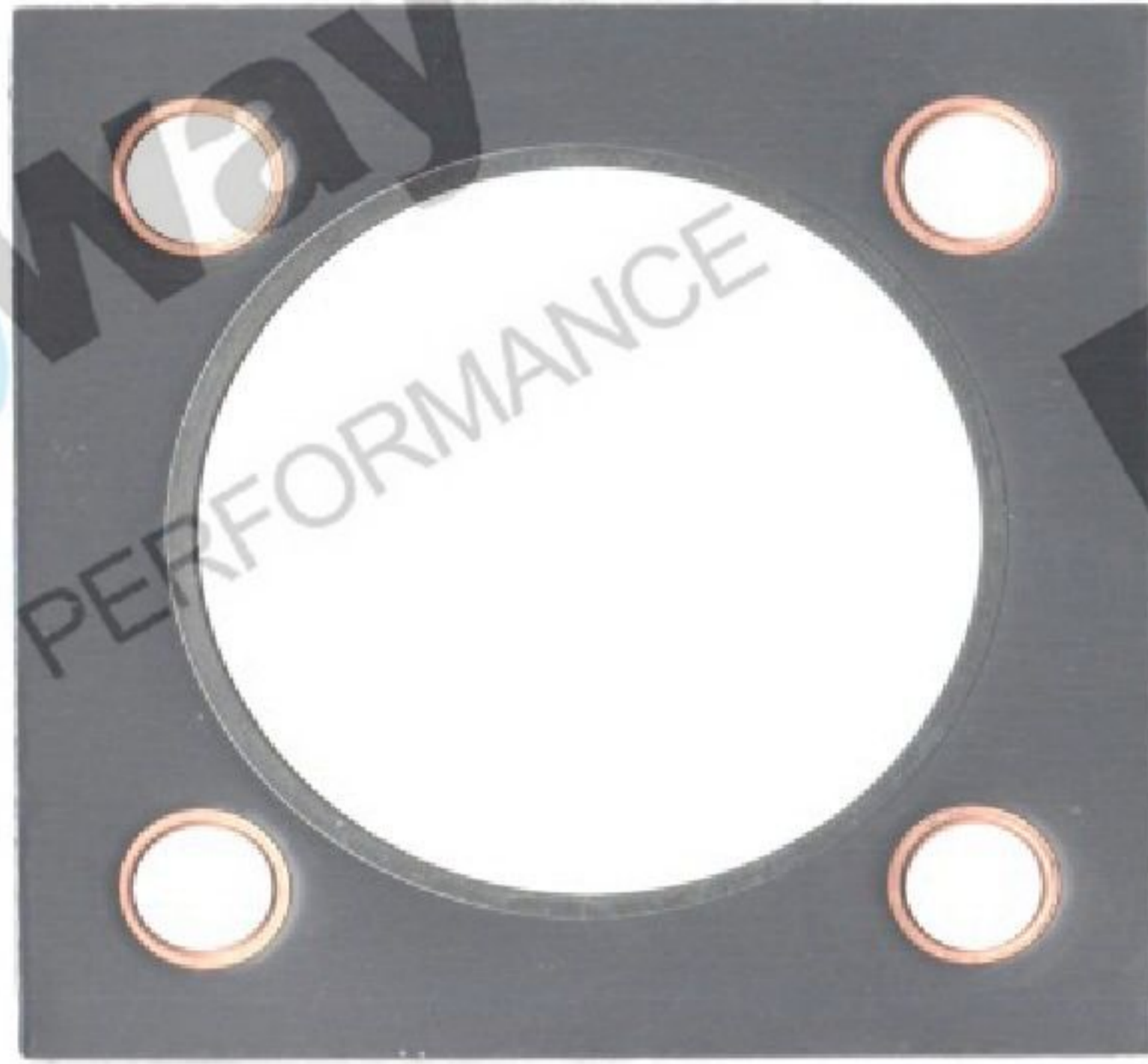
Thickness=1.6~2.0/mm(0.06"~0.08")

Material:Steel(Mixed Asbestos Free)+Stainless Steel(Hole)

EP4-009

4-Bolt Exhaust Flange/Muffler/Pipe Gasket P4

P4



Inside Diameter(ID)=81.8/mm(3.22")

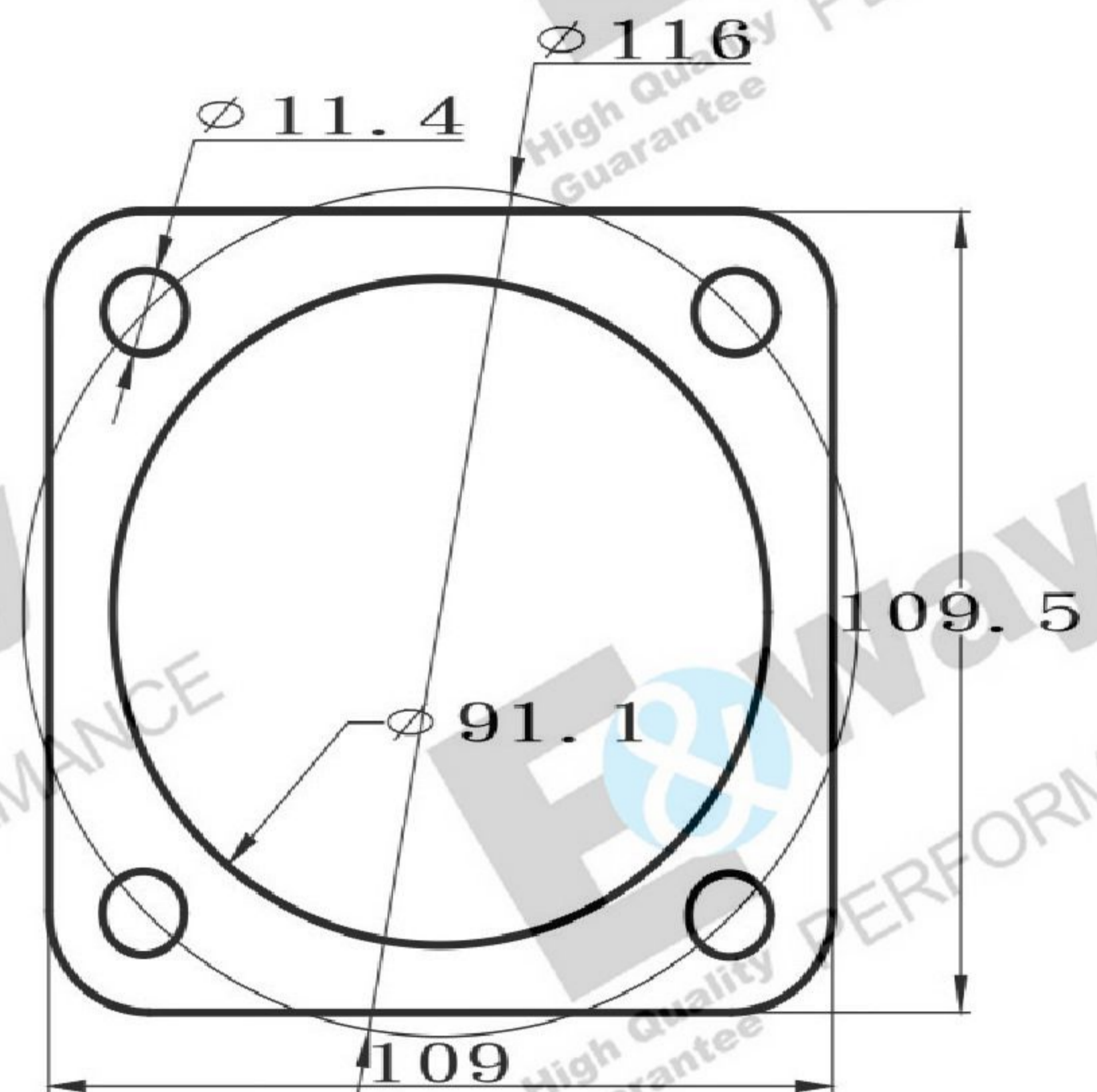
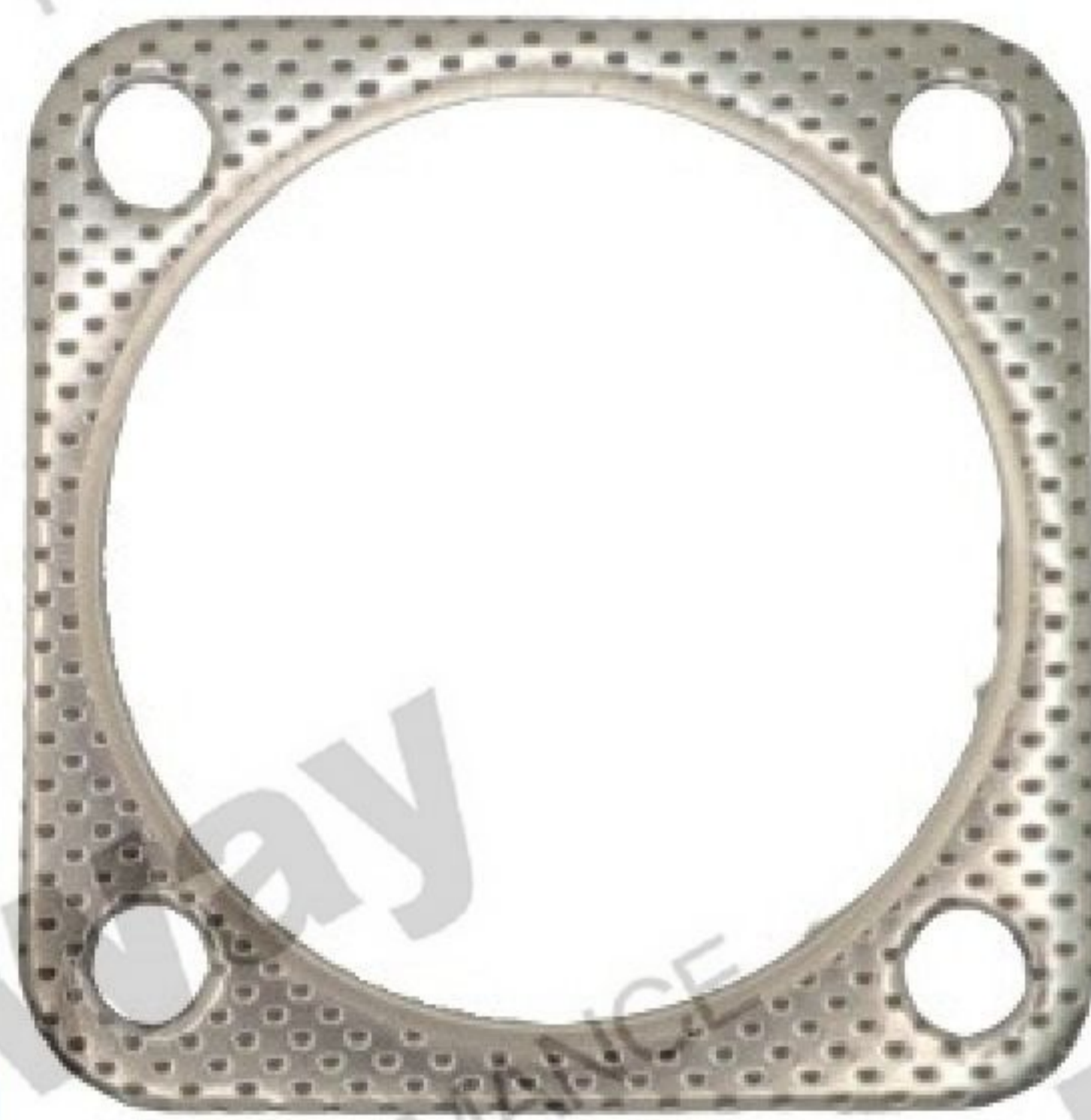
Bolt Circle=114.6/mm(4.51")

Bolt Hole=14.2/mm(0.55")

Thickness=1.6~2.0/mm(0.06"~0.08")

Material:Graphite(Mixed Steel)+Stainless Steel(Hole)+Copper+Steel(MoS₂ Coated)

EP4-010



Inside Diameter(ID)=91.1/mm(3.58")

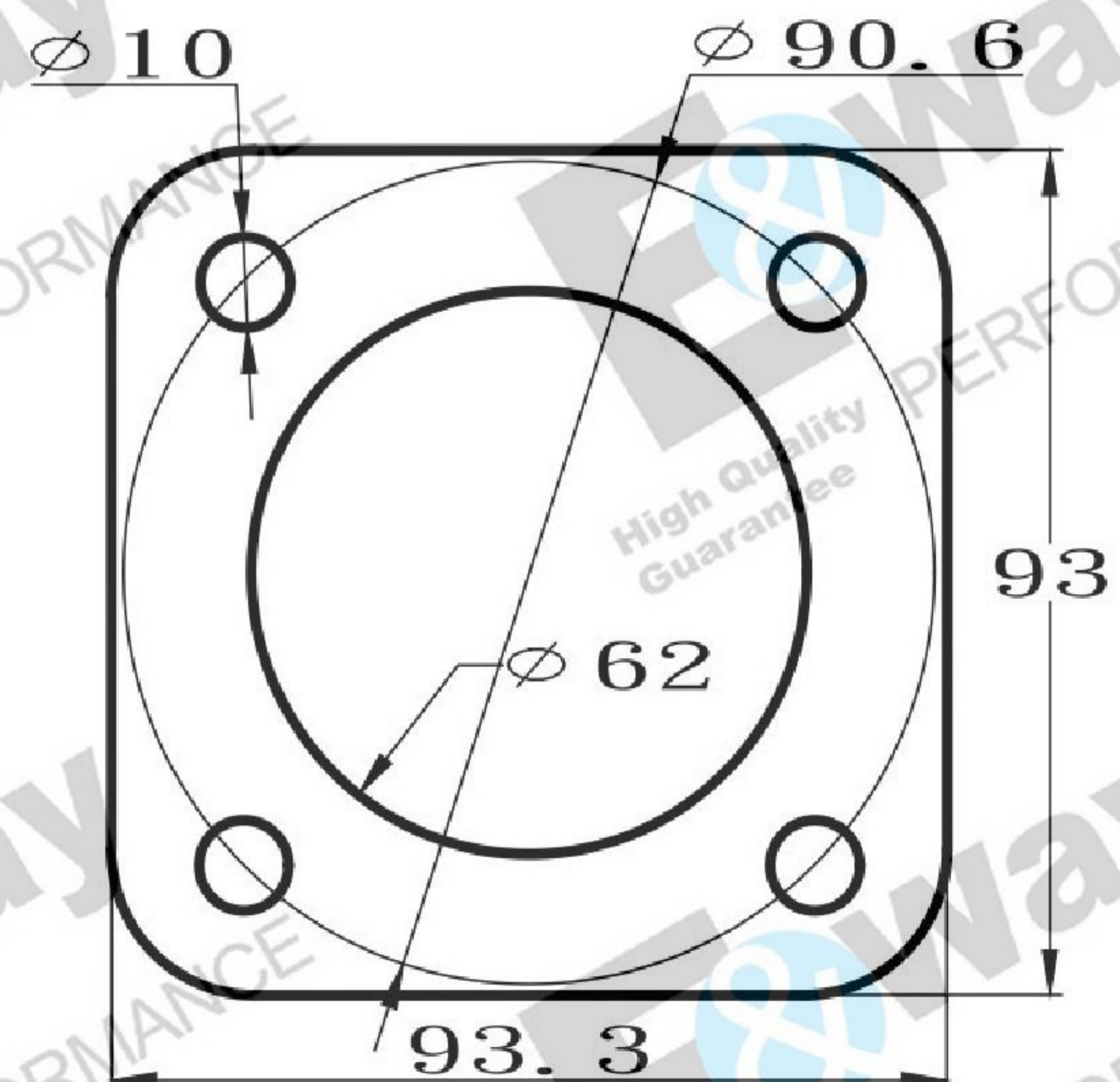
Bolt Circle=116/mm(4.56")

Bolt Hole=11.4/mm(0.44")

Thickness=1.6~2.0/mm(0.06"~0.08")

Material:Steel(Mixed Asbestos Free)+Stainless Steel(Hole)

EP4-011



Inside Diameter(ID)=62/mm(2.44")

Bolt Circle=90.6/mm(3.56")

Bolt Hole=10/mm(0.39")

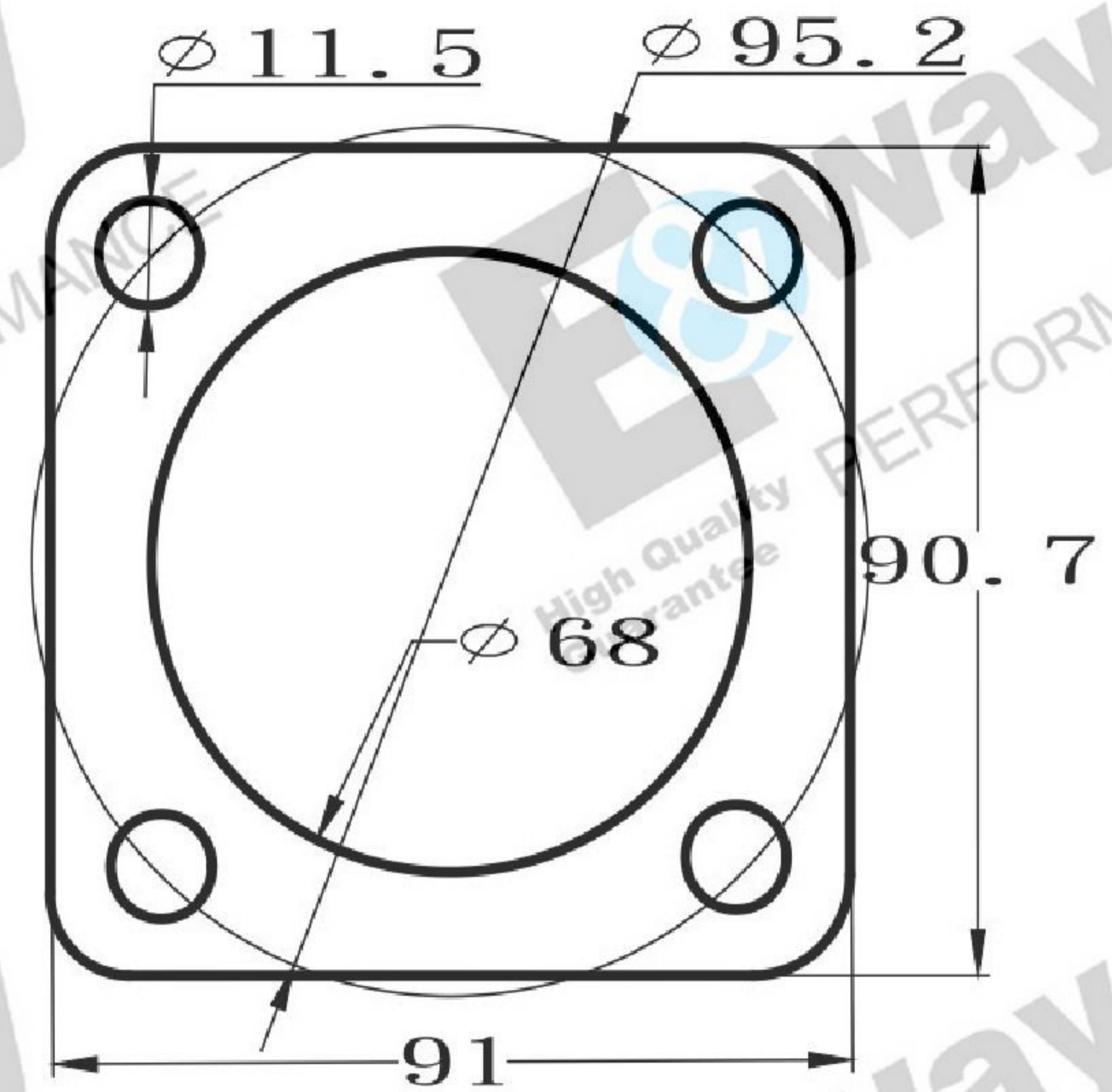
Thickness=1.6~2.0/mm(0.06"~0.08")

Material:Graphite(Mixed Steel)+Stainless Steel(Hole)+Copper+Steel(MoS₂ Coated)

EP4-012

4-Bolt Exhaust Flange/Muffler/Pipe Gasket P5

P5



Inside Diameter(ID)=68/mm(2.67")

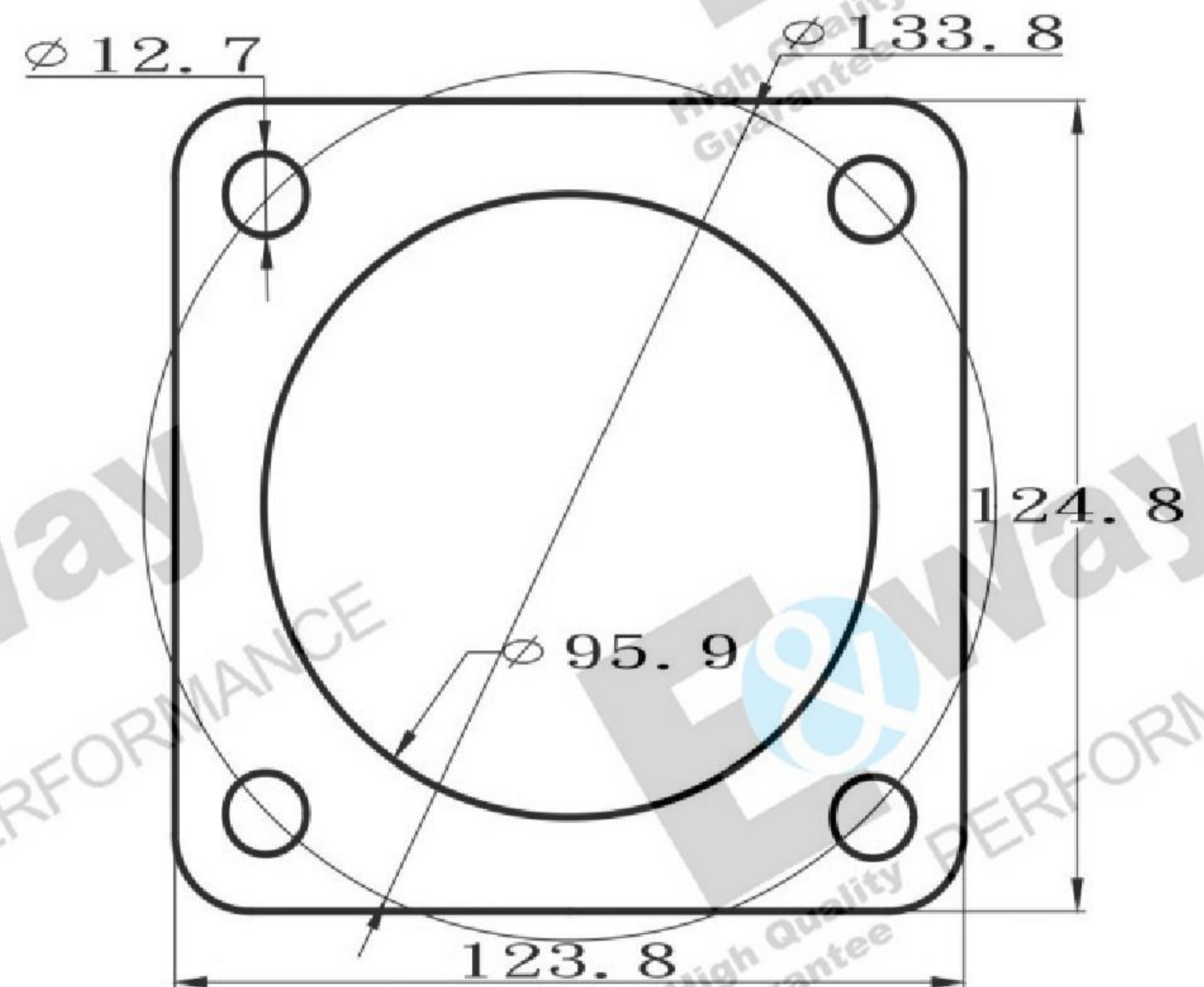
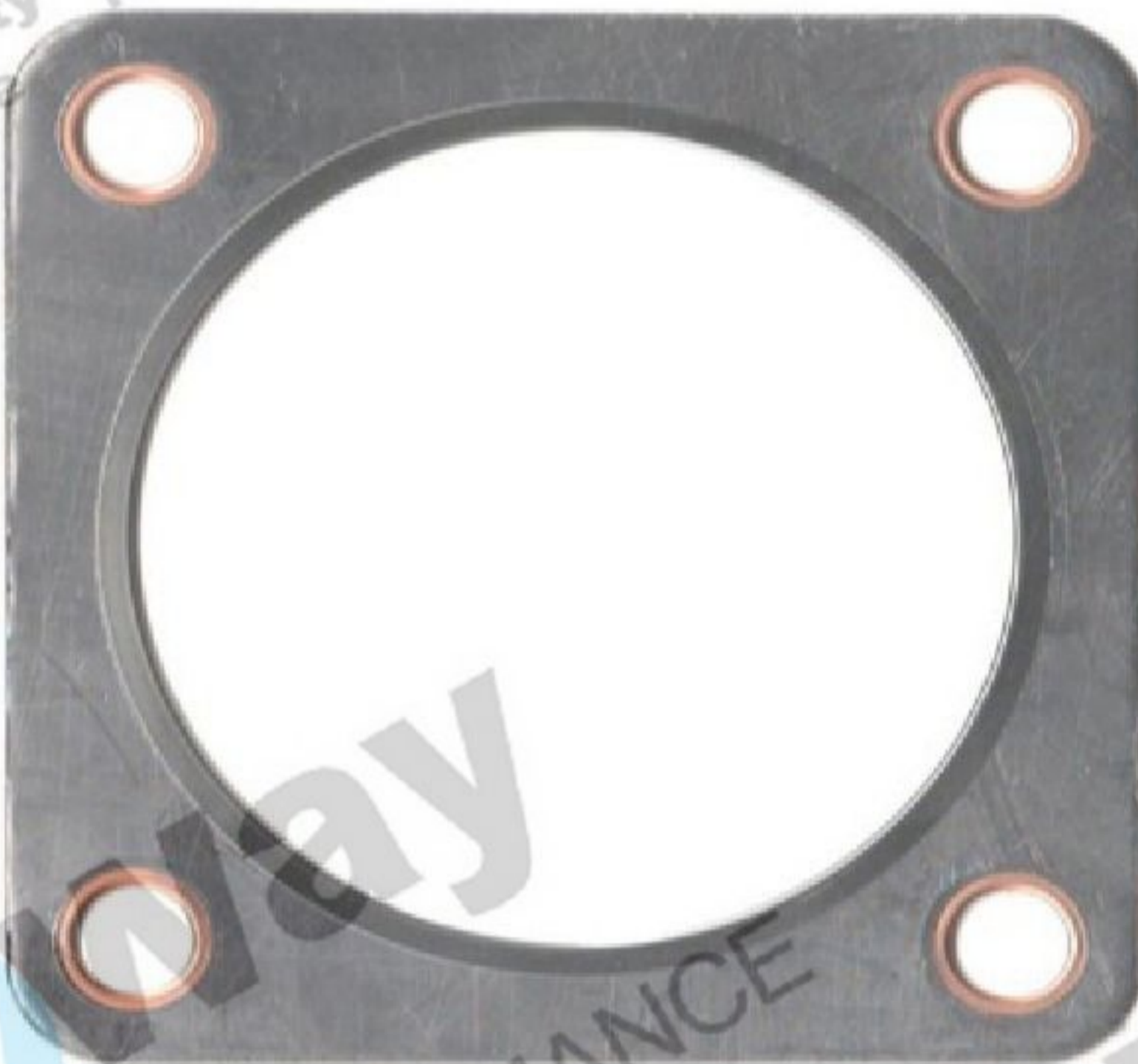
Bolt Circle=95.2/mm(3.74")

Bolt Hole=11.5/mm(0.45")

Thickness=1.6~2.0/mm(0.06"~0.08")

Material:Steel(Mixed Asbestos Free)+Stainless Steel(Hole)

EP4-013



Inside Diameter(ID)=95.9/mm(3.77")

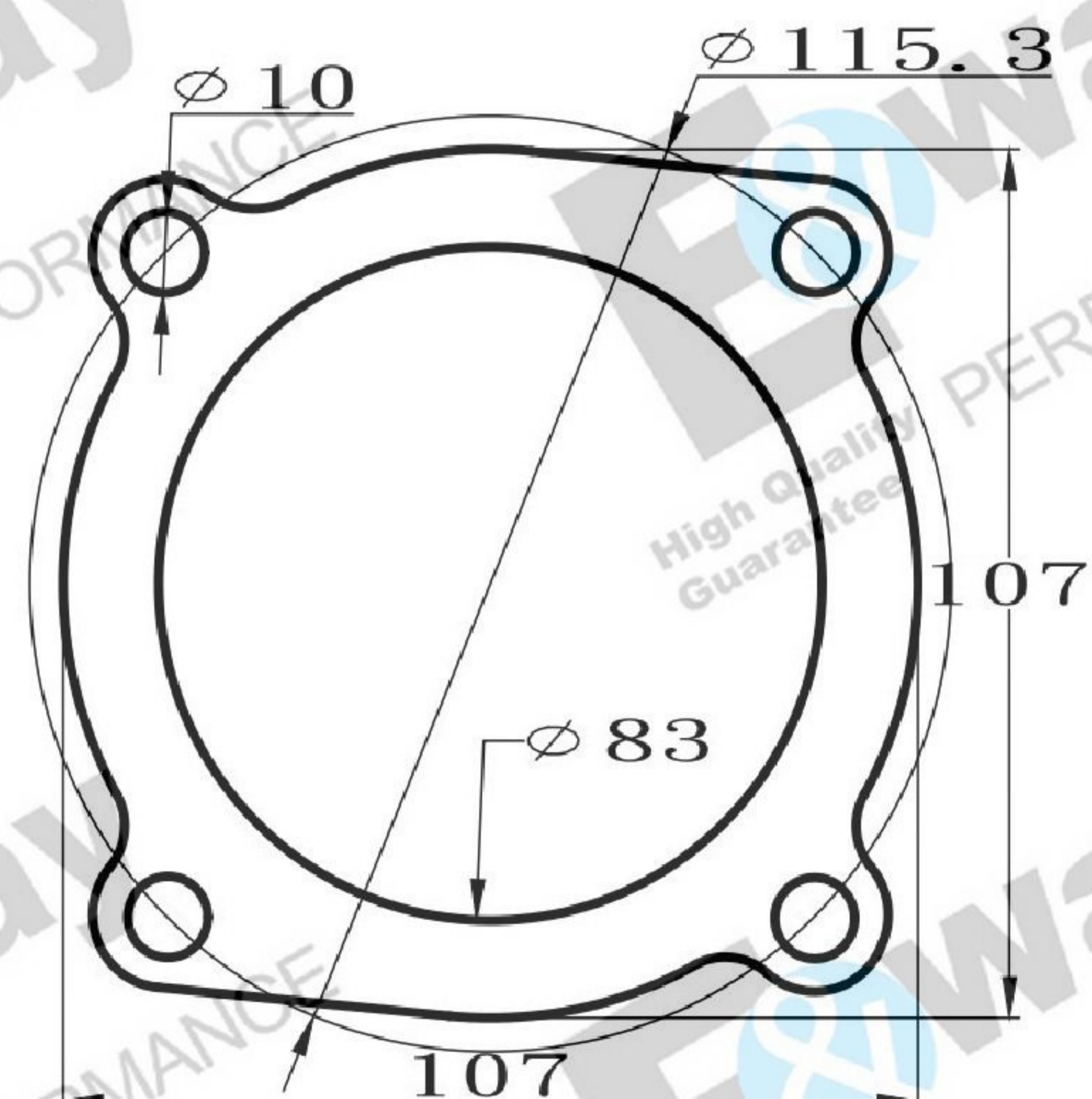
Bolt Circle=133.8/mm(5.26")

Bolt Hole=12.7/mm(0.50")

Thickness=1.0/mm(0.04")

Material:Graphite Mixed Steel(2-Layer)+Stainless Steel(Hole)+Copper

EP4-014



Inside Diameter(ID)=83/mm(3.26")

Bolt Circle=115.3/mm(4.53")

Bolt Hole=10/mm(0.39")

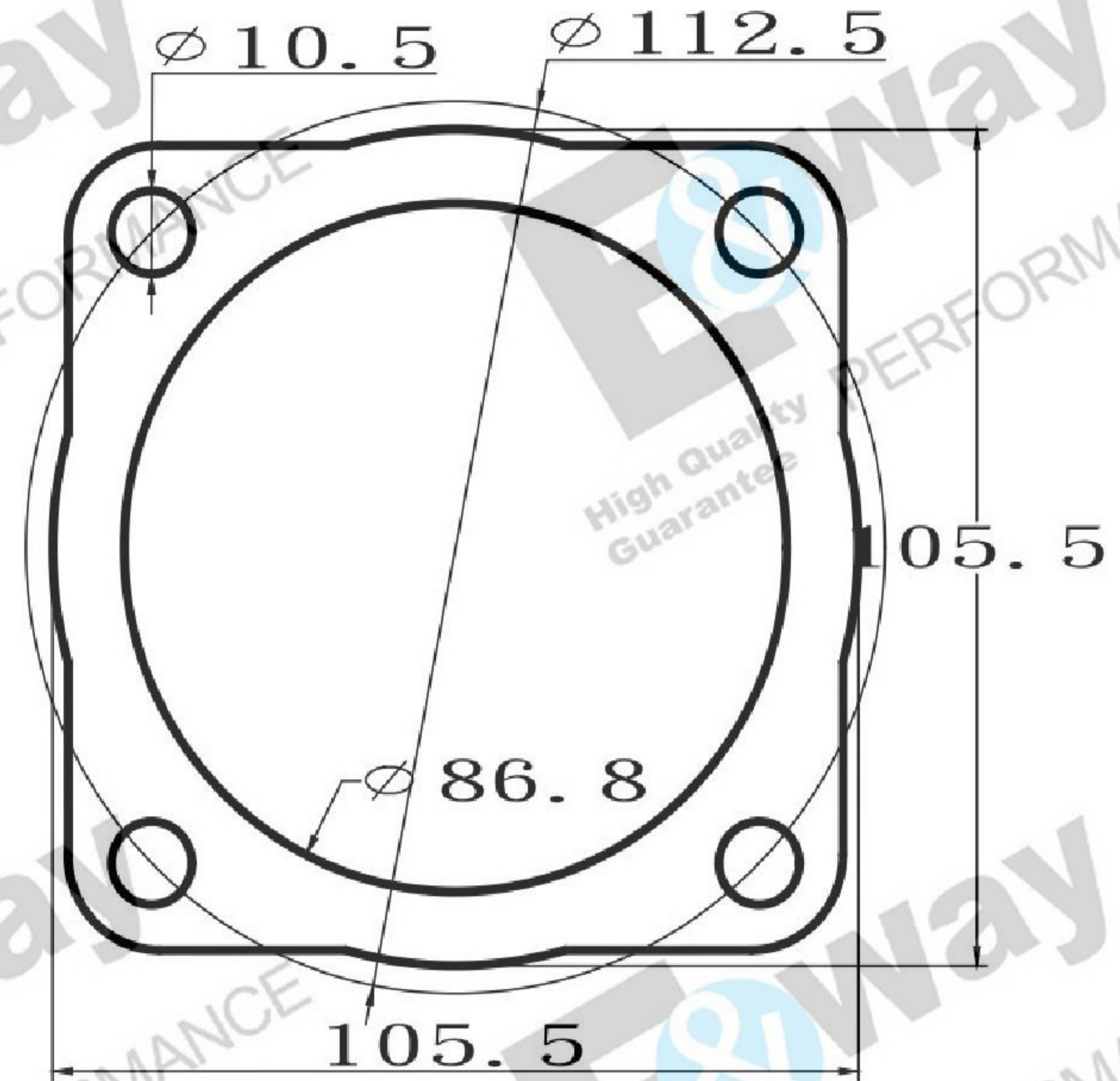
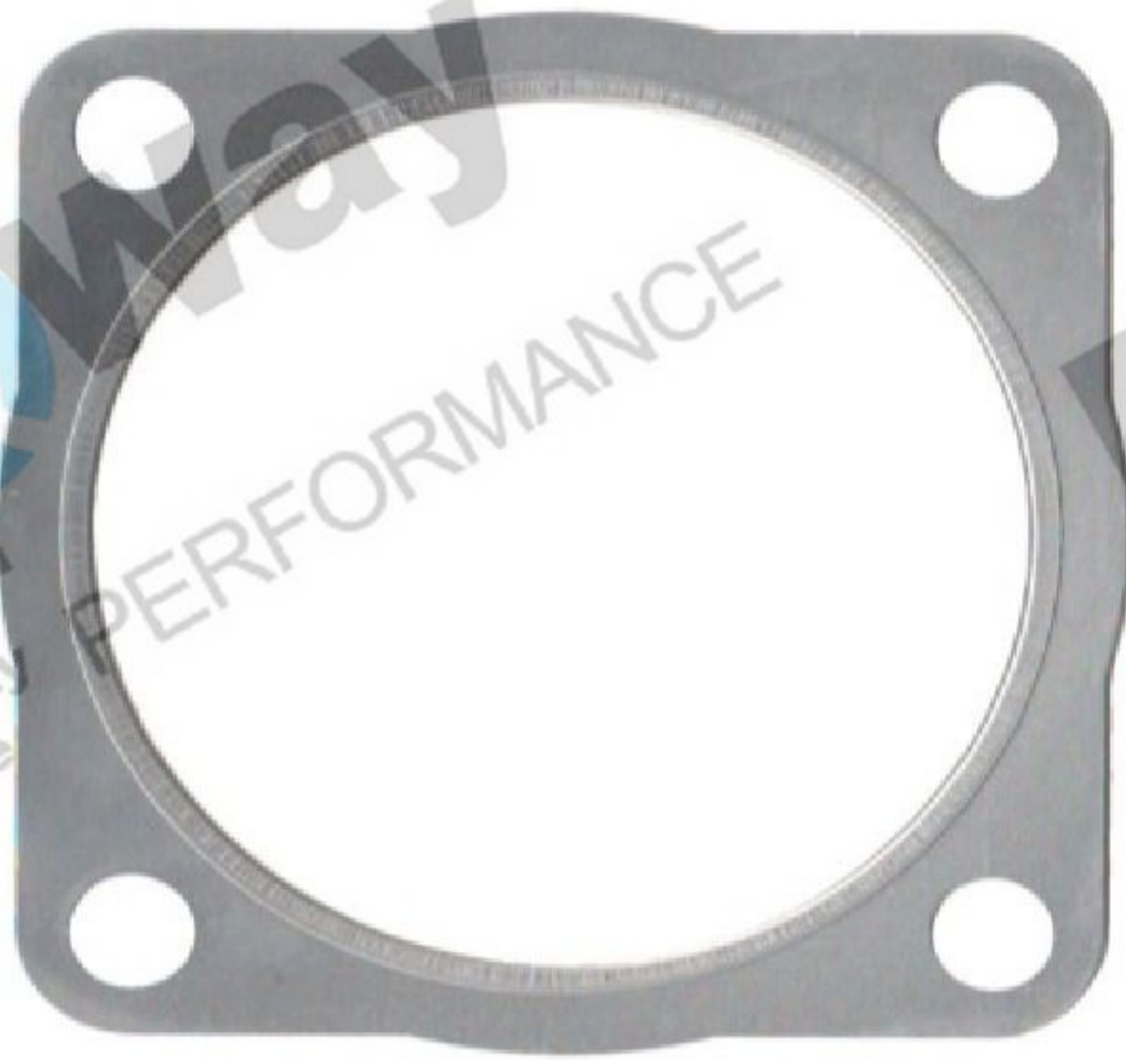
Thickness=1.6~2.0/mm(0.06"~0.08")

Material:Steel(Mixed Asbestos Free)+Copper+Stainless Steel(Hole)

EP4-015

4-Bolt Exhaust Flange/Muffler/Pipe Gasket P6

P6



Inside Diameter(ID)=86.8/mm(3.41")

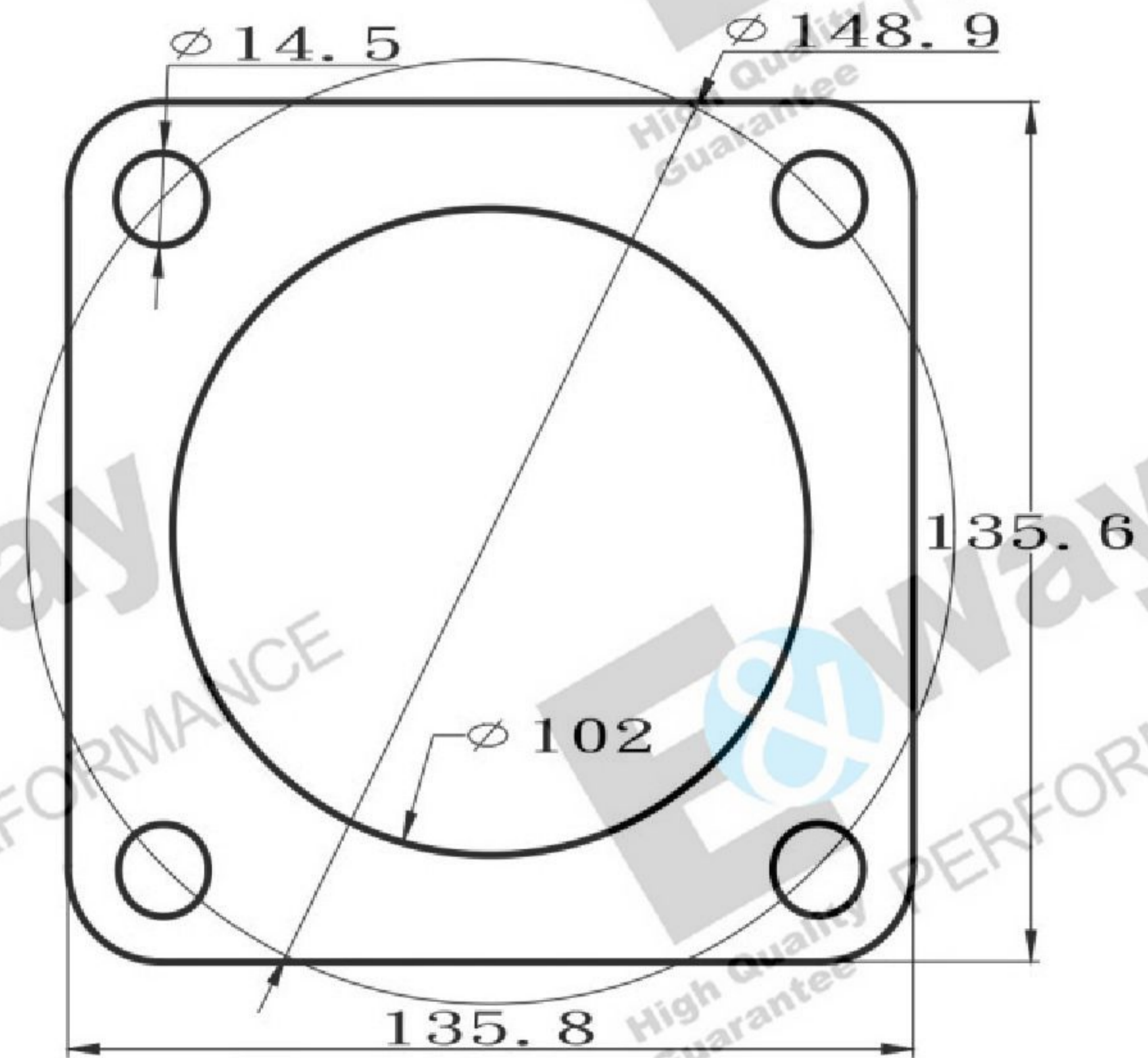
Bolt Circle=112.5/mm(4.42")

Bolt Hole=10.5/mm(0.41")

Thickness=1.5/mm(0.06")

Material:Steel(5-Layer)

EP4-016



Inside Diameter(ID)=102/mm(4.01")

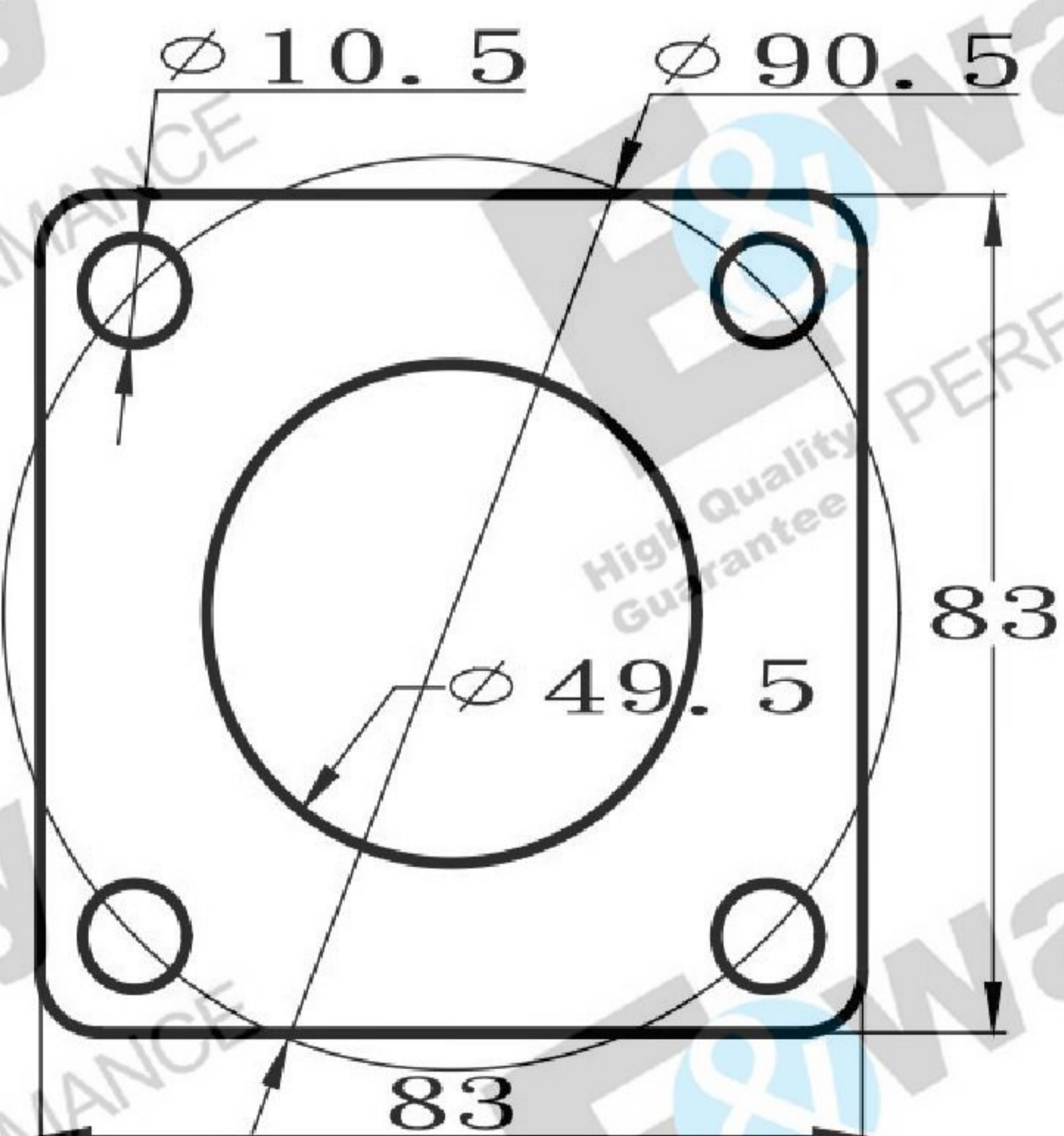
Bolt Circle=148.9/mm(5.86")

Bolt Hole=14.5/mm(0.57")

Thickness=1.6~2.0/mm(0.06"~0.08")

Material:Steel(Mixed Asbestos Free)+Stainless Steel(Hole)

EP4-017



Inside Diameter(ID)=49.5/mm(1.94")

Bolt Circle=90.5/mm(3.56")

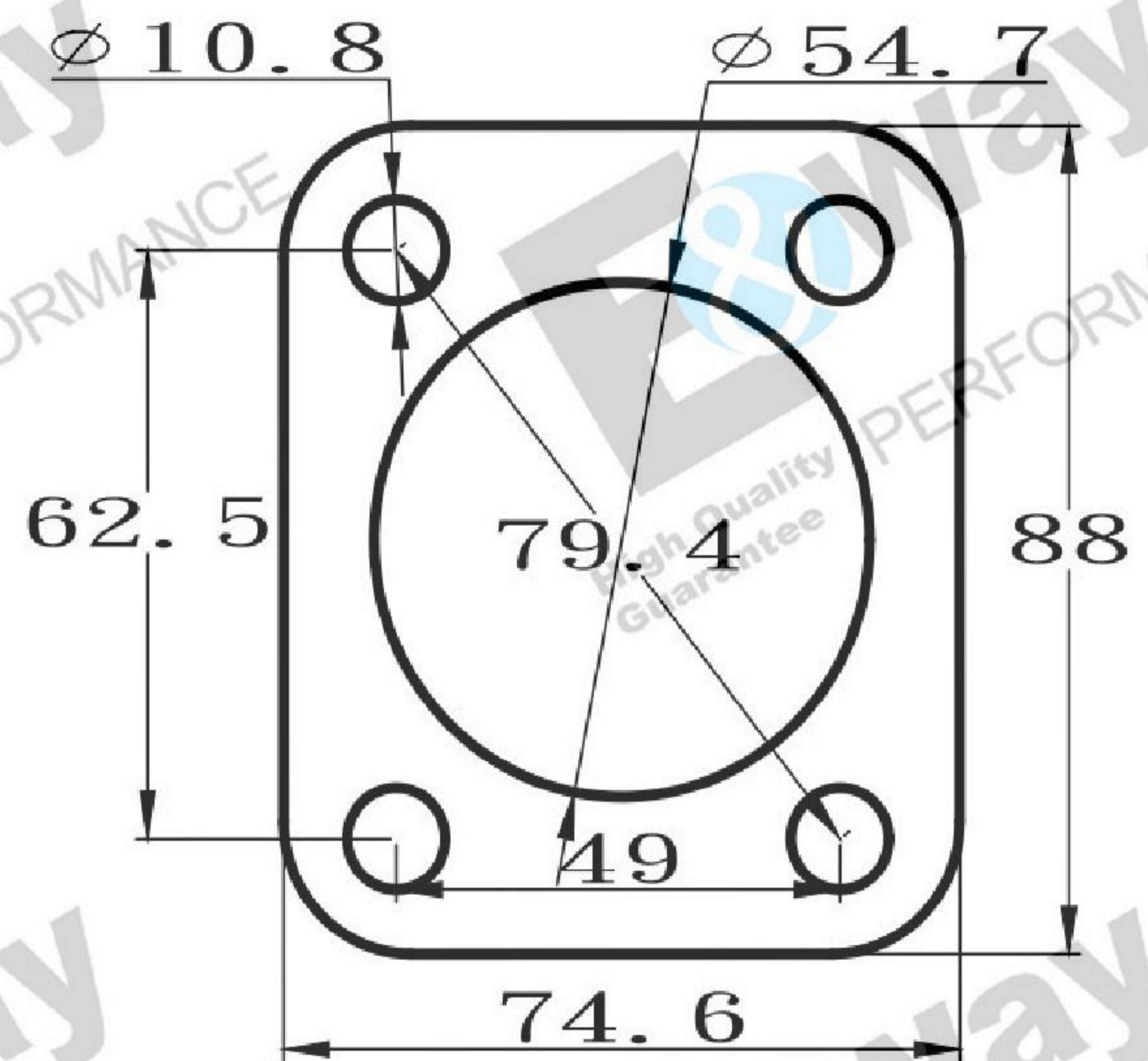
Bolt Hole=10.5/mm(0.41")

Thickness=1.6~2.0/mm(0.06"~0.08")

Material:Steel(Mixed Asbestos Free)+Stainless Steel(Hole)+Steel(MoS₂ Coated)

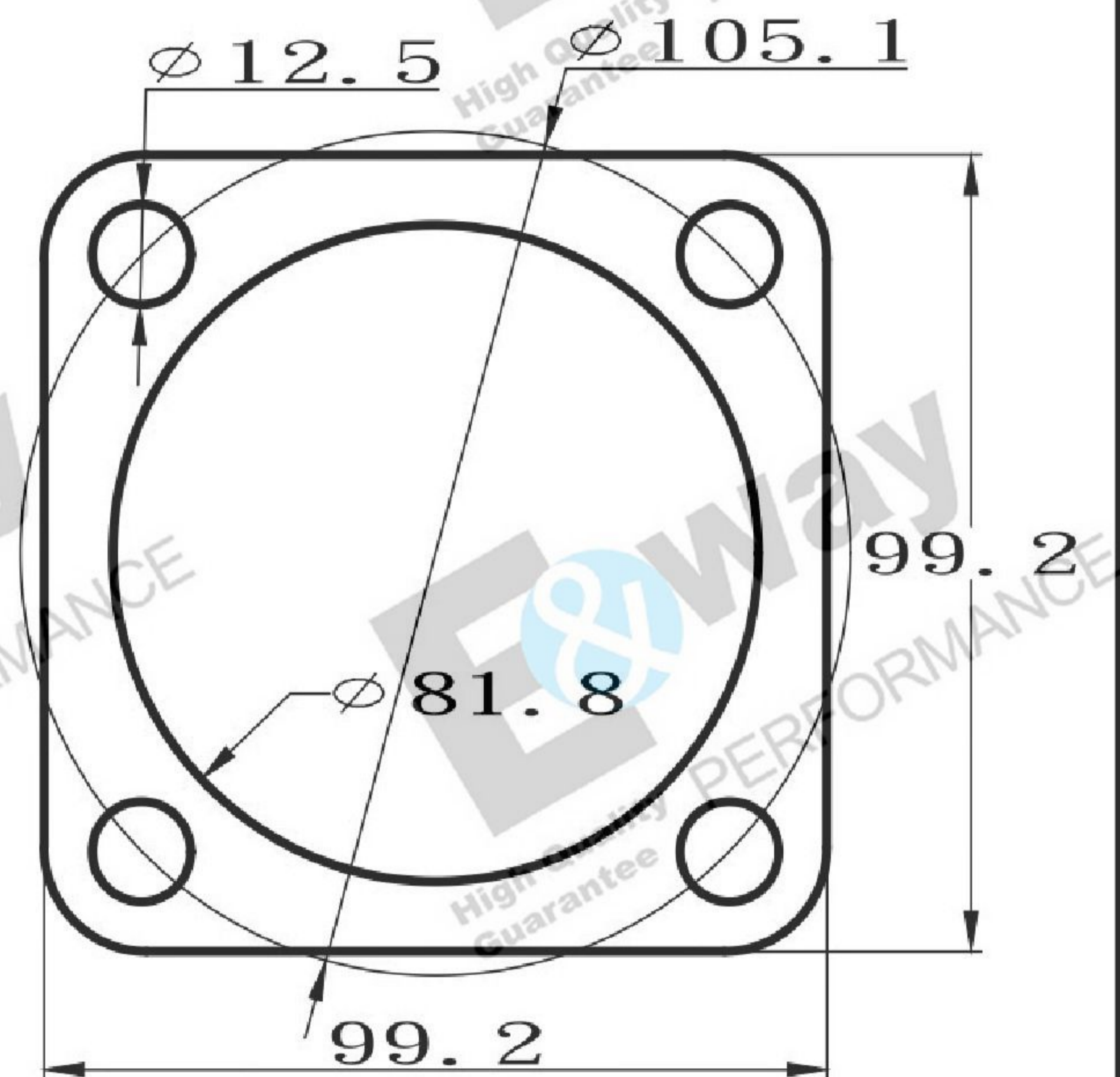
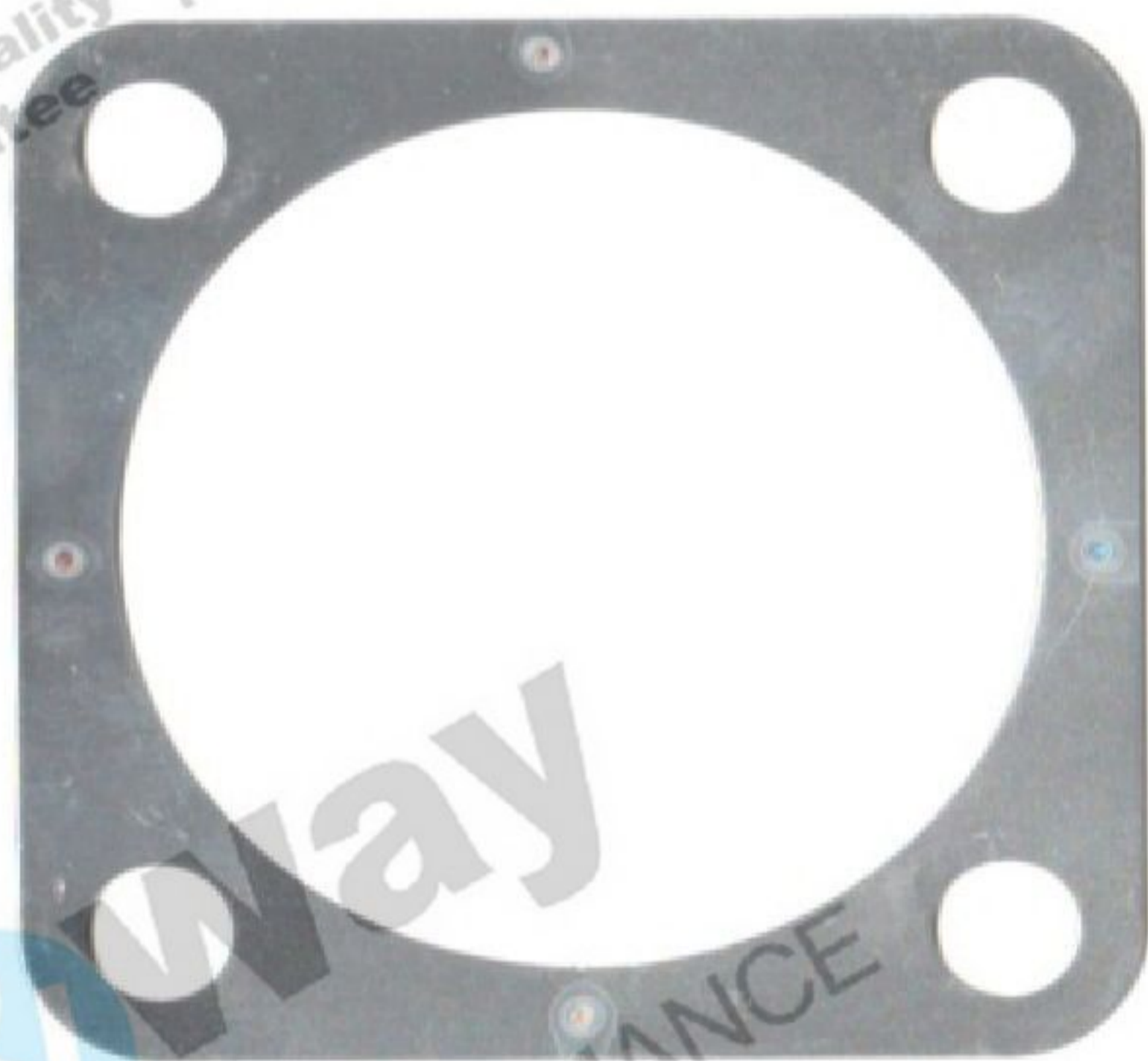
EP4-018

4-Bolt Exhaust Flange/Muffler/Pipe Gasket P7



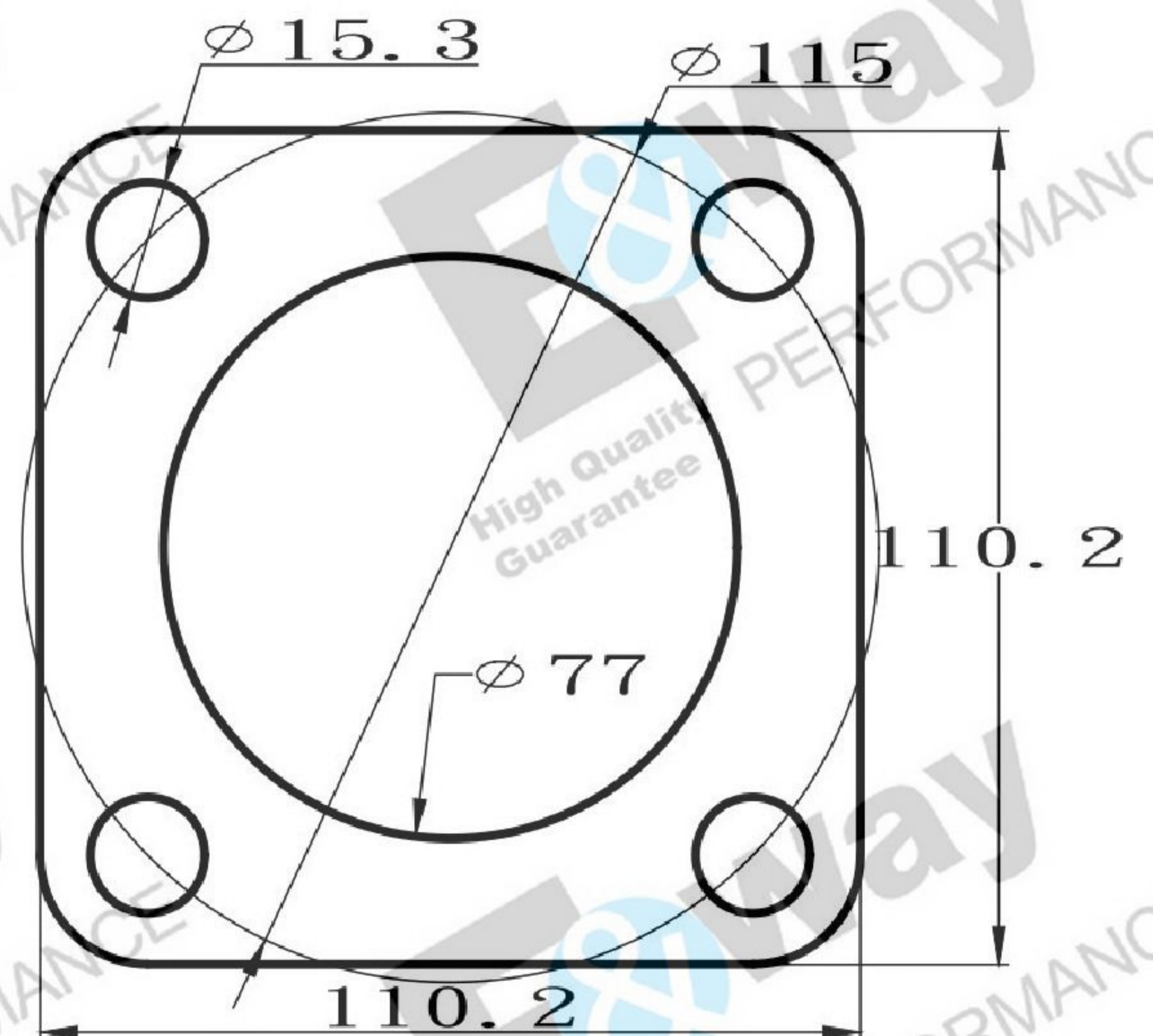
Inside Diameter(ID)=54.7/mm(2.15")
 Bolt To Bolt=62.5/mm(2.46")49/mm(1.92")
 Bolt Hole=10.8/mm(0.42")
 Thickness=1.6~2.0/mm(0.06"~0.08")
 Material:Steel(Mixed Asbestos Free)+Stainless Steel(Hole)

EP4-019



Inside Diameter(ID)=81.8/mm(3.22")
 Bolt Circle=105.1/mm(4.13")
 Bolt Hole=12.5/mm(0.49")
 Thickness=1.3/mm(0.05")
 Material:Steel(4-Layer)

EP4-020

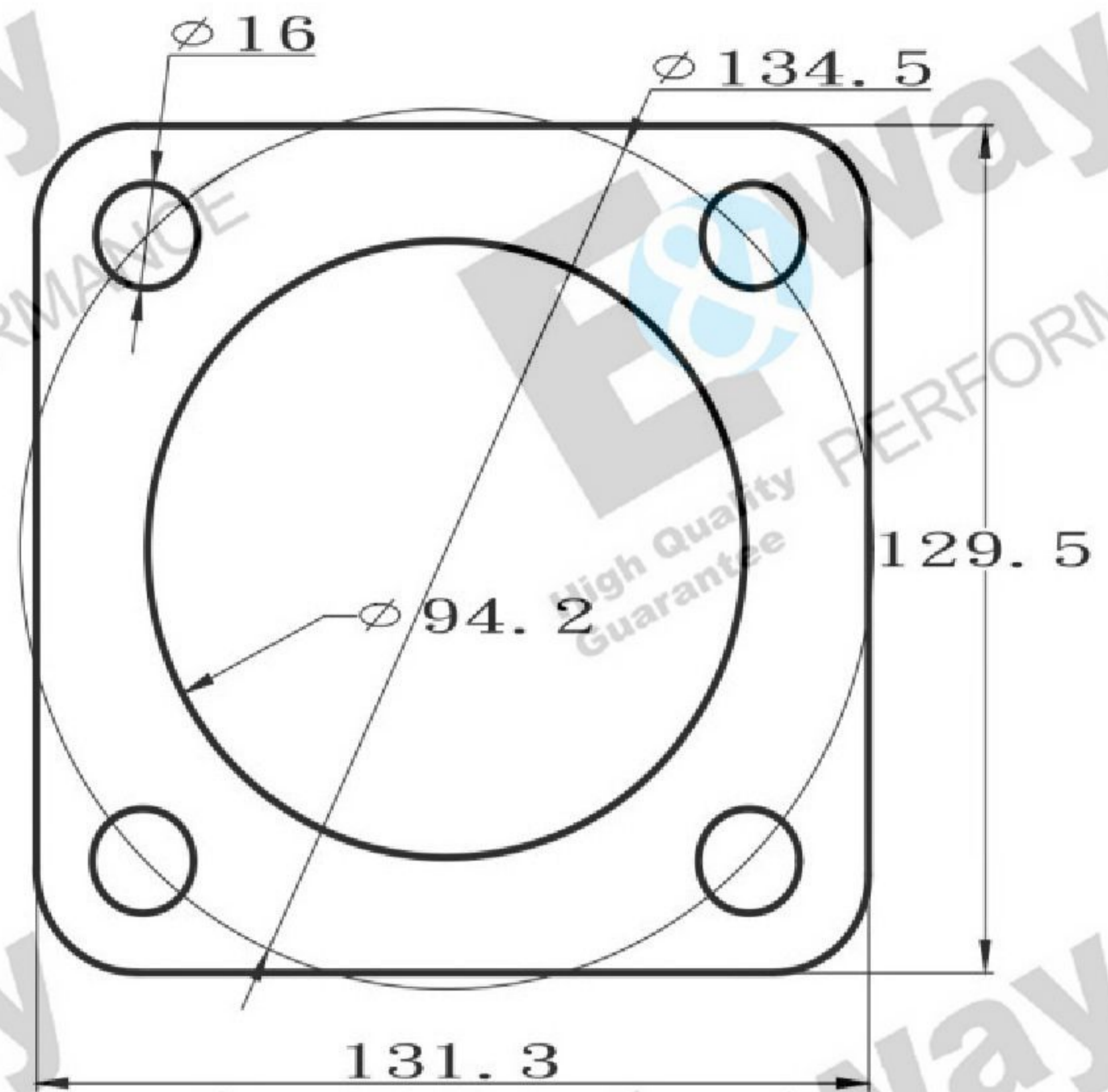


Inside Diameter(ID)=77/mm(3.03")
 Bolt Circle=115/mm(4.5")
 Bolt Hole=15.3/mm(0.6")
 Thickness=1.6~2.0/mm(0.06"~0.08")
 Material:Steel(Mixed Asbestos Free)+Stainless Steel(Hole)

EP4-021

4-Bolt Exhaust Flange/Muffler/Pipe Gasket P8

P8



Inside Diameter(ID)=94.2/mm(3.7")

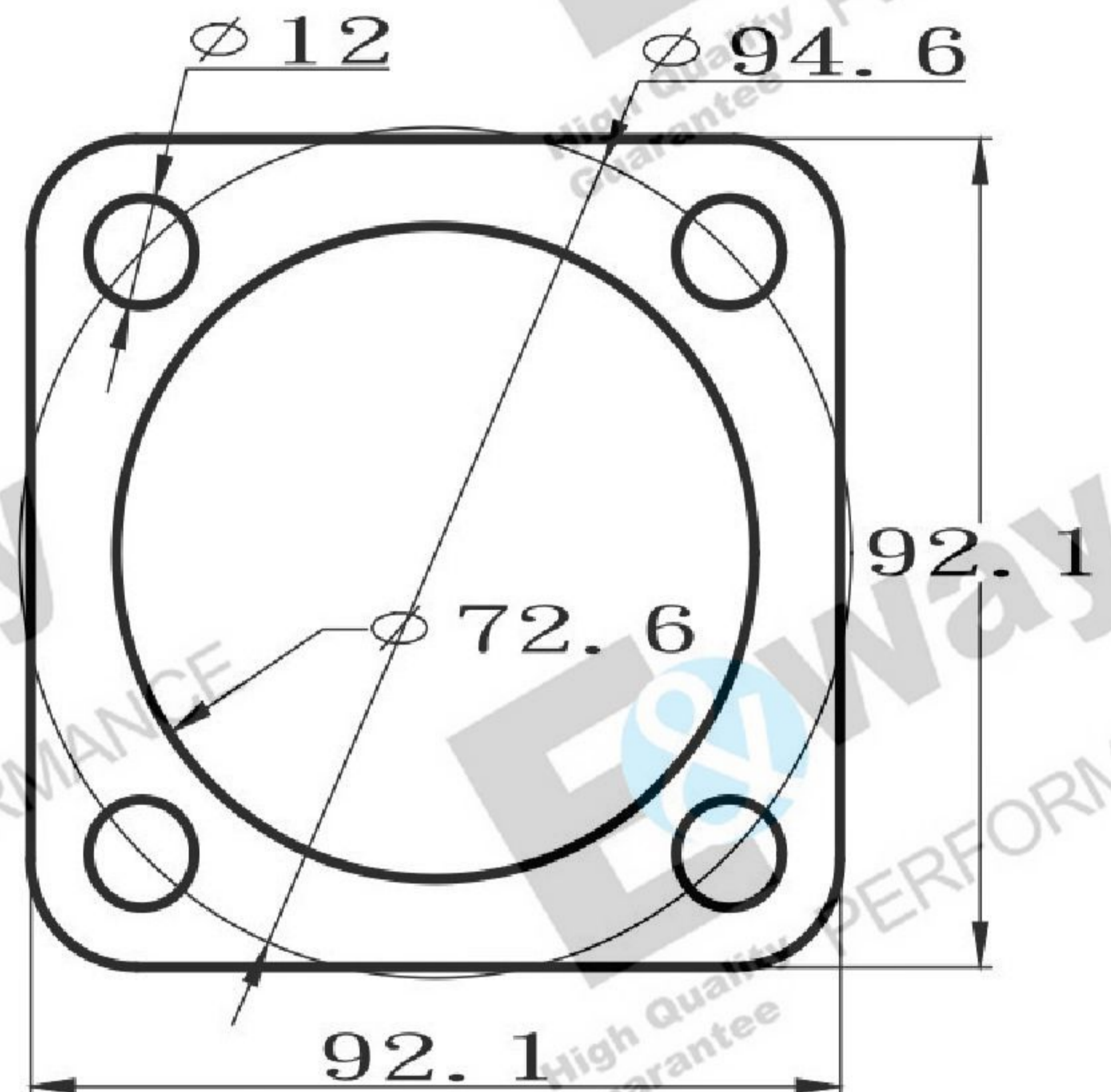
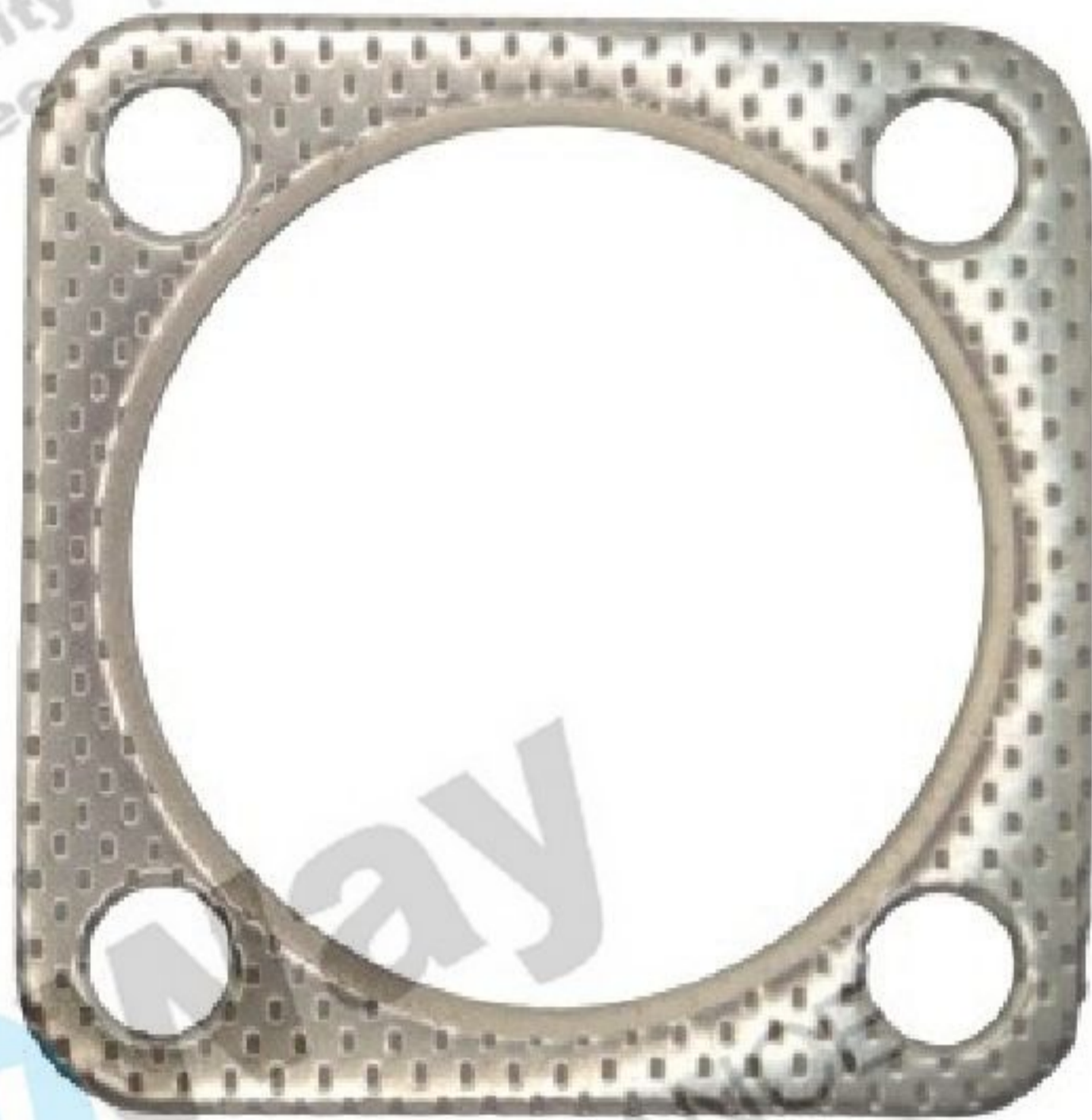
Bolt Circle=134.5/mm(5.29")

Bolt Hole=16/mm(0.62")

Thickness=1.6~2.0/mm(0.06"~0.08")

Material:Steel(Mixed Asbestos Free)+Stainless Steel(Hole)

EP4-022



Inside Diameter(ID)=72.6/mm(2.85")

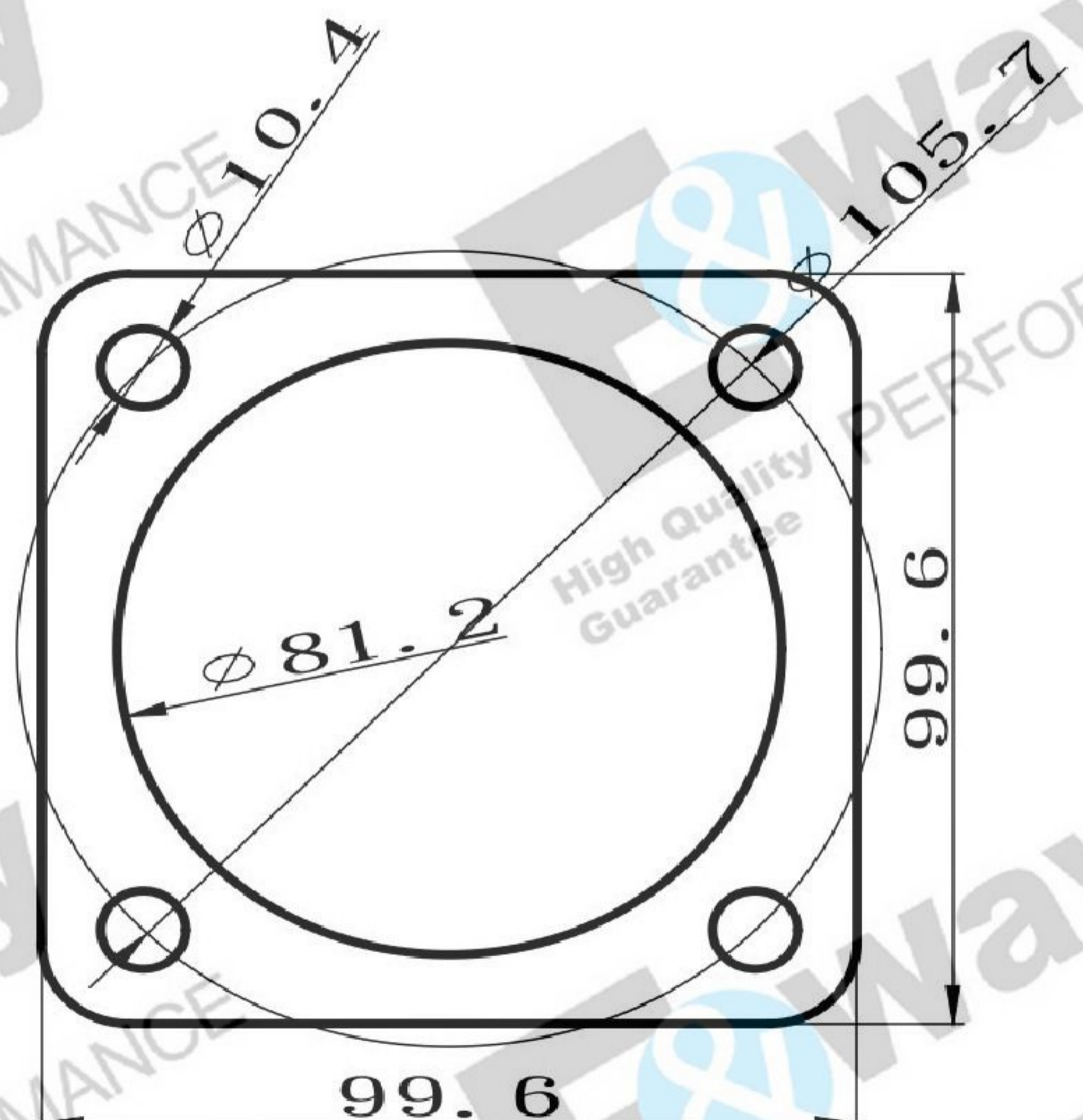
Bolt Circle=94.6/mm(3.72")

Bolt Hole=12/mm(0.47")

Thickness=1.6~2.0/mm(0.06"~0.08")

Material:Steel(Mixed Asbestos Free)+Stainless Steel(Hole)

EP4-023



Inside Diameter(ID)=81.2/mm(3.20")

Bolt Circle=105.7/mm(4.16")

Bolt Hole=10.4/mm(0.41")

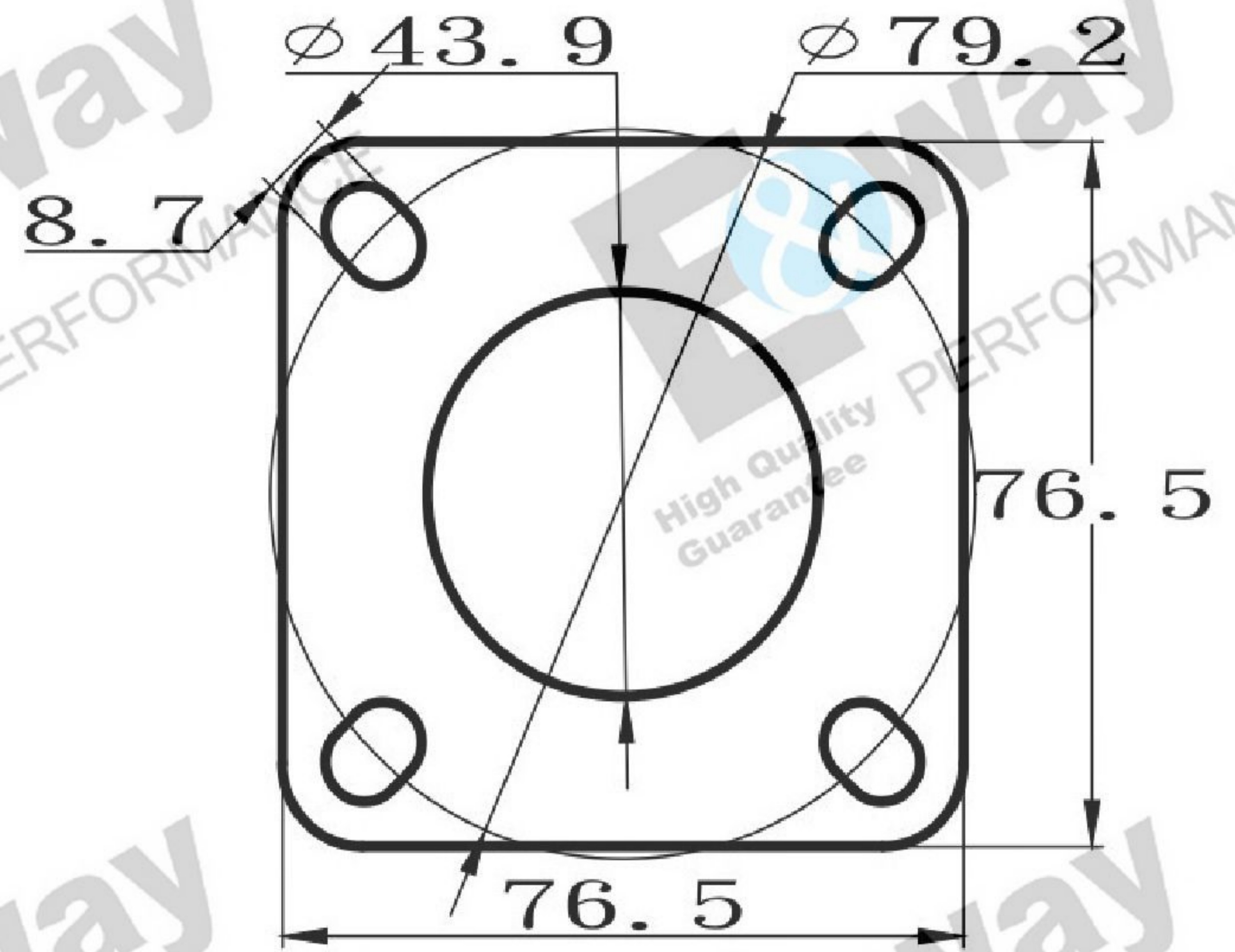
Thickness=1.6~2.0/mm(0.06"~0.08")

Material:Steel(Mixed Asbestos Free)+Stainless Steel(Hole)

EP4-024

4-Bolt Exhaust Flange/Muffler/Pipe Gasket P9

P9



Inside Diameter(ID)=43.9/mm(1.72")

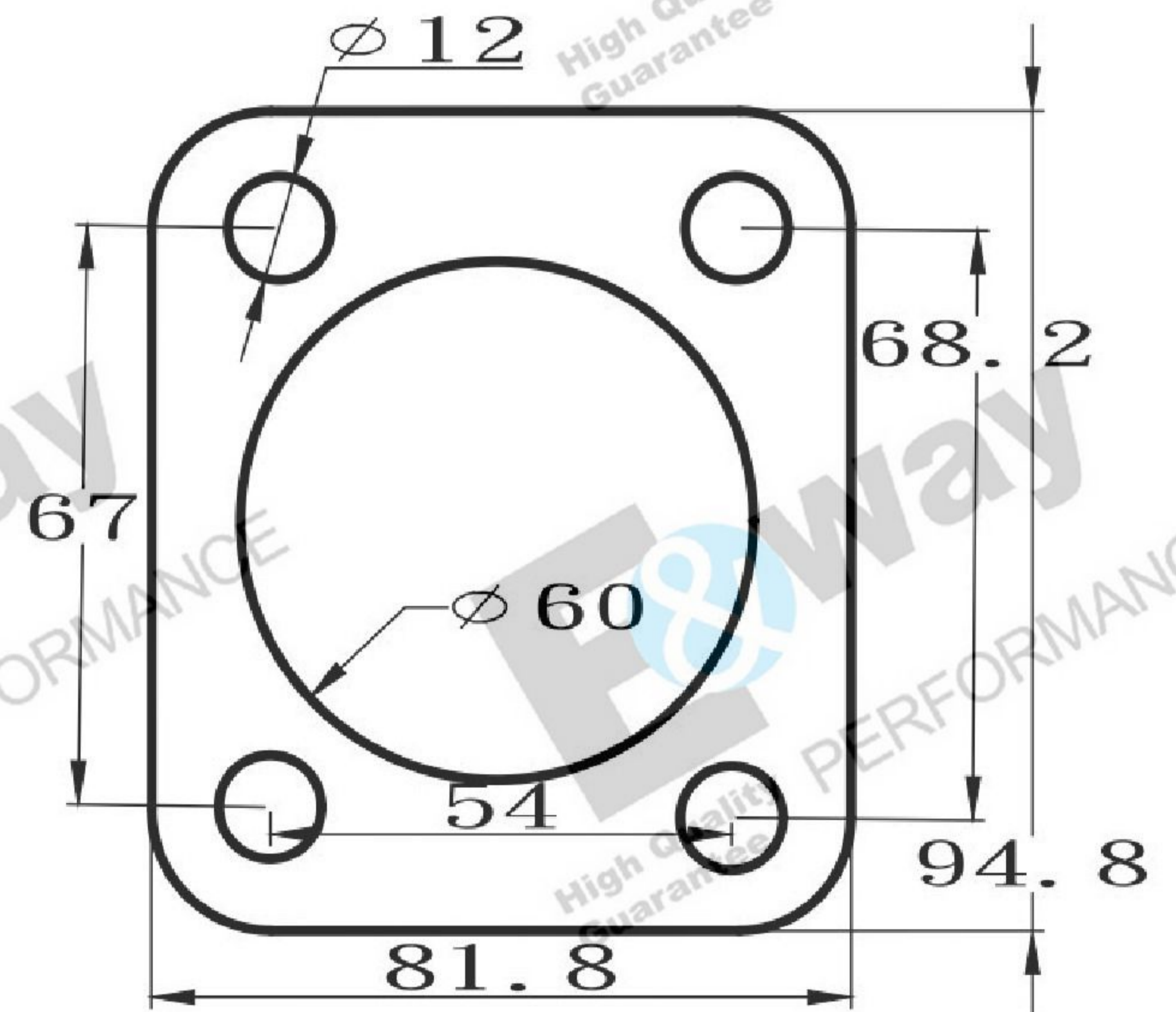
Bolt Circle=79.2/mm(3.11")

Bolt Hole=8.7/mm(0.34")

Thickness=1.6~2.0/mm(0.06"~0.08")

Material:Steel(Mixed Asbestos Free)+Stainless Steel(Hole)+Steel(MoS2 Coated)

EP4-025



Inside Diameter(ID)=60/mm(2.36")

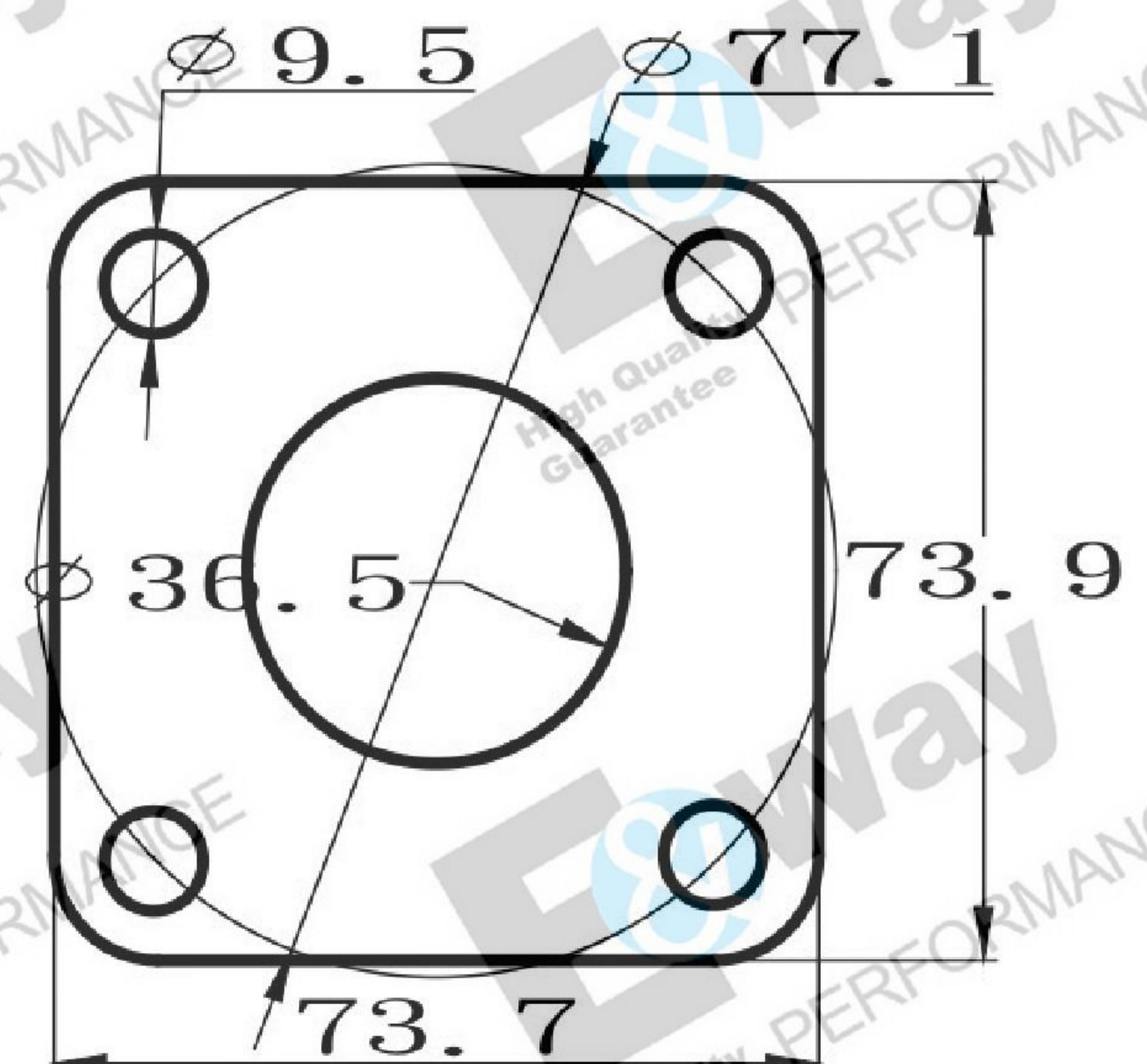
Bolt To Bolt=67/mm(2.63")68.2/mm(2.68")

Bolt Hole=12/mm(0.47")

Thickness=1.6~2.0/mm(0.06"~0.08")

Material:Steel(Mixed Asbestos Free)

EP4-026



Inside Diameter(ID)=36.5/mm(1.43")

Bolt Circle=77.1/mm(3.05")

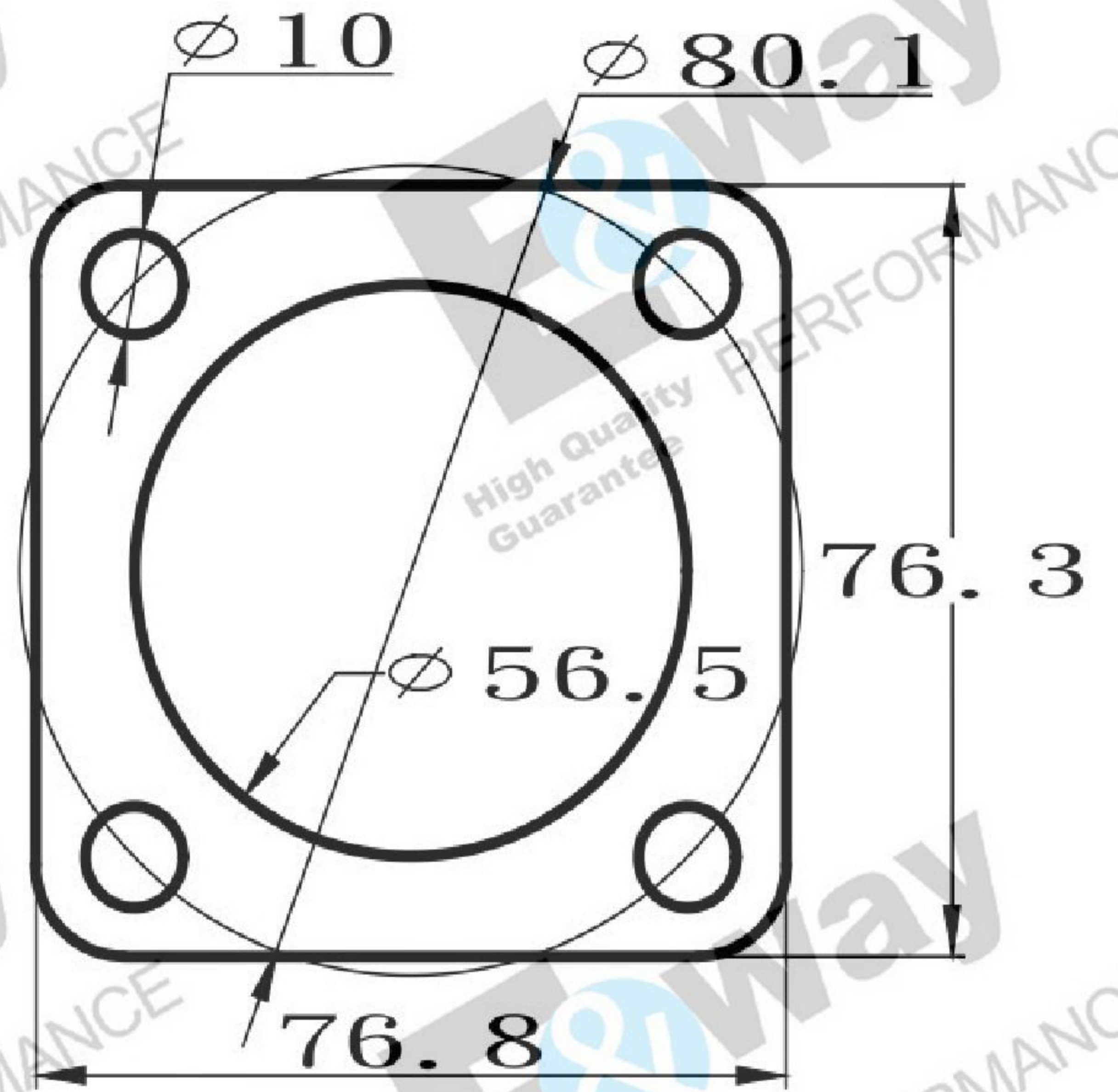
Bolt Hole=9.5/mm(0.37")

Thickness=1.6~2.0/mm(0.06"~0.08")

Material:Steel(Mixed Asbestos Free)

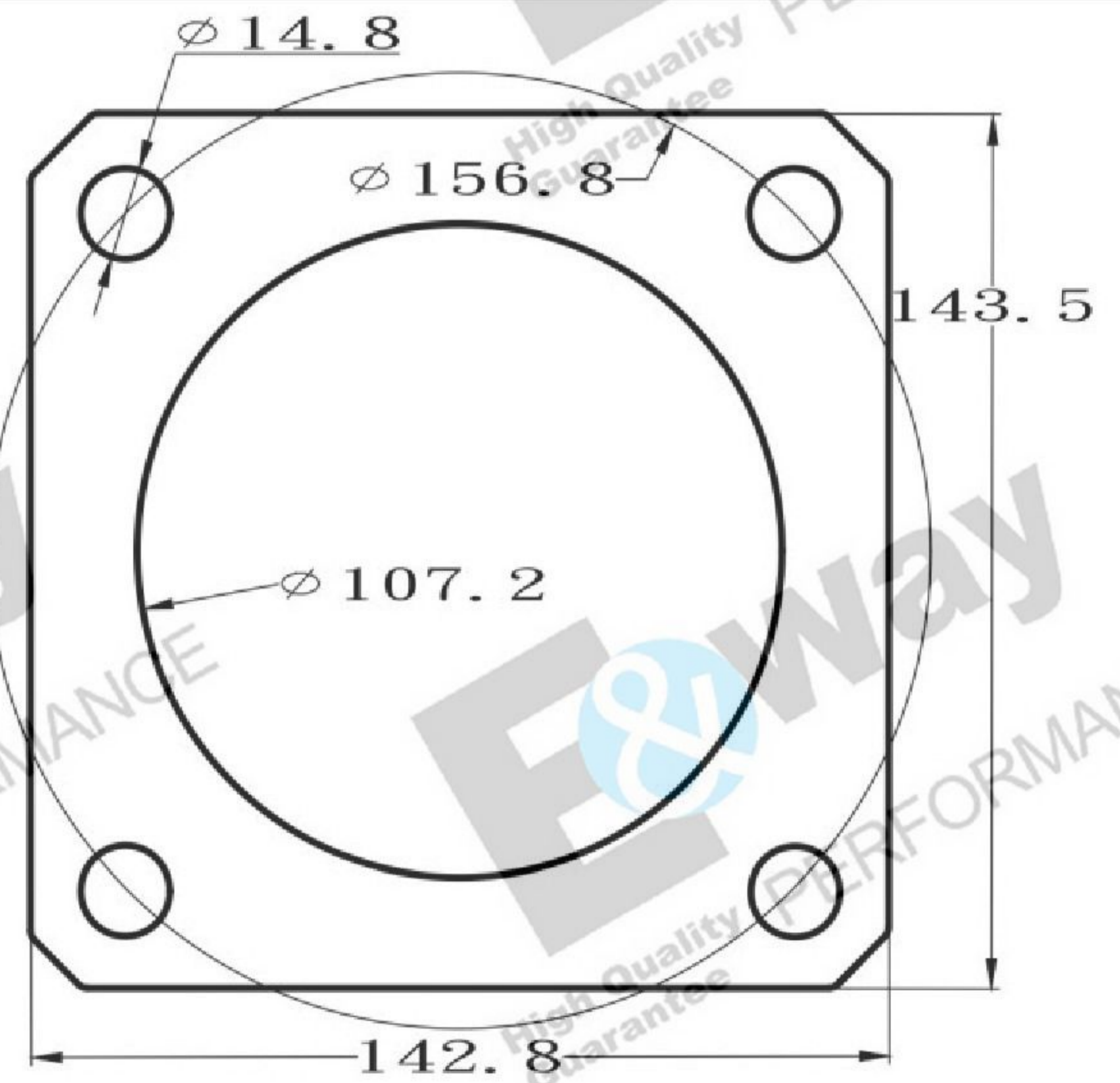
EP4-027

4-Bolt Exhaust Flange/Muffler/Pipe Gasket P10



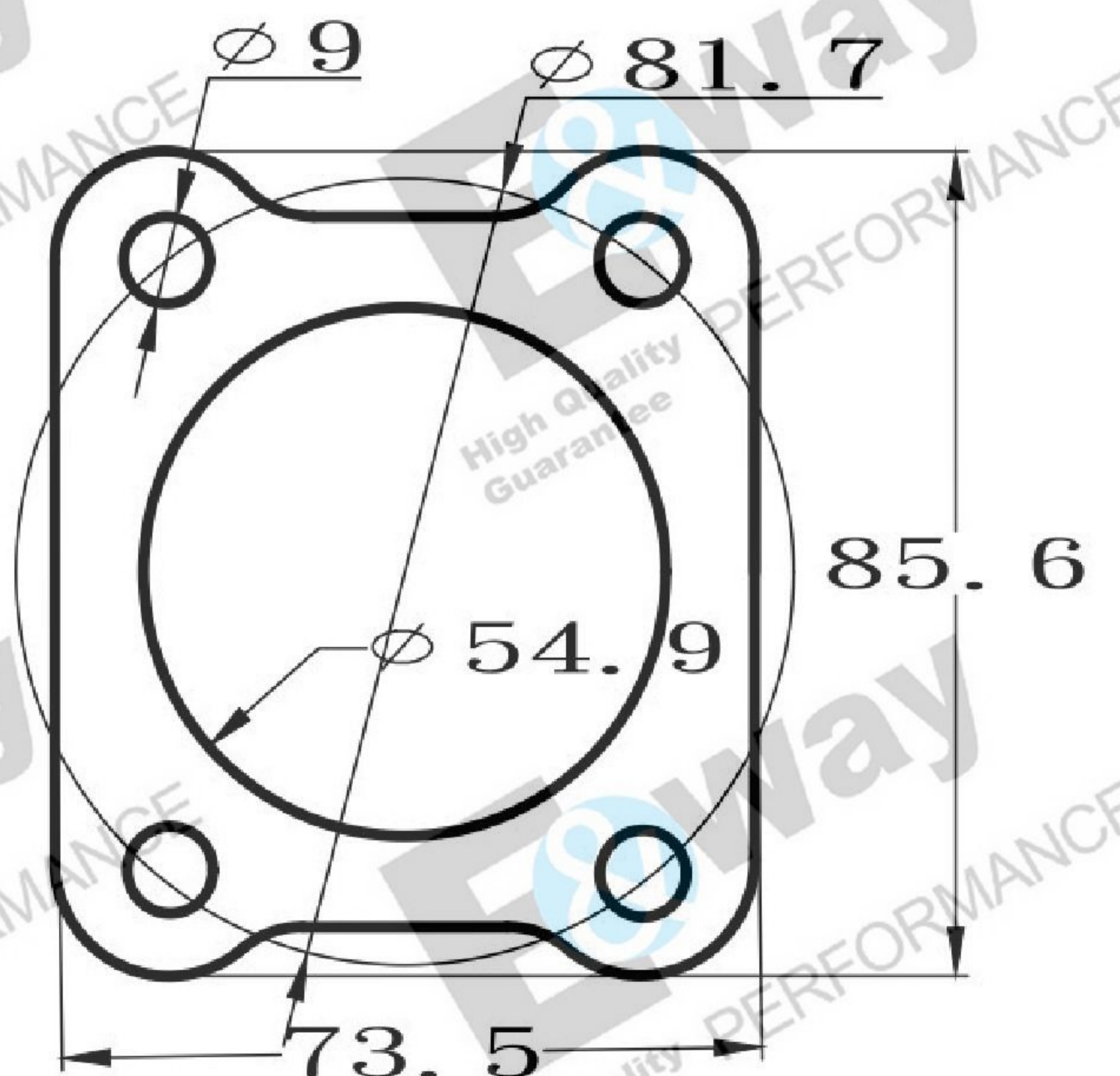
Inside Diameter(ID)=56.5/mm(2.22")
Bolt Circle=80.1/mm(3.15")
Bolt Hole=10/mm(0.39")
Thickness=1.6~2.0/mm(0.06"~0.08")
Material:Steel(Mixed Asbestos Free)

EP4-028



Inside Diameter(ID)=107.2/mm(4.22")
Bolt Circle=156.8/mm(6.17")
Bolt Hole=14.8/mm(0.58")
Thickness=1.6~2.0/mm(0.06"~0.08")
Material:Steel(Mixed Asbestos Free)+Stainless Steel(Hole)

EP4-029

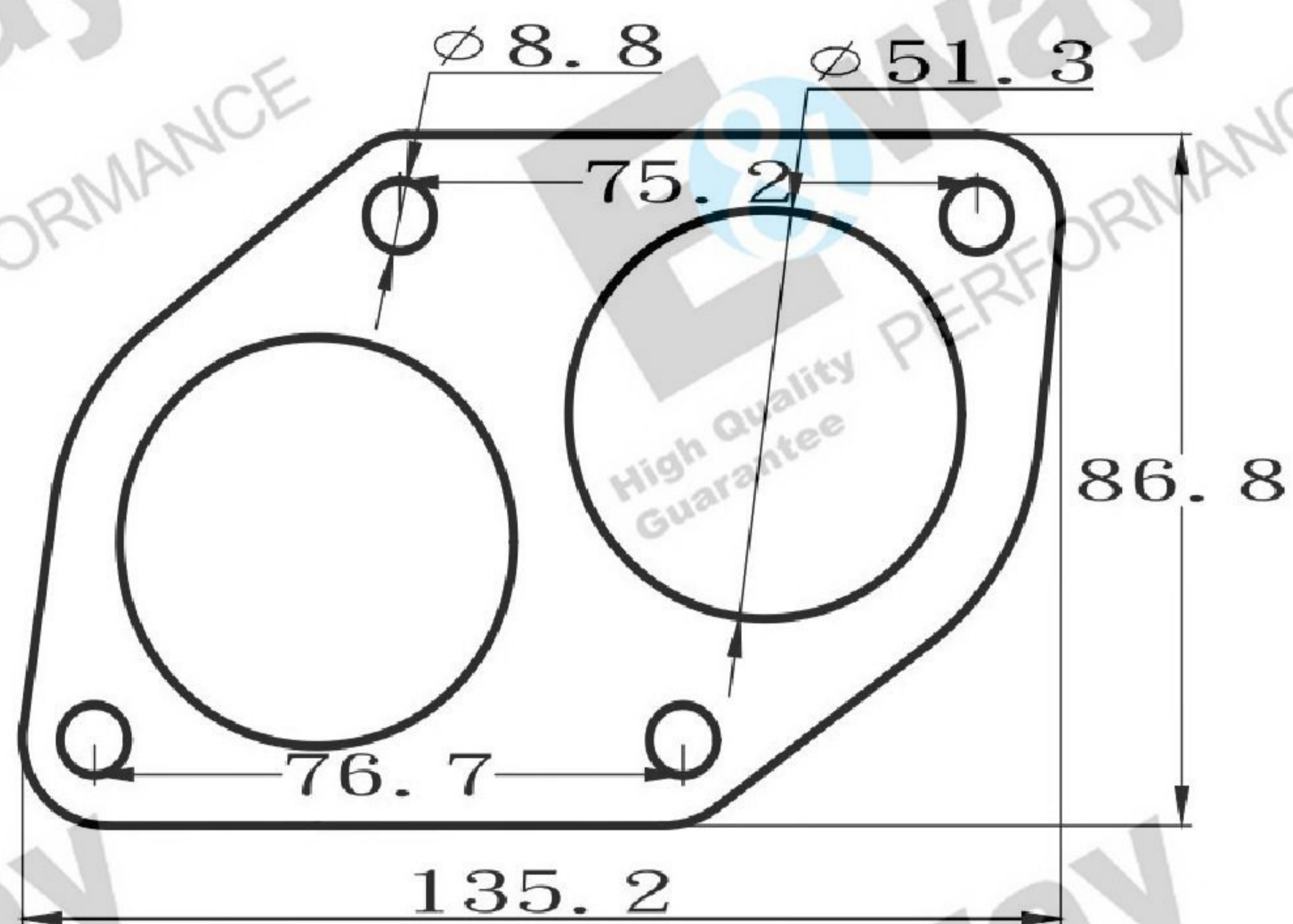


Inside Diameter(ID)=54.9/mm(2.16")
Bolt Circle=81.7/mm(3.21")
Bolt Hole=9/mm(0.35")
Thickness=1.6~2.0/mm(0.06"~0.08")
Material:Steel(Mixed Asbestos Free)

EP4-030

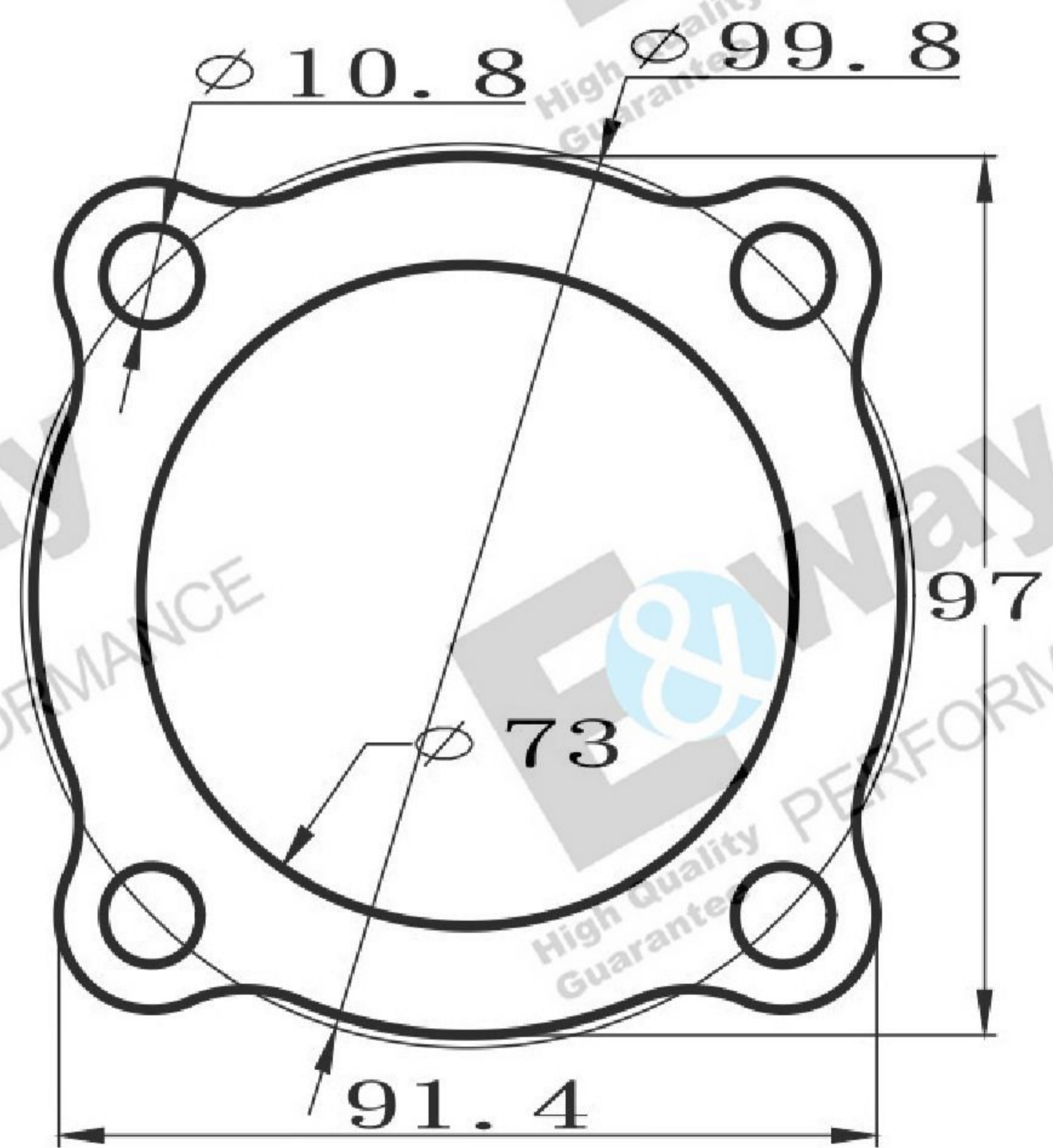
4-Bolt Exhaust Flange/Muffler/Pipe Gasket P11

P11



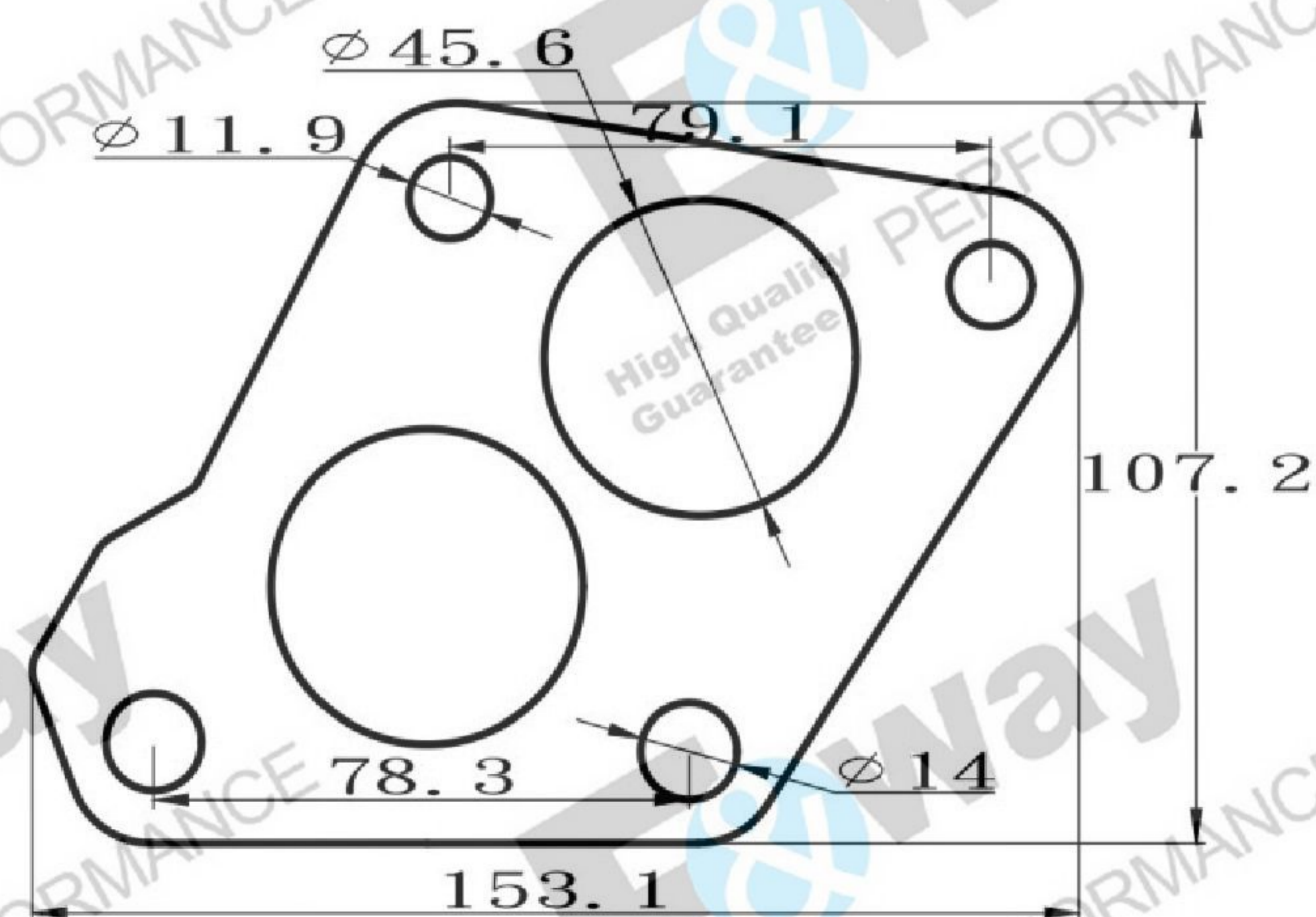
Inside Diameter(ID)=51.3/mm(2.01")
 Bolt to Bolt=75.2/mm(2.96")76.7/mm(3.01")
 Bolt Hole=8.8/mm(0.34")
 Thickness=1.6~2.0/mm(0.06"~0.08")
 Material:Steel(Mixed Asbestos Free)

EP4-031



Inside Diameter(ID)=73/mm(2.87")
 Bolt Circle=99.8/mm(3.92")
 Bolt Hole=10.8/mm(0.42")
 Thickness=0.77/mm(0.03")
 Material:Steel(3-Layer)

EP4-032

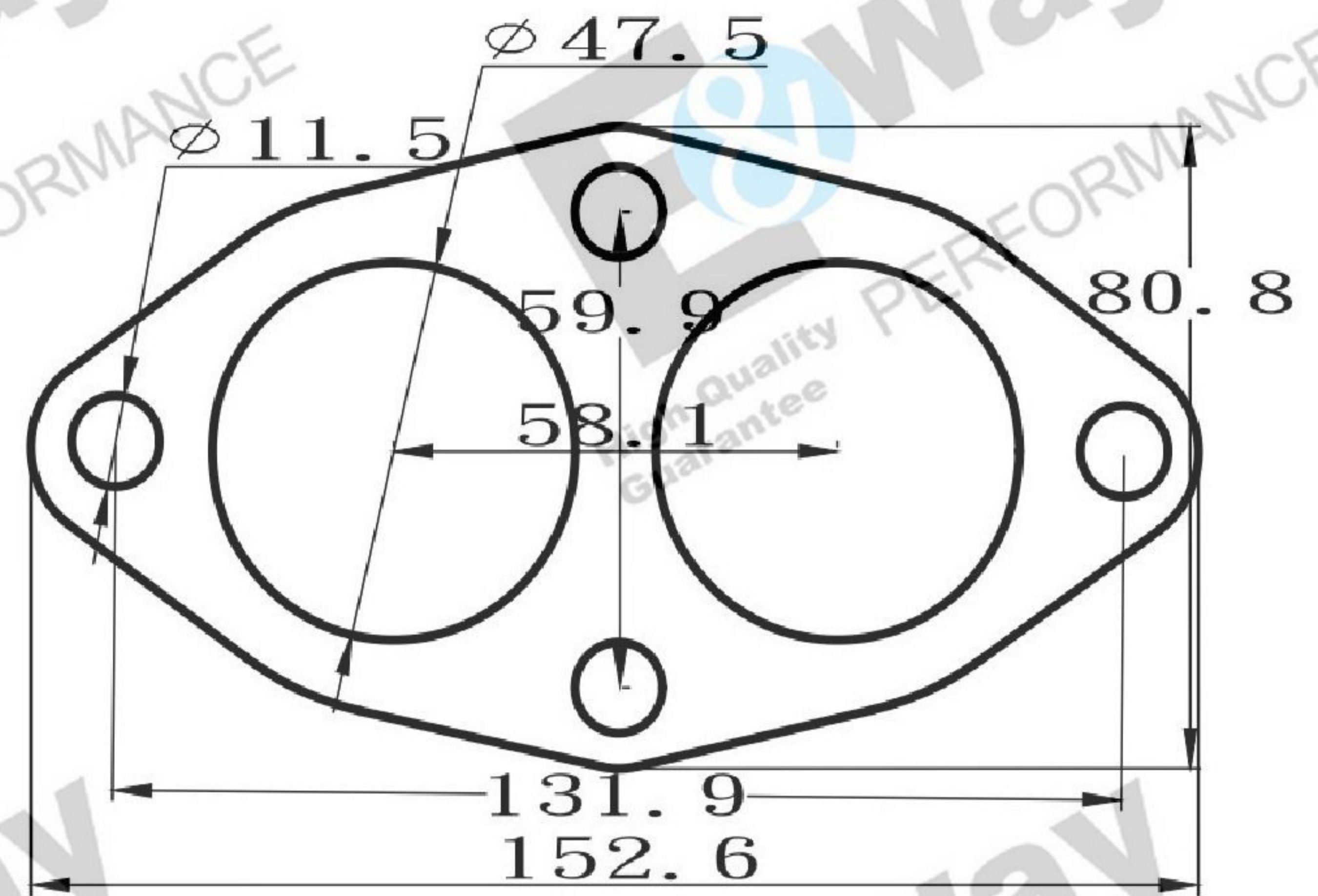


Inside Diameter(ID)=45.6/mm(2.18")
 Bolt To Bolt=79.1/mm(3.11")78.3/mm(3.08")
 Bolt Hole=11.9/mm(0.46")
 Thickness=1.6~2.0/mm(0.06"~0.08")
 Material:Steel(Mixed Asbestos Free)

EP4-033

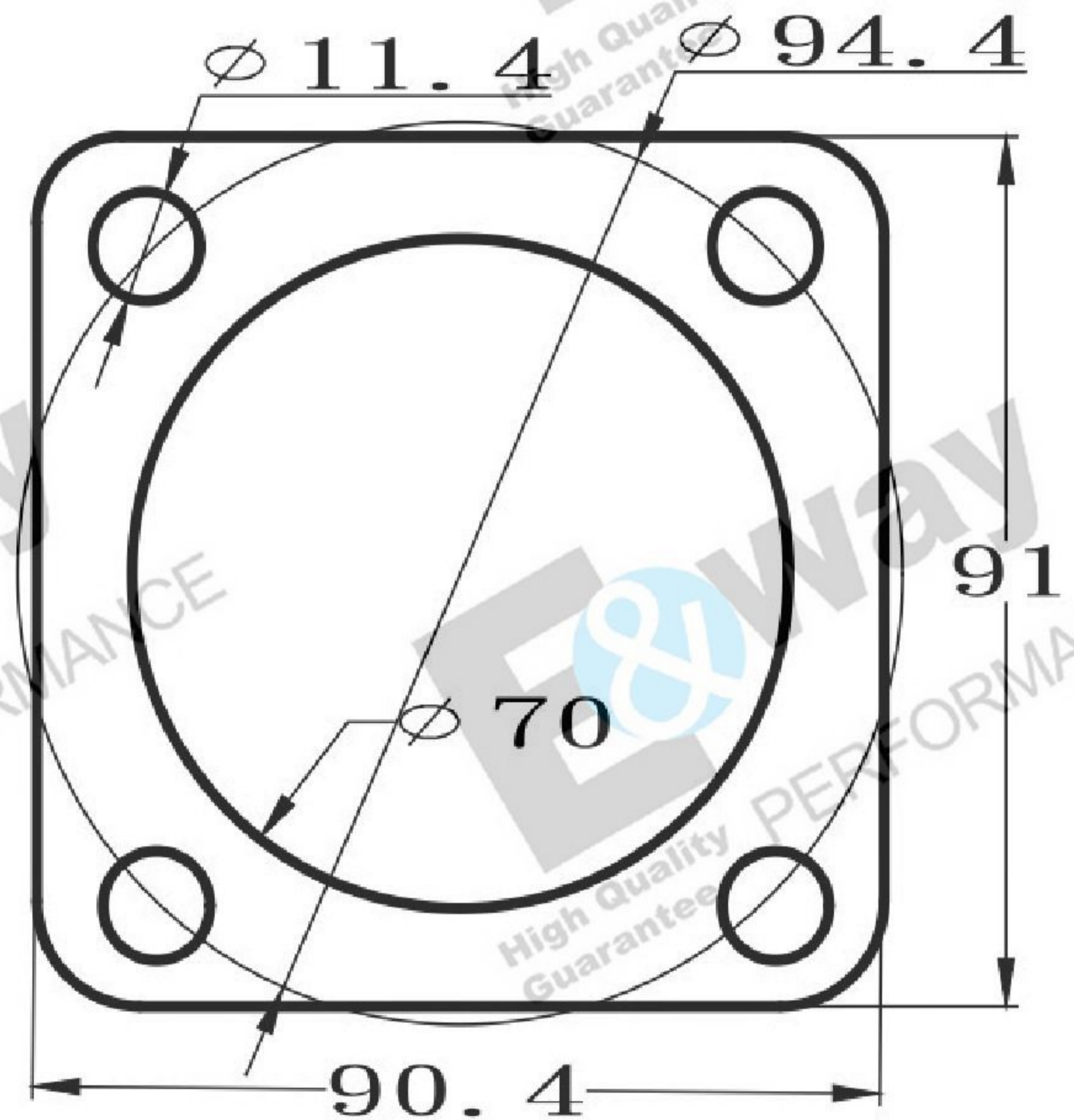
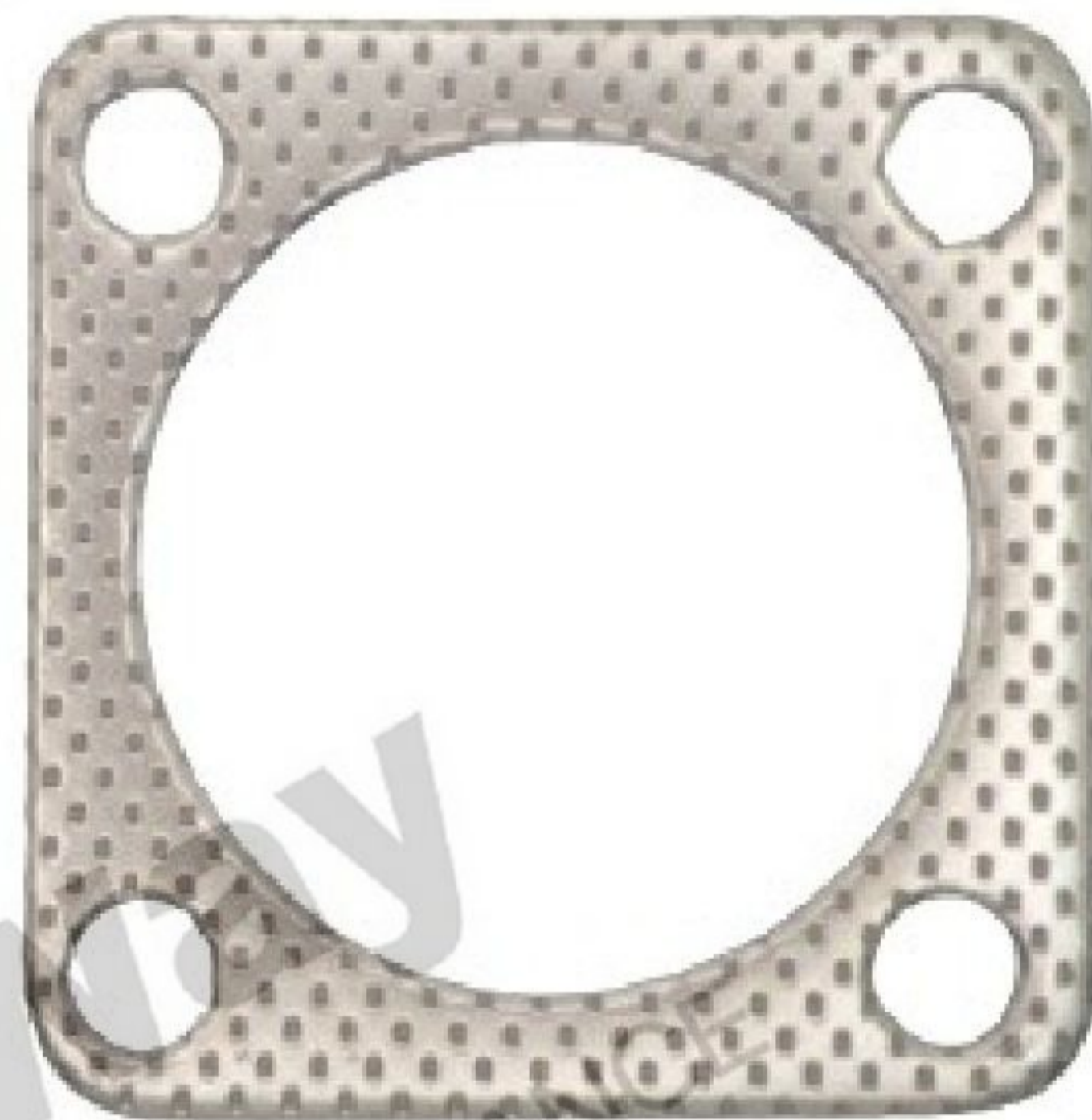
4-Bolt Exhaust Flange/Muffler/Pipe Gasket P12

P12



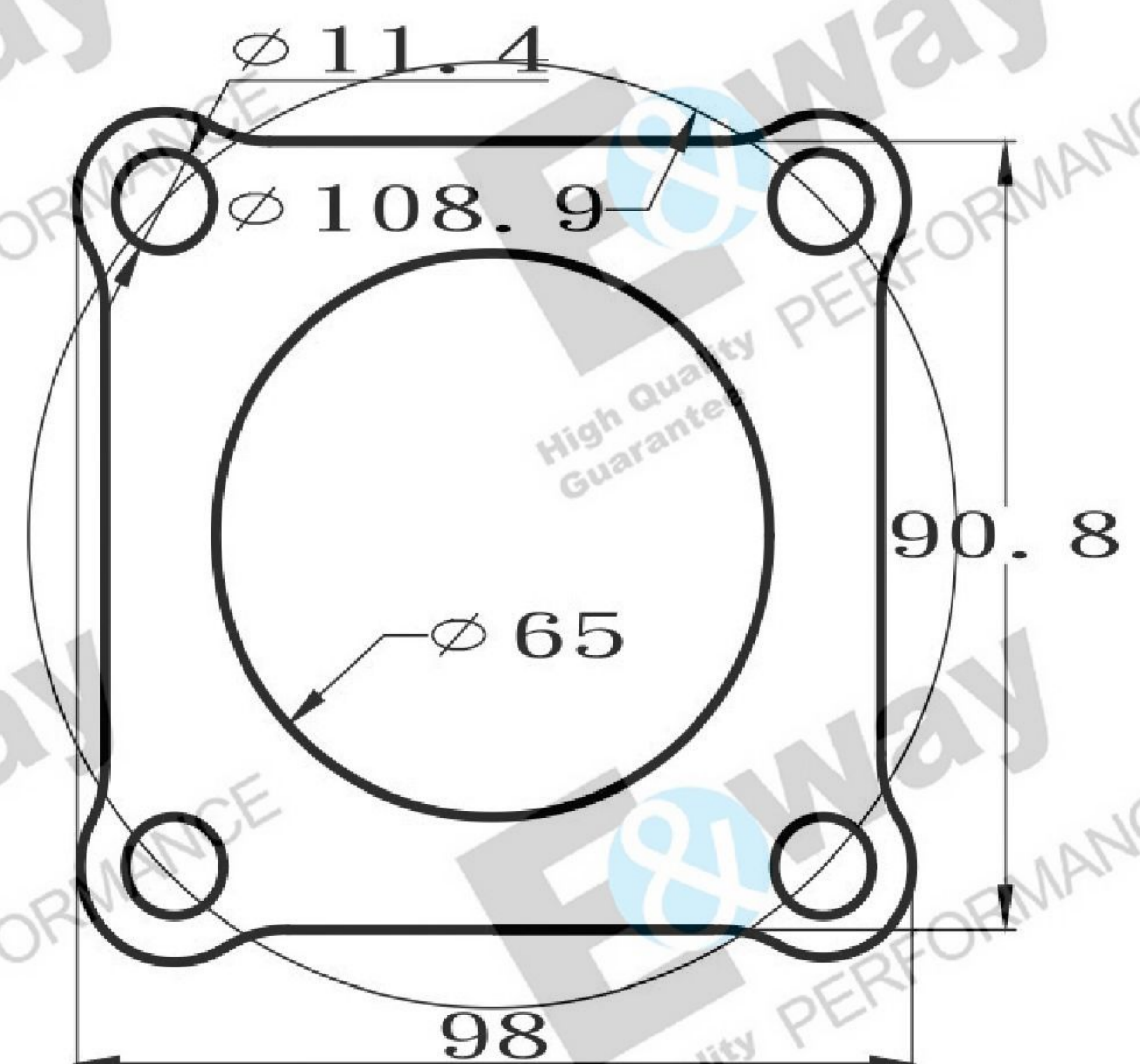
Inside Diameter(ID)=47.5/mm(1.87")
 Bolt To Bolt=131.9/mm(5.19") 59.9/mm(2.35")
 Bolt Hole=11.5/mm(0.45")
 Thickness=1.6~2.0/mm(0.06"~0.08")
 Material:Steel(Mixed Asbestos Free)

EP4-034



Inside Diameter(ID)=70/mm(2.75")
 Bolt Circle=94.4/mm(3.71")
 Bolt Hole=11.4/mm(0.44")
 Thickness=1.6~2.0/mm(0.06"~0.08")
 Material:Steel(Mixed Asbestos Free)

EP4-035

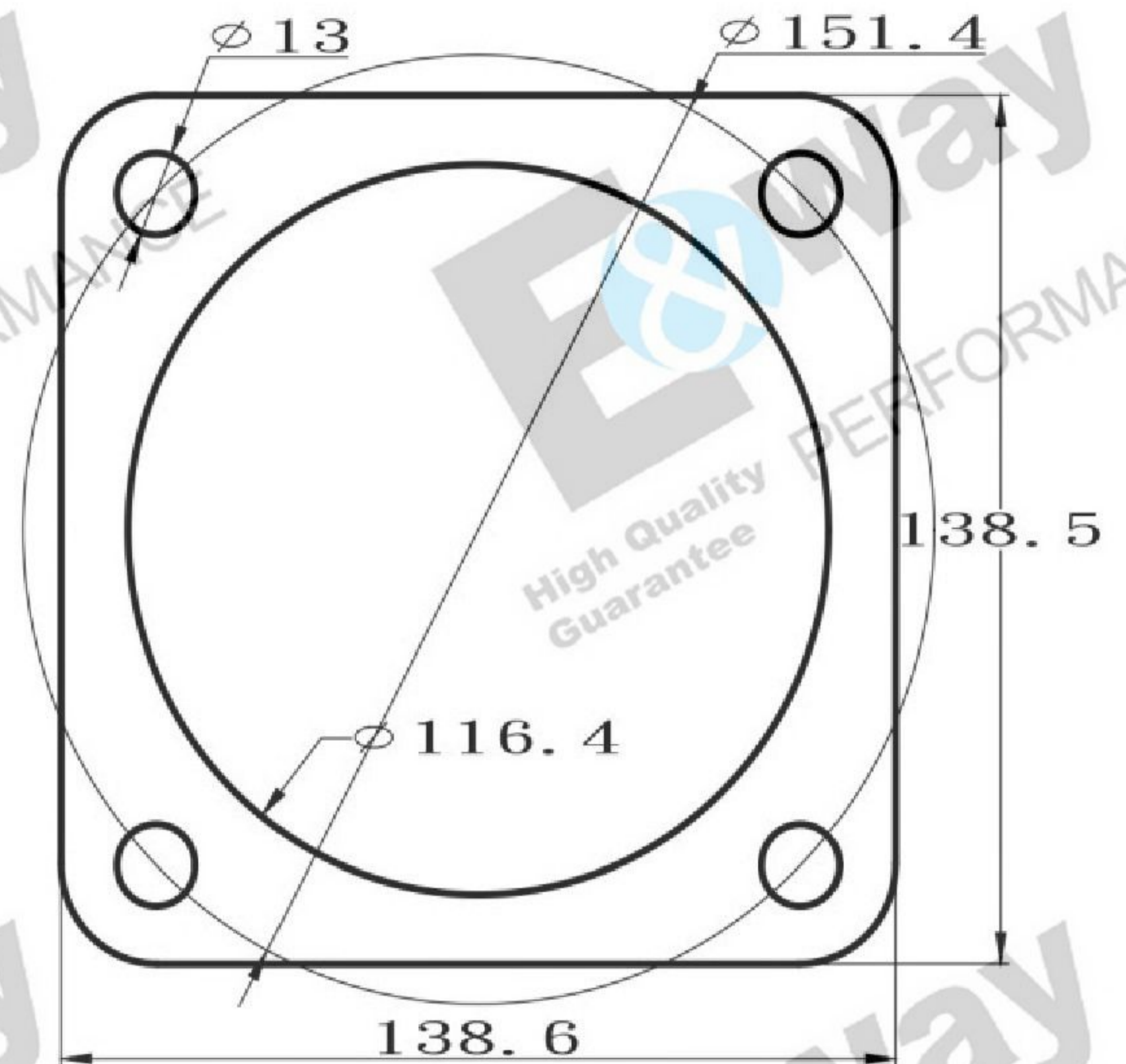


Inside Diameter(ID)=65/mm(2.55")
 Bolt Circle=108.9/mm(4.28")
 Bolt Hole=11.4/mm(0.44")
 Thickness=1.6~2.0/mm(0.06"~0.08")
 Material:Steel(Mixed Asbestos Free)

EP4-036

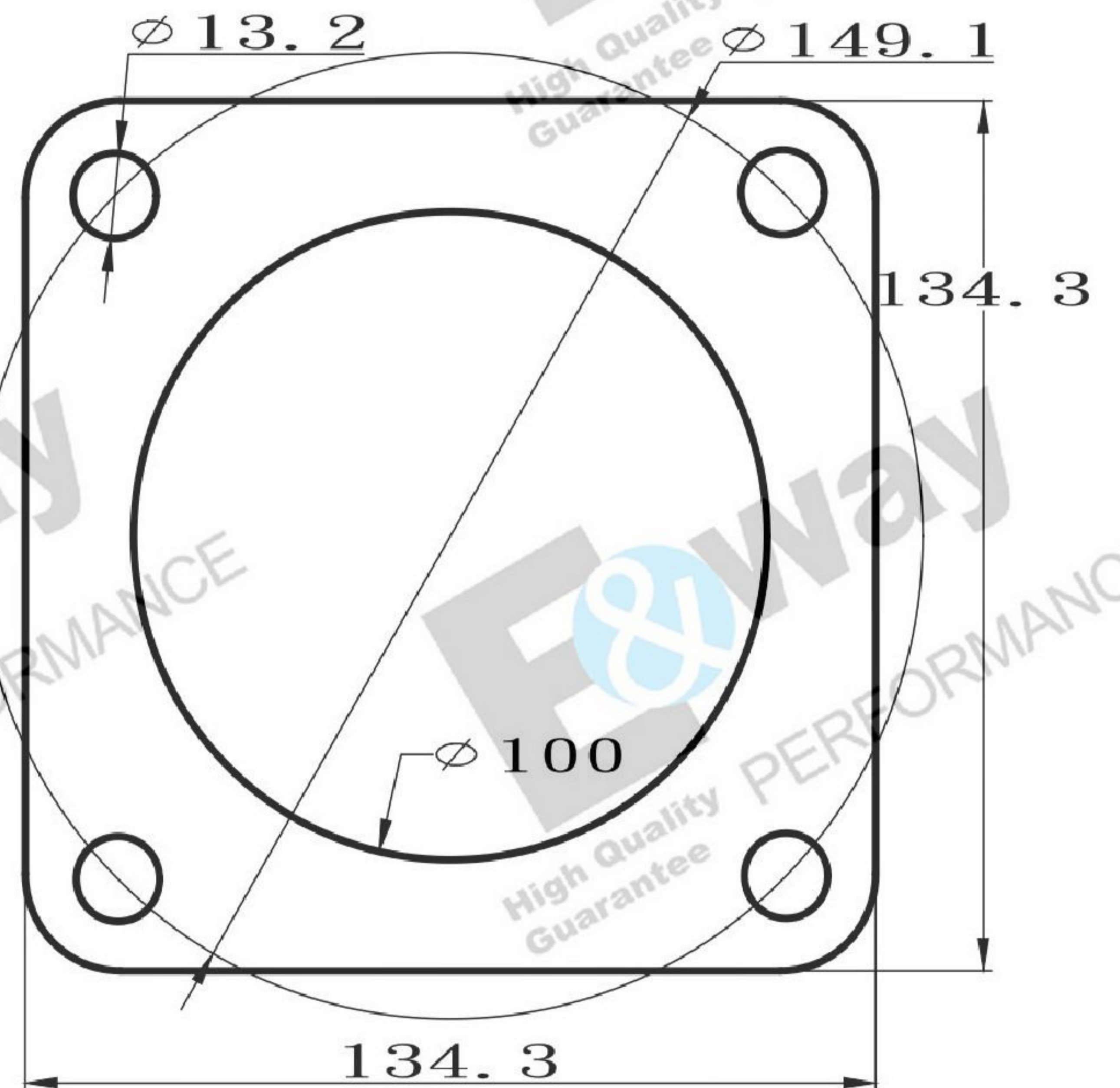
4-Bolt Exhaust Flange/Muffler/Pipe Gasket P13

P13



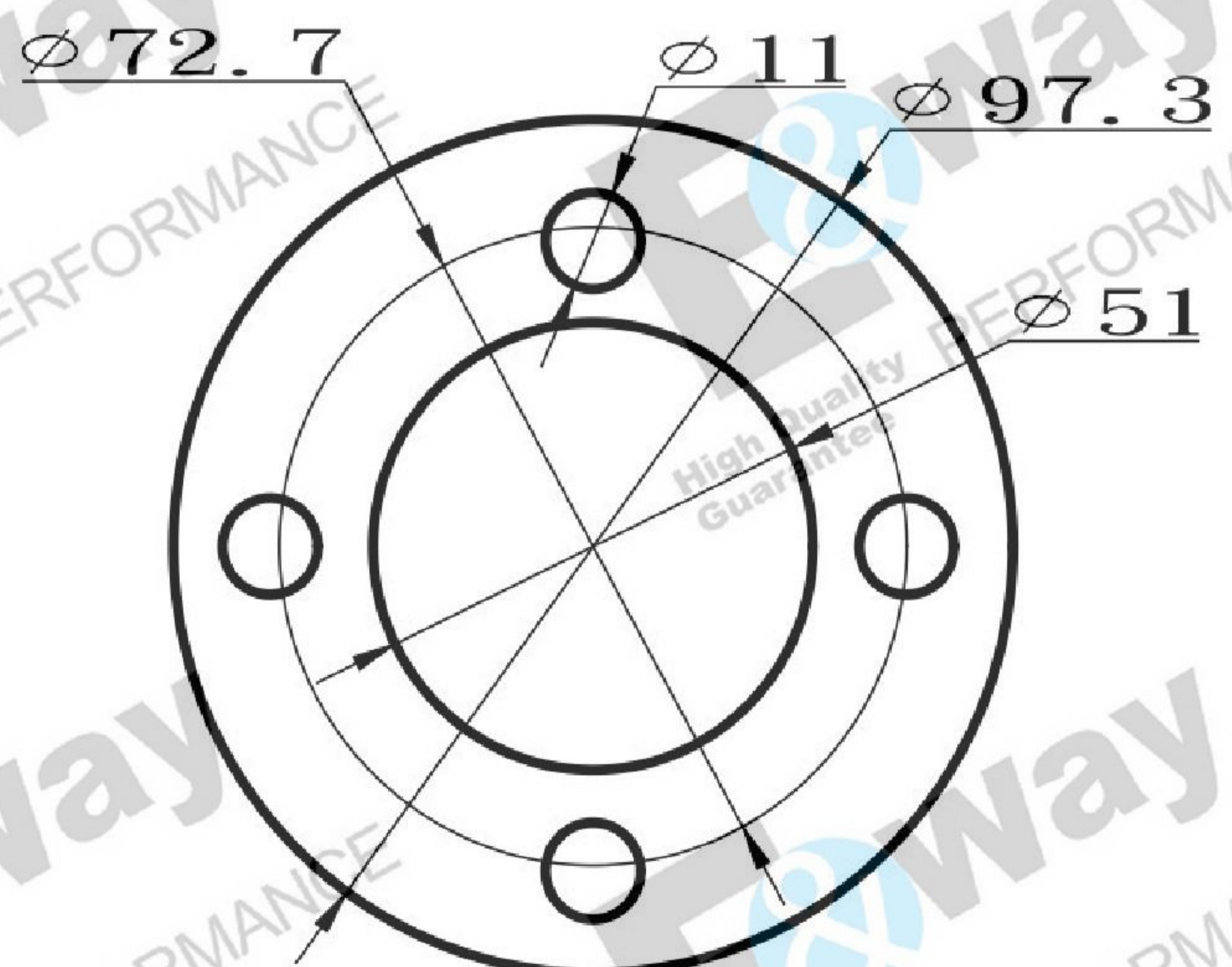
Inside Diameter(ID)=116.4/mm(4.58")
 Bolt Circle=151.4/mm(5.96")
 Bolt Hole=13/mm(0.51")
 Thickness=1.6~2.0/mm(0.06"~0.08")
 Material:Steel(Mixed Asbestos Free)+Stainless Steel(Hole)

EP4-037



Inside Diameter(ID)=100/mm(3.93")
 Bolt Circle=149.1/mm(5.87")
 Bolt Hole=13.2/mm(0.51")
 Thickness=2.0/mm(0.08")
 Material:Stainless Steel(5-Layer)

EP4-038

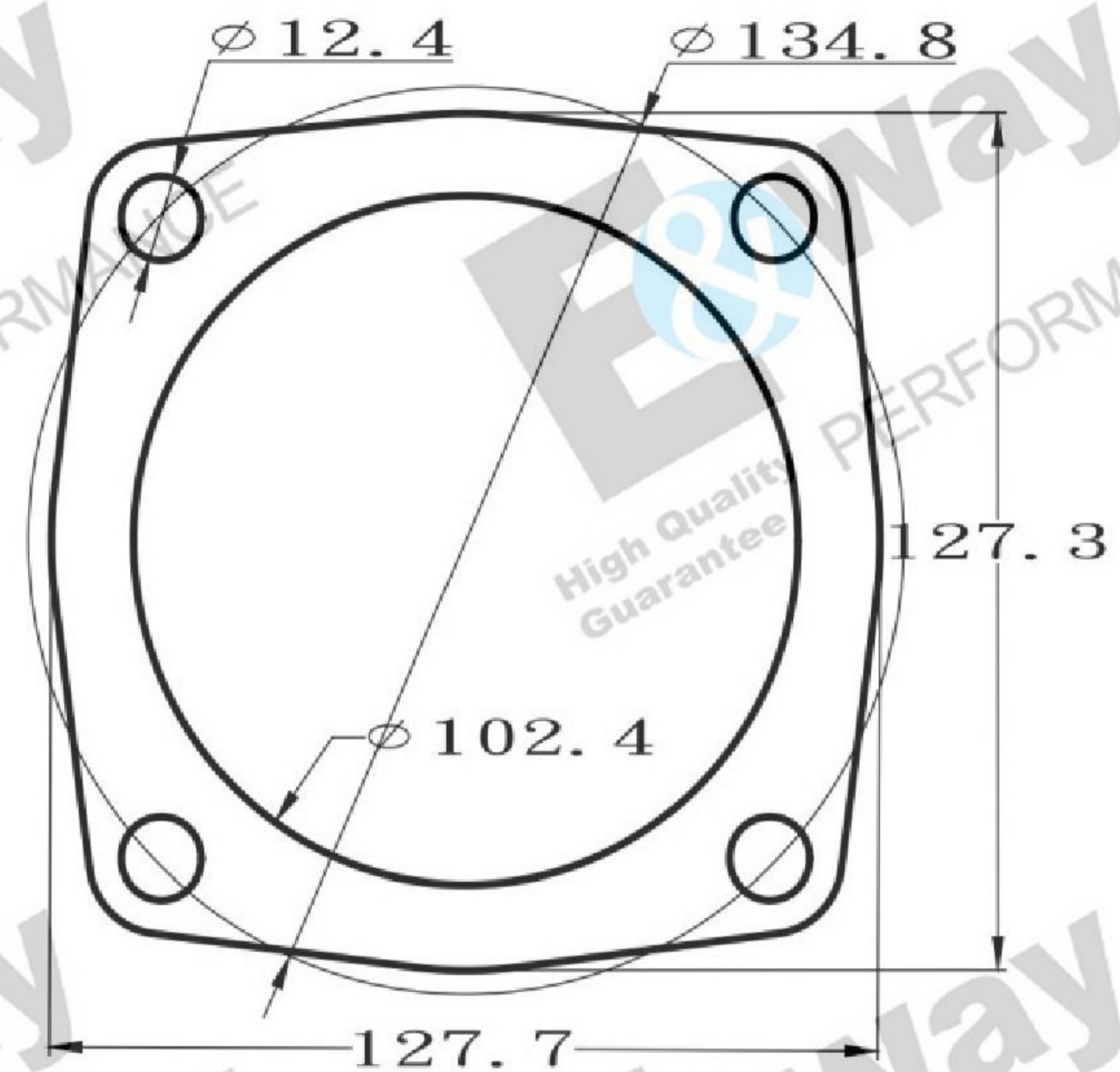


Inside Diameter(ID)=51/mm(2.01")
 Outside Diameter(OD)=97.3/mm(3.83")
 Bolt Circle=72.7/mm(2.86")
 Bolt Hole=11/mm(0.43")
 Thickness=1.6~2.0/mm(0.06"~0.08")
 Material:Steel+Graphite(Mixed Steel)+Steel+Stainless Steel(Hole)

EP4-039

4-Bolt Exhaust Flange/Muffler/Pipe Gasket P14

P14



Inside Diameter(ID)=102.4/mm(4.03")

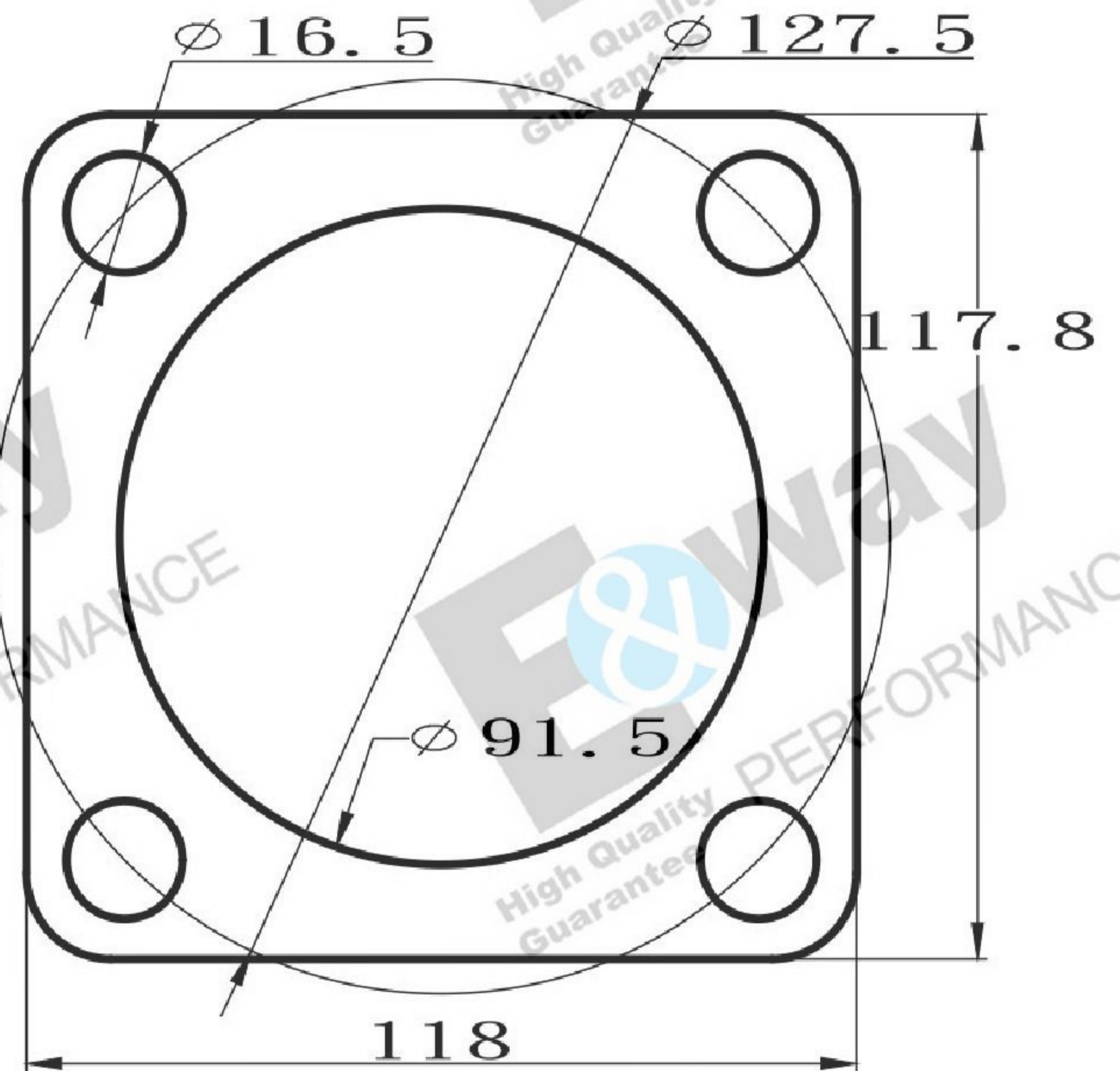
Bolt Circle=134.8/mm(5.3")

Bolt Hole=12.4/mm(0.48")

Thickness=1.6~2.0/mm(0.06"~0.08")

Material:Steel(Mixed Asbestos Free)+Stainless Steel(Hole)

EP4-040



Inside Diameter(ID)=91.5/mm(3.6")

Bolt Circle=127.5/mm(5")

Bolt Hole=16.5/mm(0.64")

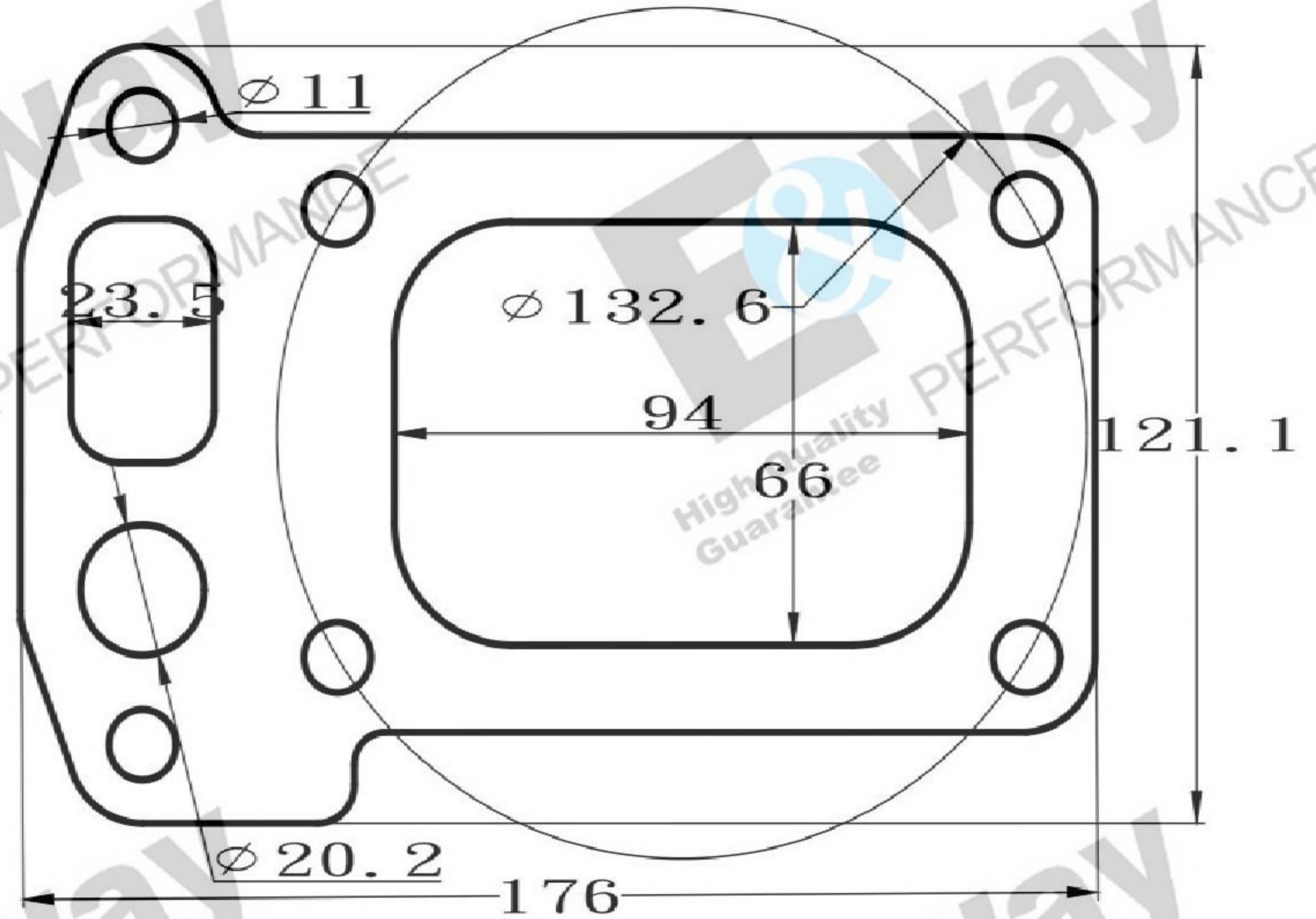
Thickness=1.6~2.0/mm(0.06"~0.08")

Material:Steel(Mixed Asbestos Free)

EP4-041

Other-Bolt Exhaust Flange/Muffler/Pipe Gasket P1

P1



Length=176/mm(6.92")

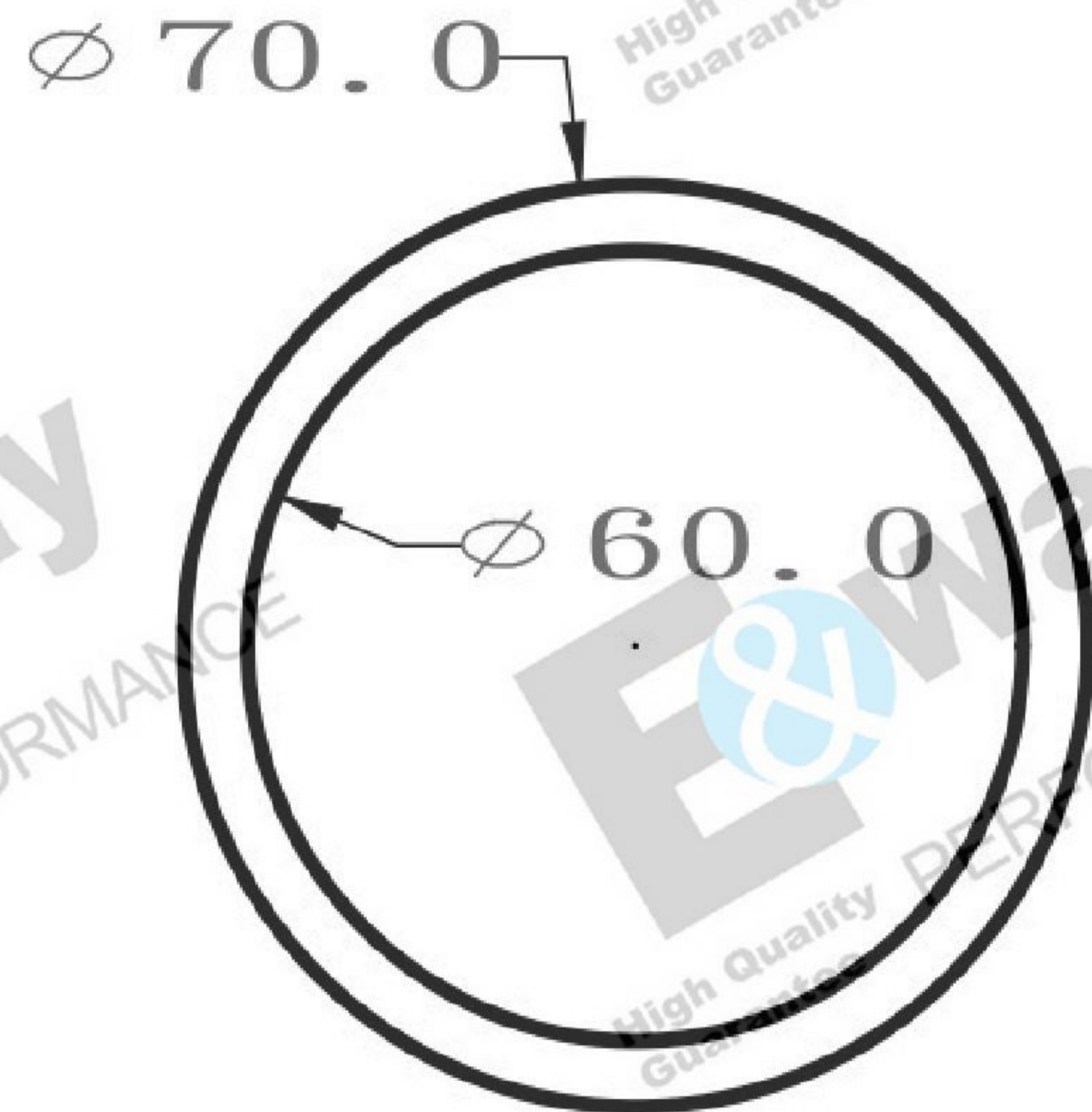
Width=121.1/mm(4.76")

Bolt Hole=11/mm(0.43")

Thickness=1.6~2.0/mm(0.06"~0.08")

Material:Graphite(Mixed Steel)+Stainless Steel(Hole)+Silicone Coated

EPO-001



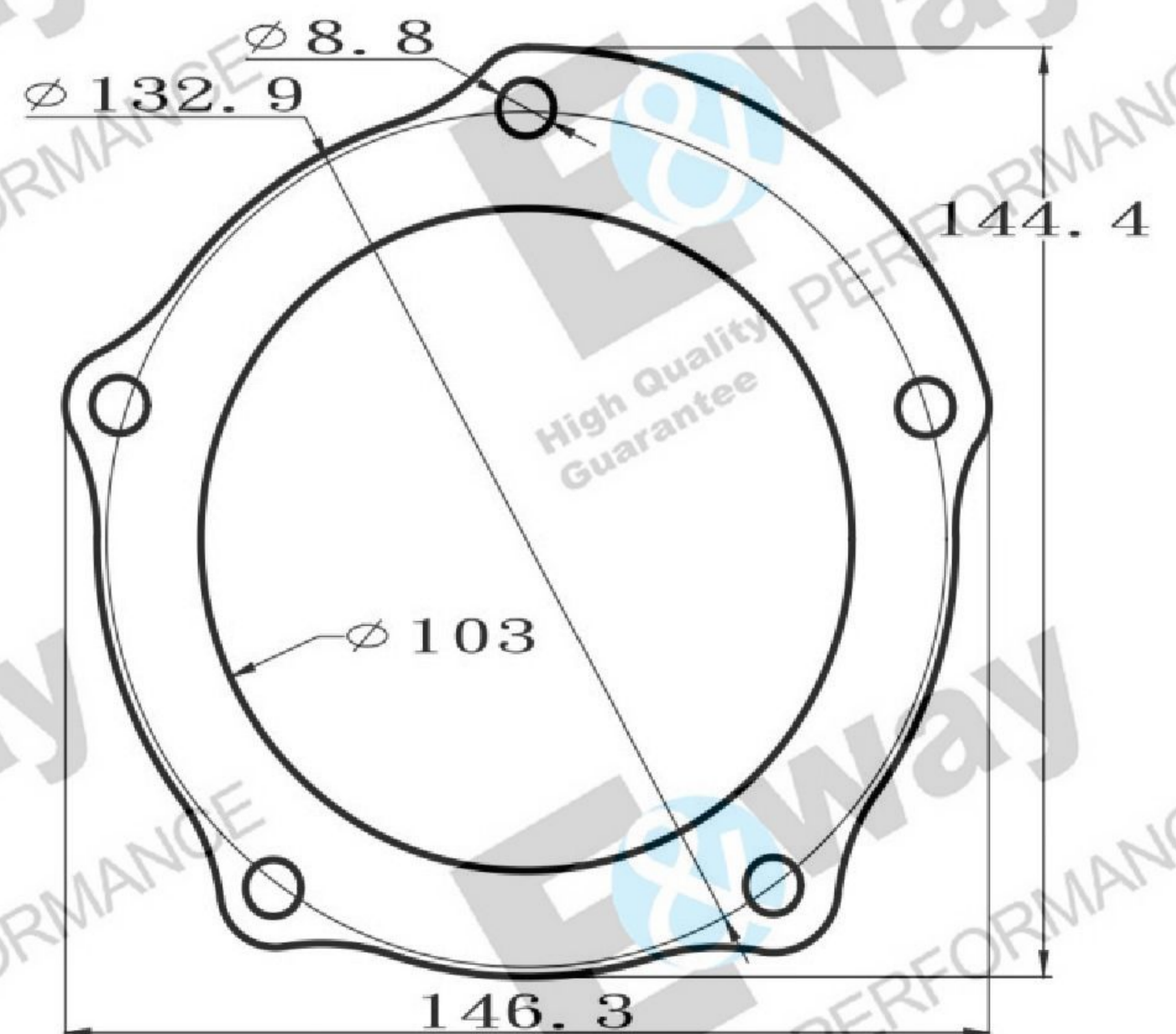
Inside Diameter(ID)=60/mm(2.36")

Outside Diameter(OD)=70/mm(2.76")

Thickness=1.6~2.0/mm(0.06"~0.08")

Material:Steel(Mixed Asbestos Free)

EPO-002



Inside Diameter(ID)=103/mm(4.05")

Bolt Circle=132.9/mm(5.23")

Bolt Hole=8.8/mm(0.34")

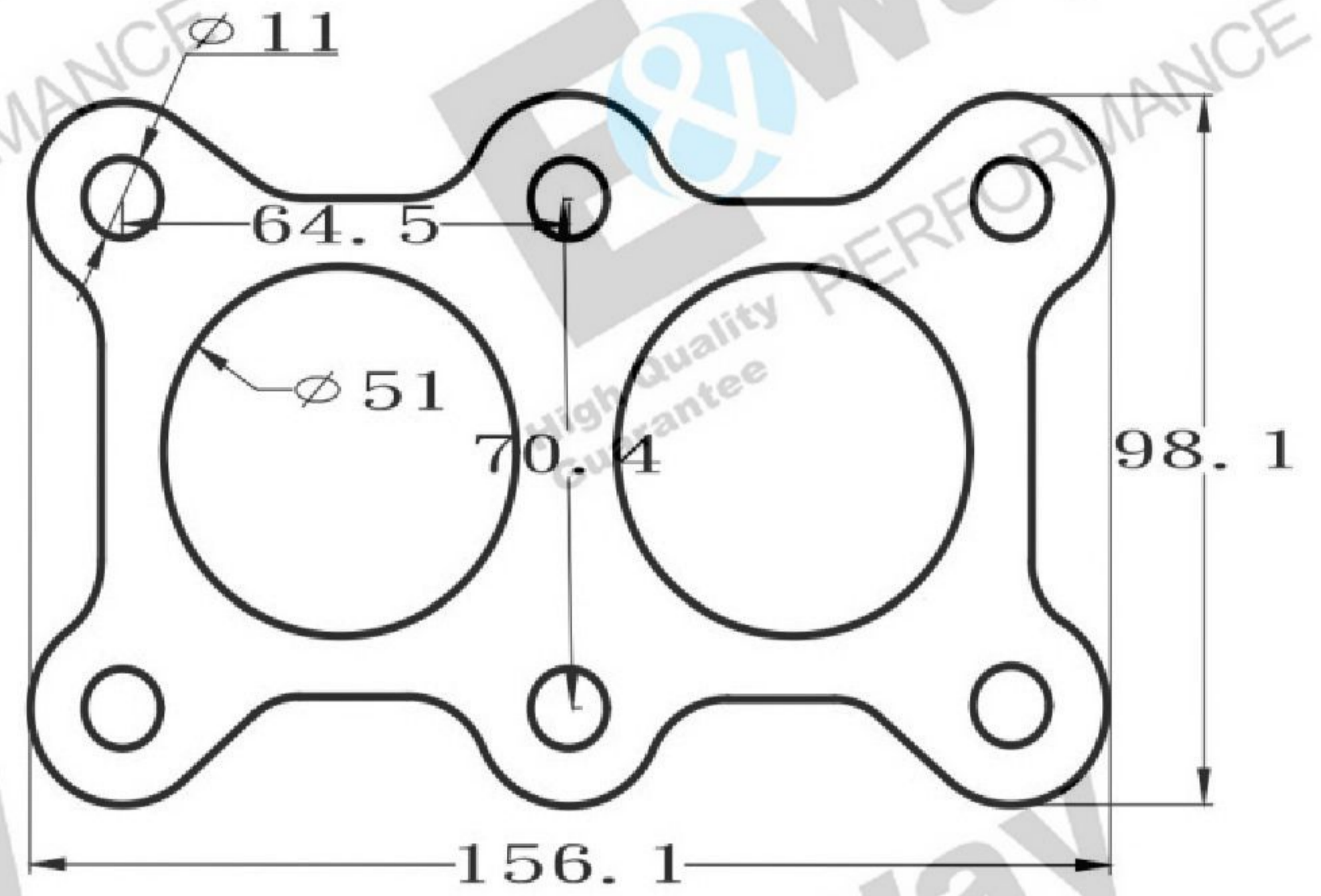
Thickness=1.6~2.0/mm(0.06"~0.08")

Material:Steel(Mixed Asbestos Free)

EPO-003

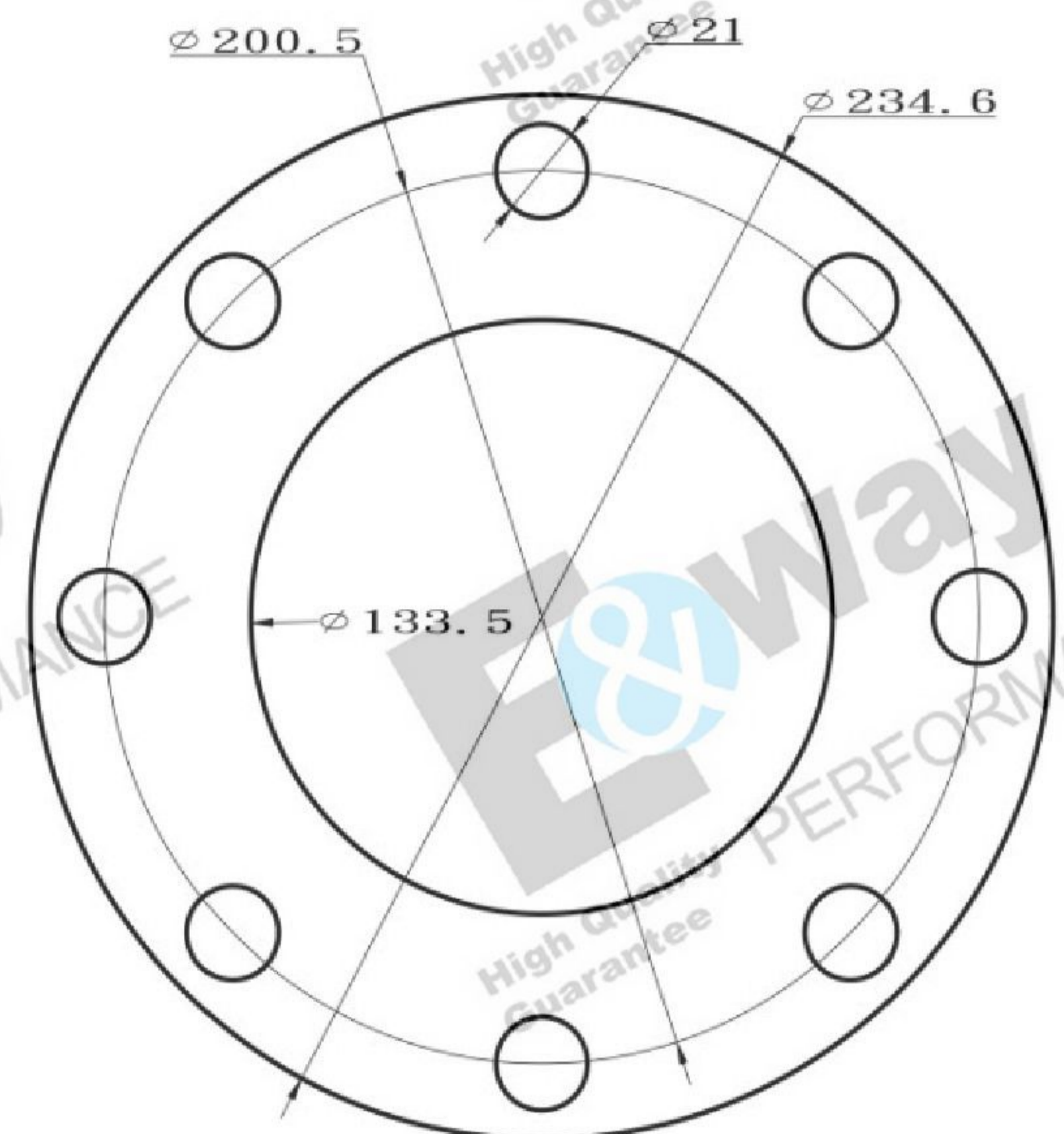
Other-Bolt Exhaust Flange/Muffler/Pipe Gasket P2

P2



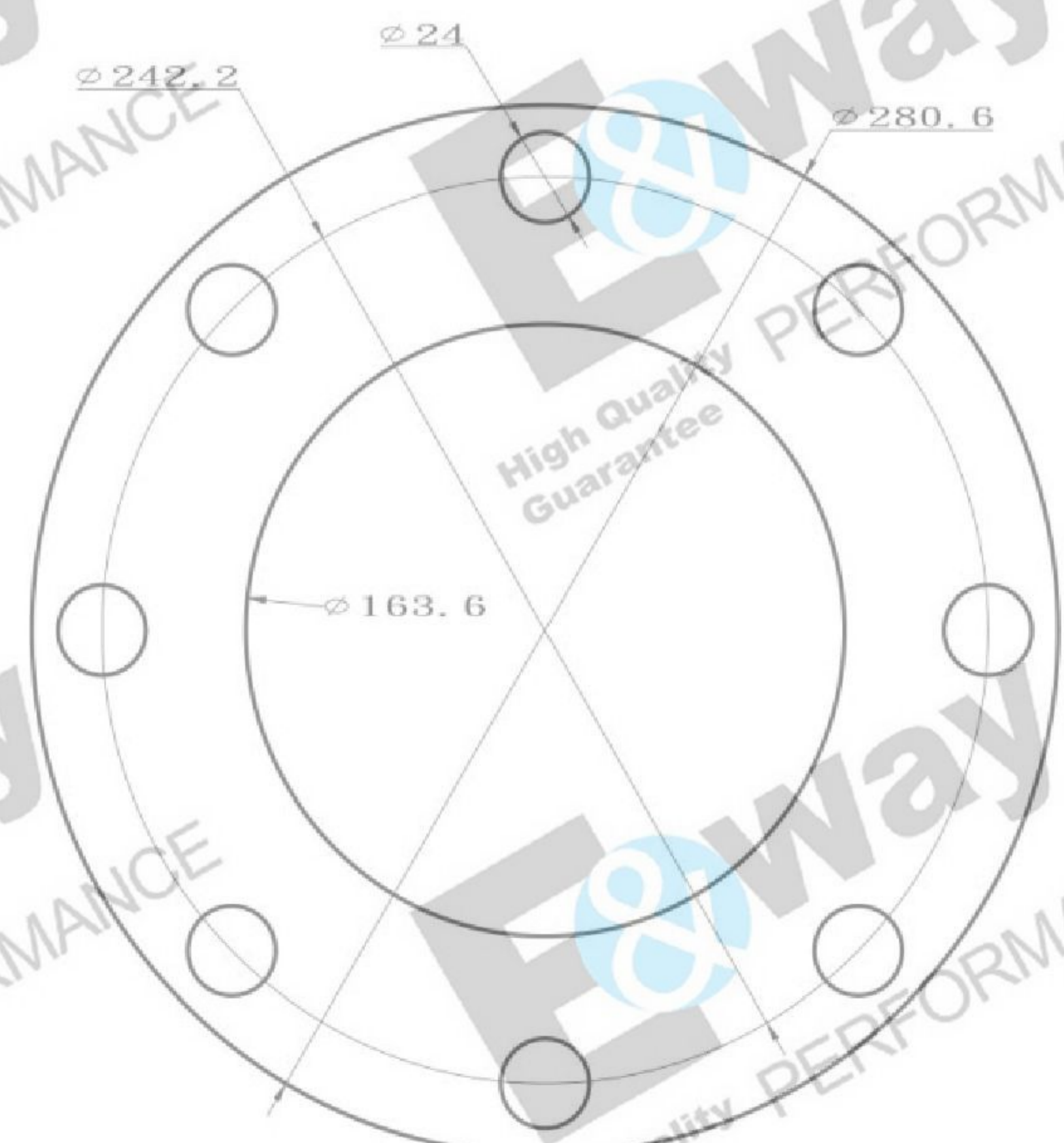
Inside Diameter(ID)=51/mm(2.00")
 Bolt To Bolt=64.5/mm(2.53")70.4/mm(2.77")
 Bolt Hole=11/mm(0.43")
 Thickness=1.6~2.0/mm(0.06"~0.08")
 Material:Steel(Mixed Asbestos Free)+Steel(2-Hole)

EPO-004



Inside Diameter(ID)=133.5/mm(5.25")
 Outside Diameter(OD)=234.6/mm(9.23")
 Bolt Circle=200.5/mm(7.89")
 Bolt Hole=21/mm(0.82")
 Thickness=1.6~2.0/mm(0.06"~0.08")
 Material:Graphite(Mixed Steel)

EPO-005



Inside Diameter(ID)=163.6/mm(6.44")
 Outside Diameter(OD)=280.6/mm(11.05")
 Bolt Circle=242.2/mm(9.53")
 Bolt Hole=24/mm(0.94")
 Thickness=1.6~2.0/mm(0.06"~0.08")
 Material:Graphite(Mixed Steel)

EPO-006

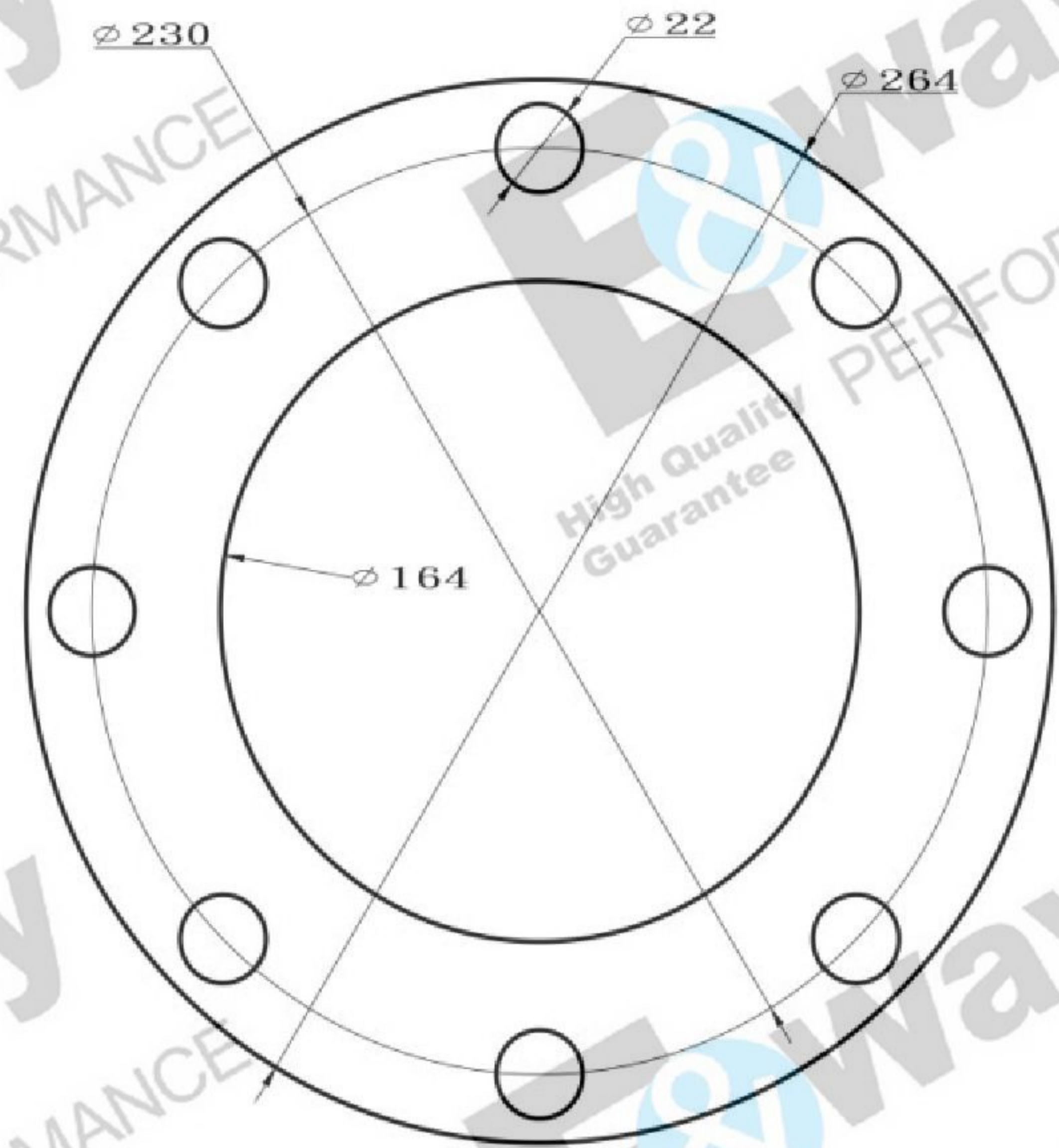
Other-Bolt Exhaust Flange/Muffler/Pipe Gasket

P3



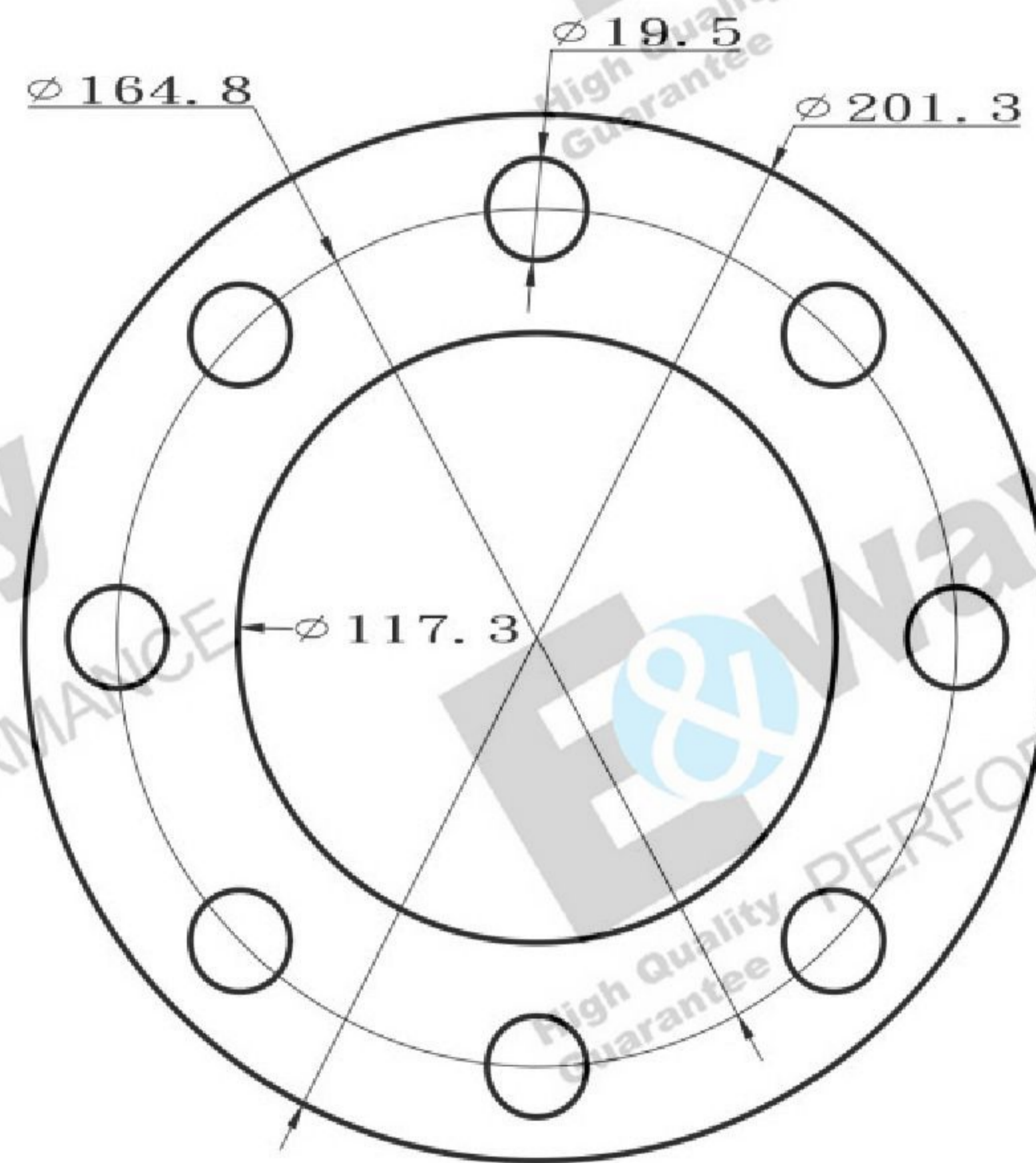
Inside Diameter(ID)=164/mm(6.45")
Outside Diameter(OD)=264/mm(10.39")
Bolt Circle=230/mm(9.05")
Bolt Hole=22/mm(0.86")
Thickness=1.6~2.0/mm(0.06"~0.08")
Material:Graphite(Mixed Steel)

EPO-007



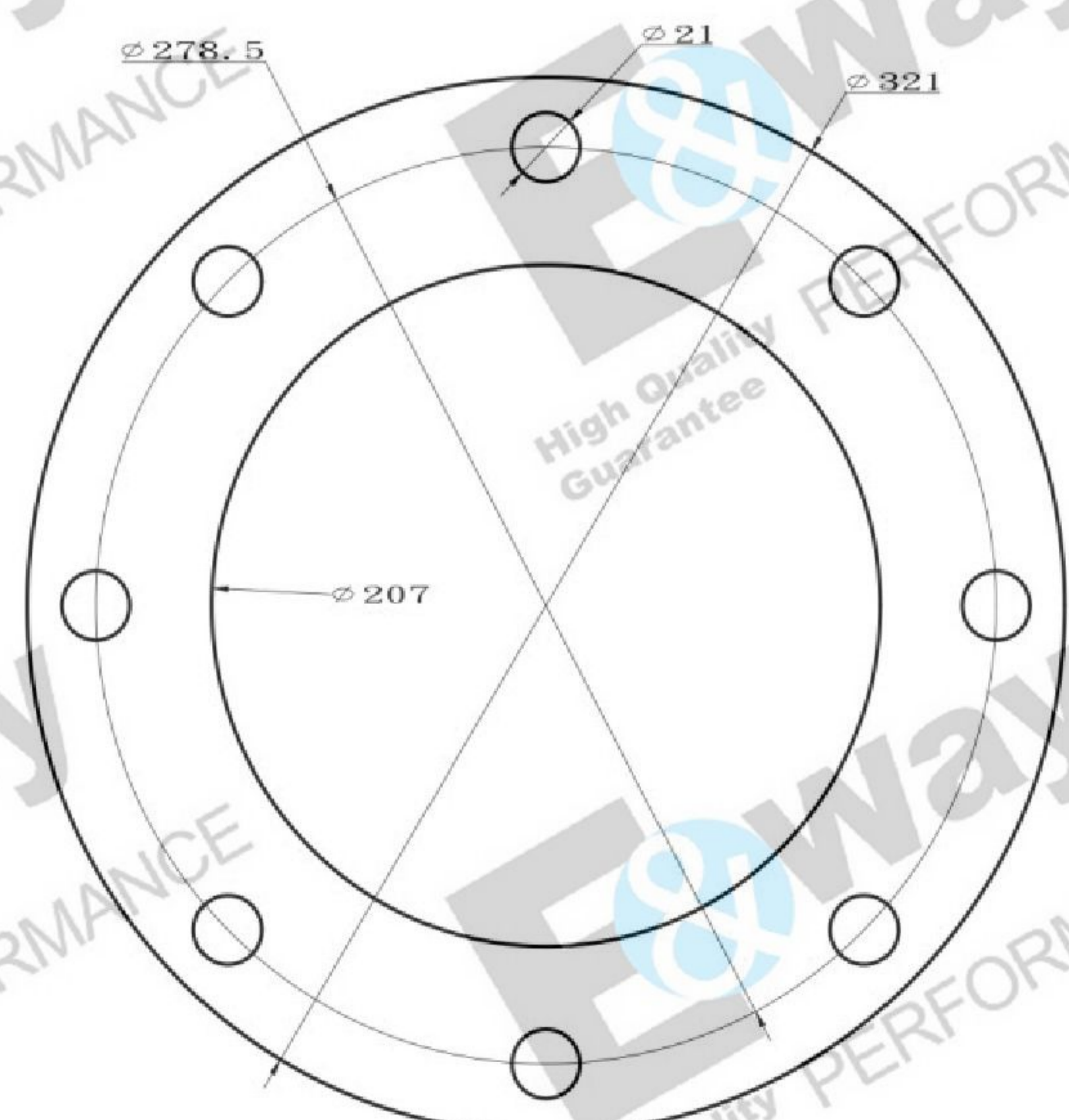
Inside Diameter(ID)=117.3/mm(4.61")
Outside Diameter(OD)=201.3/mm(7.93")
Bolt Circle=164.8/mm(6.48")
Bolt Hole=19.5/mm(0.76")
Thickness=1.6~2.0/mm(0.06"~0.08")
Material:Graphite(Mixed Steel)

EPO-008



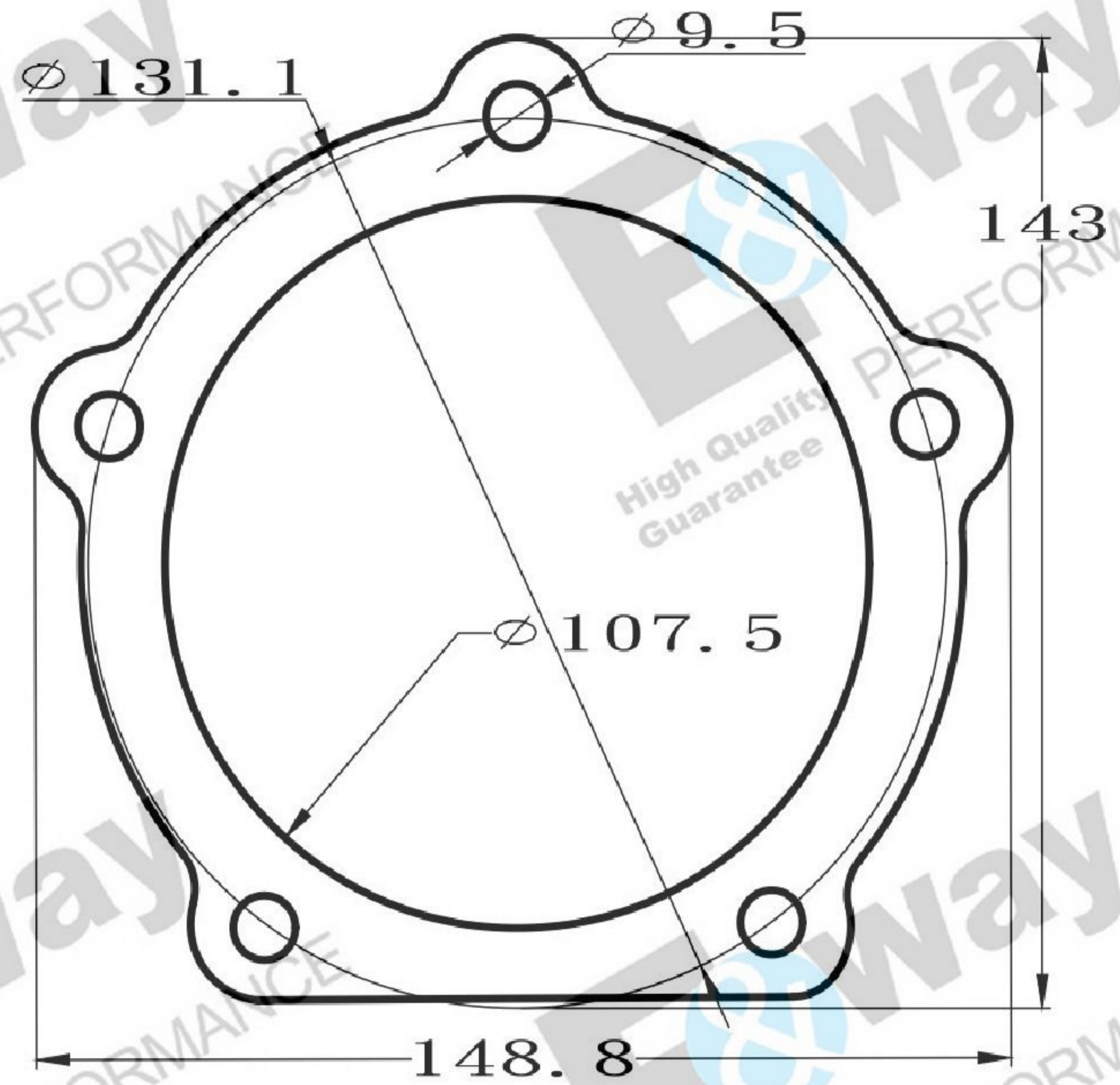
Inside Diameter(ID)=207/mm(8.14")
Outside Diameter(OD)=321/mm(12.64")
Bolt Circle=278.5/mm(10.96")
Bolt Hole=21/mm(0.82")
Thickness=1.6~2.0/mm(0.06"~0.08")
Material:Graphite(Mixed Steel)

EPO-009



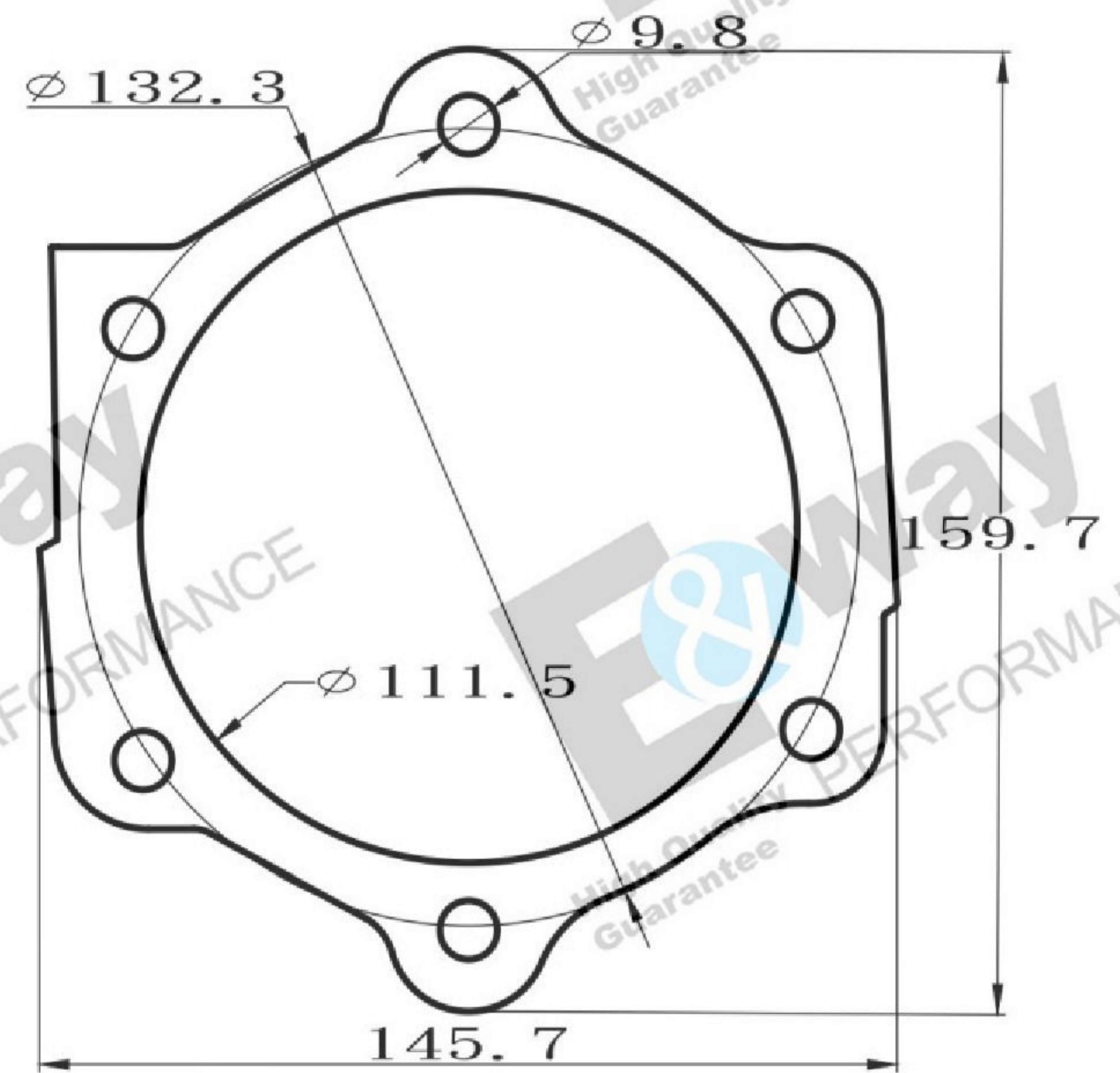
Other-Bolt Exhaust Flange/Muffler/Pipe Gasket P4

P4



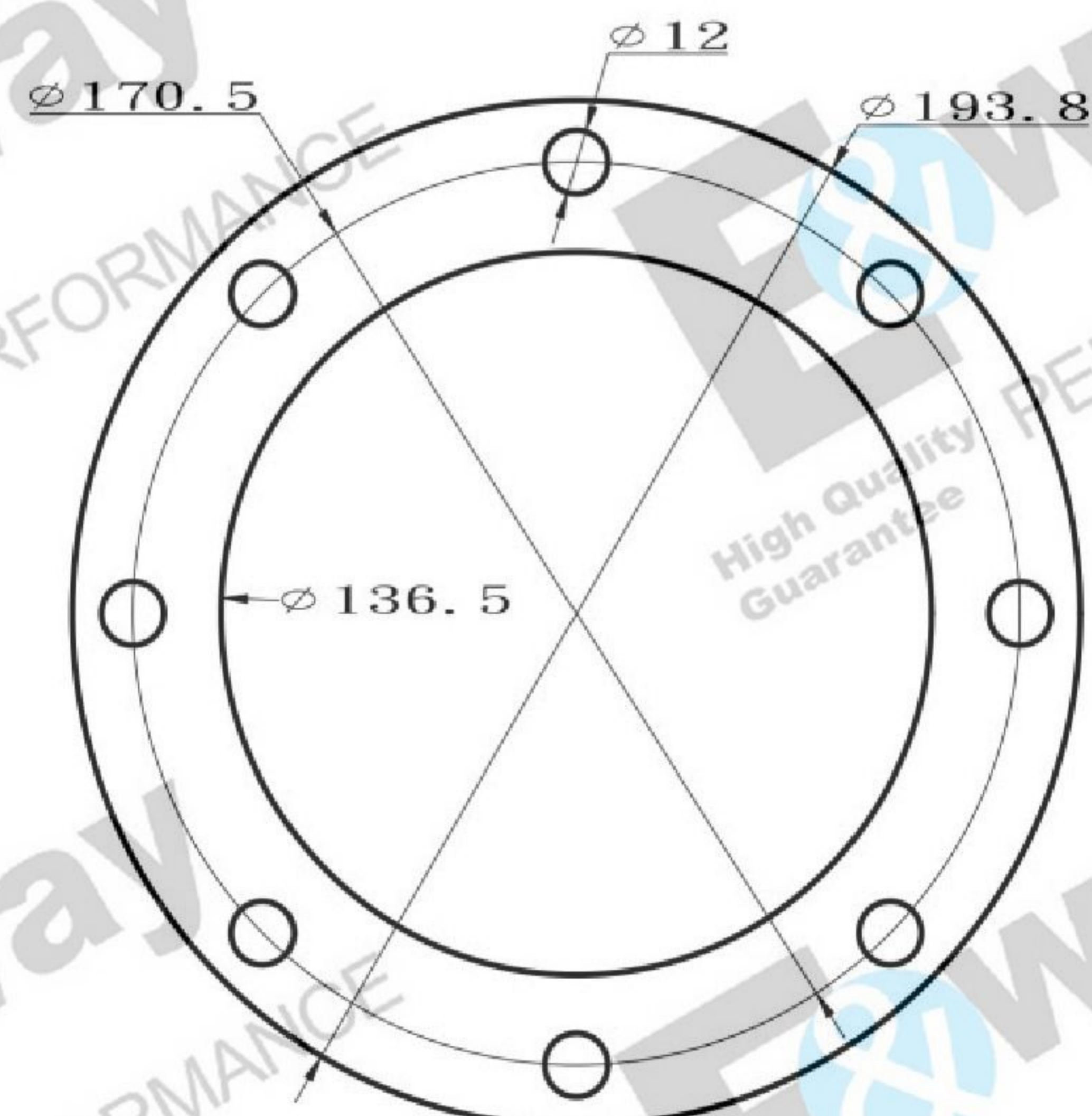
Inside Diameter(ID)=107.5/mm(4.23")
 Bolt Circle=131.1/mm(5.16")
 Bolt Hole=9.5/mm(0.37")
 Thickness=1.6~2.0/mm(0.06"~0.08")
 Material:Steel(Mixed Asbestos Free)

EPO-010



Inside Diameter(ID)=111.5/mm(4.38")
 Bolt Circle=132.3/mm(5.21")
 Bolt Hole=9.8/mm(0.38")
 Thickness=1.6~2.0/mm(0.06"~0.08")
 Material:Steel(Mixed Asbestos Free)

EPO-011

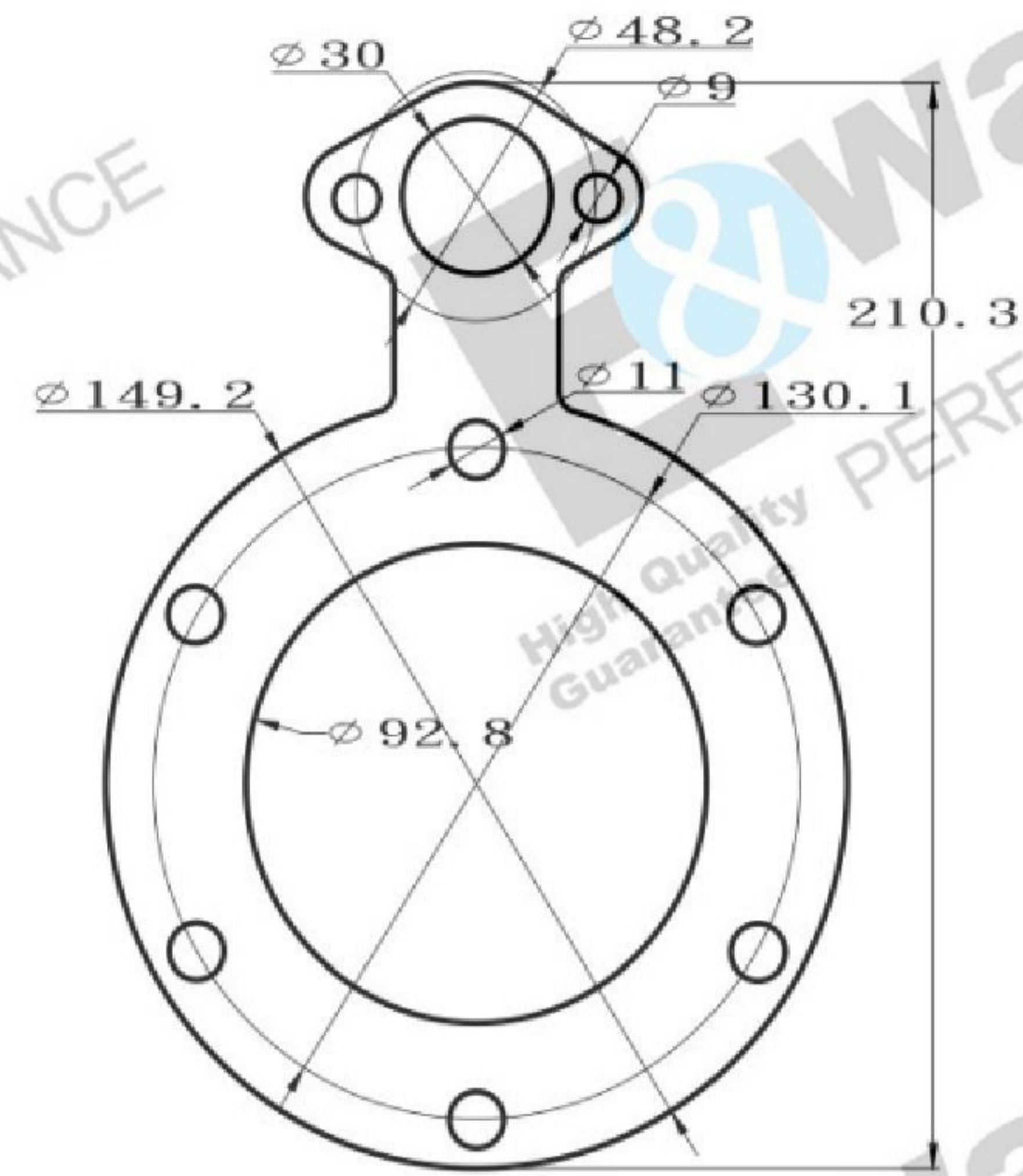


Inside Diameter(ID)=136.5/mm(5.37")
 Outside Diameter(OD)=193.8/mm(7.63")
 Bolt Circle=170.5/mm(6.71")
 Bolt Hole=12/mm(0.47")
 Thickness=1.6~2.0/mm(0.06"~0.08")
 Material:Graphite(Mixed Steel)+Stainless Steel(Hole)+Silicone Coated

EPO-012

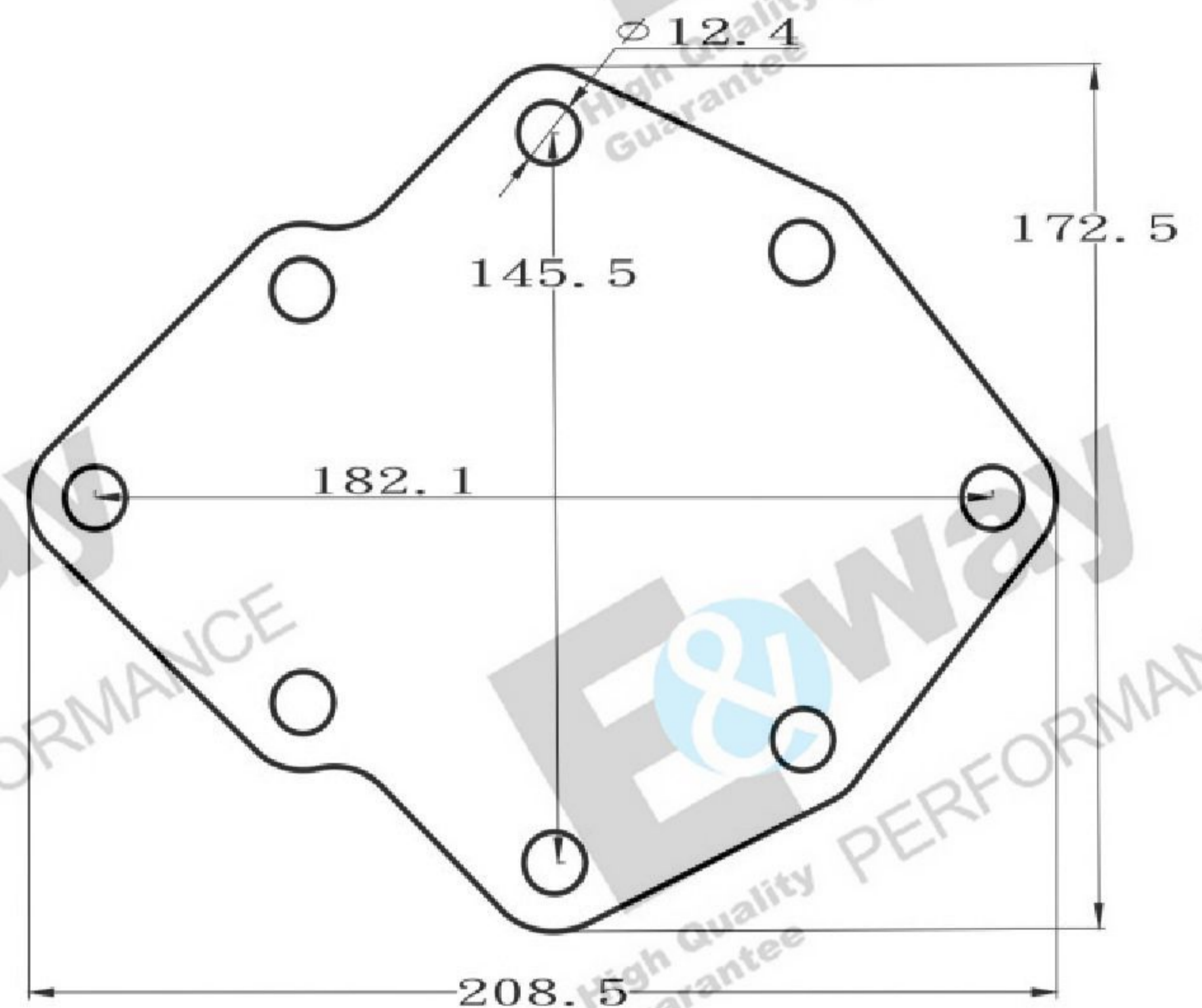
Other-Bolt Exhaust Flange/Muffler/Pipe Gasket P5

P5



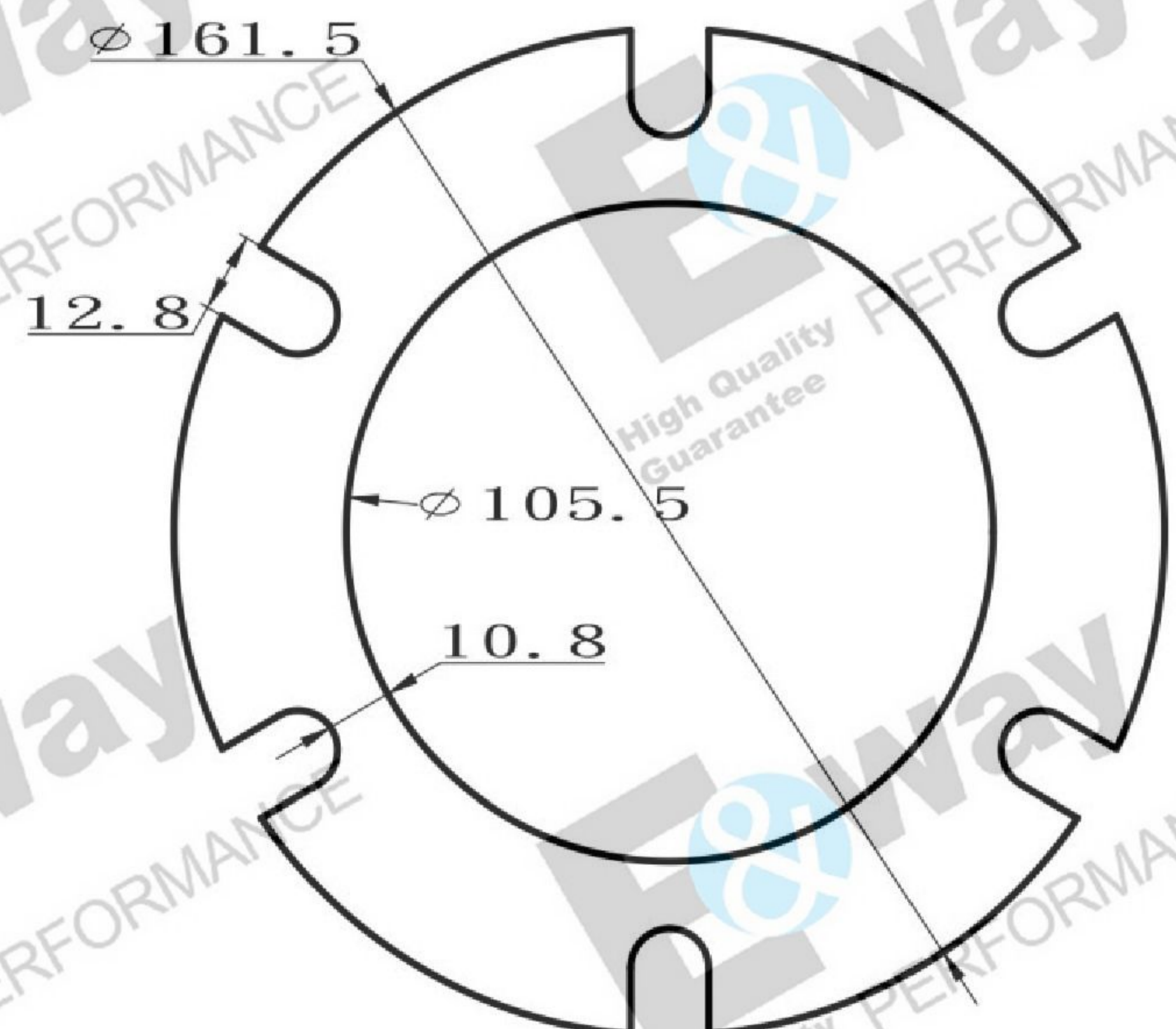
Inside Diameter(ID)=92.8/mm(3.65")
 Bolt Circle=130.1/mm(5.12")
 Bolt Hole=9/mm(0.35")11/mm(0.43")
 Thickness=1.6~2.0/mm(0.06"~0.08")
 Material:Graphite(Mixed Steel)+Stainless Steel(Hole)+Silicone Coated

EPO-013



Length=208.5/mm(8.20")
 Width=172.5/mm(6.79")
 Bolt Hole=12.4/mm(0.48")
 Thickness=1.6~2.0/mm(0.06"~0.08")
 Material:Graphite(Mixed Steel)+Steel+Silicone Coated

EPO-014

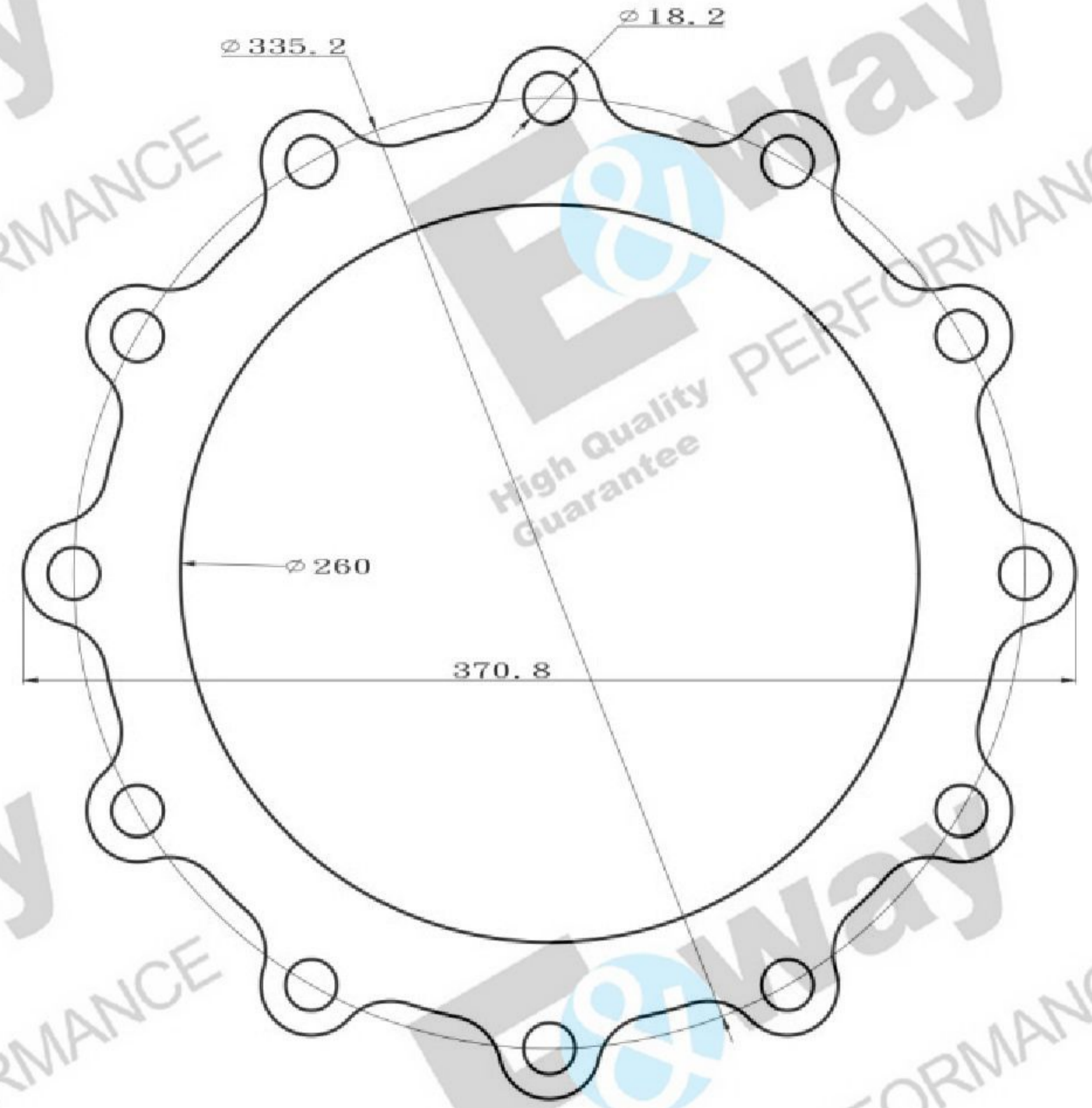


Inside Diameter(ID)=105.5/mm(4.15")
 Outside Diameter(OD)=161.5/mm(6.36")
 Bolt Hole=12.8/mm(0.50")
 Thickness=1.6~2.0/mm(0.06"~0.08")
 Material:Graphite(Mixed Steel)

EPO-015

Other-Bolt Exhaust Flange/Muffler/Pipe Gasket

P6



Inside Diameter(ID)=260/mm(10.23")

Outside Diameter(OD)=370.8/mm(14.59")

Bolt Circle=335.2/mm(13.19")

Bolt Hole=18.2/mm(0.71")

Thickness=0.3~0.4/mm(0.012"~0.016")

Material:Stainless Steel(Single-Layer)

EPO-016